



US00D637689S

(12) **United States Design Patent**
Hong

(10) **Patent No.:** **US D637,689 S**

(45) **Date of Patent:** **** May 10, 2011**

(54) **WATER PURIFIER**

(75) Inventor: **Byeong Sung Hong**, Seoul (KR)

(73) Assignee: **GS Home Shopping Co., Ltd.**, Seoul (KR)

(**) Term: **14 Years**

(21) Appl. No.: **29/362,574**

(22) Filed: **May 27, 2010**

(51) **LOC (9) Cl.** **23-01**

(52) **U.S. Cl.** **D23/207**

(58) **Field of Classification Search** D23/207,
D23/209; 210/460, 464, 282, 449
See application file for complete search history.

(56) **References Cited**

U.S. PATENT DOCUMENTS

D365,623	S	*	12/1995	De Souza	D23/207
6,780,316	B2	*	8/2004	Haynes et al.	210/238
D504,935	S	*	5/2005	Taneike et al.	D23/207
D590,044	S	*	4/2009	Cho	D23/207
D596,702	S	*	7/2009	Chen	D23/207
D618,301	S	*	6/2010	Cho	D23/207

* cited by examiner

Primary Examiner — Robin V Webster

(74) *Attorney, Agent, or Firm* — Saliwanchik, Lloyd & Eisenschenk

(57) **CLAIM**

The ornamental design for a water purifier, as shown and described.

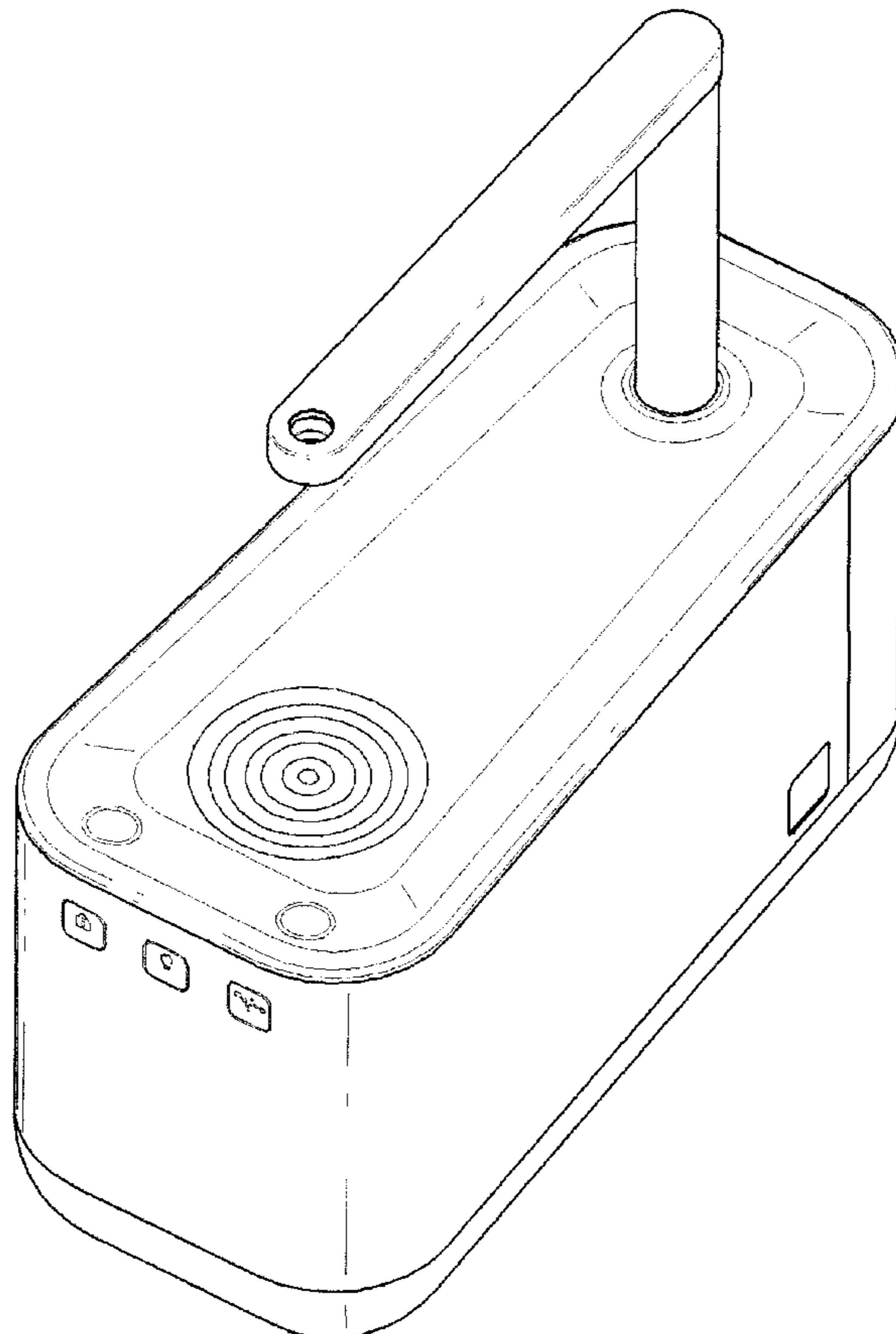
DESCRIPTION

FIG. 1 is a front, right perspective view of a water purifier showing my new design;
FIG. 2 is a front elevational view thereof;
FIG. 3 is a rear elevational view thereof;
FIG. 4 is a left side elevational view thereof;
FIG. 5 is a right side elevational view thereof;
FIG. 6 is a top plan view thereof;
FIG. 7 is a bottom plan view thereof; and,
FIG. 8 is a top plan view thereof, illustrating the swivel nozzle rotated at a predetermined angle. The dashed lines indicate the unrotated position.

This claimed water purifier is provided in a shape where trapezoidal corner portions are processed to be round and thereby the overall design shape provides a unified creative esthetic sense. Two buttons (cold water/warm water buttons) and a swivel nozzle having a “T” shape are provided in an upper portion of the water purifier.

The portions shown in broken lines are for illustrative purposes and form no part of the claimed design.

1 Claim, 8 Drawing Sheets



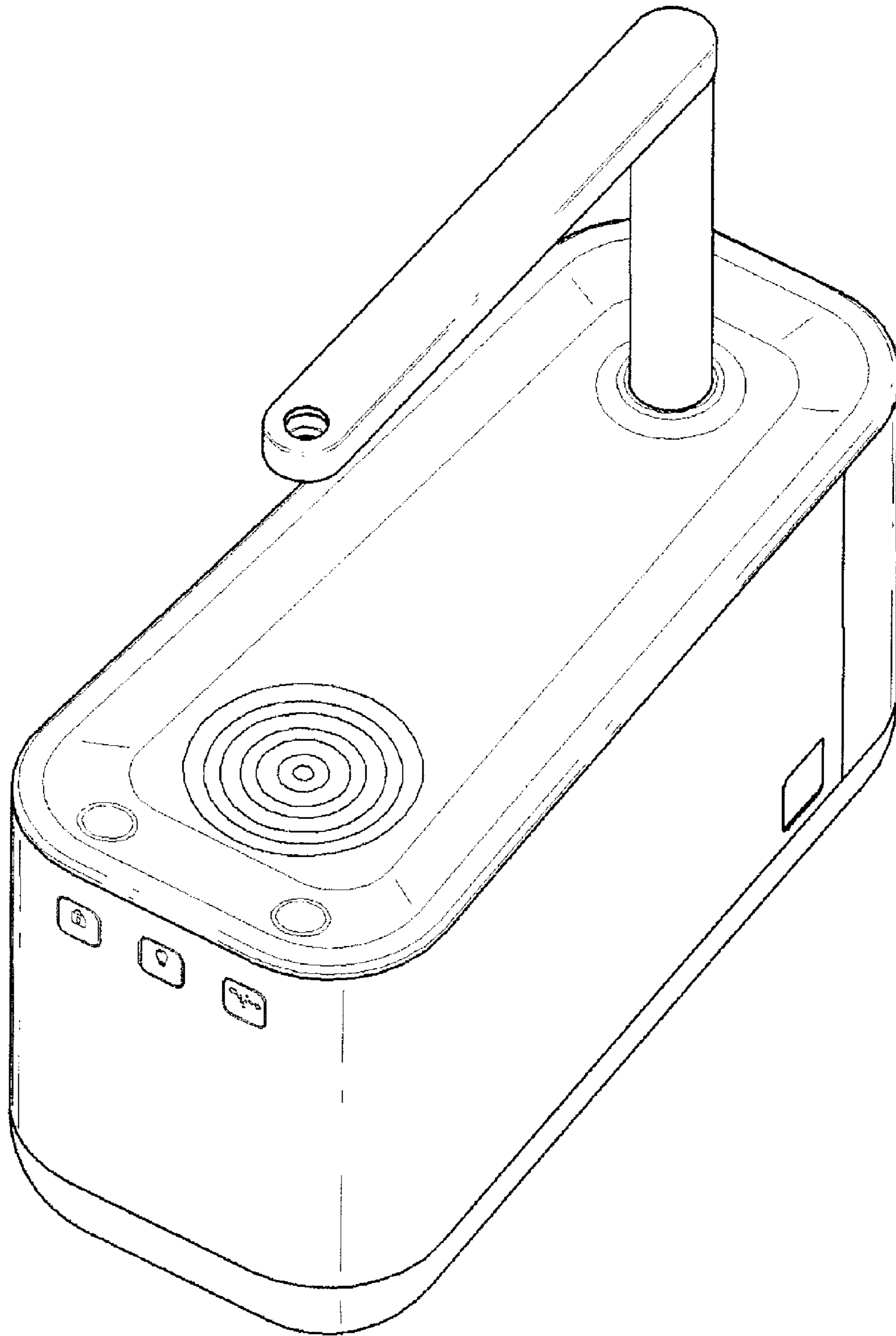


FIG. 1

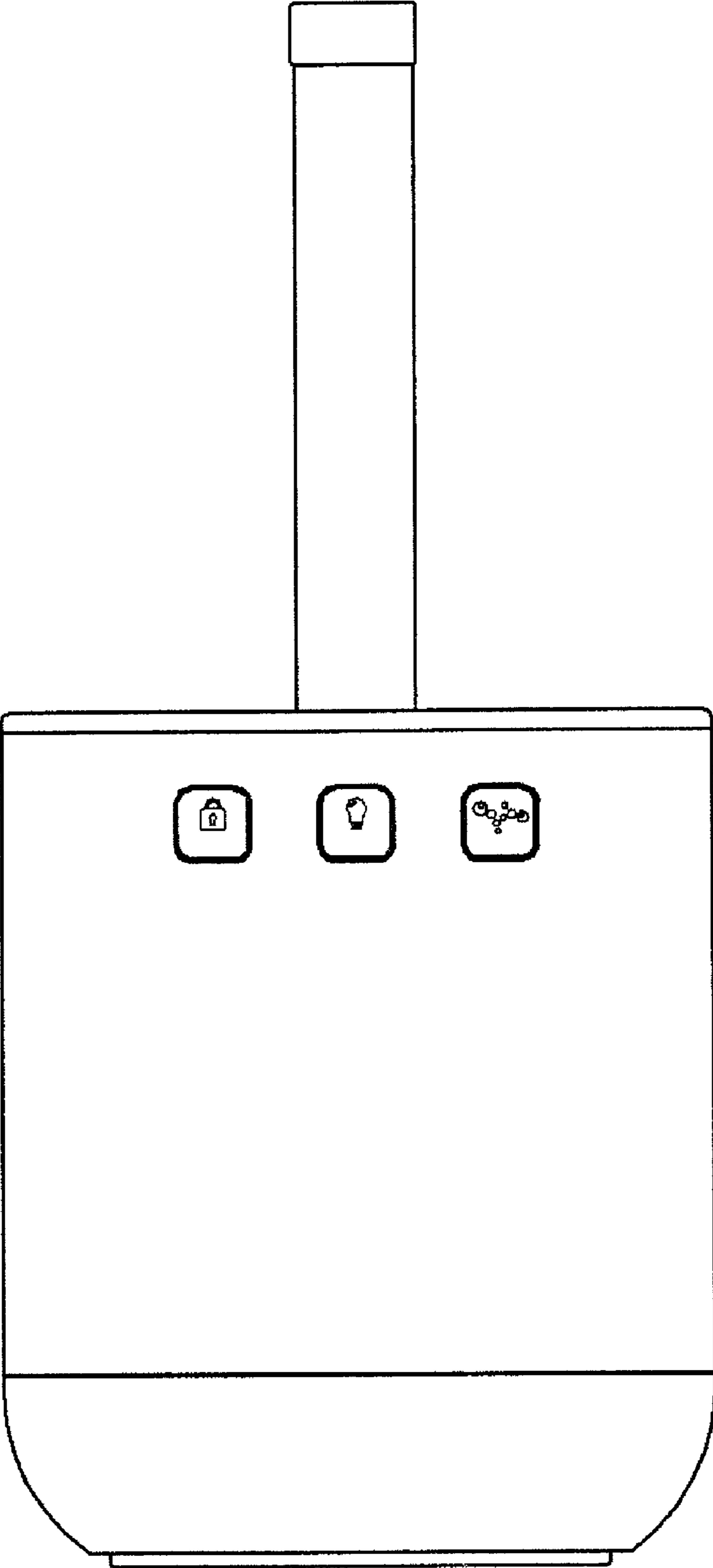


FIG. 2

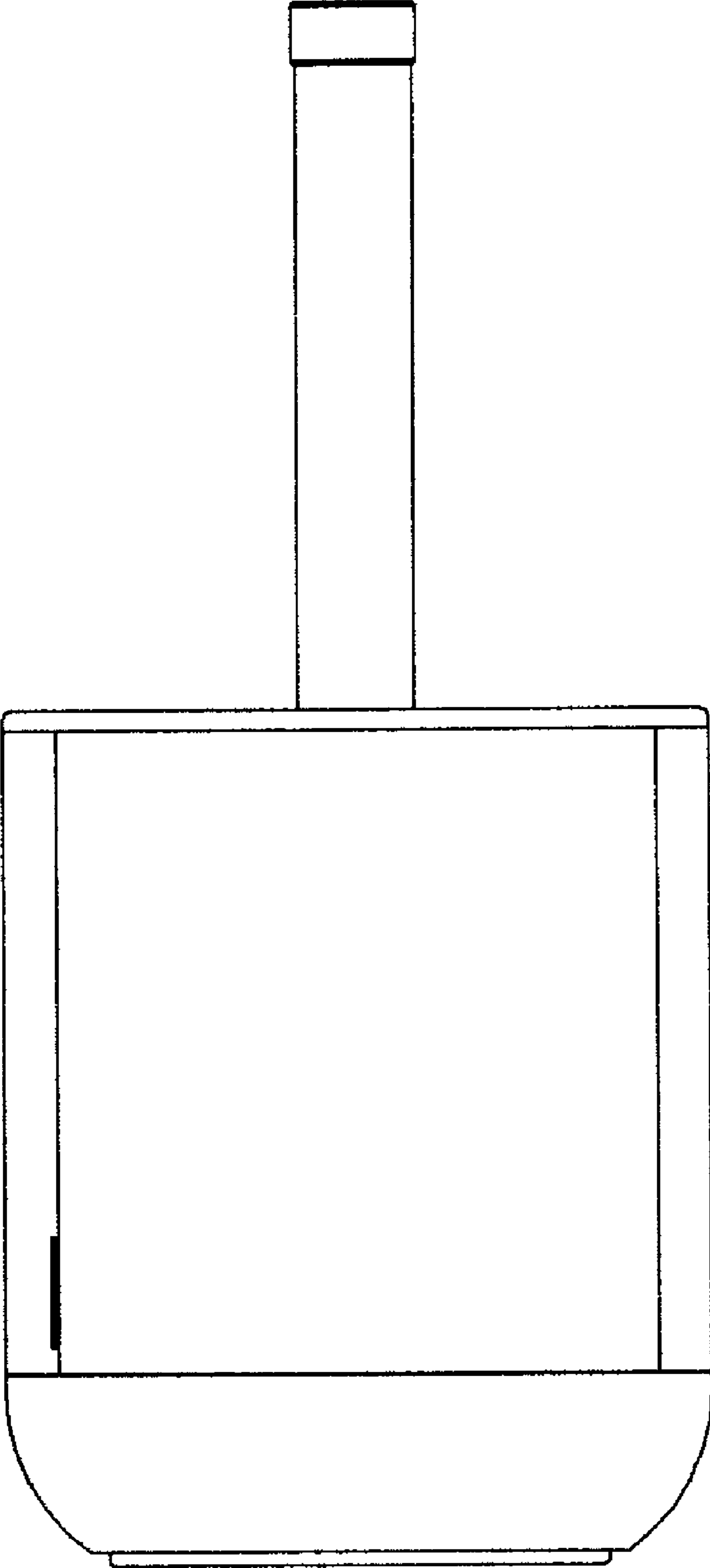


FIG. 3

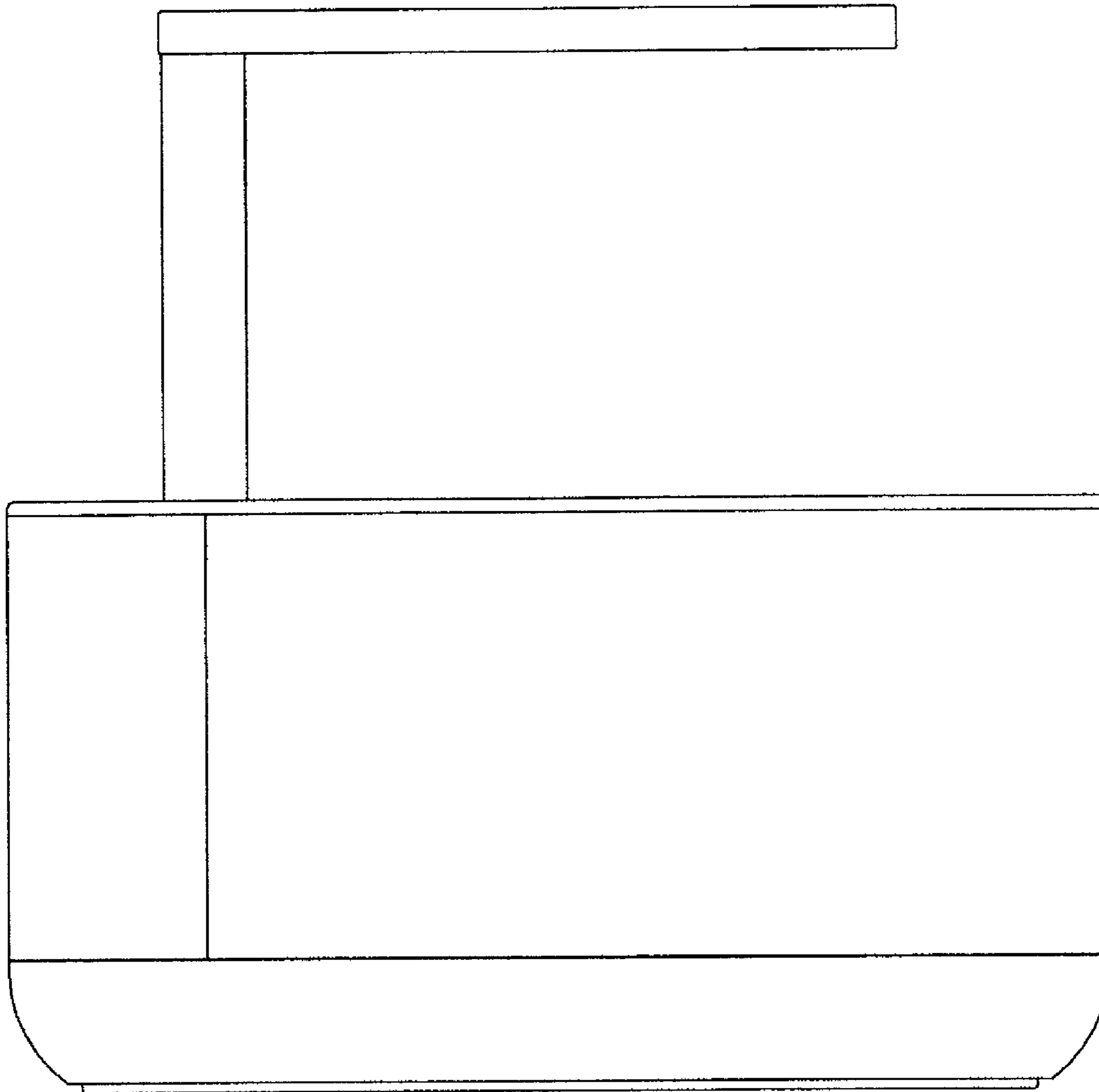


FIG. 4

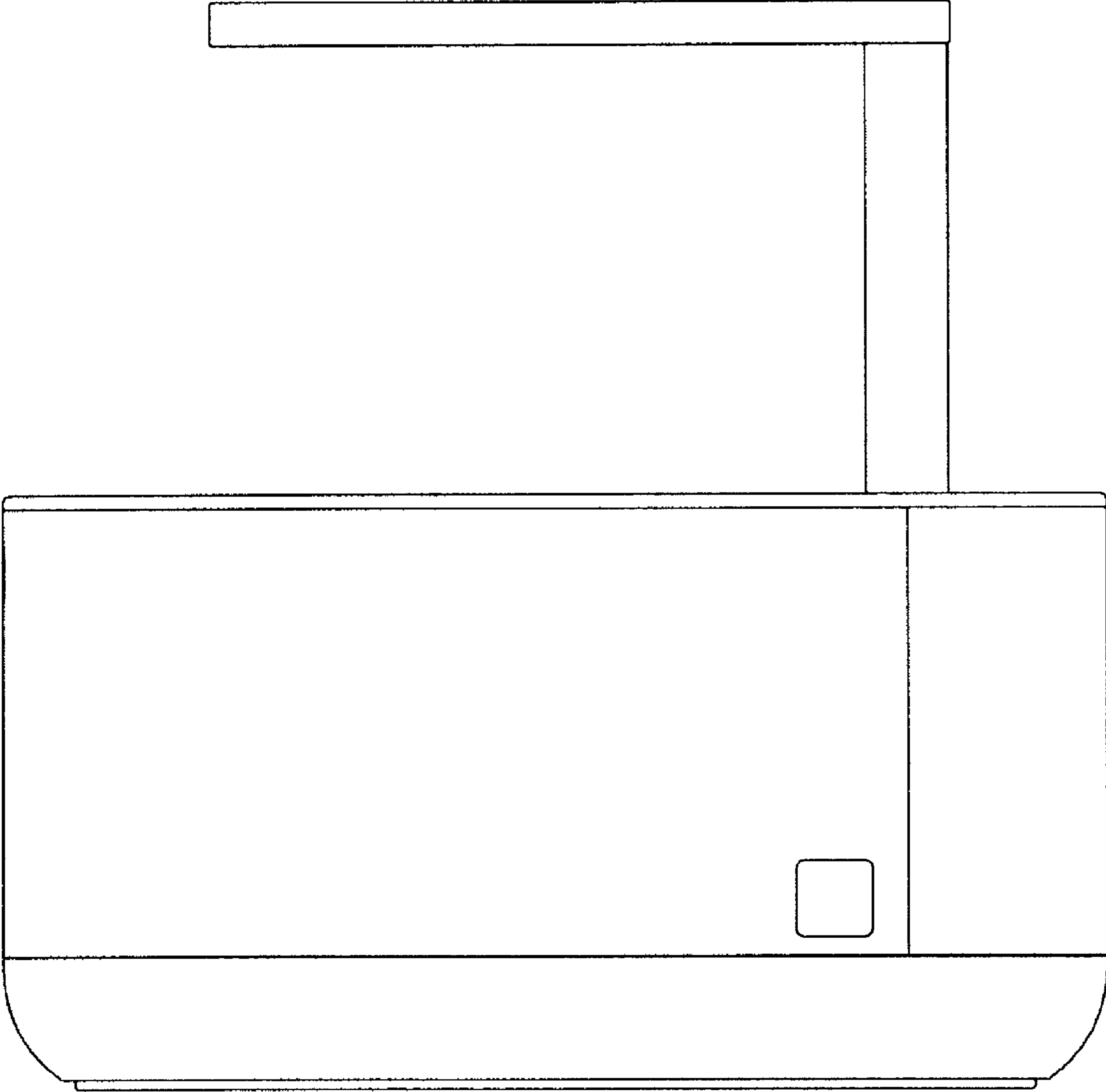


FIG. 5

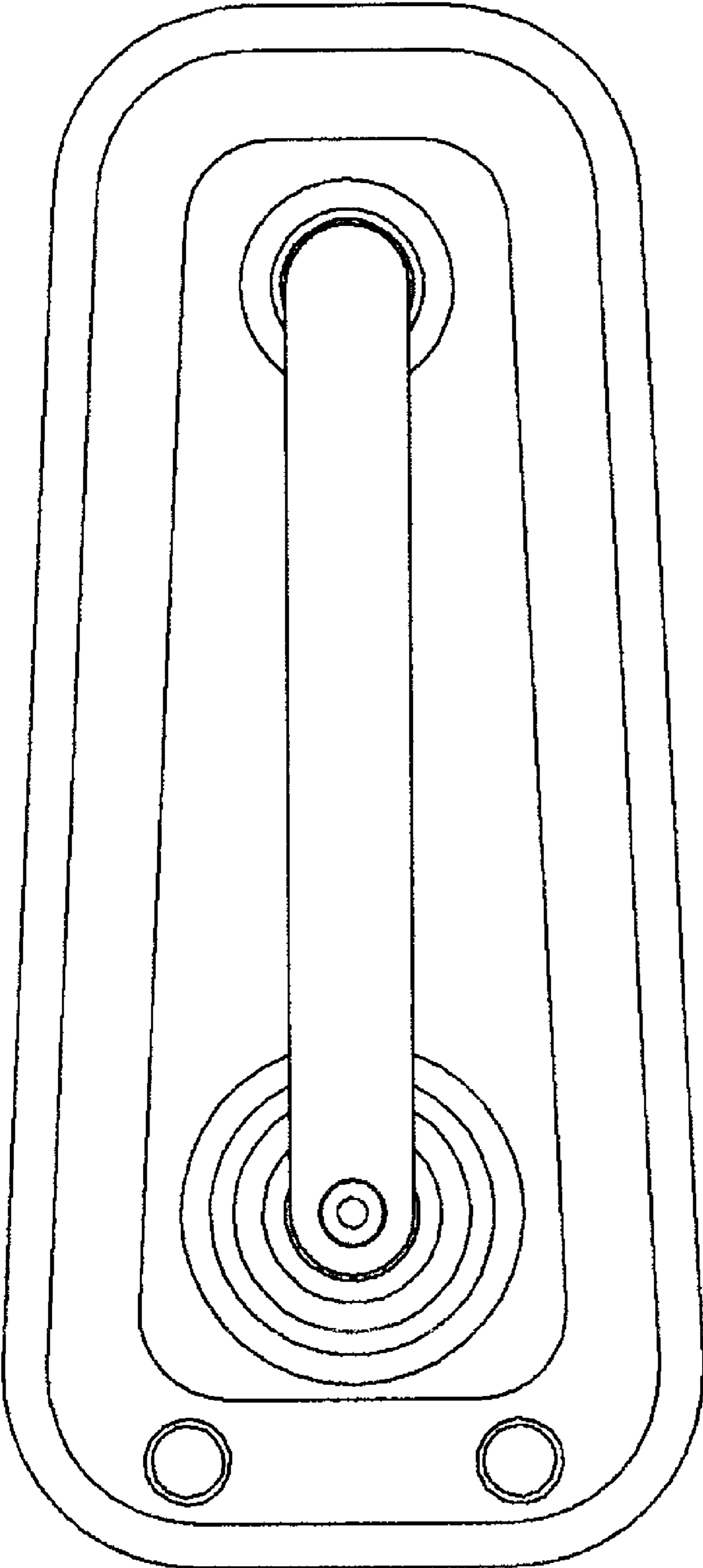


FIG. 6

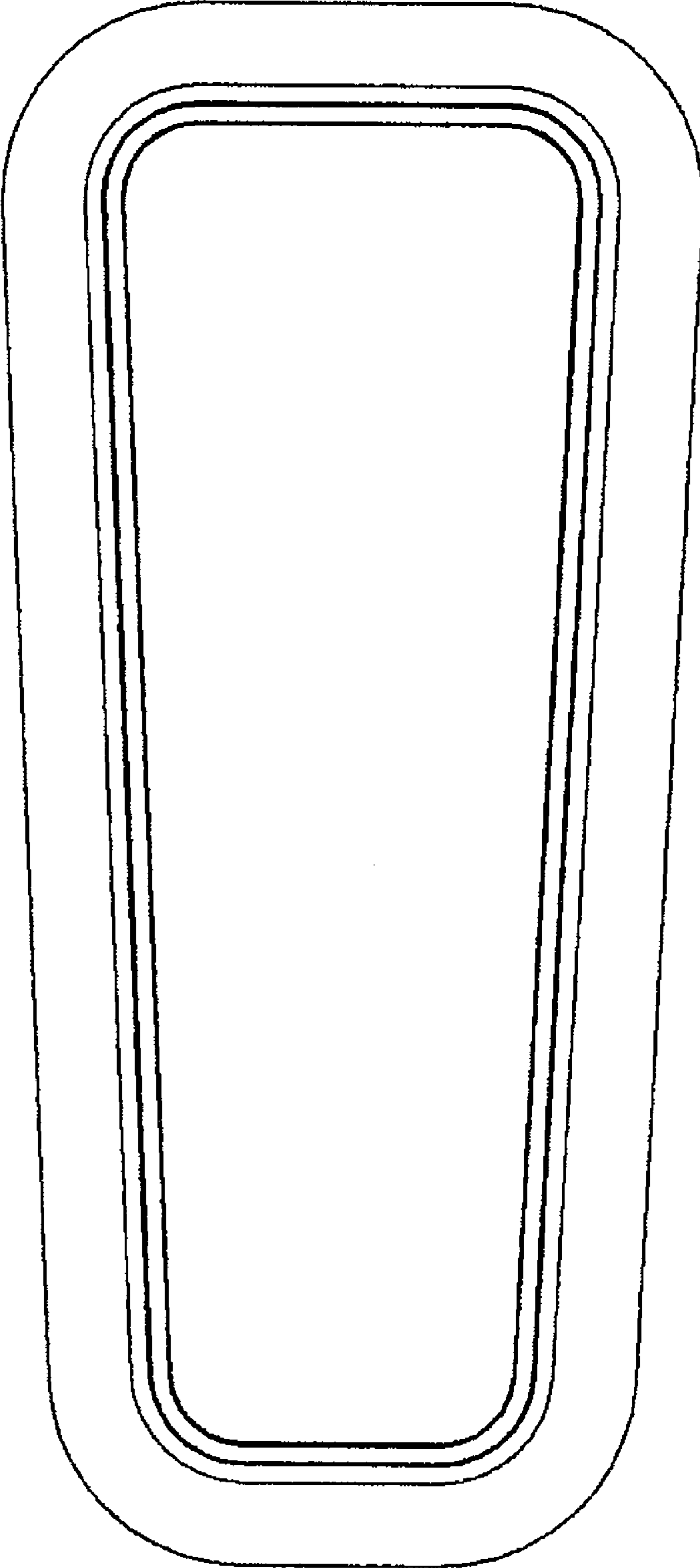


FIG. 7

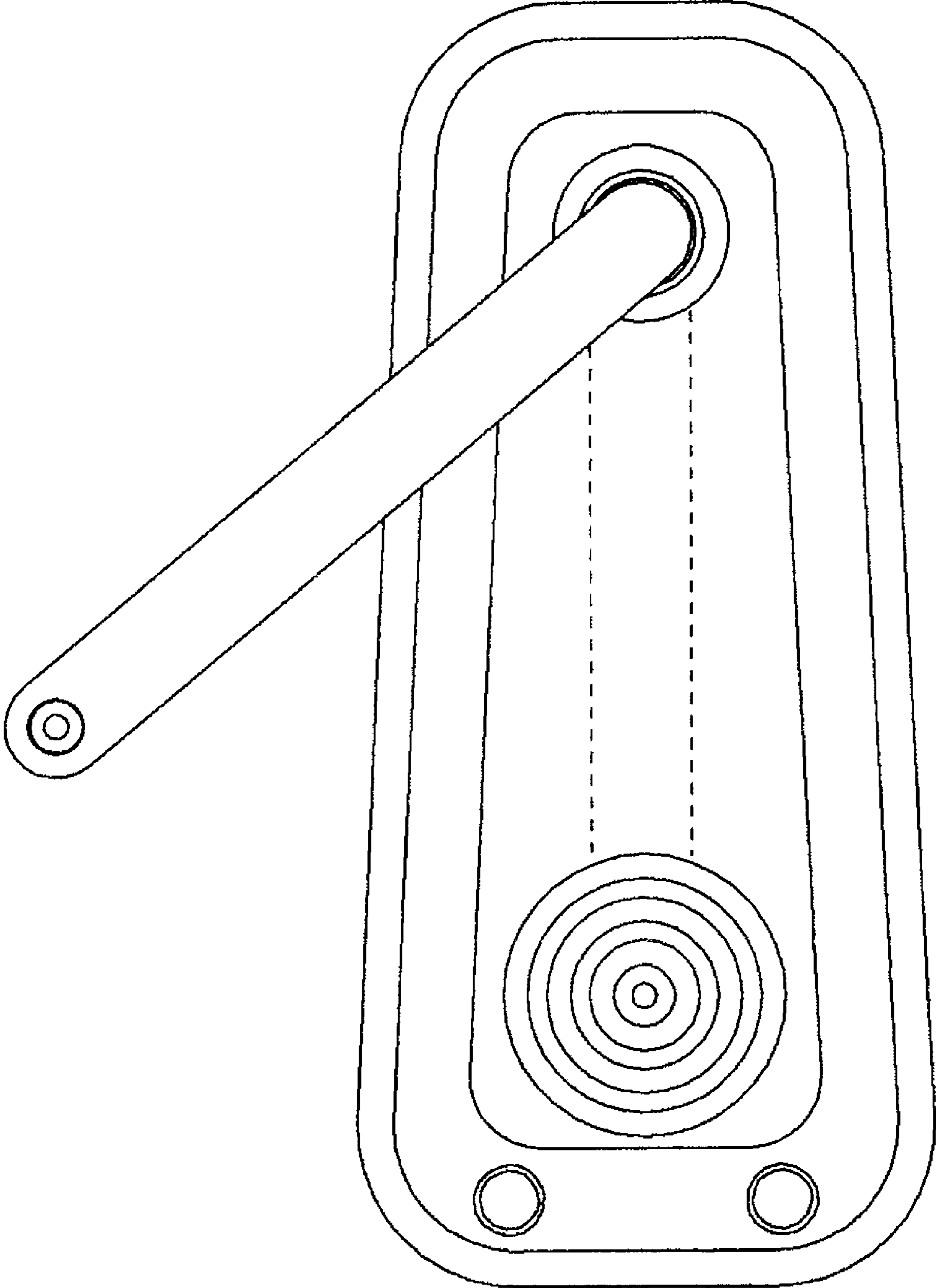


FIG. 8