



US00D637685S

(12) **United States Design Patent**
Pruitt

(10) **Patent No.:** **US D637,685 S**

(45) **Date of Patent:** **** May 10, 2011**

(54) **FISH LURE**

(76) Inventor: **James N. Pruitt**, Siloam Springs, AR
(US)

(**) Term: **14 Years**

(21) Appl. No.: **29/362,268**

(22) Filed: **May 21, 2010**

(51) **LOC (9) Cl.** **22-05**

(52) **U.S. Cl.** **D22/129**

(58) **Field of Classification Search** D22/126-133;
43/42.5, 42.05, 42.06, 42.31, 45.51, 42.32,
43/42.33, 42.34, 43.1, 43.13, 42.39
See application file for complete search history.

(56) **References Cited**

U.S. PATENT DOCUMENTS

D300,164 S *	3/1989	Gauthier	D22/129
D363,113 S *	10/1995	Hazelquist	D22/129
D472,955 S *	4/2003	Hyneman	D22/129
D495,396 S *	8/2004	Yamaguchi	D22/129
D521,103 S *	5/2006	Franco	D22/129
D579,512 S *	10/2008	Renosky	D22/129

* cited by examiner

Primary Examiner — Catherine R Oliver

(74) *Attorney, Agent, or Firm* — QuickPatents, Inc.; Kevin Prince

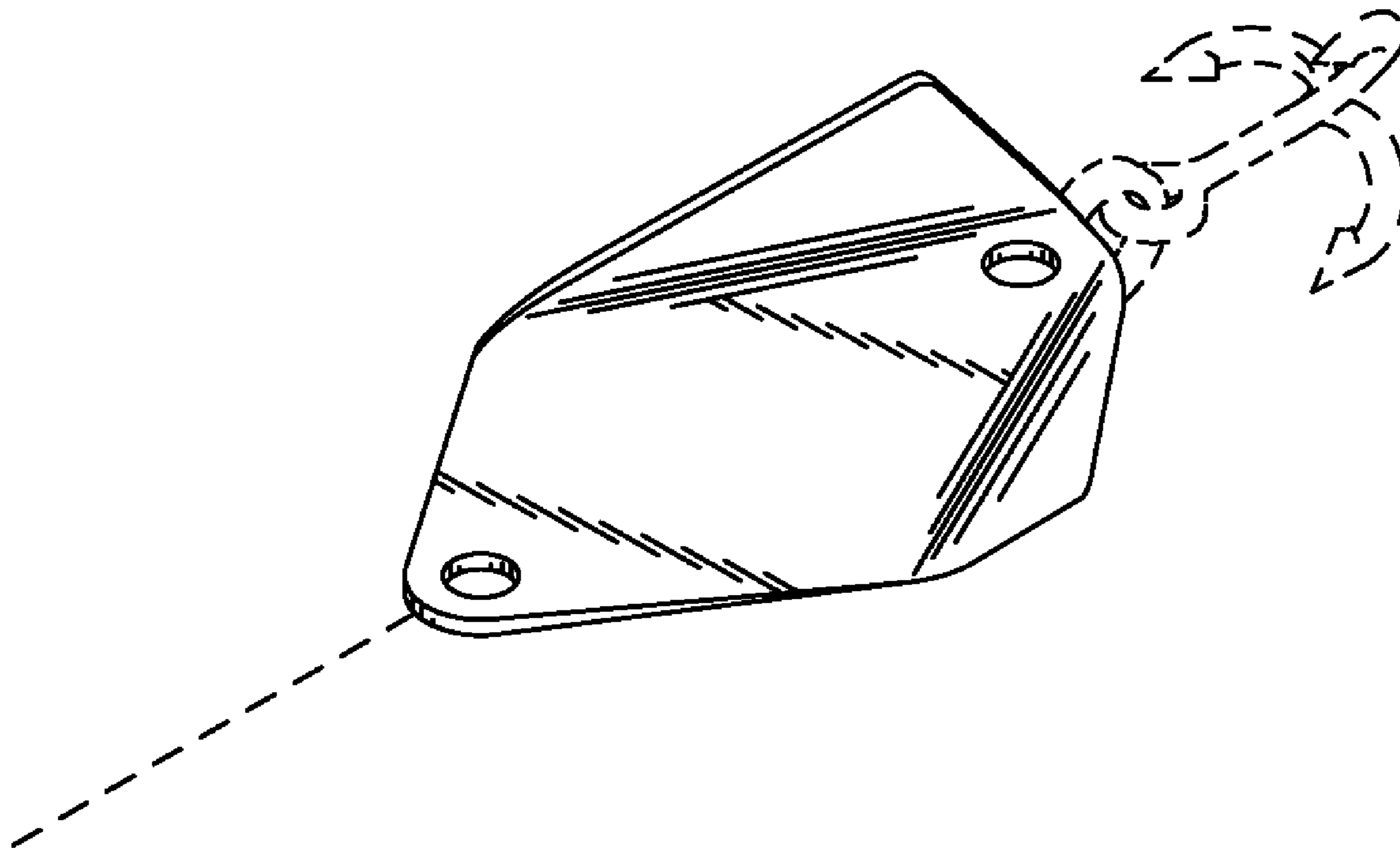
(57) **CLAIM**

What is claimed is the ornamental design for a fish lure, as shown and described.

DESCRIPTION

FIG. 1 is a perspective view of a fish lure, showing the new design;
FIG. 2 is a front elevational view thereof;
FIG. 3 is a rear elevational view thereof;
FIG. 4 is a left-side elevational view thereof;
FIG. 5 is a right-side elevational view thereof; and,
FIG. 6 is a top plan view thereof, the bottom plan view being a mirror image thereof.
The broken lines showing a fishing line and fishing hook in FIG. 1 are included for the purpose of illustrating the invention in use, and form no part of the claimed design.

1 Claim, 1 Drawing Sheet



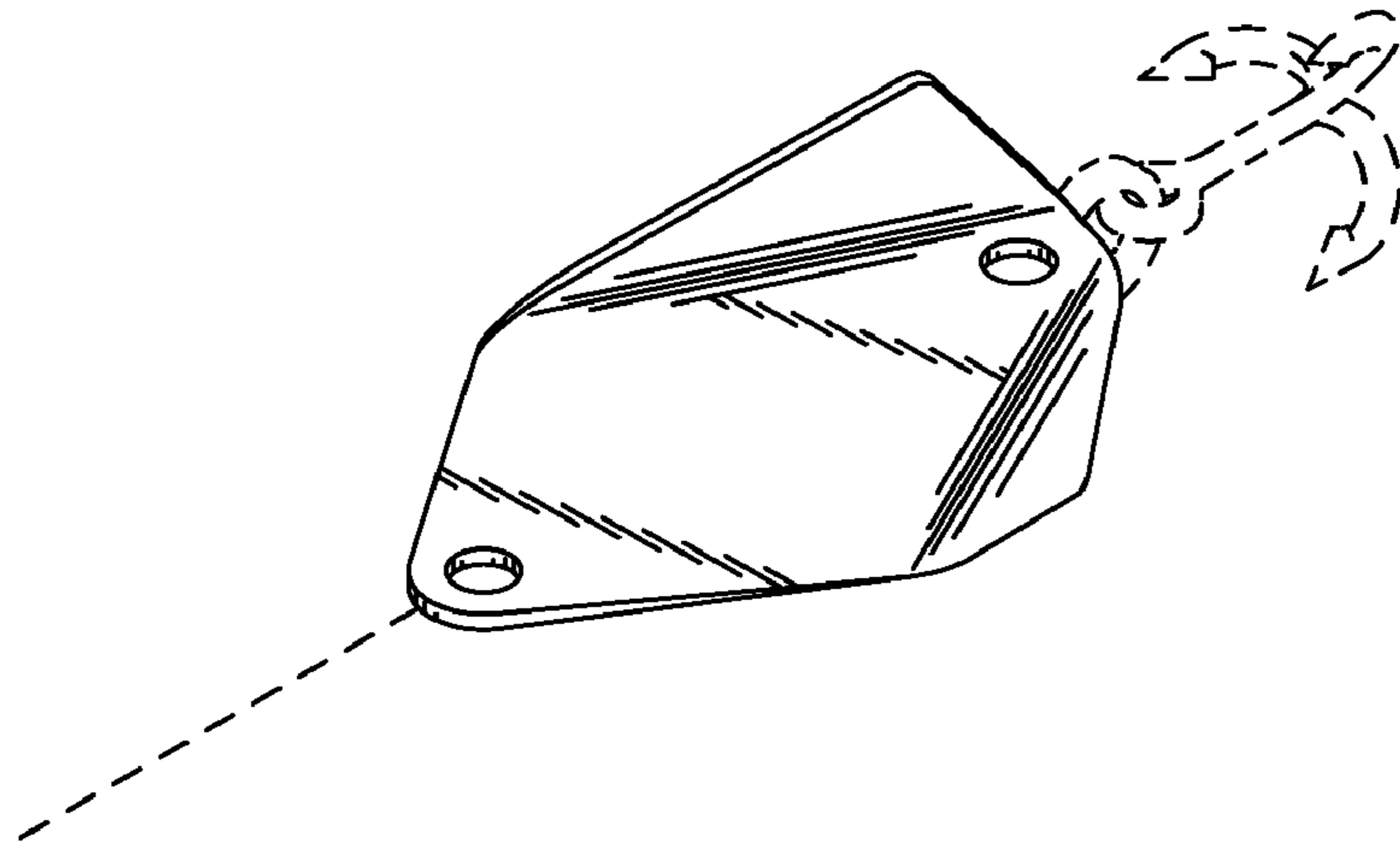


FIG. 1

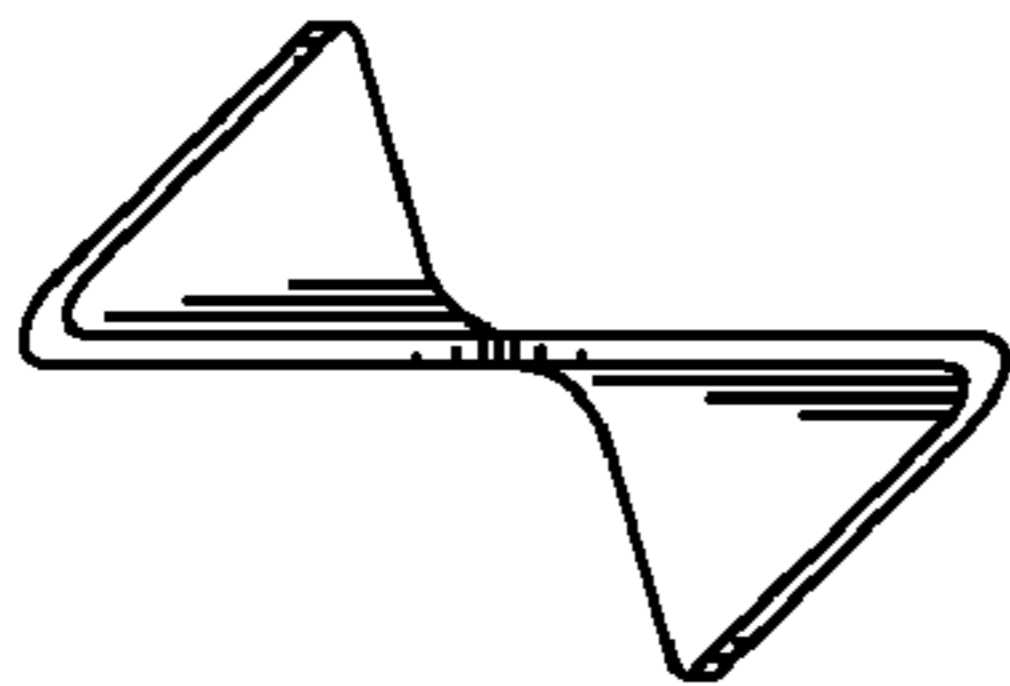


FIG. 2

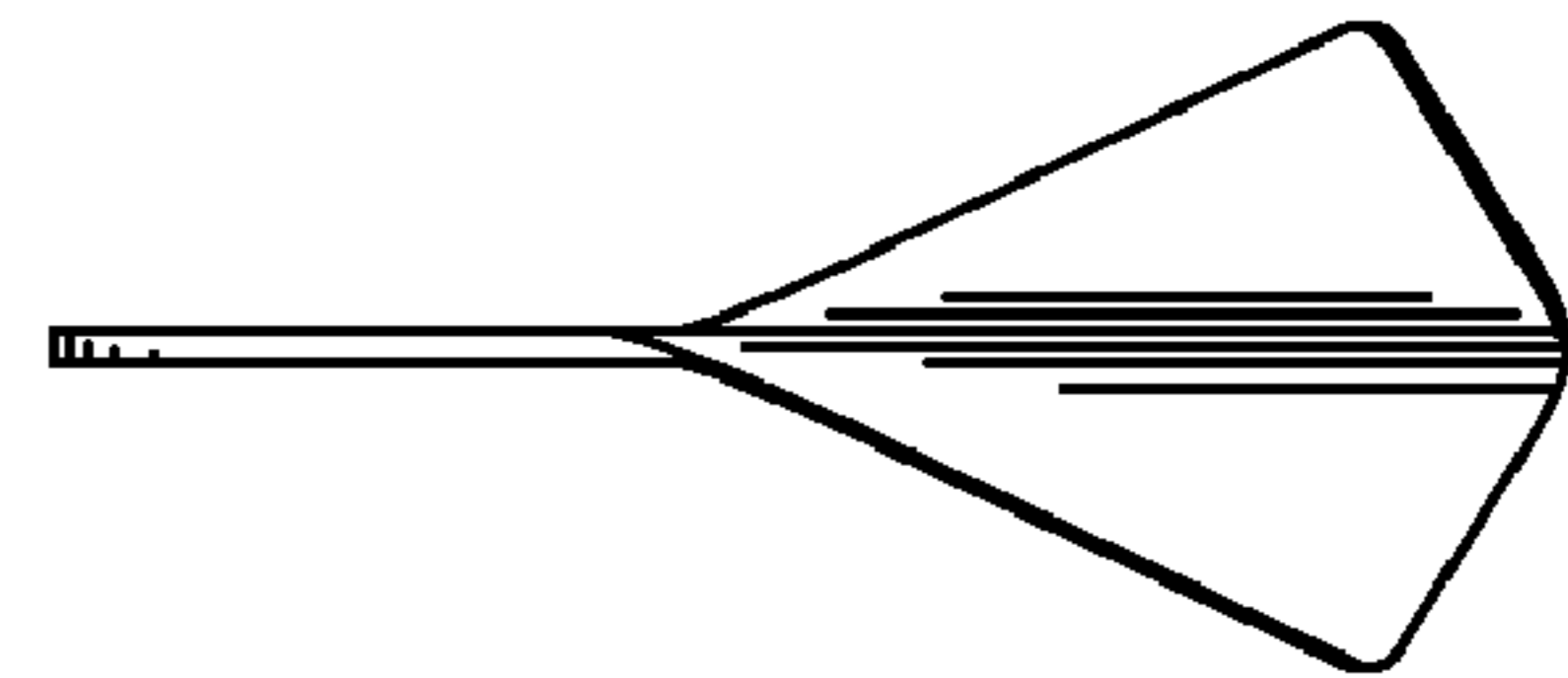


FIG. 5

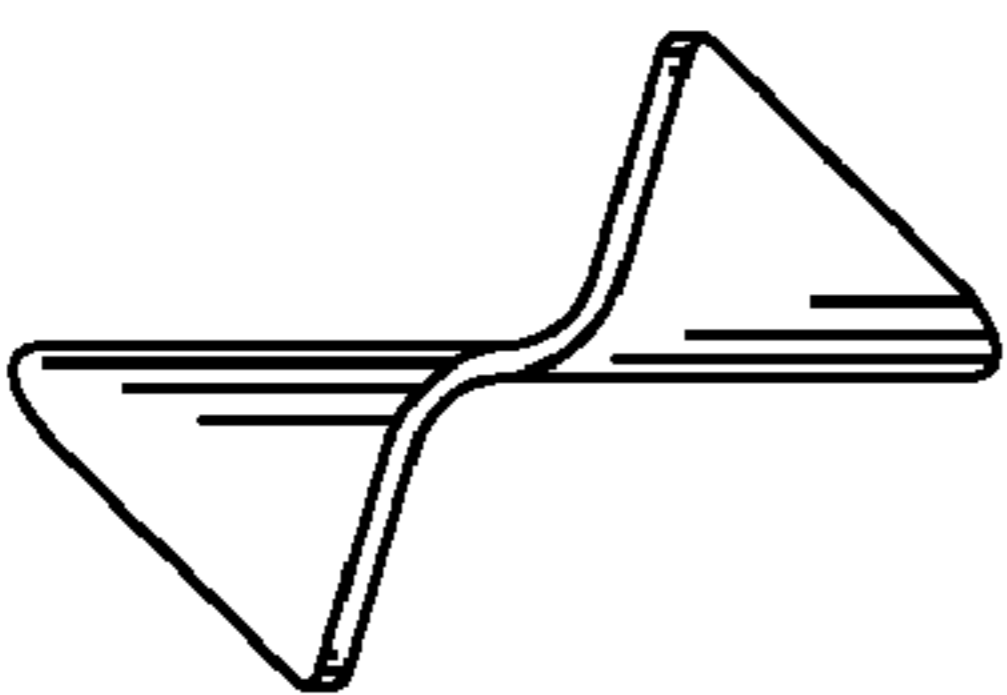


FIG. 3

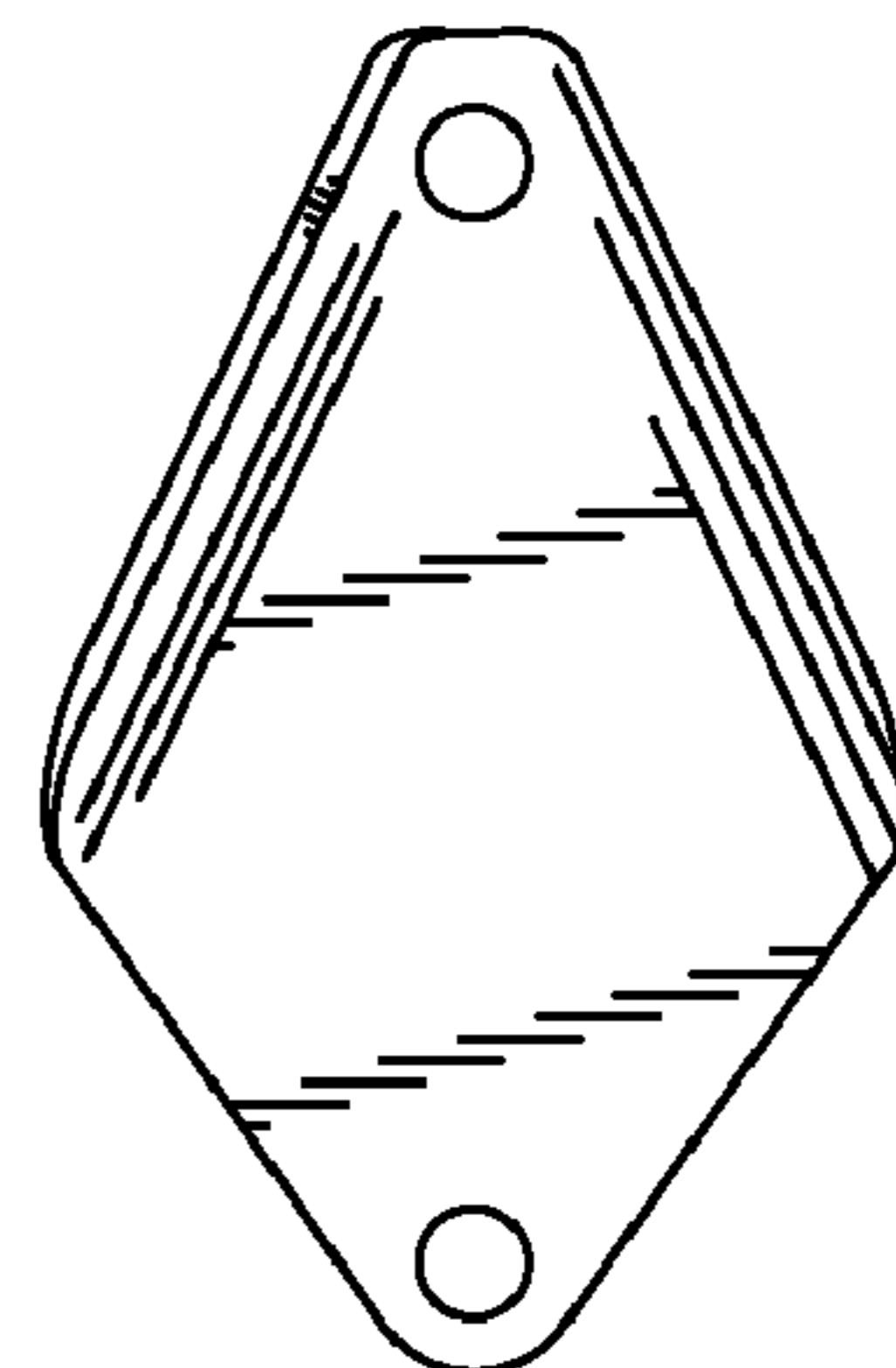


FIG. 6

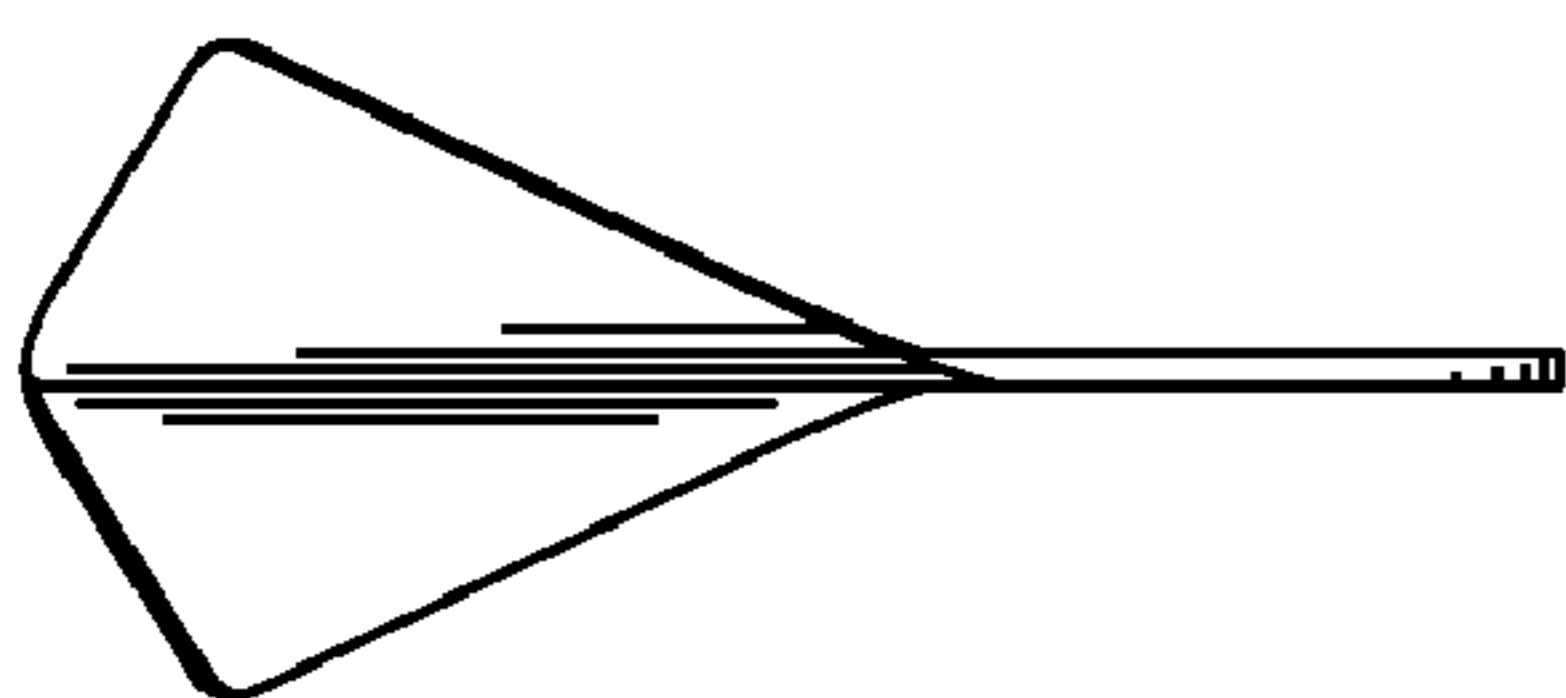


FIG. 4