



US00D637684S

(12) **United States Design Patent**  
**Kimmel et al.**

(10) **Patent No.:** **US D637,684 S**

(45) **Date of Patent:** **\*\* May 10, 2011**

(54) **FIREARM HANDGUARD**

(75) Inventors: **James E. Kimmel**, Eagle Point, OR (US); **Joseph A. Ivory**, Eagle Point, OR (US)

(73) Assignee: **Apex Machining Company, Inc.**, White City, OR (US)

(\*\*) Term: **14 Years**

(21) Appl. No.: **29/361,266**

(22) Filed: **May 7, 2010**

(51) **LOC (9) Cl.** ..... **22-01**

(52) **U.S. Cl.** ..... **D22/108**

(58) **Field of Classification Search** ..... D22/100, D22/101, 103, 104, 108, 199; D21/572, D21/573; 42/51, 71.01, 75.01, 75.02, 90, 42/94, 134, 136, 139, 125, 72, 111; 362/110; 89/40.06, 41.19, 37.04, 33.04, 191.01, 200-204; 124/67, 66, 72, 74

See application file for complete search history.

(56) **References Cited**

**U.S. PATENT DOCUMENTS**

4,742,636	A	5/1988	Swan	
D300,161	S *	3/1989	Baldus et al.	..... D22/108
4,845,871	A	7/1989	Swan	
5,142,806	A	9/1992	Swan	
5,276,988	A	1/1994	Swan	
5,343,650	A	9/1994	Swan	
5,533,292	A	7/1996	Swan	
6,490,822	B1	12/2002	Swan	
6,499,245	B1	12/2002	Swan	
6,618,976	B1	9/2003	Swan	
6,860,053	B2 *	3/2005	Christiansen	..... 42/71.02
RE39,465	E	1/2007	Swan	
7,204,052	B2	4/2007	Swan	
7,216,451	B1	5/2007	Troy	

RE40,216	E	4/2008	Swan
7,356,962	B2	4/2008	Swan
7,458,179	B2	12/2008	Swan
7,493,721	B2	2/2009	Swan
2006/0260169	A1	11/2006	Samson et al.

**OTHER PUBLICATIONS**

Memorandum and Order, dated May 5, 2009; issued in Civil Action No. 07-11576-PBS, United States District Court for the District of Massachusetts.

\* cited by examiner

*Primary Examiner* — T. Chase Nelson

*Assistant Examiner* — Michael Pratt

(74) *Attorney, Agent, or Firm* — Klarquist Sparkman, LLP

(57) **CLAIM**

We claim the ornamental design for a firearm handguard, as shown and described.

**DESCRIPTION**

FIG. 1 is a bottom, right side isometric view of a firearm handguard, which shows the lower right side and distal end of the handguard.

FIG. 2 is a bottom, plan view of the handguard shown in FIG. 1.

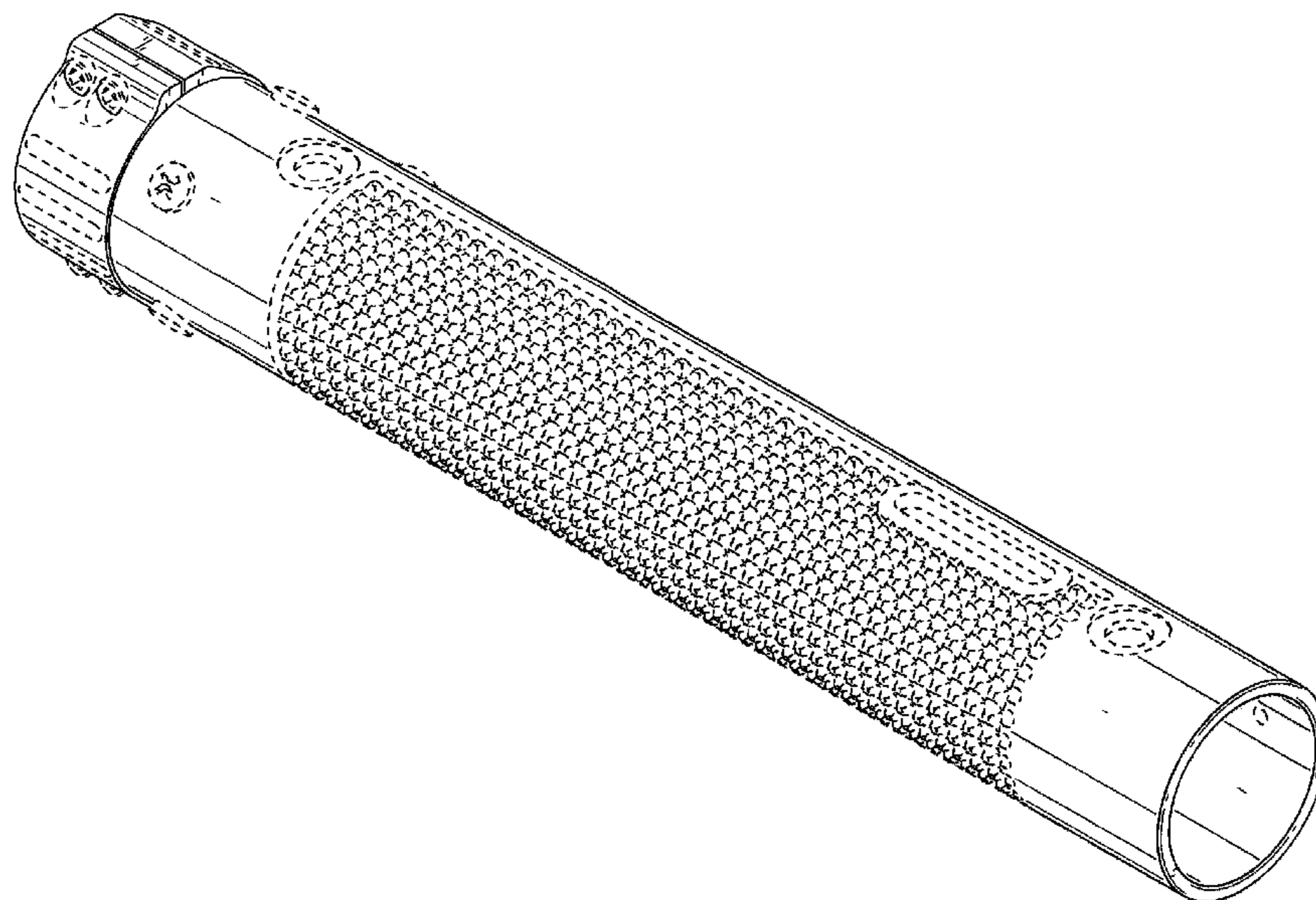
FIG. 3 is a top, plan view of the handguard shown in FIG. 1. FIG. 4 is an end elevation view of the handguard shown in FIG. 1 showing the proximal end of the handguard.

FIG. 5 is an end elevation view of the handguard shown in FIG. 1 showing the distal end of the handguard; and,

FIG. 6 is a side elevation view of the handguard shown in FIG. 1 showing the right side of the handguard; the undisclosed opposite side being a mirror image thereof.

The broken lines shown herein are for illustrative purposes only. The broken lines and the areas within the broken lines form no part of the claimed design.

**1 Claim, 4 Drawing Sheets**



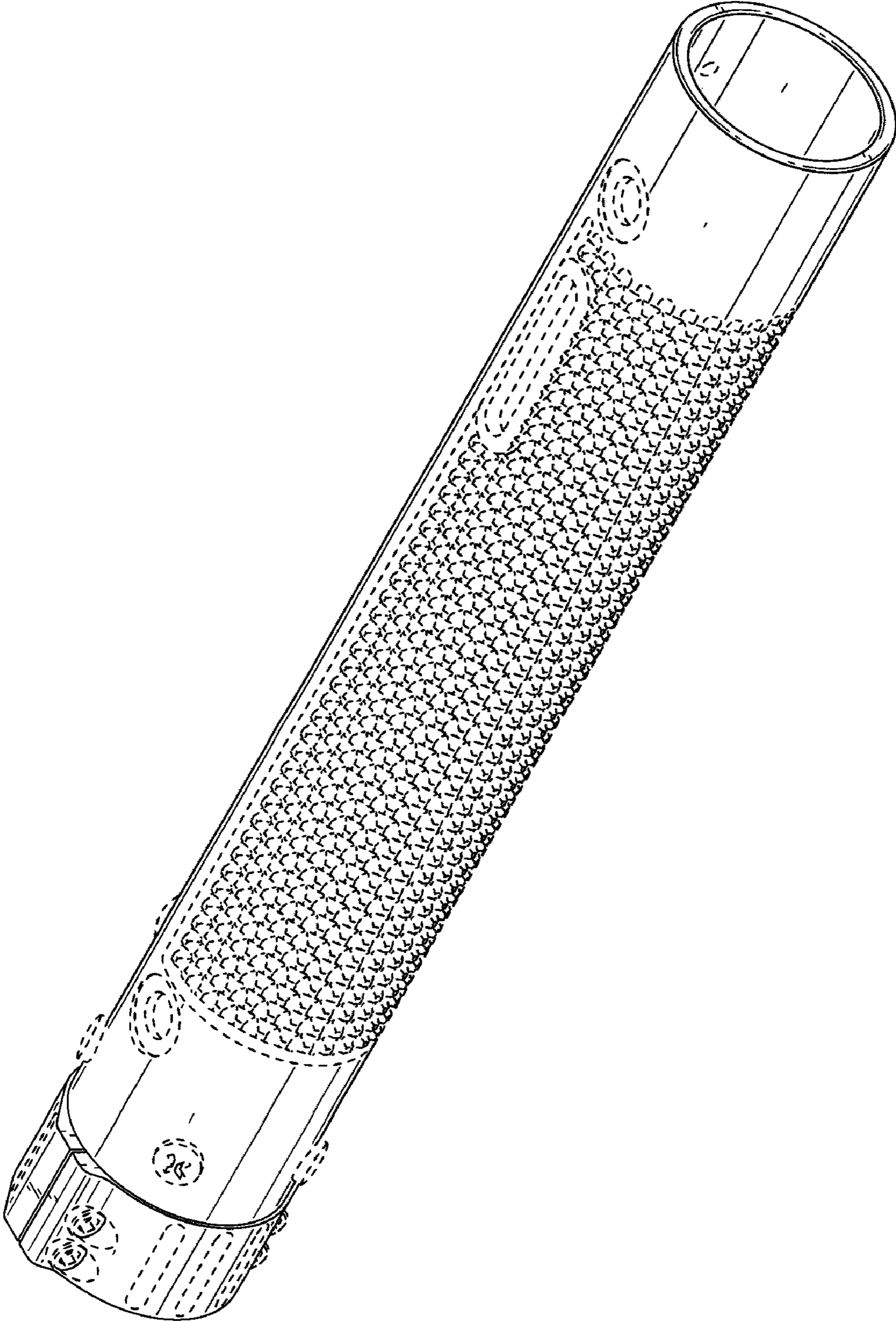


FIG. 1

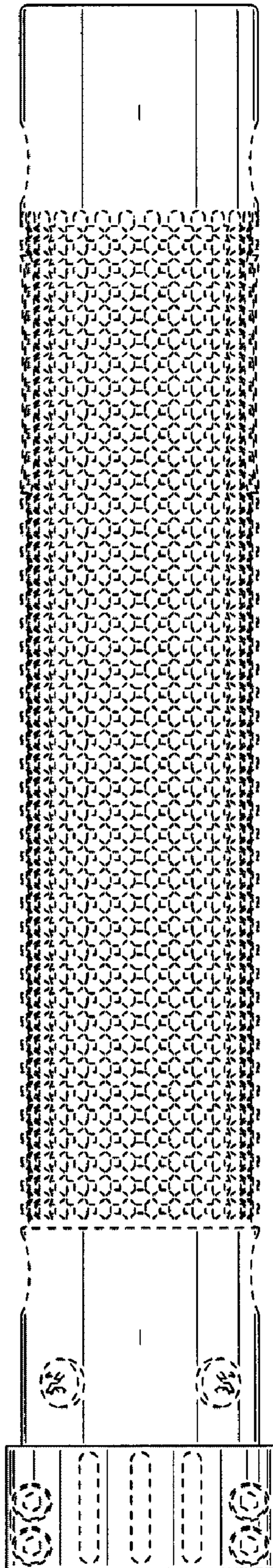


FIG. 2

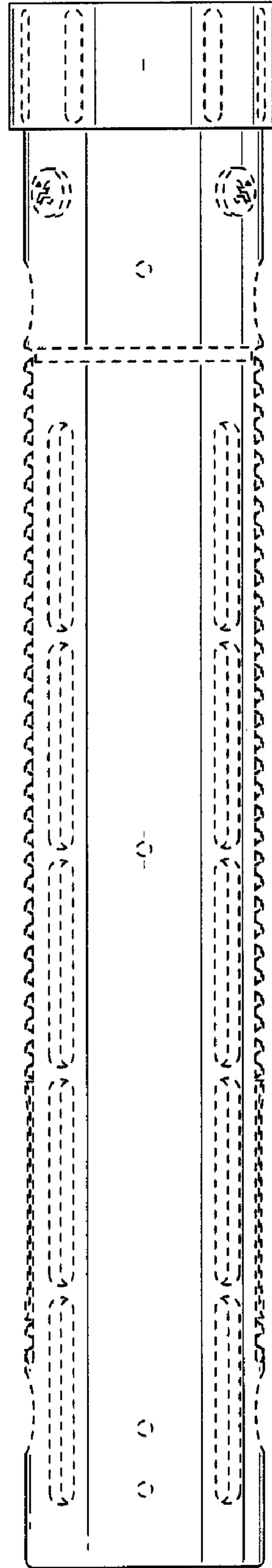


FIG. 3

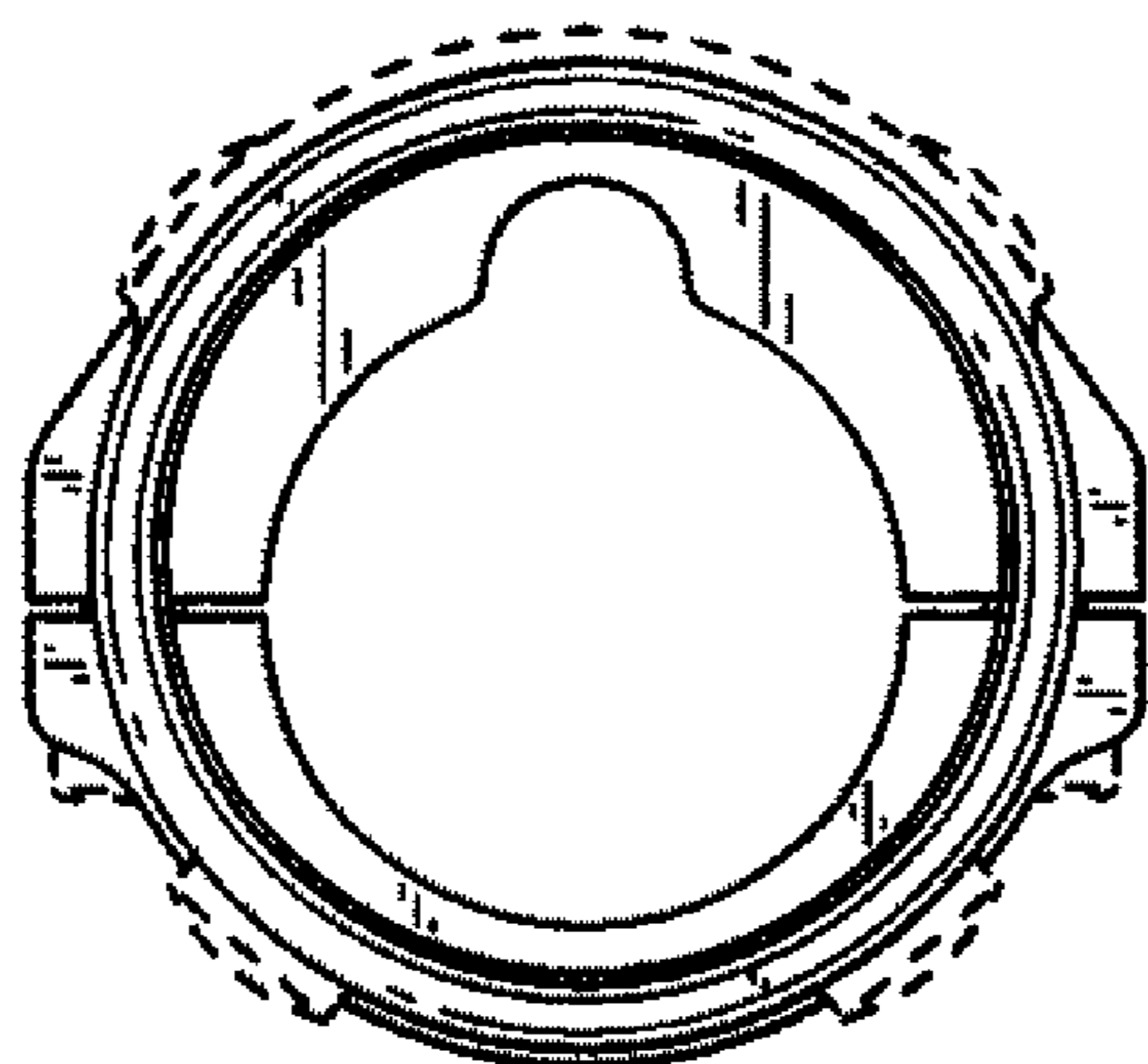


FIG. 5

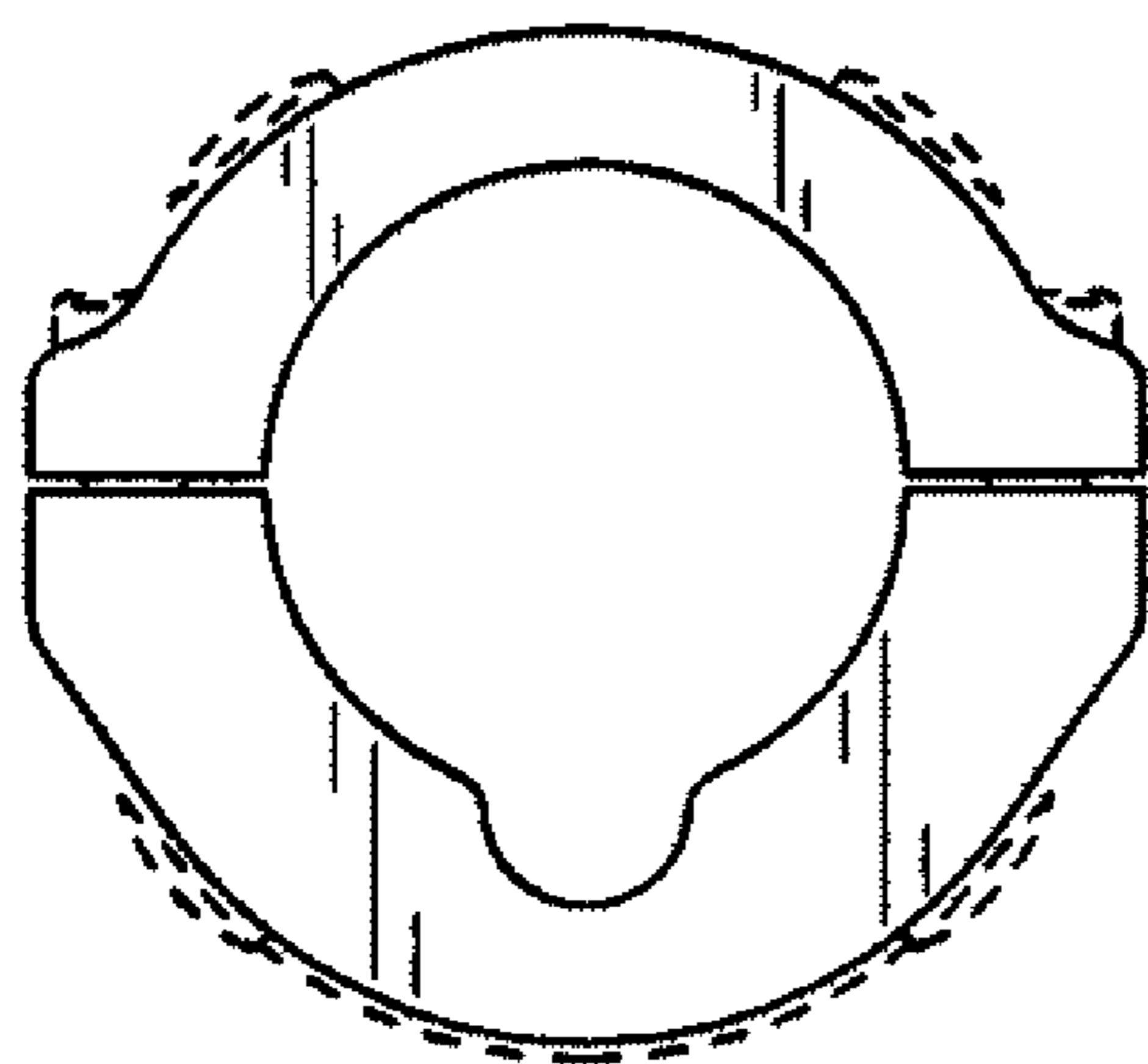


FIG. 4

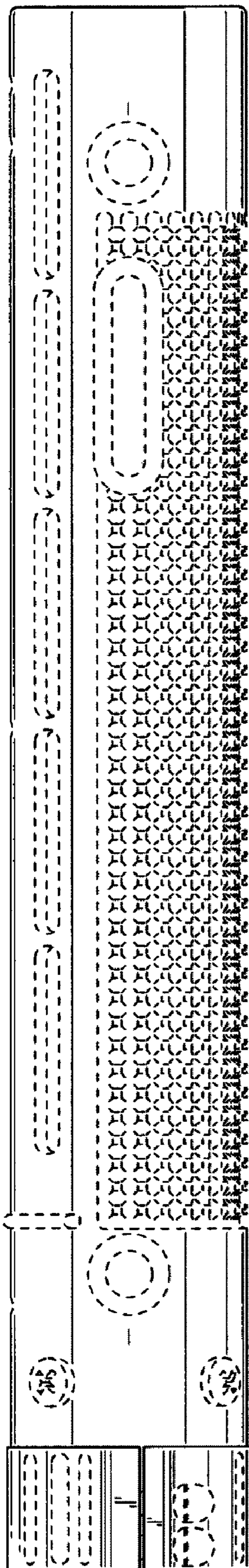


FIG. 6