

US00D637676S

(12) **United States Design Patent**  
**Wilson et al.**

(10) **Patent No.:** **US D637,676 S**  
(45) **Date of Patent:** **\*\* May 10, 2011**

(54) **FLAT BOTTOM VEE ICE SKATE BLADE**

(75) Inventors: **Murray David Wilson**, Harrow (CA);  
**Steven David Wilson**, Harrow (CA);  
**Omer Leon Hageniers**, Windsor (CA)

(73) Assignee: **1339513 Ontario Ltd.**, Harrow, Ontario (CA)

(\*\*) Term: **14 Years**

(21) Appl. No.: **29/333,603**

(22) Filed: **Mar. 12, 2009**

(51) **LOC (9) Cl.** ..... **21-02**

(52) **U.S. Cl.** ..... **D21/761**

(58) **Field of Classification Search** ..... D21/760,  
D21/761, 762, 771; 280/11.12, 11.14, 11.15,  
280/11.18, 809, 811

See application file for complete search history.

(56) **References Cited**

**U.S. PATENT DOCUMENTS**

60,431 A	12/1866	Scott et al.	
83,339 A	10/1868	Thurston	
750,696 A	1/1904	Price	
1,100,976 A	6/1914	Hille	
1,181,831 A *	5/1916	Browne	280/11.18
1,786,553 A	12/1930	Thorngren	
2,055,665 A	9/1936	Moon	
2,181,923 A	12/1939	Smolarek	
2,229,374 A	1/1941	Devau	
2,486,850 A	11/1949	Ives	
2,904,342 A	9/1959	Jones et al.	
3,271,906 A	9/1966	Esopi	
3,517,659 A	6/1970	Kane et al.	
3,735,533 A	5/1973	Salberg	
3,827,185 A	8/1974	Smith	
4,055,026 A	10/1977	Zwicker	
4,094,101 A	6/1978	Robinson	
4,114,913 A	9/1978	Newell et al.	
4,271,635 A	6/1981	Szalay	
4,294,043 A	10/1981	Sakcriska	

D264,984 S *	6/1982	Olivieri	D21/761
4,392,658 A	7/1983	Redmond et al.	
4,411,250 A	10/1983	Lach	
4,534,134 A	8/1985	Consay et al.	
4,535,571 A	8/1985	Smith	
4,615,144 A	10/1986	Peacock et al.	
4,756,125 A	7/1988	Kadnar	

(Continued)

**FOREIGN PATENT DOCUMENTS**

CA 1179696 12/1984

(Continued)

*Primary Examiner* — Lisa P Lichtenstein

(74) *Attorney, Agent, or Firm* — Harness, Dickey & Pierce, P.L.C.

(57) **CLAIM**

The ornamental design for a flat bottom vee ice skate blade, as shown and described.

**DESCRIPTION**

FIG. 1 is a perspective view of a flat bottom vee ice skate blade.

FIG. 2 is an enlarged front side view of the ice skate blade of FIG. 1.

FIG. 3 is an enlarged rear side view of the ice skate blade of FIG. 1.

FIG. 4 is a reduced top view of the ice skate blade of FIG. 1.

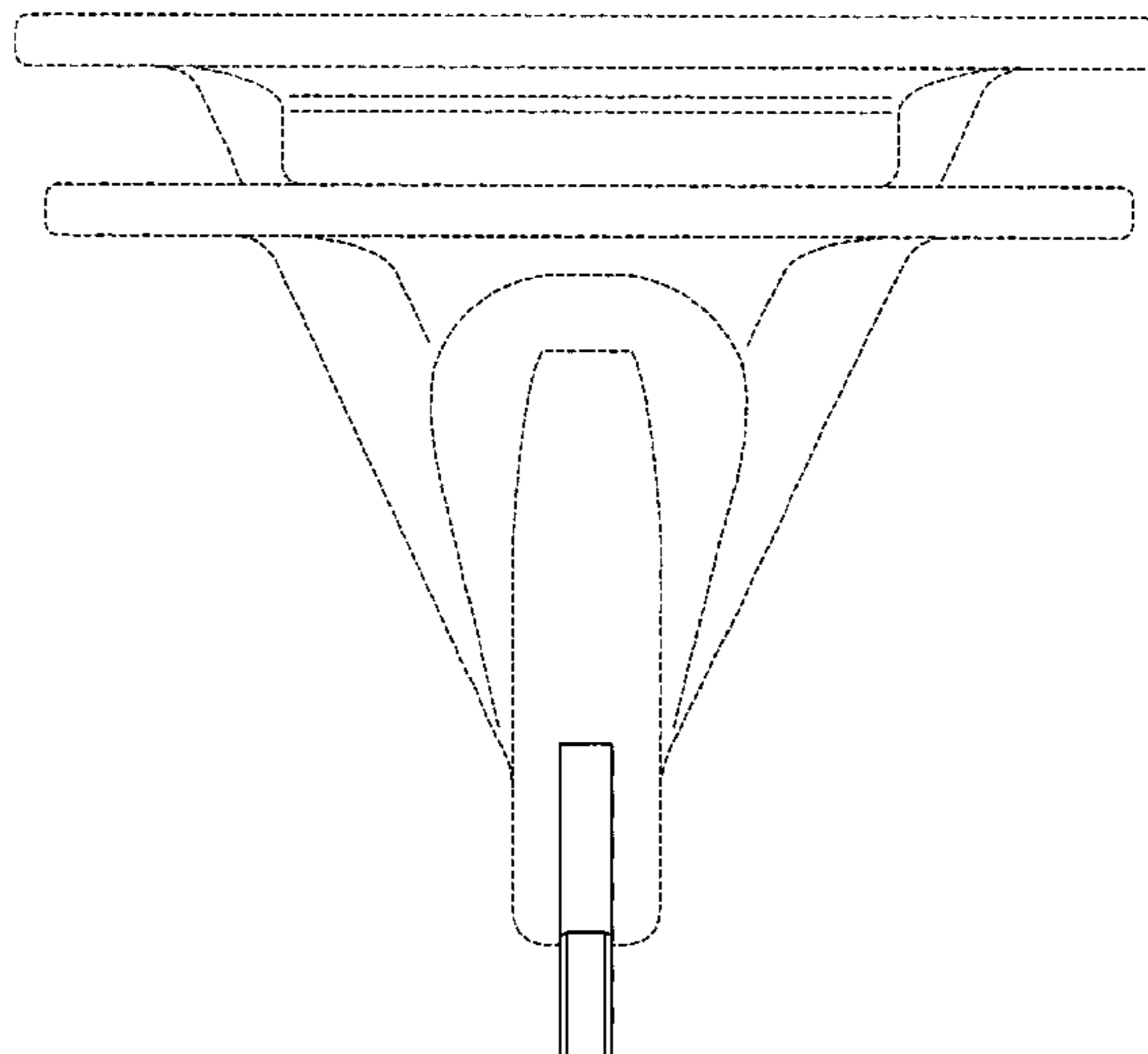
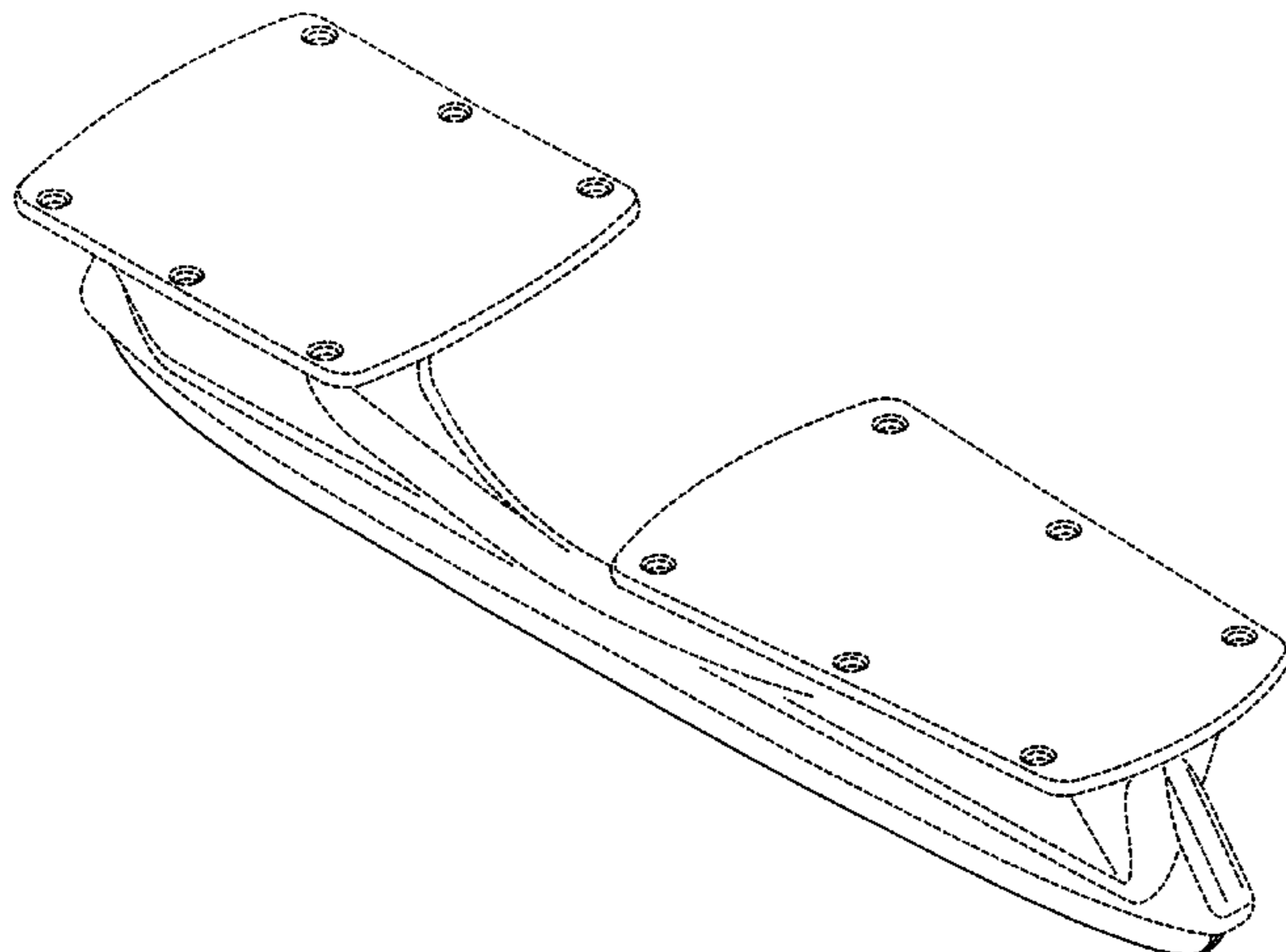
FIG. 5 is a reduced bottom view of the ice skate blade of FIG. 1.

FIG. 6 is a right side view of the ice skate blade of FIG. 1.

FIG. 7 is a left side view of the ice skate blade of FIG. 1; and, FIG. 8 is a greatly enlarged close-up of the front side view of FIG. 2.

The broken line showing of portions of an ice skate is included for the purpose of illustrating environmental structure and forms no part of the claimed design.

**1 Claim, 6 Drawing Sheets**



# US D637,676 S

Page 2

## U.S. PATENT DOCUMENTS

4,805,586 A 2/1989 Borse  
4,907,813 A \* 3/1990 Hall ..... 280/11.18  
5,009,039 A 4/1991 Lager et al.  
5,287,657 A 2/1994 Tschida et al.  
5,354,078 A 10/1994 Belleisle  
5,431,597 A 7/1995 Anderson  
5,445,050 A 8/1995 Owens  
5,499,556 A 3/1996 Exner et al.  
5,547,416 A 8/1996 Timms  
D373,399 S \* 9/1996 Both ..... D21/761  
5,570,893 A 11/1996 Swande  
5,591,069 A 1/1997 Wurthman  
5,704,829 A 1/1998 Long  
5,725,419 A 3/1998 Osthoff et al.  
5,826,890 A 10/1998 Swande  
6,030,283 A 2/2000 Anderson  
6,116,989 A 9/2000 Balastik  
6,203,028 B1 3/2001 Kress  
6,286,498 B1 9/2001 Sung  
6,308,700 B1 10/2001 Lierse  
6,368,198 B1 4/2002 Sung et al.  
6,422,934 B1 7/2002 Blach et al.  
6,443,819 B2 9/2002 Sakcriska

6,467,778 B1 10/2002 Goldsmith et al.  
6,481,113 B1 11/2002 Brenner  
6,619,674 B2 9/2003 Baldwin  
6,695,322 B2 2/2004 Goldsmith et al.  
D500,112 S \* 12/2004 Brumpton ..... D21/761  
6,830,251 B2 12/2004 Titzmann  
6,953,390 B2 10/2005 Sakurai et al.  
D514,643 S \* 2/2006 Henderson ..... D21/771  
7,073,810 B2 7/2006 Wilson  
7,234,709 B2 6/2007 Lambert  
7,387,302 B2 6/2008 Goldsmith et al.  
7,648,146 B2 1/2010 Tatomir  
2002/0014041 A1 2/2002 Baldoni et al.  
2003/0106270 A1 6/2003 Baldoni et al.  
2005/0276979 A1 12/2005 Slutz et al.  
2007/0001426 A1 1/2007 Wade

## FOREIGN PATENT DOCUMENTS

CA 1179696 A1 12/1984  
CA 2173001 3/1996  
CA 2373449 A1 11/2000  
CA 2373449 A1 11/2000

\* cited by examiner

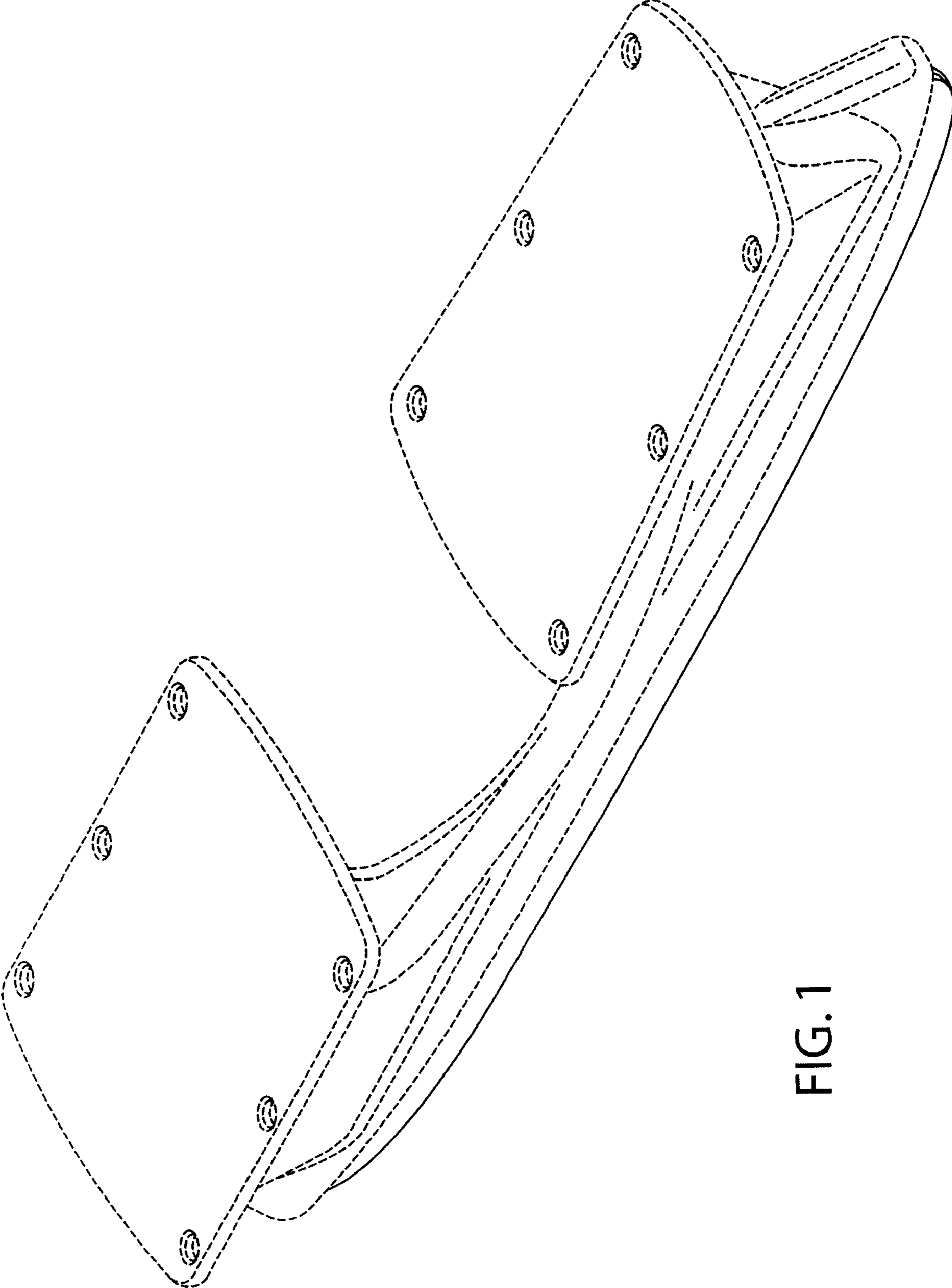


FIG. 1

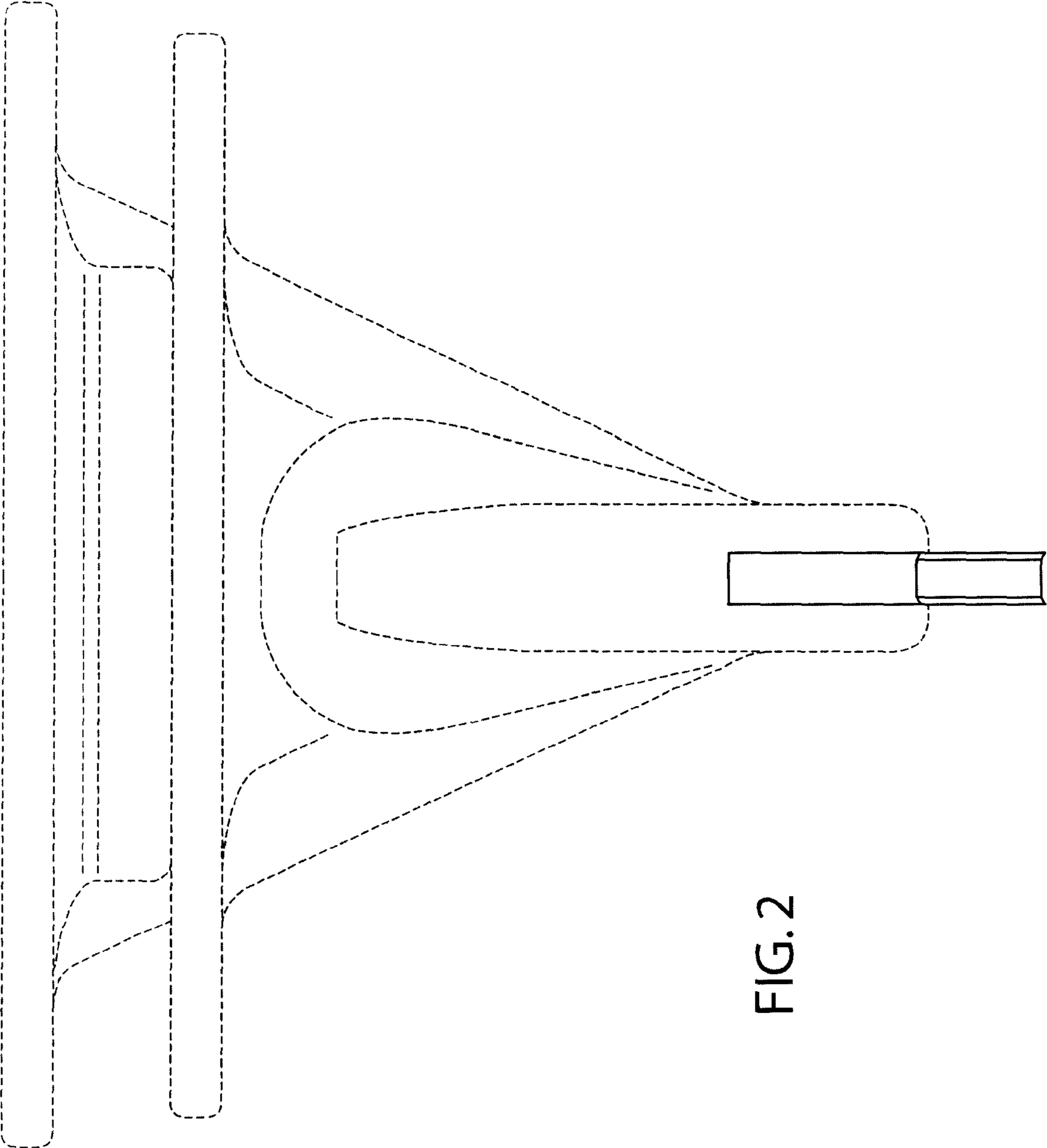


FIG. 2

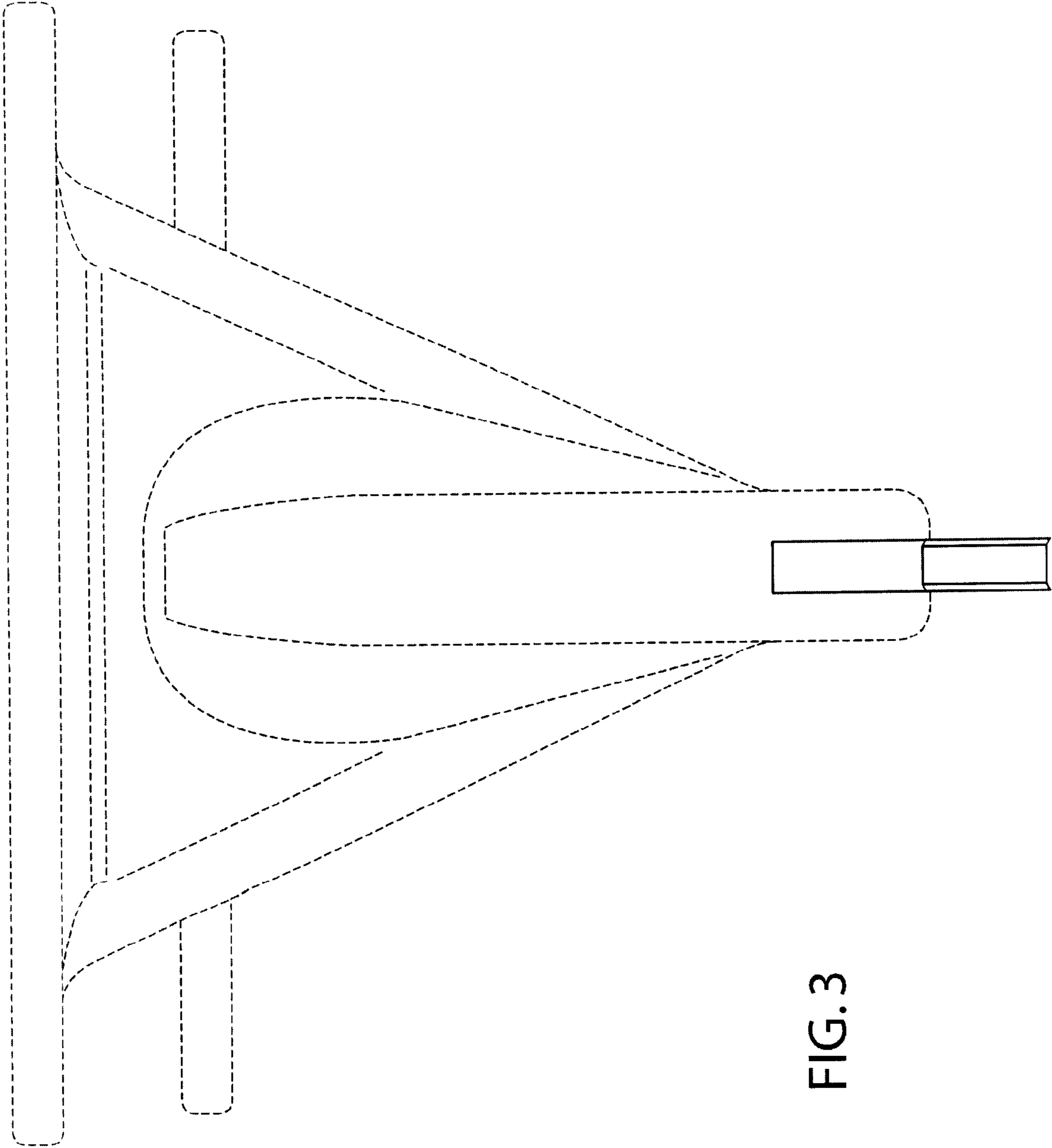


FIG. 3



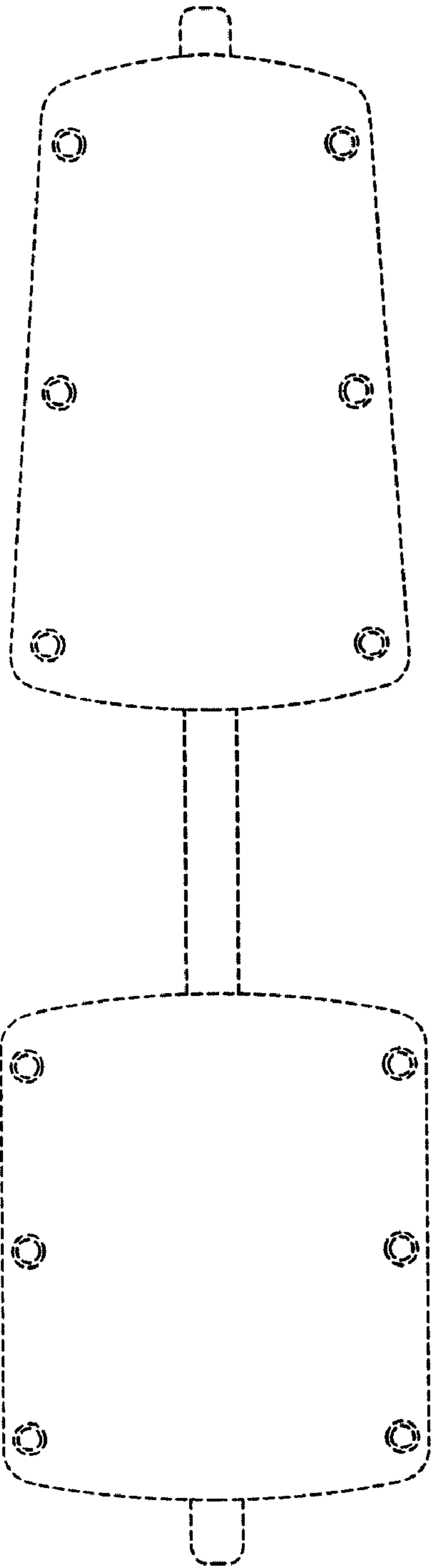


FIG 4

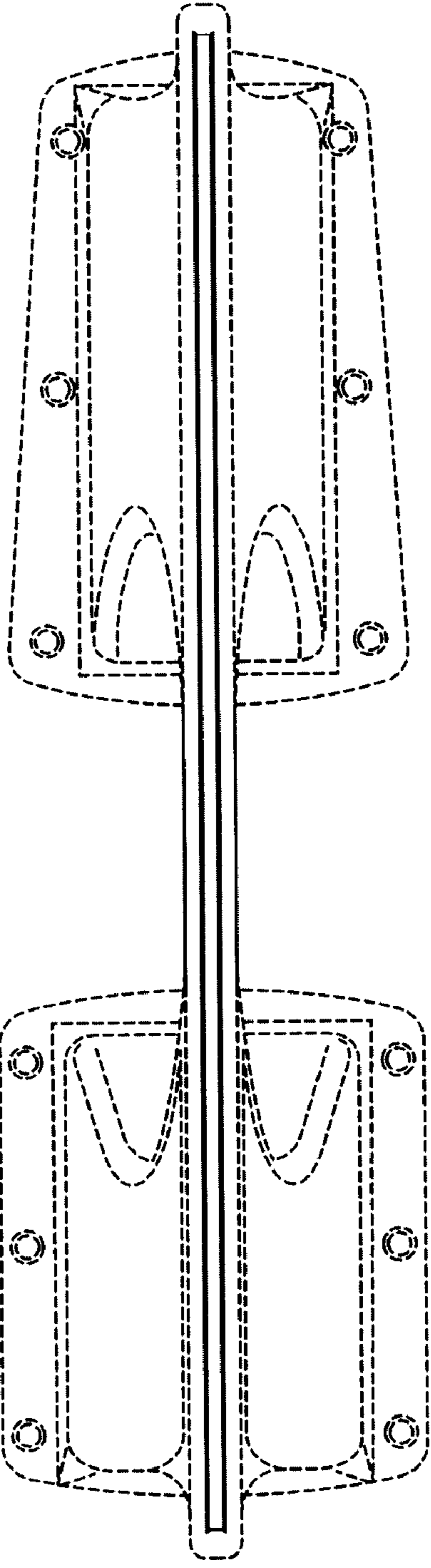


FIG. 5

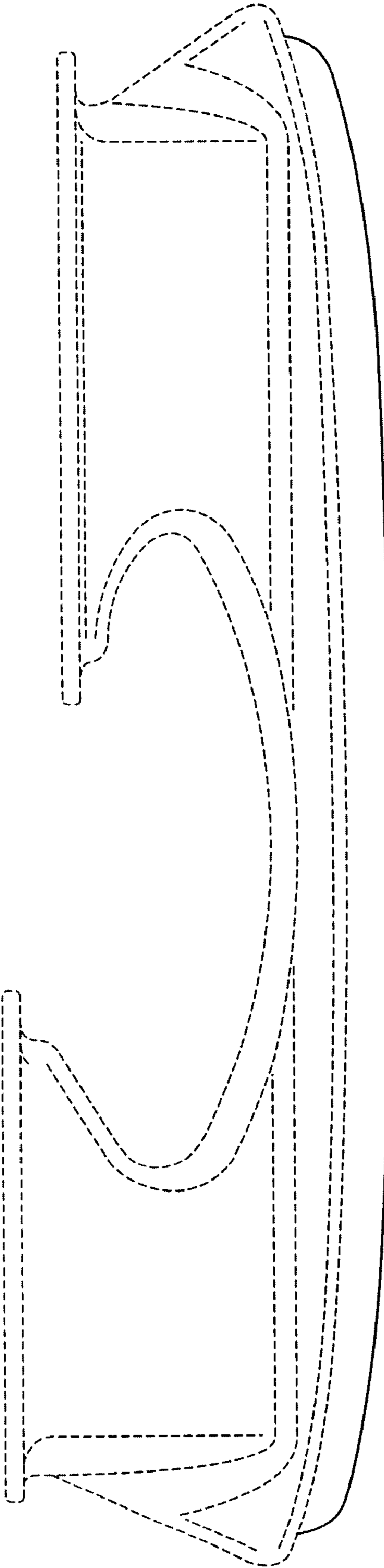


FIG. 6

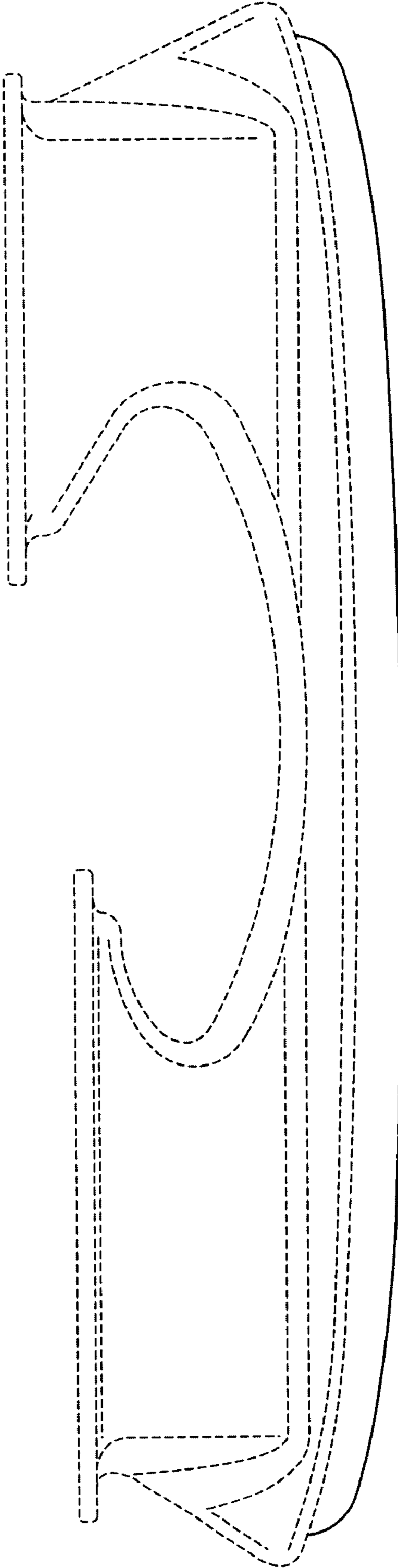


FIG. 7

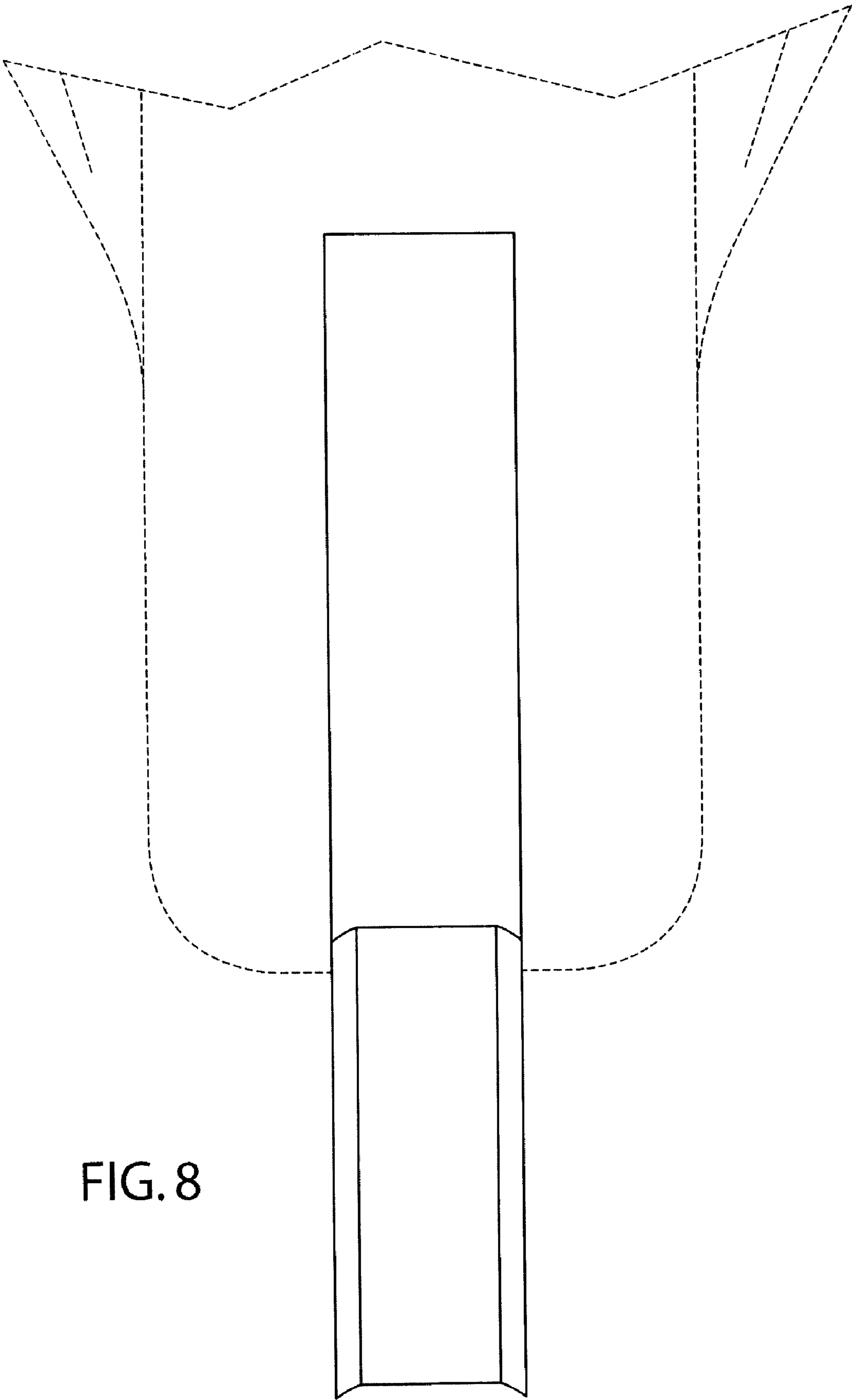


FIG. 8