



US00D637674S

(12) **United States Design Patent**  
**Tryner et al.**

(10) **Patent No.:** **US D637,674 S**  
(45) **Date of Patent:** **\*\* May 10, 2011**

- (54) **GOLF CLUB HEAD**
- (75) Inventors: **Andrew K. Tryner**, Chicago, IL (US);  
**Douglas J. Thiel**, Streamwood, IL (US);  
**Robert T. Thurman**, Plainfield, IL (US);  
**Jon C. Pergande**, Arlington Heights, IL (US)
- (73) Assignee: **Wilson Sporting Goods Co.**
- (\*\*) Term: **14 Years**
- (21) Appl. No.: **29/361,596**
- (22) Filed: **May 13, 2010**
- (51) **LOC (9) Cl.** ..... **21-02**
- (52) **U.S. Cl.** ..... **D21/759**
- (58) **Field of Classification Search** ..... D21/736–746,  
D21/759; 473/324–331, 251–256, 340–341  
See application file for complete search history.

5,921,868 A	7/1999	DiMartino	473/254
6,062,986 A	5/2000	Kaise	473/242
RE37,519 E	1/2002	Densberger et al.	33/263
6,758,760 B1	7/2004	Kellogg et al.	473/220
D494,239 S	8/2004	Green	D21/742
D499,782 S *	12/2004	Stites et al.	D21/759
6,860,822 B2	3/2005	Vrska, Jr.	473/324
7,052,409 B2	5/2006	Goldsmith	473/242
D523,102 S *	6/2006	Stites et al.	D21/742
7,134,966 B1	11/2006	Tice	473/220
D537,137 S *	2/2007	Sheehan	D21/746
D565,139 S *	3/2008	Wilson	D21/743
7,387,576 B2	6/2008	Agnew	473/240
D587,771 S *	3/2009	Kuan et al.	D21/759
D603,008 S *	10/2009	Donahue	D21/742
7,677,987 B2 *	3/2010	Hilton	473/242
D623,710 S *	9/2010	Hilton et al.	D21/743
2004/0092327 A1	5/2004	Marnocha	473/220
2005/0020372 A1	1/2005	Hermle et al.	473/242
2006/0135277 A1	6/2006	Marnocha	473/220

\* cited by examiner

*Primary Examiner* — Mitchell Siegel

(74) *Attorney, Agent, or Firm* — Terence P. O'Brien

(56) **References Cited**

U.S. PATENT DOCUMENTS

2,822,614 A	2/1958	Susinno	
2,929,631 A	3/1960	Gillon	
3,019,022 A	1/1962	Ehmke	
3,043,596 A	7/1962	Ehmke	
3,880,430 A	4/1975	McCabe	273/183
D235,668 S *	7/1975	Swash	D21/739
4,136,877 A	1/1979	Antonious	273/164
4,367,877 A	1/1983	Gibson et al.	273/164
4,458,900 A	7/1984	Antonious	273/164
4,519,612 A	5/1985	Tsao	273/163
4,712,798 A	12/1987	Preato	273/164
4,749,196 A	6/1988	Podgor	273/164
4,919,424 A	4/1990	Fukumochi et al.	273/164
4,986,544 A	1/1991	Benson	273/183
D325,414 S	4/1992	Woolsey	
5,351,963 A	10/1994	Baek	273/187.4
5,433,444 A	7/1995	Chiuminatta et al.	273/164.1
5,640,777 A	6/1997	Densberger et al.	33/263
5,893,804 A	4/1999	Pan	473/240

(57) **CLAIM**

We claim the ornamental design for a golf club head, as shown and described.

**DESCRIPTION**

FIG. 1 is a top, side perspective view of a portion of a golf putter head;  
FIG. 2 is a top view of the portion of the golf putter head of FIG. 1; and,  
FIG. 3 is a rear view of the portion of the golf putter head of FIG. 1.

The ornamental design that is claimed is shown in solid lines in the drawings. The broken (dashed) lines shown in FIGS. 1 through 3 are included for the purpose of illustrating environmental elements only and form no part of the claimed design.

**1 Claim, 2 Drawing Sheets**

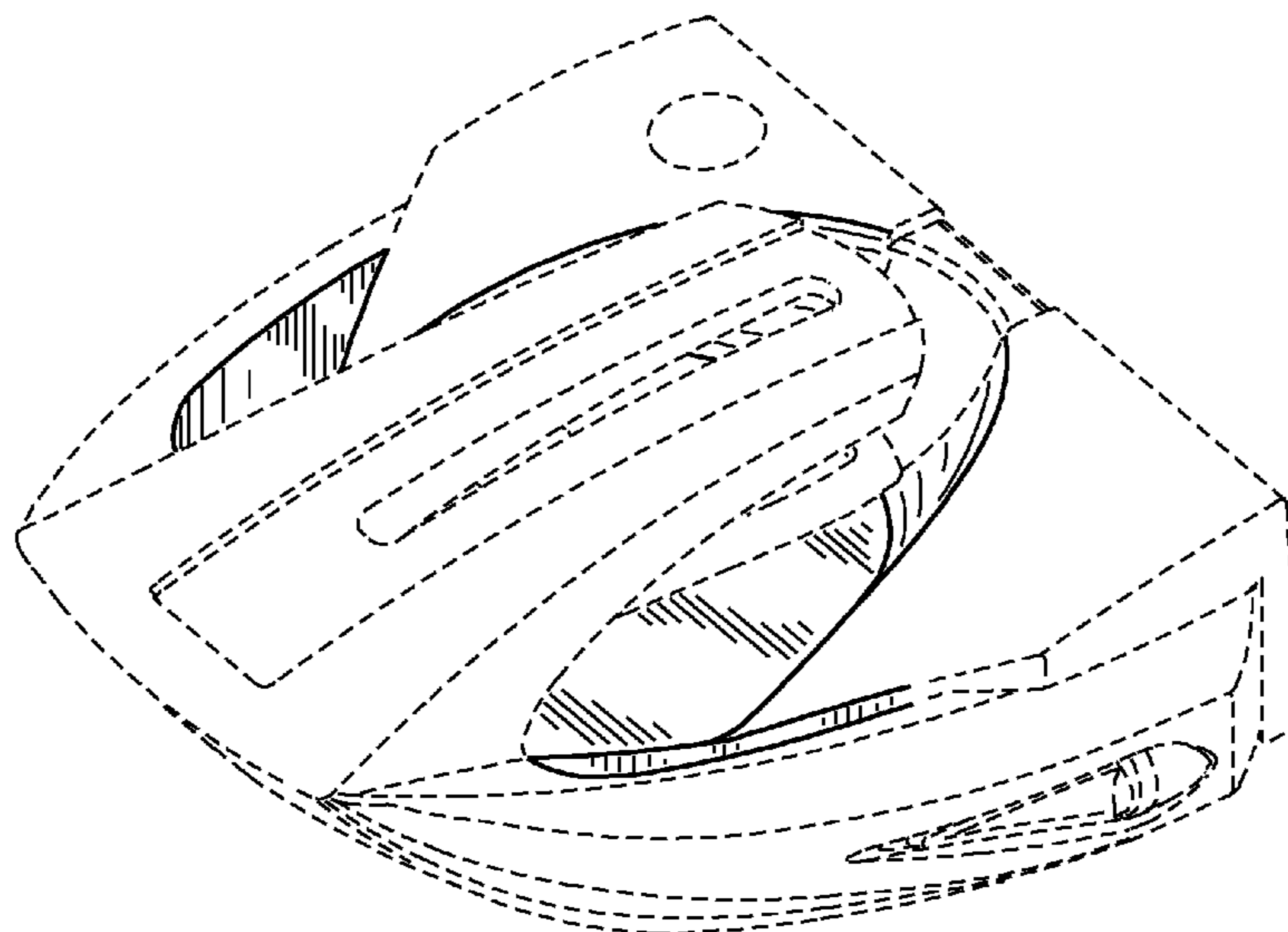


FIG. 1

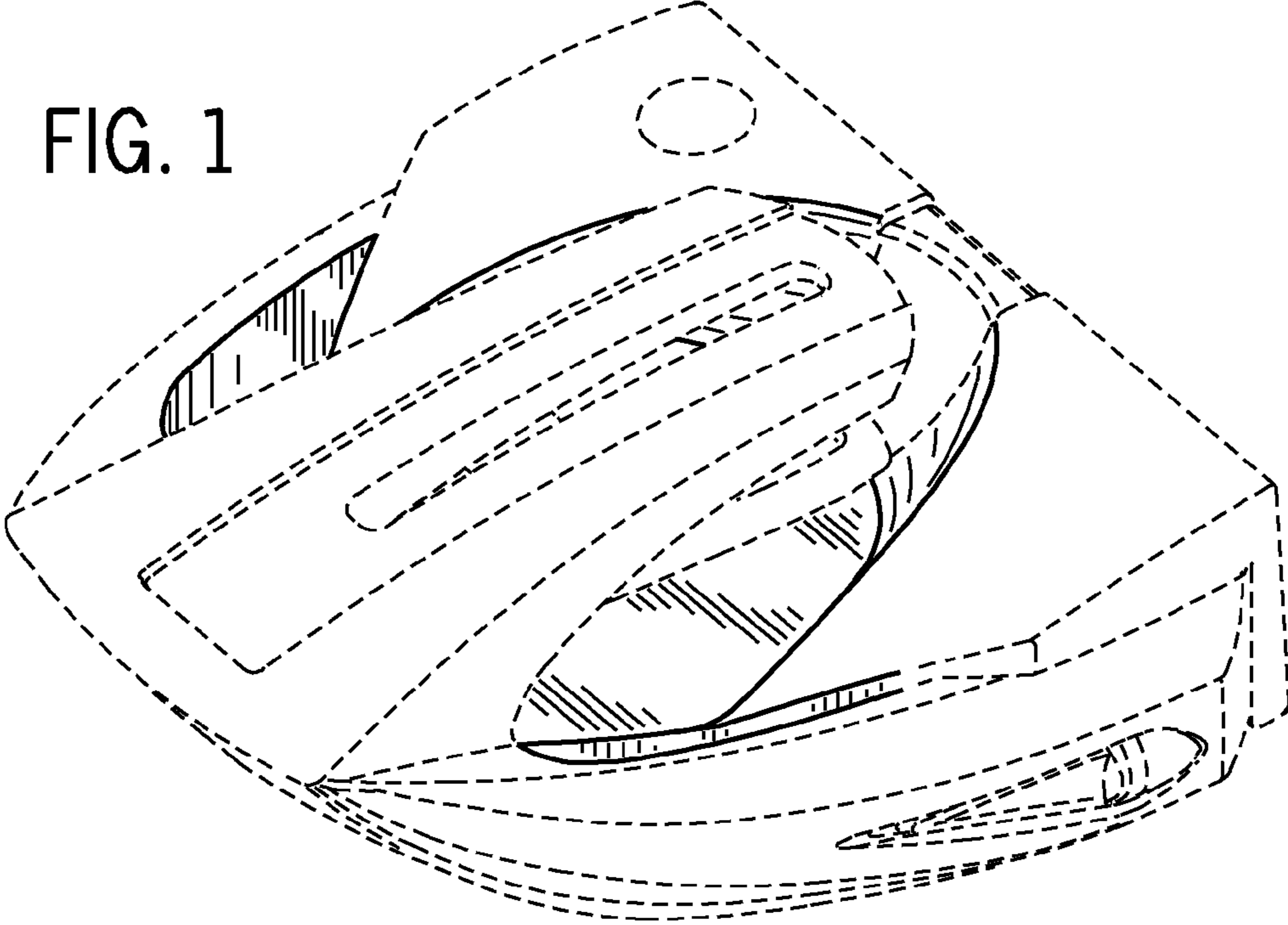
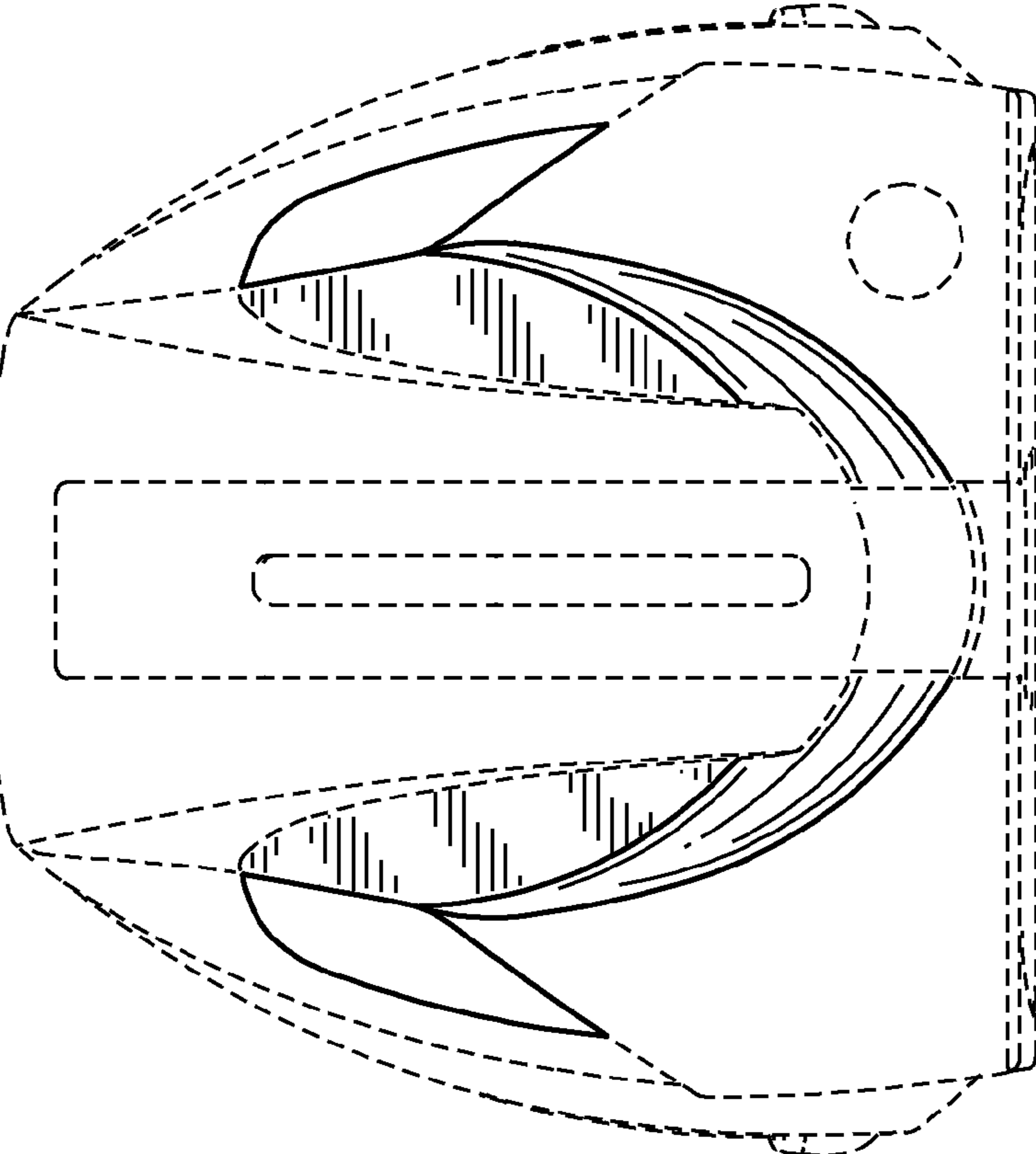


FIG. 2



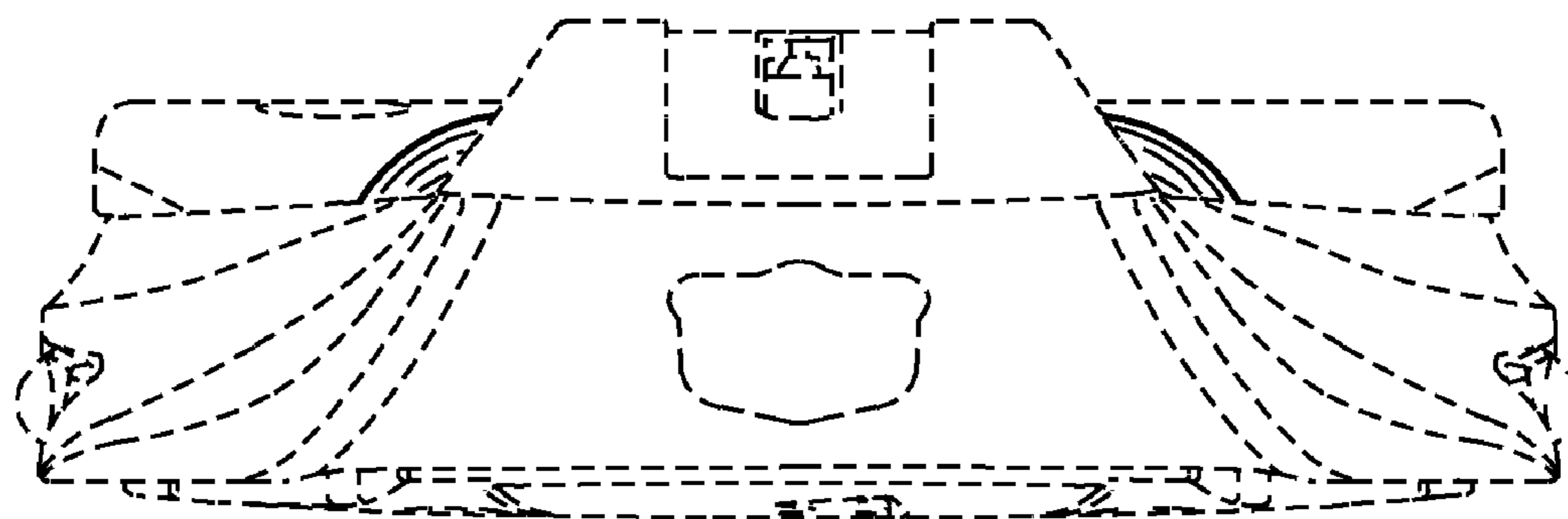


FIG. 3