



US00D637673S

(12) **United States Design Patent**
Lidenberg

(10) **Patent No.:** **US D637,673 S**

(45) **Date of Patent:** **** May 10, 2011**

(54) **GOLF CLUB GRIP**

Primary Examiner — Mitchell I Siegel

(76) Inventor: **Rodney D. Lidenberg**, Eden Prairie,
MN (US)

(74) *Attorney, Agent, or Firm* — Richard John Bartz

(**) Term: **14 Years**

(57) **CLAIM**

The ornamental design for the golf club grip, as shown and described.

(21) Appl. No.: **29/349,805**

DESCRIPTION

(22) Filed: **May 4, 2010**

(51) **LOC (9) Cl.** **21-02**

(52) **U.S. Cl.** **D21/756**

(58) **Field of Classification Search** D21/756–758;
473/300–303, 294, 201

See application file for complete search history.

FIG. 1 is a front elevational view of a first embodiment of the golf club grip of our design with a helical band of hook members located around the grip;
FIG. 2 is a side elevational view of the right side thereof;
FIG. 3 is a side elevational view of the left side thereof;
FIG. 4 is a rear elevational view thereof;
FIG. 5 is a top plan view thereof;
FIG. 6 is a bottom plan view thereof;
FIG. 7 is a front elevational view of a second embodiment of the golf club grip of our design with a helical band of loop members located around the grip;
FIG. 8 is a side elevational view of the right side of FIG. 7;
FIG. 9 is a side elevational view of the left side of FIG. 7;
FIG. 10 is a rear elevational view of FIG. 7;
FIG. 11 is a top plan view of FIG. 7; and,
FIG. 12 is a bottom plan view of FIG. 7.

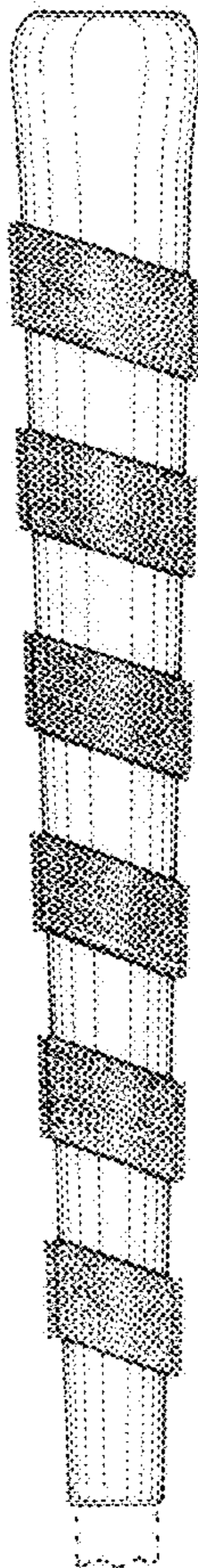
(56) **References Cited**

U.S. PATENT DOCUMENTS

3,140,873	A *	7/1964	Goodwin	473/302
5,348,303	A	9/1994	Swissheim		
5,427,376	A	6/1995	Cummings et al.		
6,022,278	A	2/2000	Vela		
6,648,770	B1	11/2003	Snyder		
6,656,054	B2	12/2003	Ulrich		
D525,672	S *	7/2006	Miller	D21/756

* cited by examiner

1 Claim, 4 Drawing Sheets



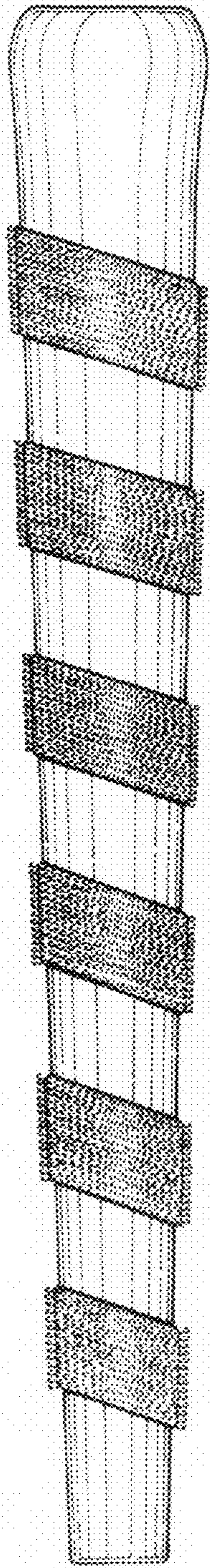


FIG. 1

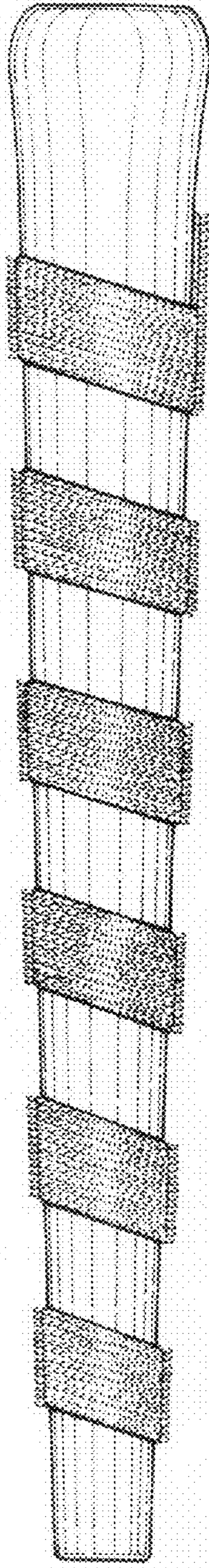


FIG. 2

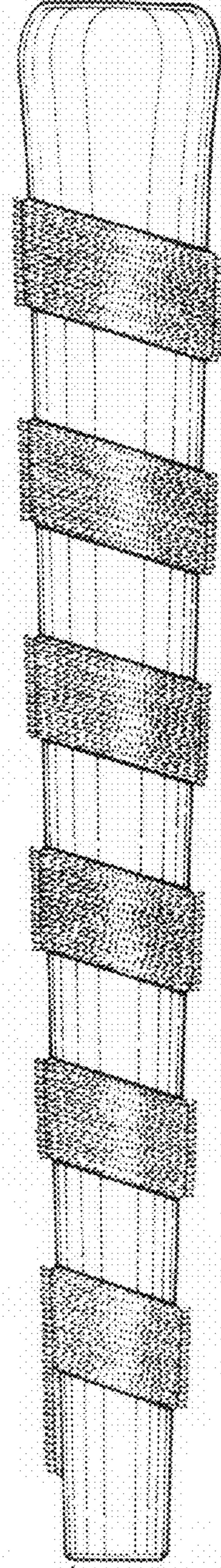


FIG. 3

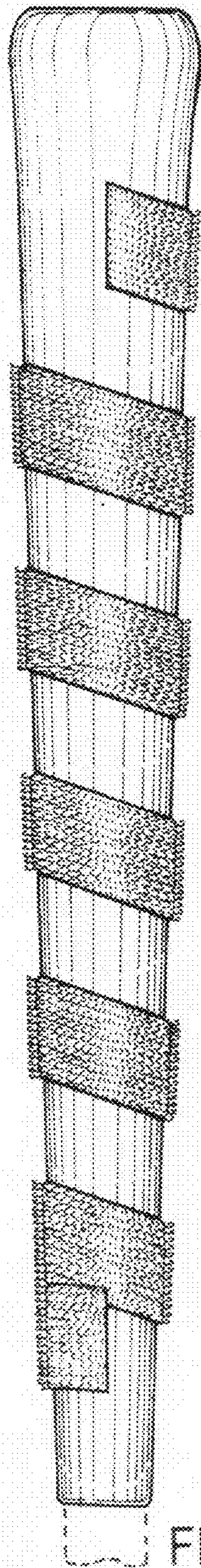


FIG. 4

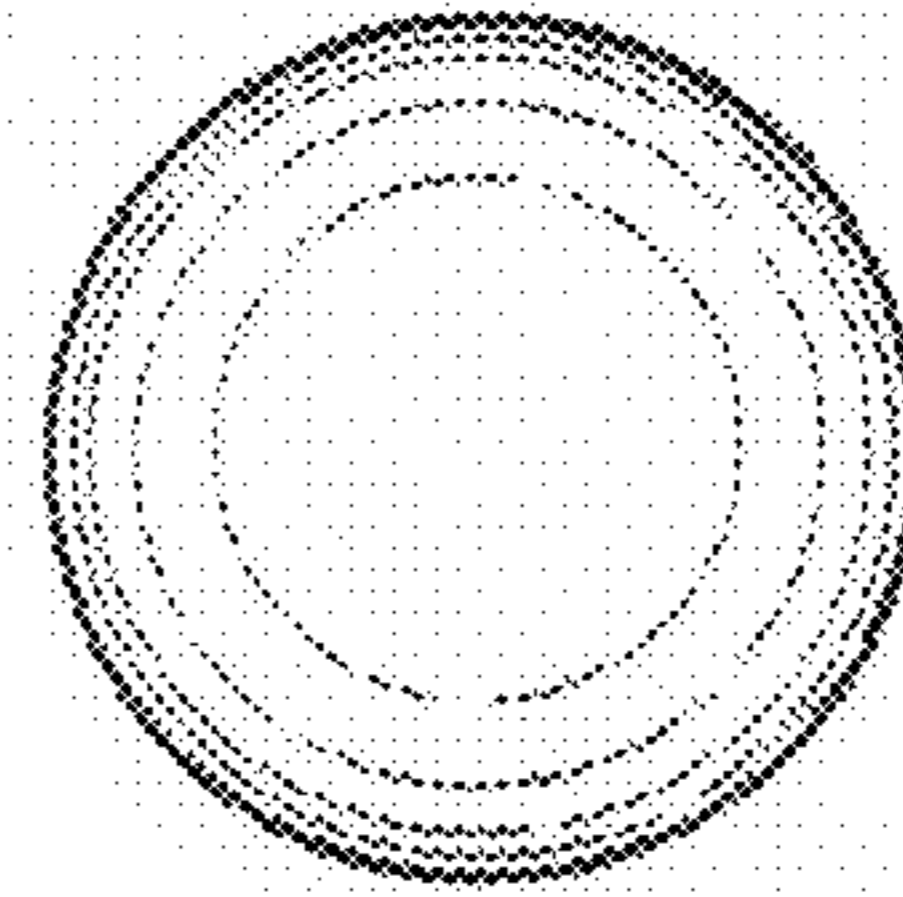


FIG. 5

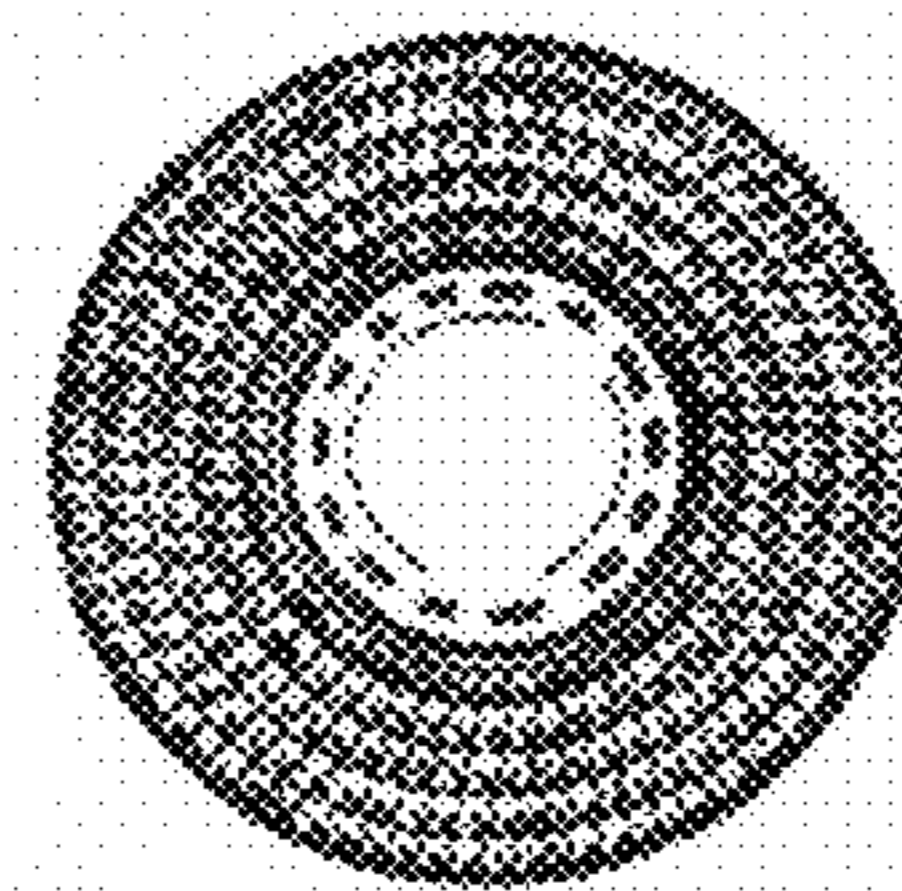


FIG. 6

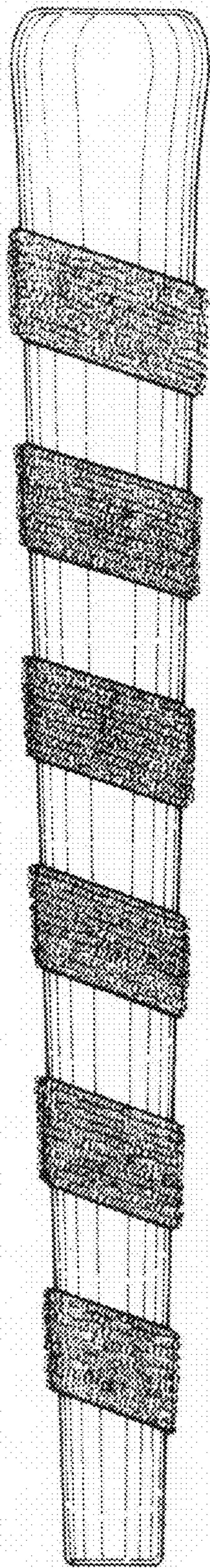


FIG. 7

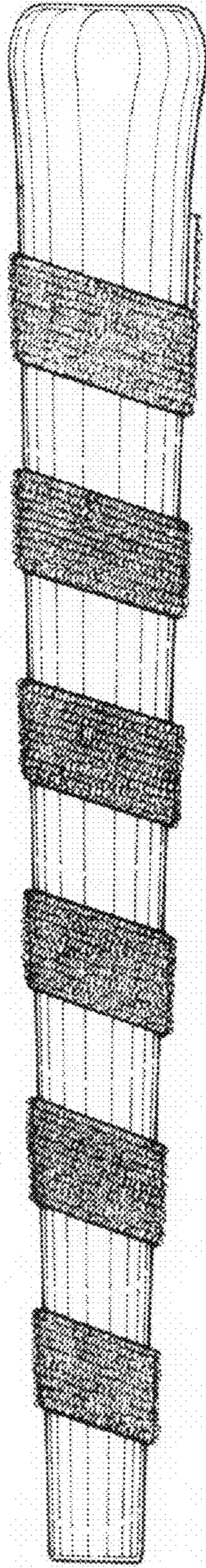


FIG. 8

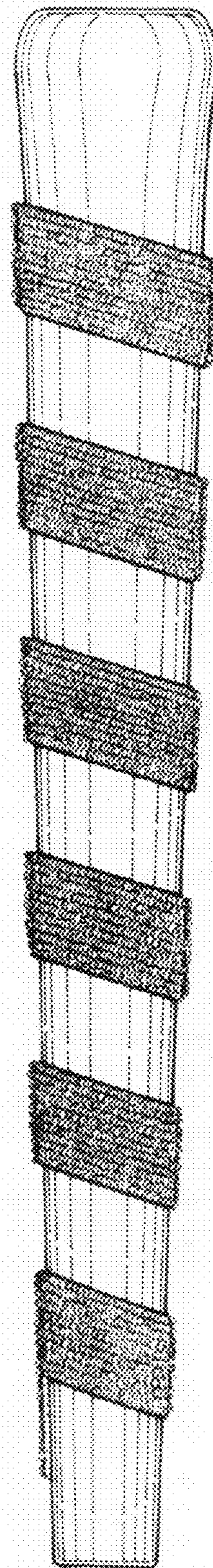


FIG. 9

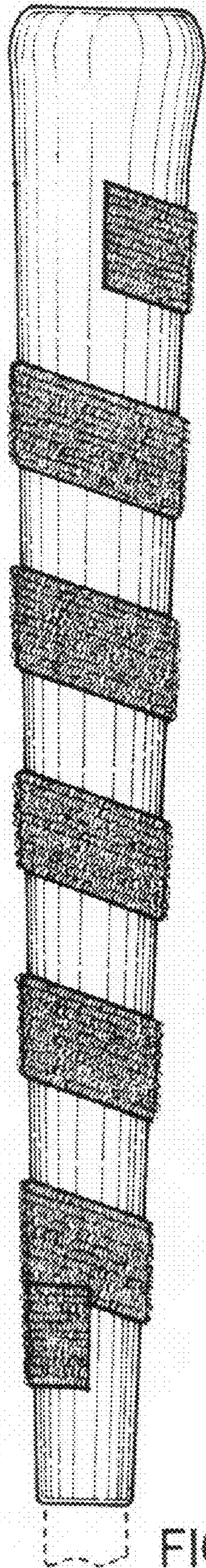


FIG. 10

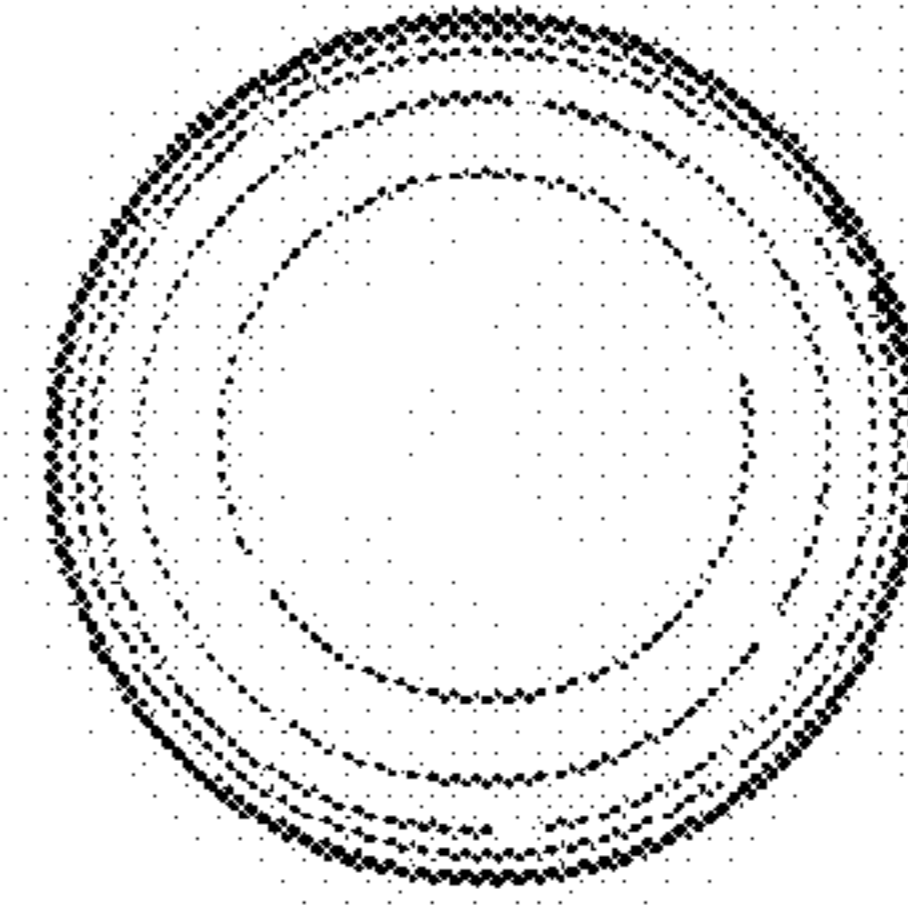


FIG. 11

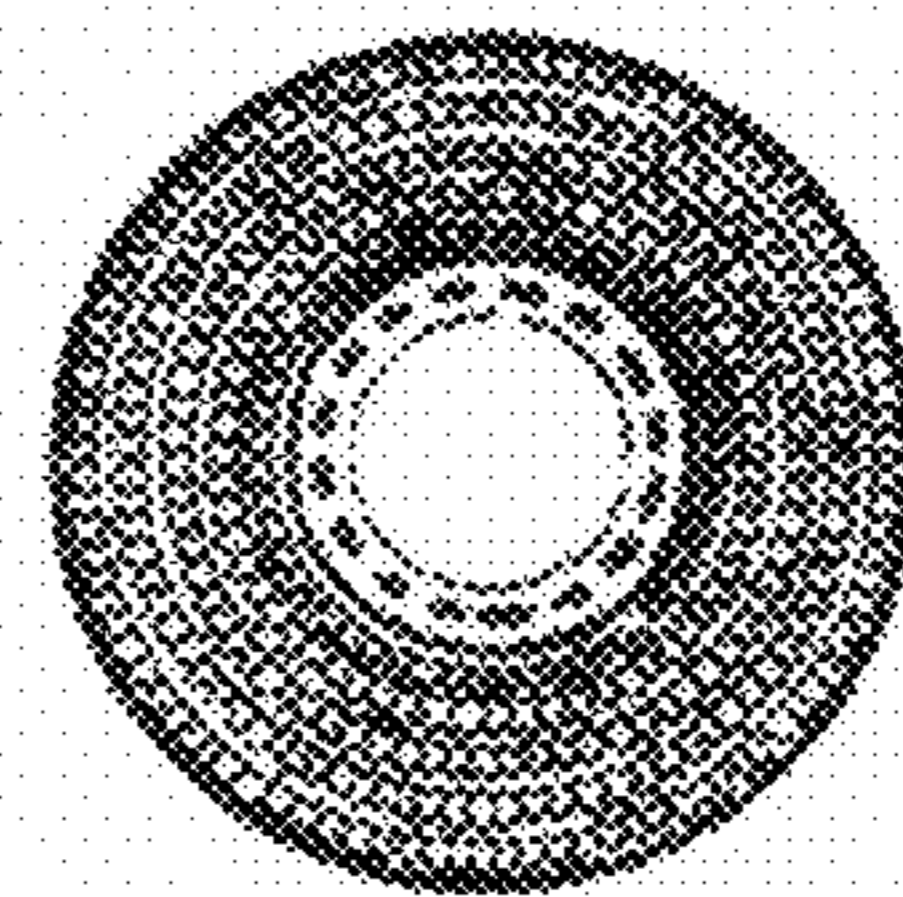


FIG. 12