



US00D637671S

(12) **United States Design Patent**
Kim et al.

(10) **Patent No.:** **US D637,671 S**

(45) **Date of Patent:** **** May 10, 2011**

(54) **GOLF CLUB HEAD**

(75) Inventors: **Kevin Weejoung Kim**, Vista, CA (US);
Daniel M. Stevens, Cardiff, CA (US);
Michael Hallack, Carlsbad, CA (US)

(73) Assignee: **Callaway Golf Company**, Carlsbad, CA (US)

(**) Term: **14 Years**

(21) Appl. No.: **29/368,568**

(22) Filed: **Aug. 25, 2010**

(51) **LOC (9) Cl.** **21-02**

(52) **U.S. Cl.** **D21/752**

(58) **Field of Classification Search** D21/733,
D21/752, 759; 473/324–331, 343–346

See application file for complete search history.

(56) **References Cited**

U.S. PATENT DOCUMENTS

D558,288	S	*	12/2007	Jertson et al.	D21/752
D564,055	S	*	3/2008	Jertson et al.	D21/752
D569,465	S	*	5/2008	Yi et al.	D21/752
D569,934	S	*	5/2008	Jertson et al.	D21/752
D570,937	S	*	6/2008	Schweigert et al.	D21/752
D578,587	S	*	10/2008	Hoffman et al.	D21/752
D579,064	S	*	10/2008	Beach et al.	D21/752
D579,065	S	*	10/2008	Yi et al.	D21/752
D579,066	S	*	10/2008	Dipert et al.	D21/752

D579,067	S	*	10/2008	Hoffman et al.	D21/752
D580,504	S	*	11/2008	Bosilkovski et al.	D21/752
D585,101	S	*	1/2009	Glod	D21/752
D595,794	S	*	7/2009	Kim et al.	D21/752
D598,510	S	*	8/2009	Barez et al.	D21/752
D602,545	S	*	10/2009	Oldknow	D21/752
D617,403	S	*	6/2010	Llewellyn et al.	D21/752
D617,858	S	*	6/2010	Llewellyn et al.	D21/752

* cited by examiner

Primary Examiner — Mitchell Siegel

(74) *Attorney, Agent, or Firm* — Michael A. Catania

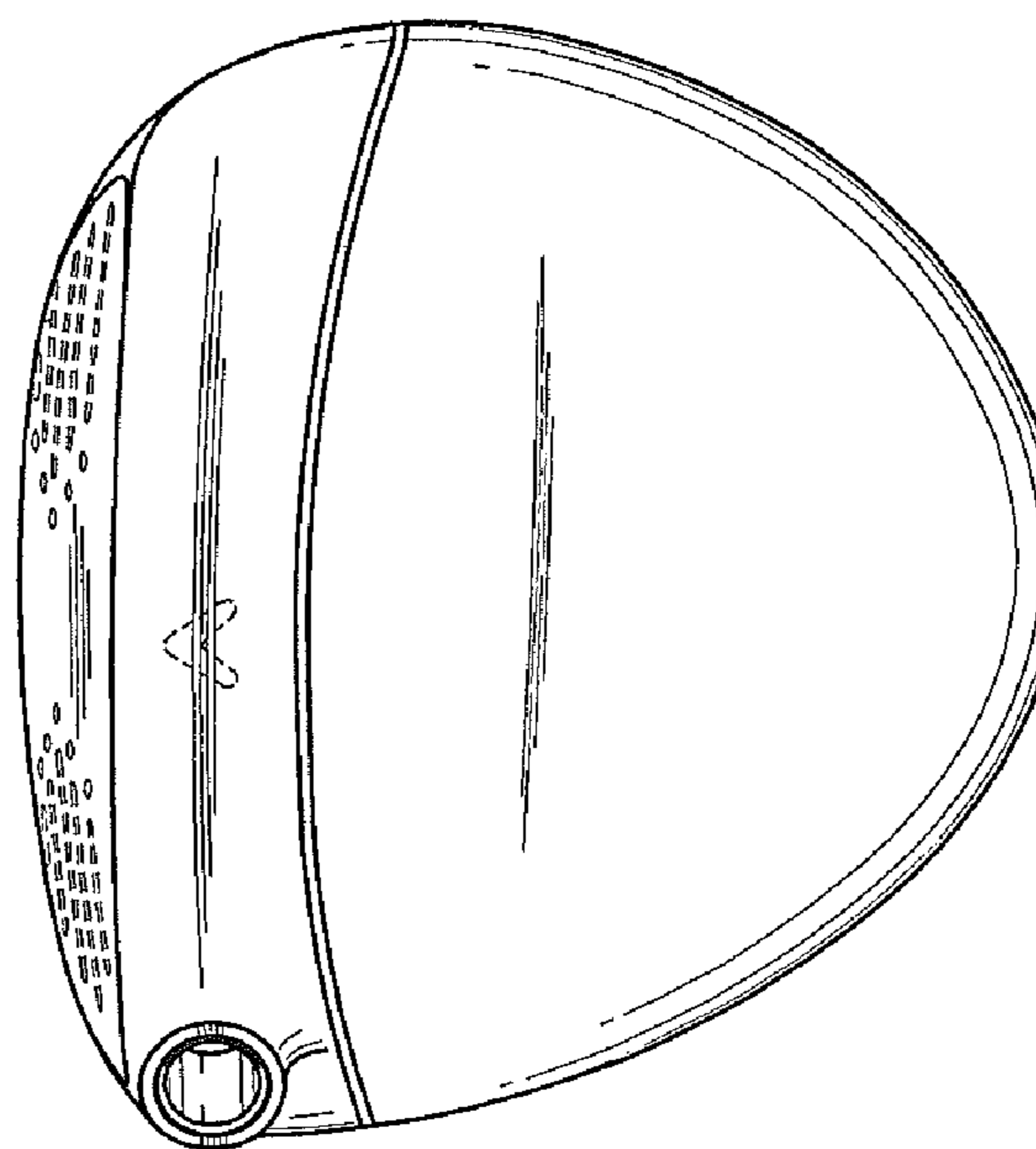
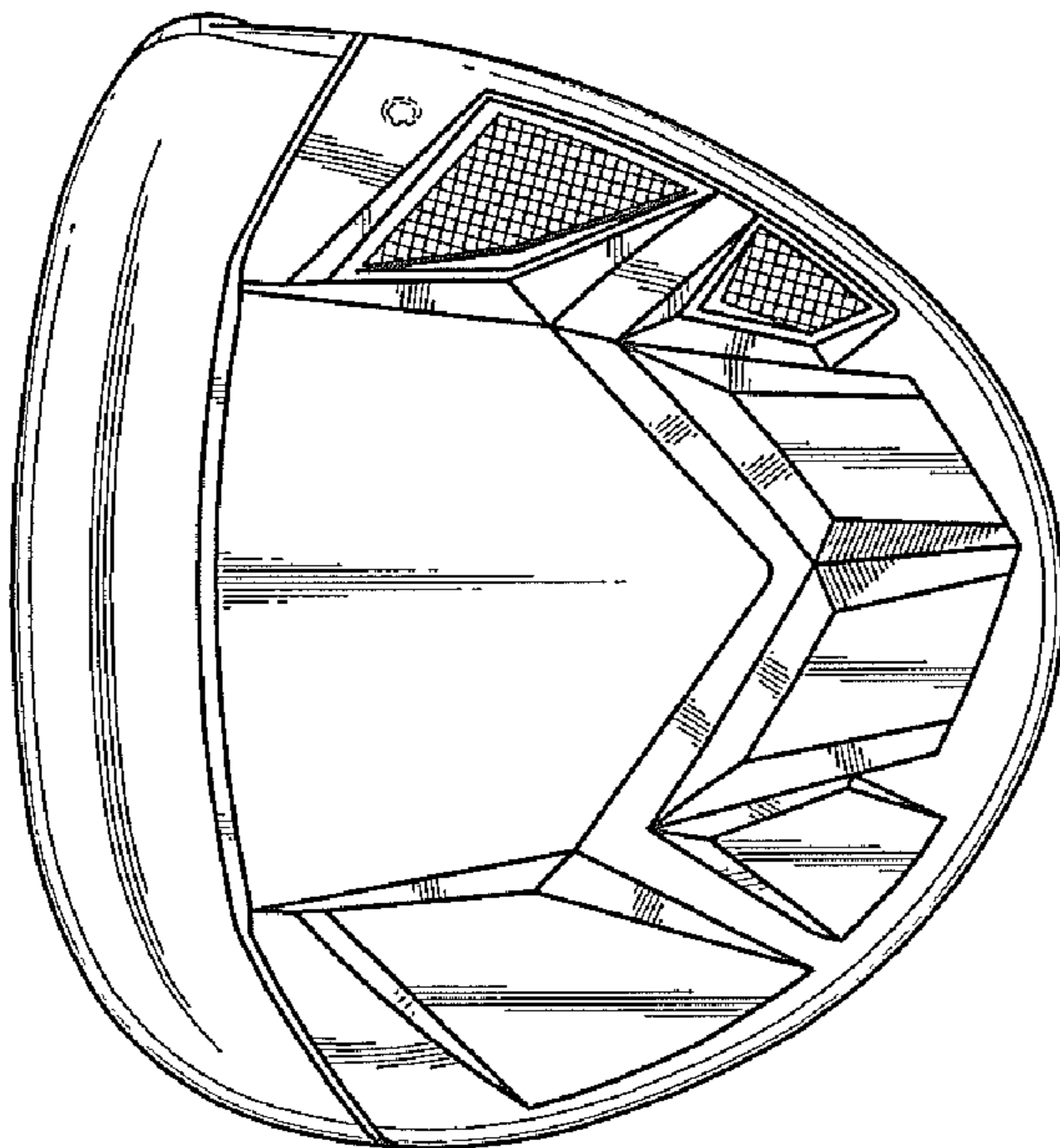
(57) **CLAIM**

The ornamental design for a golf club head, as shown and described.

DESCRIPTION

FIG. 1 is a bottom plan view of a golf club head;
FIG. 2 is a front elevational view thereof;
FIG. 3 is a top plan view thereof;
FIG. 4 is a toe elevational view thereof;
FIG. 5 is a heel elevational view thereof;
FIG. 6 is a top perspective view thereof; and,
FIG. 7 is a rear elevational view thereof.
The broken lines showing of the striking face and site marking is for illustrative purposes only and forms no part of the claimed design.

1 Claim, 2 Drawing Sheets



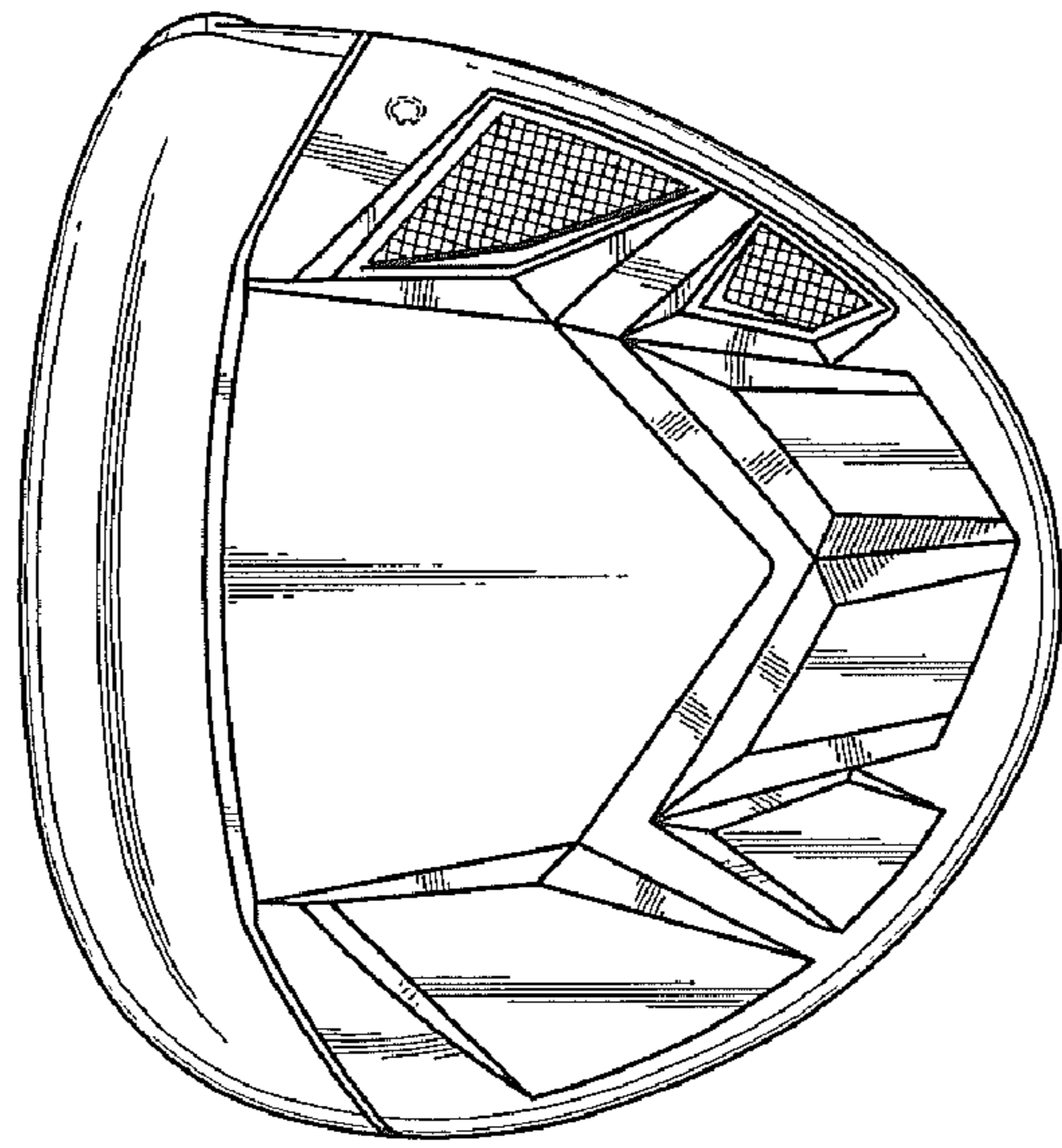


FIG. 1

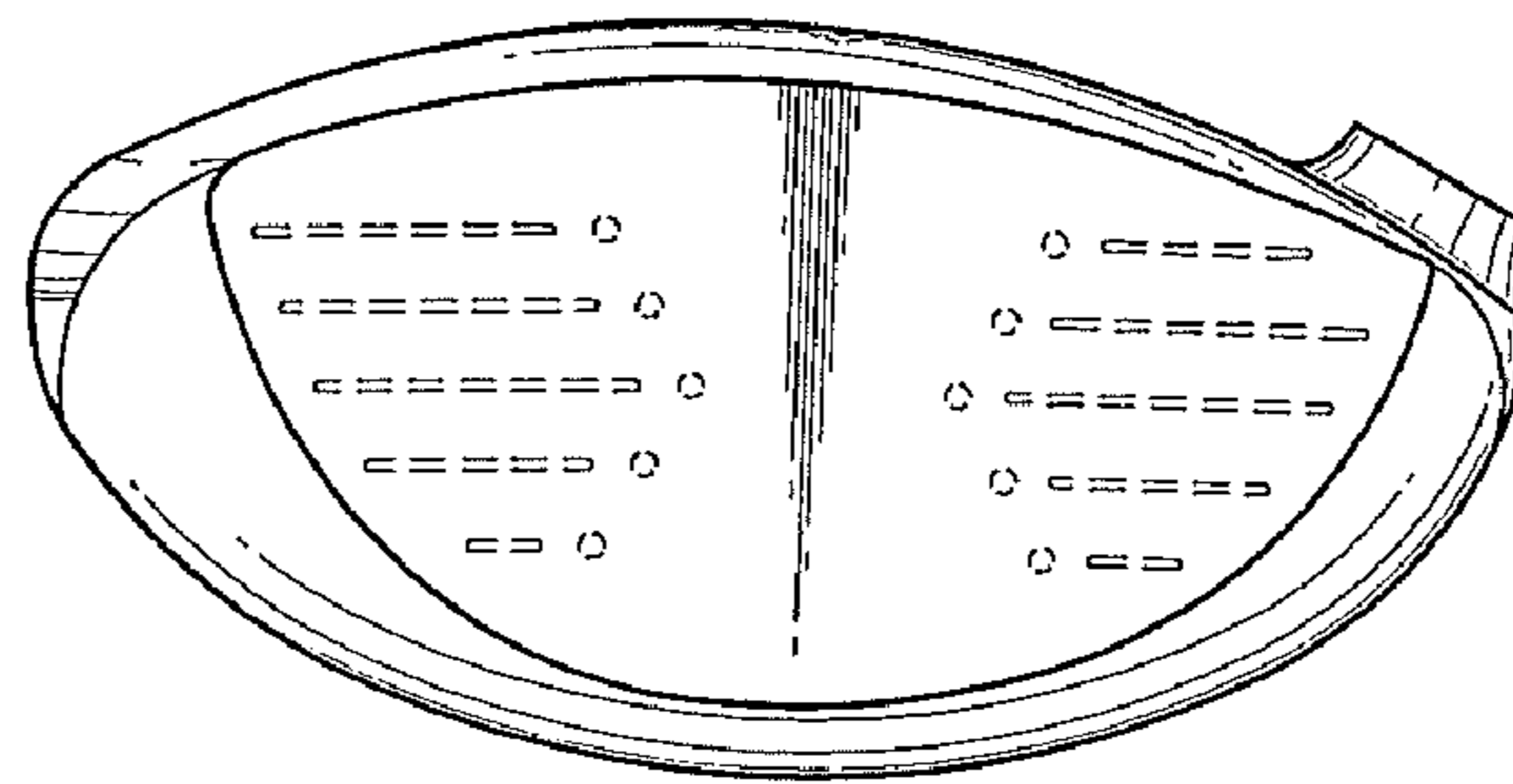


FIG. 2

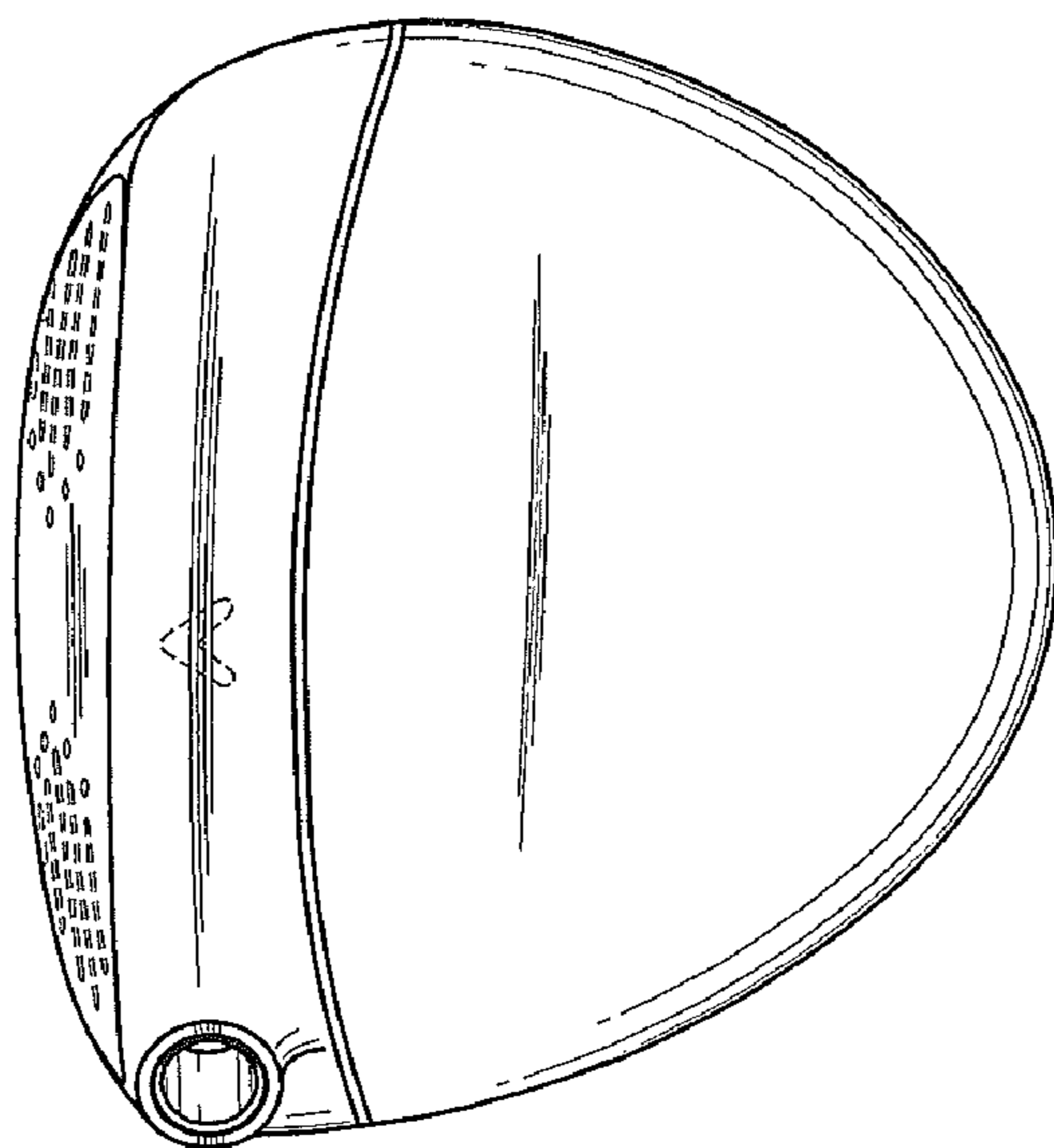


FIG. 3

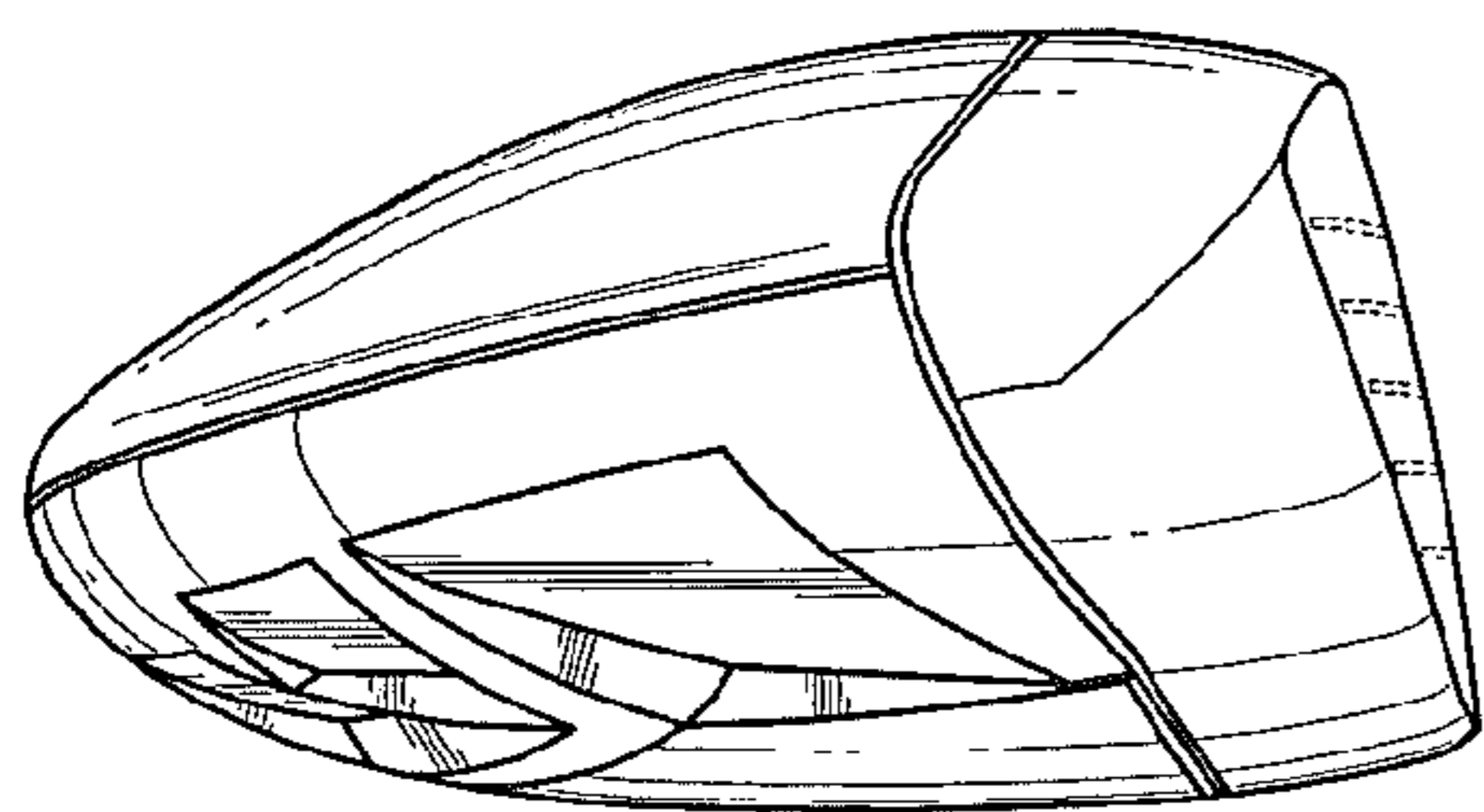


FIG. 4

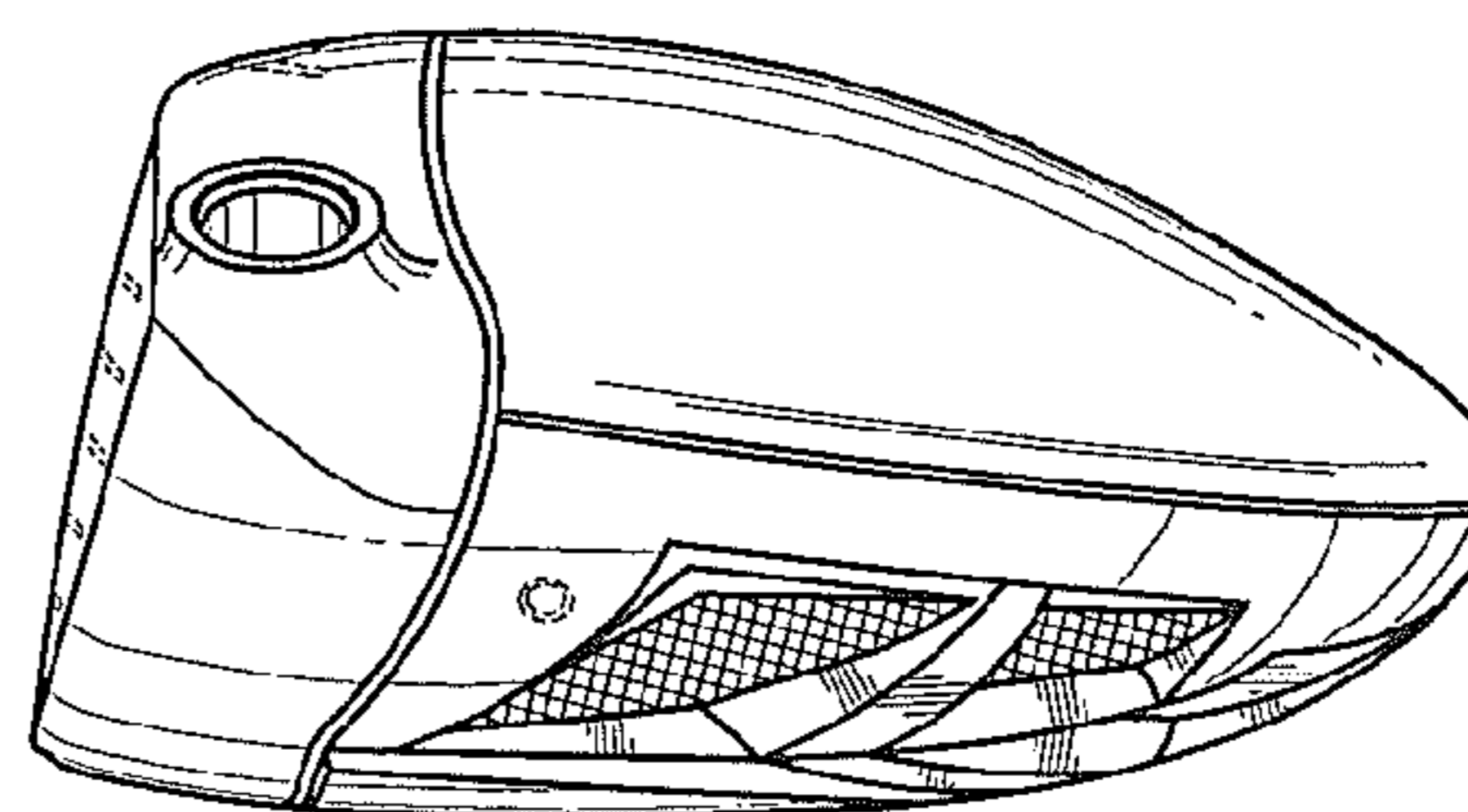


FIG. 5

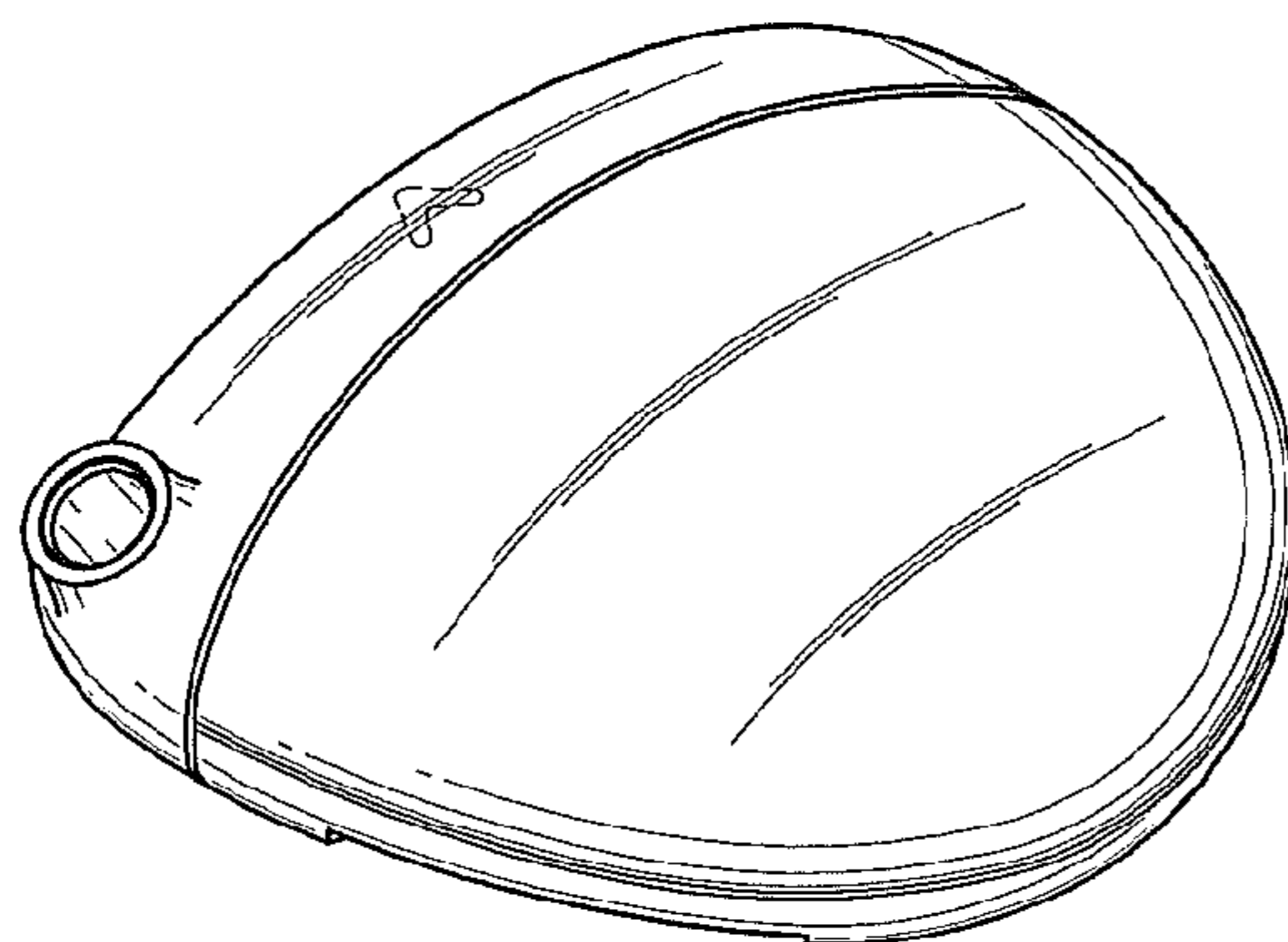


FIG. 6

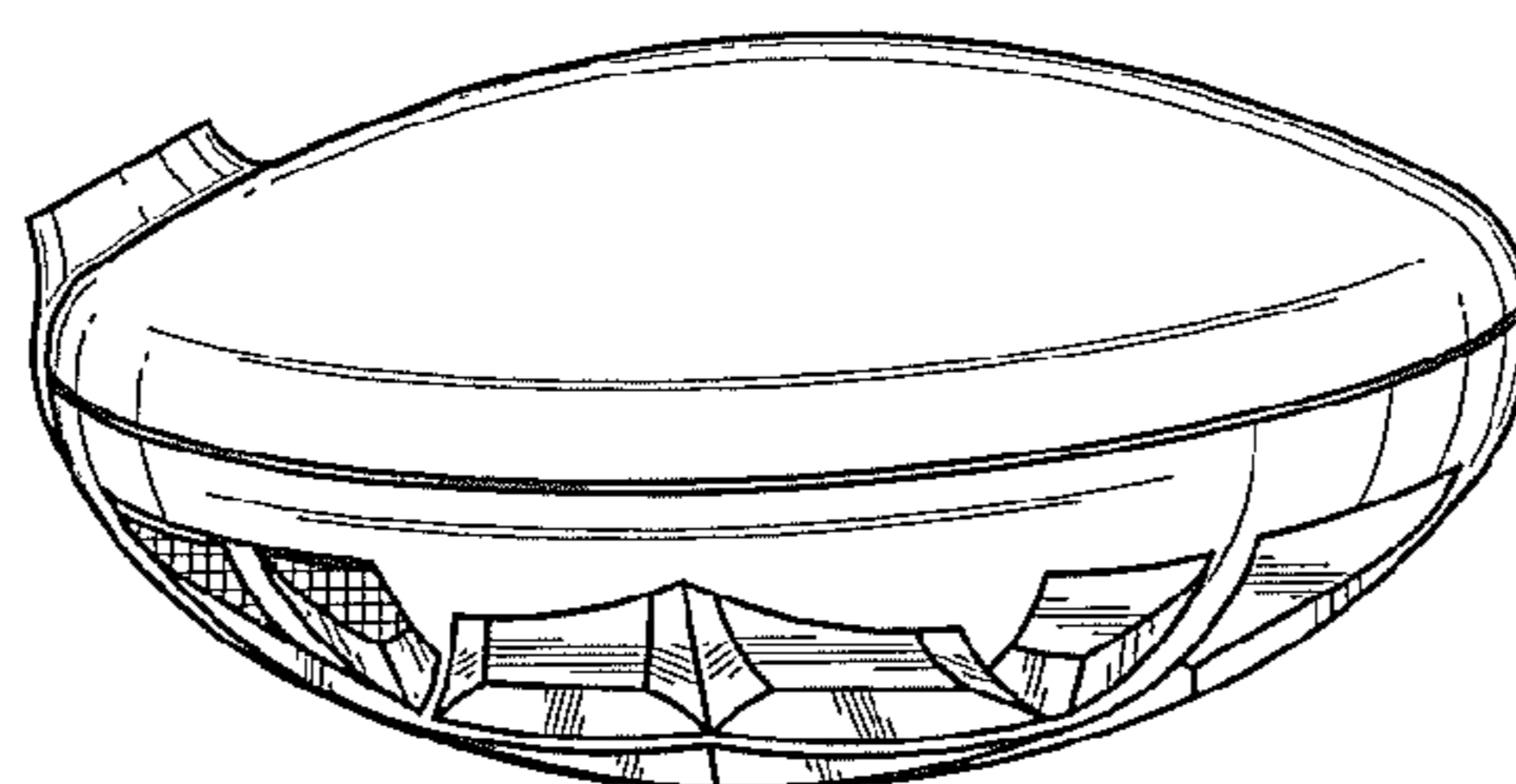


FIG. 7