



US00D637668S

(12) **United States Design Patent**
Welch

(10) **Patent No.:** **US D637,668 S**
(45) **Date of Patent:** **** May 10, 2011**

(54) **LOBSTER-SHAPED BALL**

(76) Inventor: **James Douglas Welch**, Austin, TX (US)

(**) Term: **14 Years**

(21) Appl. No.: **29/370,828**

(22) Filed: **Sep. 10, 2010**

(51) **LOC (9) Cl.** **21-02**

(52) **U.S. Cl.** **D21/714; D21/438; D21/597**

(58) **Field of Classification Search** D21/707-714,
D21/597-603, 438-440, 808, 473; 446/220-226,
446/153-159, 267, 268, 320, 369, 370, 373,
446/385, 486, 487, 490, 491; 473/569-614;
472/128, 129, 134; 441/129

See application file for complete search history.

(56) **References Cited**

U.S. PATENT DOCUMENTS

5,338,027	A *	8/1994	Rehkemper et al.	473/573
D350,577	S *	9/1994	Giudice	D21/712
6,126,510	A *	10/2000	Weiss, Jr.	446/486
D441,816	S *	5/2001	Welch	D21/714
D441,817	S *	5/2001	Welch	D21/714

FOREIGN PATENT DOCUMENTS

CN	3616148	*	2/2007
CN	300791237	*	6/2008
CN	300929135	*	5/2009
GB	D2042444	*	2/1995
WO	D059595-019	*	5/2002

OTHER PUBLICATIONS

Hong Kong Toys Jan. 2003, 1) p. 397: "Water Bomb Pet" 2) p. 579: Lobster item No. W2111 SHP.*

Oriental Trading® Company, Inc. Spring 2004 Catalog, 1) p. 33: Inflate Jumbo Lobster; 2) p. 35: Inflate Tropical Creature-Shaped Beach Balls.*

* cited by examiner

Primary Examiner — Catherine Tuttle

(74) *Attorney, Agent, or Firm* — David O. Simmons

(57) **CLAIM**

The ornamental design for a lobster-shaped ball, as shown and described.

DESCRIPTION

FIG. 1 is a left side view of a lobster-shaped ball in accordance with the present invention, the opposite side being a mirror image;

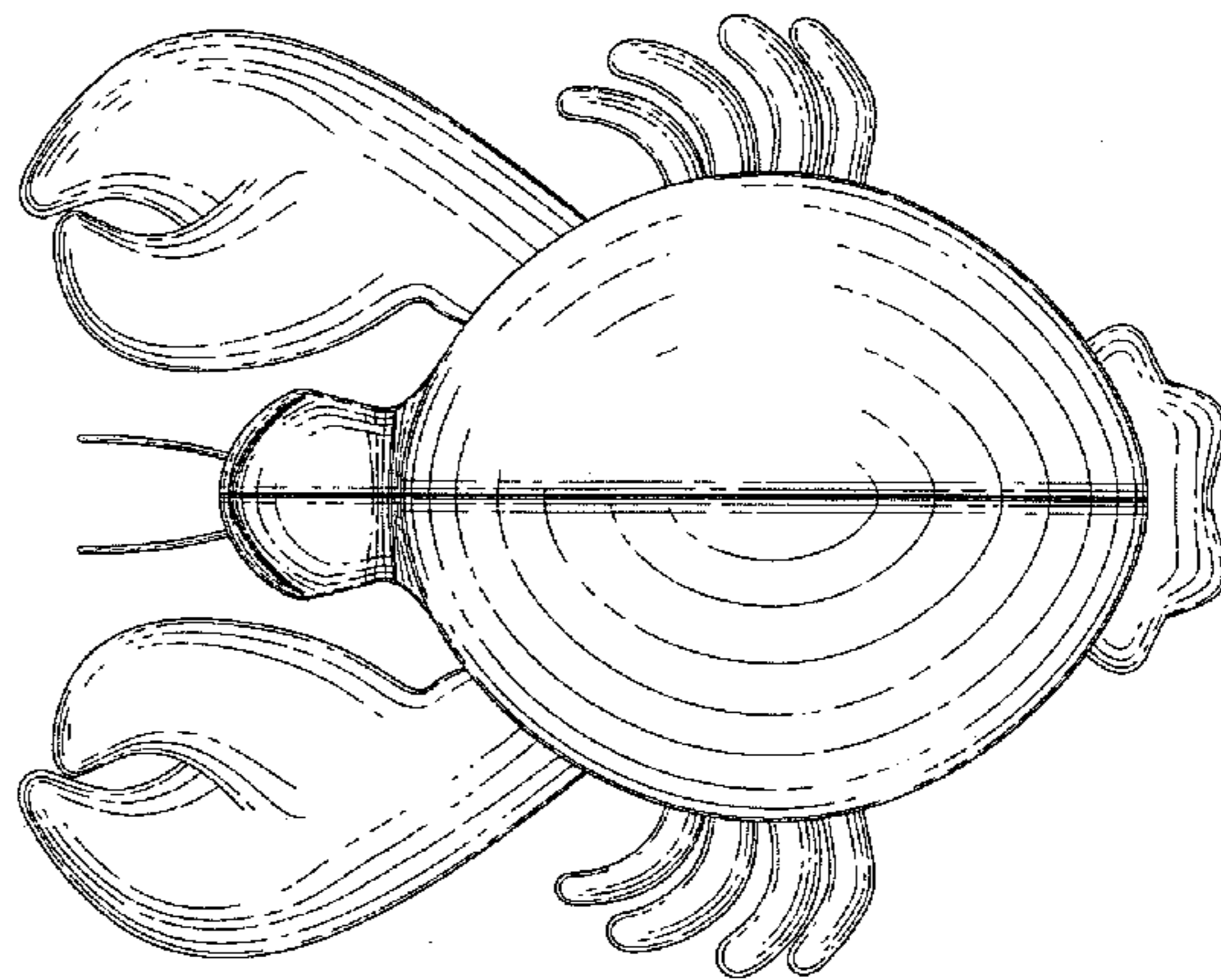
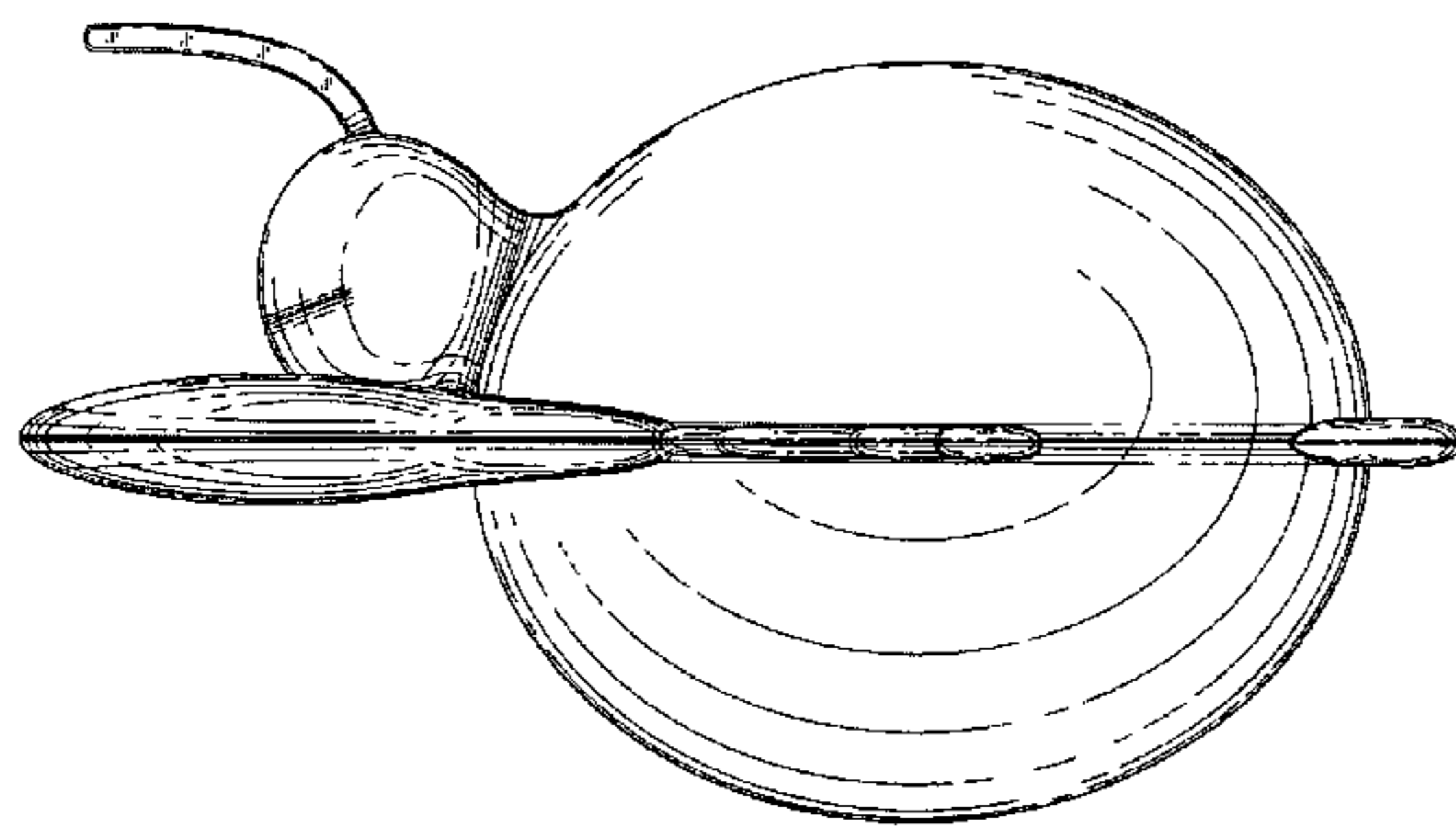
FIG. 2 is a top view of the lobster-shaped ball shown in FIG. 1;

FIG. 3 is a bottom view of the lobster-shaped ball shown in FIG. 1;

FIG. 4 is a front view of the lobster-shaped ball shown in FIG. 1; and,

FIG. 5 is a rear view of the lobster-shaped ball shown in FIG. 1.

1 Claim, 3 Drawing Sheets



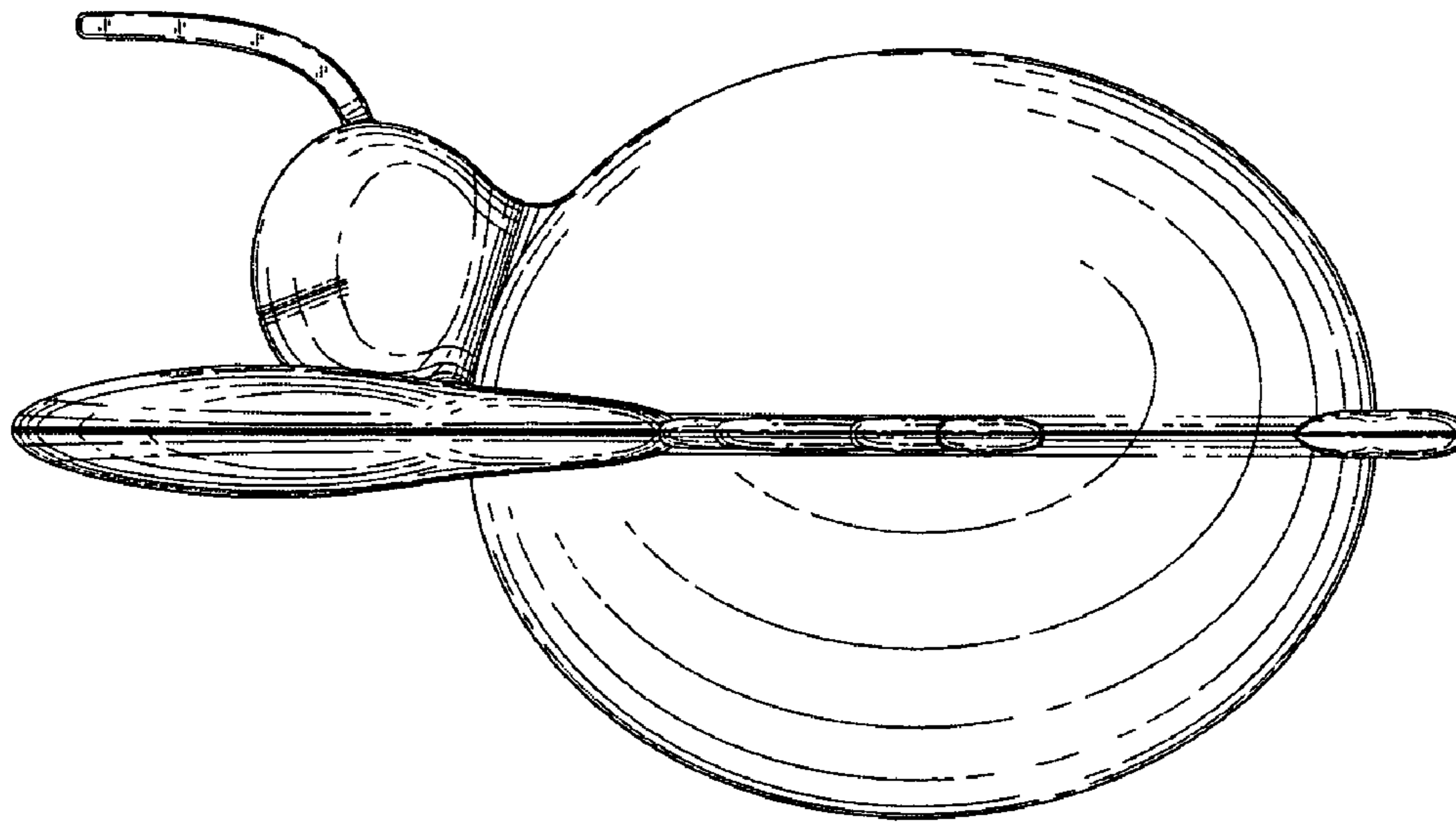


FIG. 1

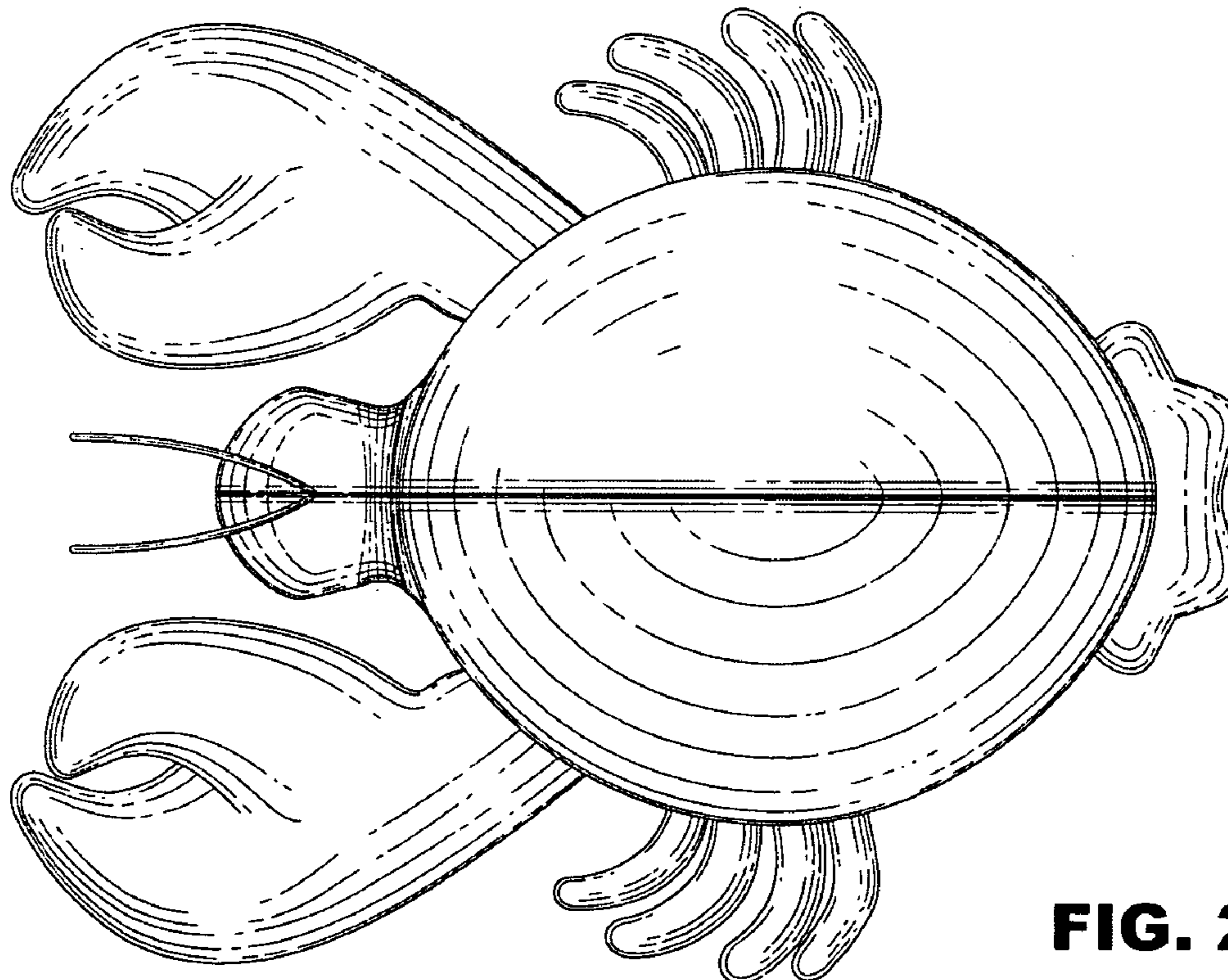


FIG. 2

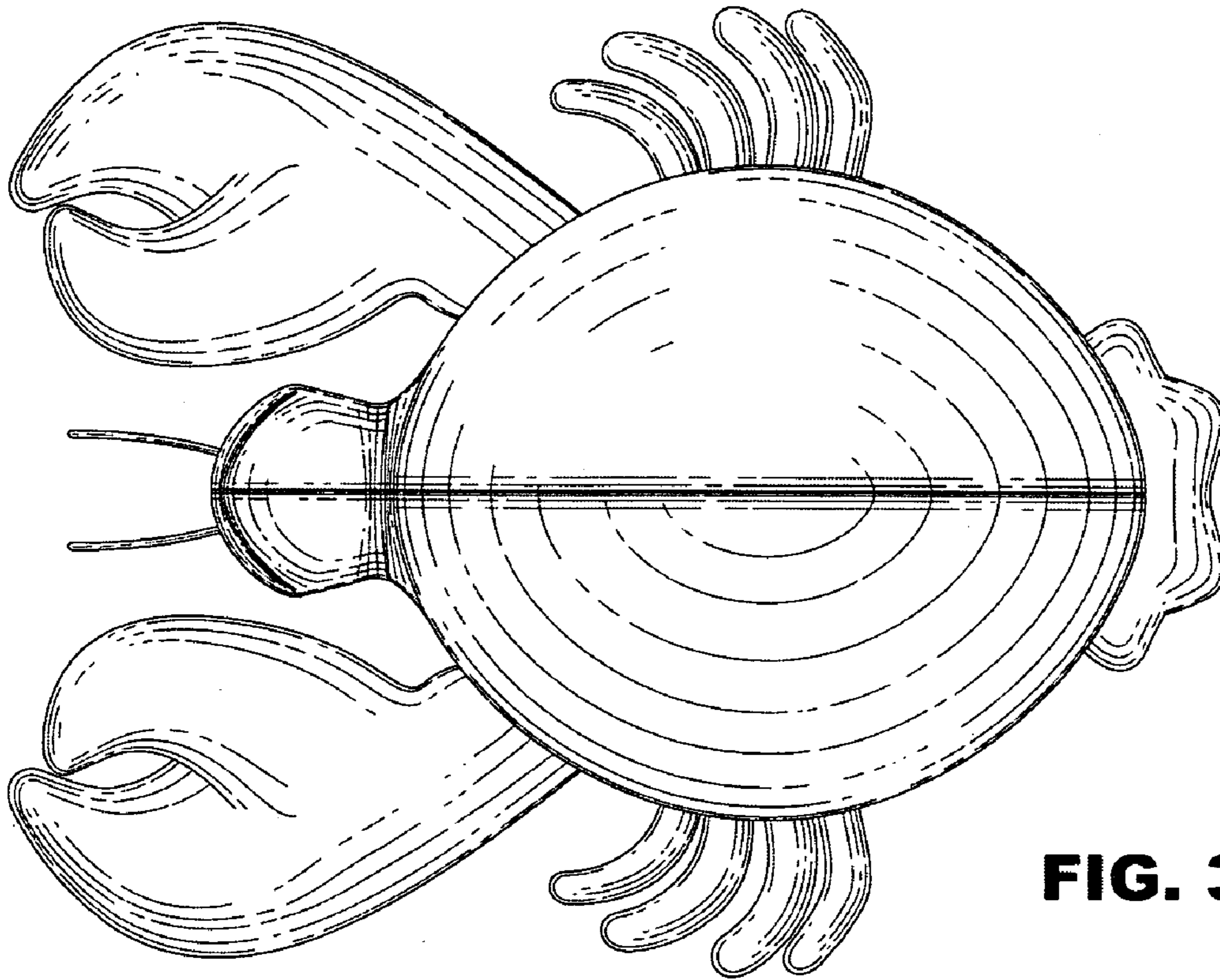


FIG. 3

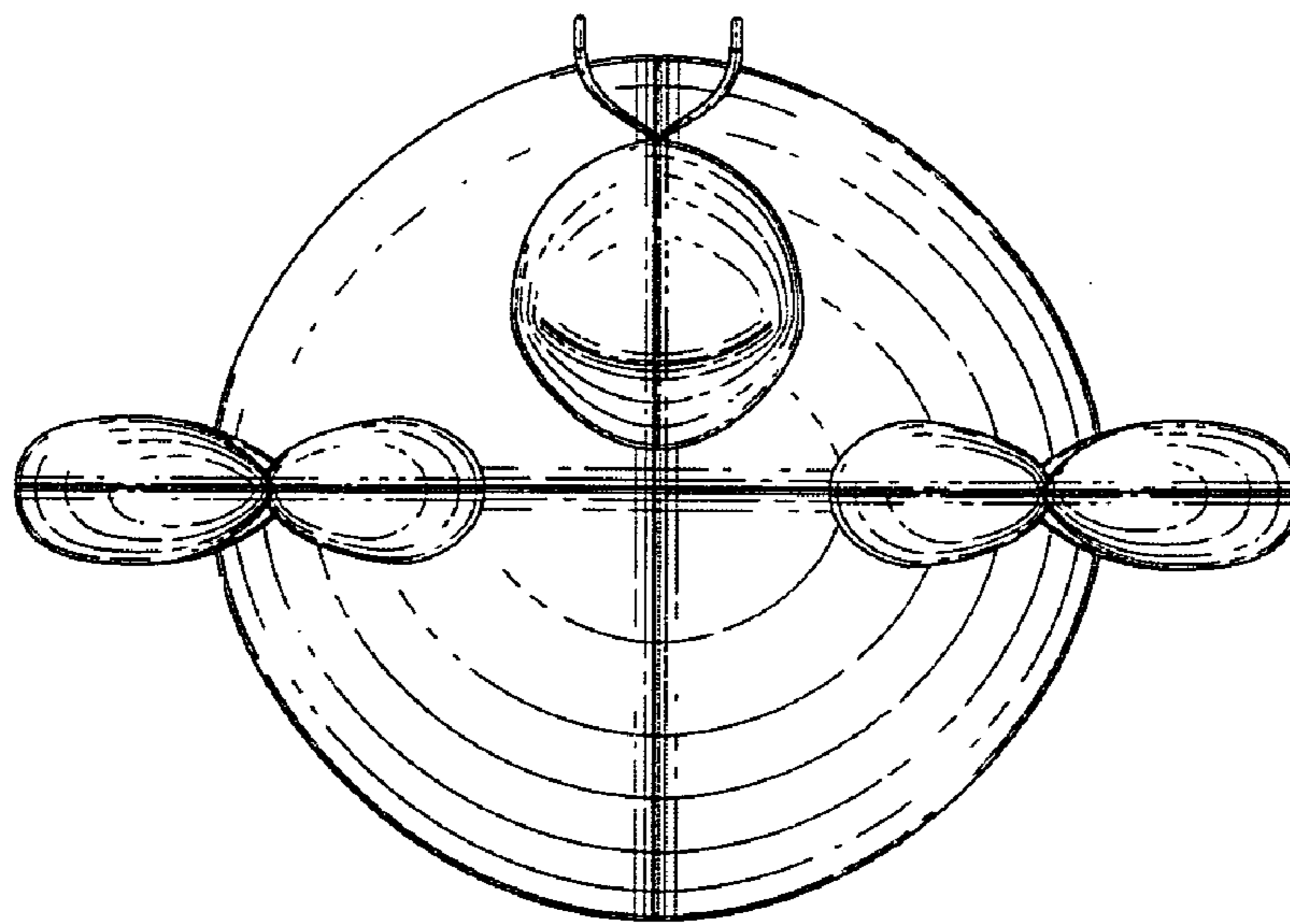


FIG. 4

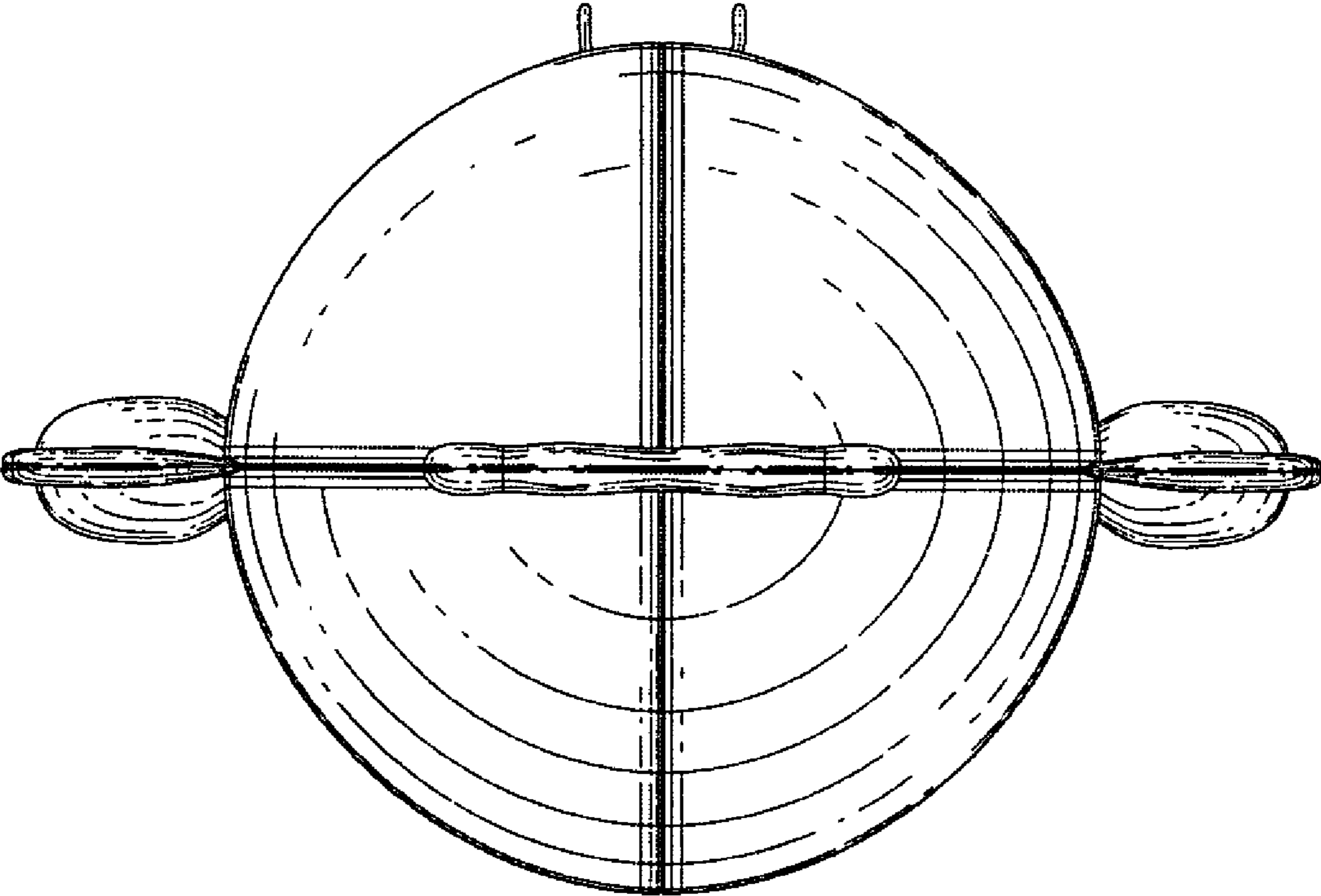


FIG. 5