

US00D637664S

(12) **United States Design Patent**
Battison

(10) **Patent No.:** **US D637,664 S**

(45) **Date of Patent:** **** May 10, 2011**

- (54) **PEDAL EXERCISER**
- (75) Inventor: **Joseph Battison**, Sutherland, VA (US)
- (73) Assignee: **Tubular Fabricators Industry, Inc.**, Petersburg, VA (US)
- (**) Term: **14 Years**
- (21) Appl. No.: **29/368,109**
- (22) Filed: **Aug. 18, 2010**

Related U.S. Application Data

- (63) Continuation of application No. 12/129,029, filed on May 29, 2008, now abandoned.
 - (51) **LOC (9) Cl.** **21-02**
 - (52) **U.S. Cl.** **D21/663**
 - (58) **Field of Classification Search** D21/662, D21/663-669; 482/51, 53, 57, 60, 62-63, 482/65, 95-96, 146
- See application file for complete search history.

References Cited

U.S. PATENT DOCUMENTS

- 351,311 A 10/1886 Conkling
- 2,668,709 A 2/1954 Boyko
- D193,437 S * 8/1962 Maratta D21/665
- 3,057,201 A 10/1962 Jaeger
- 3,259,385 A * 7/1966 Boren 482/60
- D209,065 S * 10/1967 Weiss D21/665
- D219,663 S * 1/1971 Thompson D21/663
- 3,563,541 A * 2/1971 Sanquist 482/51
- 3,578,800 A 5/1971 DiNepi
- D224,329 S * 7/1972 Hjelmquist D21/663
- D225,070 S * 11/1972 Proctor D21/663
- 3,751,033 A 8/1973 Rosenthal
- 3,758,111 A 9/1973 Agamian
- 3,762,703 A 10/1973 Gibbs
- 3,768,495 A 10/1973 Smith

- D233,160 S * 10/1974 Jouk D21/663
- 3,910,571 A 10/1975 Stenn
- 4,140,312 A 2/1979 Buchmann
- 4,373,716 A 2/1983 Pagani
- 4,390,177 A * 6/1983 Biran et al. 482/60
- D279,700 S * 7/1985 Beistegui Chirapoza ... D21/667
- 4,555,109 A 11/1985 Hartmann
- D281,710 S * 12/1985 Kirby D21/663
- 4,577,860 A 3/1986 Matias
- 4,616,668 A 10/1986 Battison
- 4,645,199 A 2/1987 Bloemendaal
- 4,720,094 A 1/1988 Danchulis
- D297,153 S * 8/1988 Smith D21/663
- 4,838,547 A 6/1989 Sterling
- 4,928,673 A 5/1990 Heneger
- 4,932,649 A 6/1990 Chen
- 4,961,569 A 10/1990 Roberge
- 4,962,925 A 10/1990 Chang
- 4,971,317 A * 11/1990 Link 482/57
- 4,973,046 A 11/1990 Maxwell
- 5,000,444 A 3/1991 Dalebout et al.

(Continued)

FOREIGN PATENT DOCUMENTS

CH 611167 5/1979

(Continued)

Primary Examiner — Susan E Krakower

(74) *Attorney, Agent, or Firm* — Thomas & Karceski, P.C.

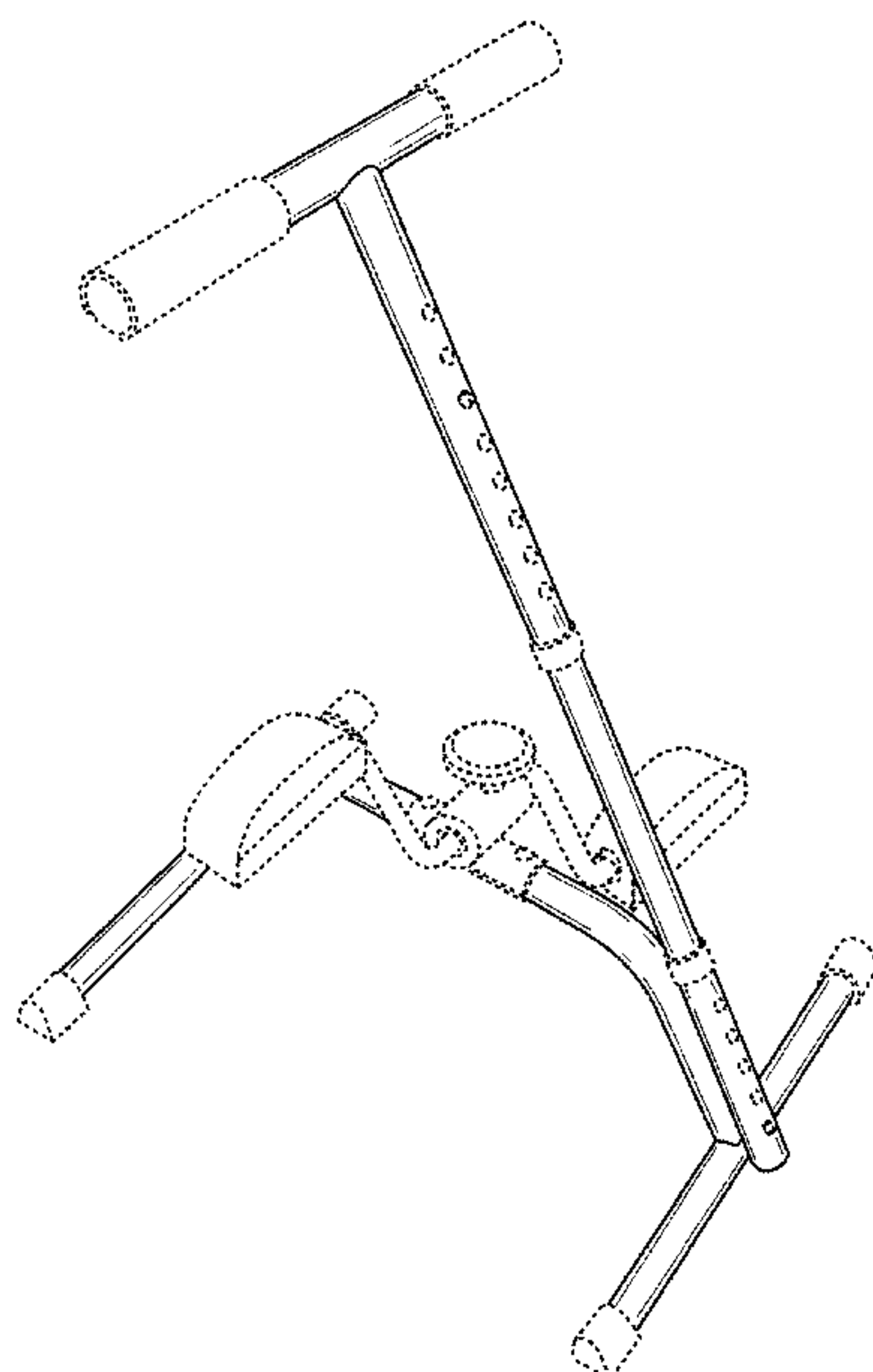
(57) **CLAIM**

The ornamental design for a pedal exerciser, as shown and described.

DESCRIPTION

FIG. 1 is a perspective view of a pedal exerciser showing my new design; and, FIG. 2 is a right side view thereof. The broken lines show environmental elements of the pedal exerciser which form no part of the claimed design.

1 Claim, 2 Drawing Sheets



US D637,664 S

Page 2

U.S. PATENT DOCUMENTS

5,005,825 A 4/1991 Fogel
D319,479 S * 8/1991 Hur-Aoun D21/665
5,039,088 A 8/1991 Shifferaw
5,108,092 A 4/1992 Hurst
5,160,302 A 11/1992 Li
5,201,334 A 4/1993 Tseng
5,246,410 A 9/1993 Fun
5,284,461 A 2/1994 Wilkinson et al.
5,336,147 A 8/1994 Sweeney, III
5,338,272 A 8/1994 Sweeney, III
5,344,376 A 9/1994 Bostic et al.
5,352,169 A 10/1994 Eschenbach
5,356,357 A * 10/1994 Wang et al. 482/96
D358,437 S * 5/1995 Wang et al. D21/665
5,441,467 A 8/1995 Stevens
5,482,070 A 1/1996 Kelly
5,496,236 A 3/1996 Buonaiuto
5,496,241 A 3/1996 Sellers
5,518,470 A 5/1996 Piaget et al.
5,545,111 A * 8/1996 Wang et al. 482/53
5,580,338 A 12/1996 Scelta et al.
5,586,959 A 12/1996 Adkins et al.
5,601,515 A 2/1997 Matsumoto
5,630,774 A * 5/1997 Geschwender 482/57
5,634,870 A 6/1997 Wilkinson
5,647,825 A * 7/1997 Adkins et al. 482/96
5,669,856 A 9/1997 Liu
5,741,204 A 4/1998 Lee
5,746,683 A 5/1998 Lee
5,749,809 A 5/1998 Lin
5,800,313 A 9/1998 Yu
5,823,915 A 10/1998 Chen
5,833,575 A 11/1998 Holslag
5,833,583 A 11/1998 Chuang
5,902,216 A 5/1999 Lee
5,924,961 A 7/1999 Kuo et al.
5,971,892 A 10/1999 Lee
5,971,894 A 10/1999 Chen
5,989,162 A 11/1999 Daniels
6,001,046 A 12/1999 Chang
6,027,432 A 2/2000 Cheng
6,039,676 A 3/2000 Clive
6,066,076 A 5/2000 Wang et al.

D429,508 S * 8/2000 Clive D21/663
6,162,150 A 12/2000 Lee
6,179,752 B1 1/2001 Chang
6,244,989 B1 6/2001 Chen
6,290,629 B1 9/2001 Vargas, III et al.
6,494,813 B2 * 12/2002 Chen 482/53
6,851,438 B2 2/2005 Battiston
D522,076 S * 5/2006 Casey D21/687
7,041,037 B2 * 5/2006 Huang 482/53
7,160,231 B2 * 1/2007 Kazemi 482/60
7,393,308 B1 7/2008 Huang
7,427,255 B2 9/2008 Fan
2001/0032662 A1 10/2001 Battiston
2002/0004439 A1 1/2002 Galbraith et al.
2003/0036461 A1 2/2003 Yang
2003/0064863 A1 4/2003 Chen
2003/0064866 A1 4/2003 Chen
2003/0069110 A1 4/2003 Chang
2003/0092536 A1 5/2003 Romanelli et al.
2003/0096675 A1 5/2003 Wang
2003/0096676 A1 5/2003 Chen
2004/0067822 A1 4/2004 Sher
2004/0259694 A1 12/2004 Yang
2005/0043143 A1 2/2005 Chuang
2005/0049116 A1 3/2005 Huang
2005/0079957 A1 4/2005 Bowman et al.
2005/0101449 A1 5/2005 Fan
2005/0233867 A1 10/2005 Fan
2005/0282687 A1 12/2005 Kazemi
2006/0199703 A1 9/2006 Shifferaw
2006/0229166 A1 10/2006 Fan
2007/0037679 A1 * 2/2007 Geeting 482/130
2007/0087910 A1 4/2007 Wang
2007/0099767 A1 5/2007 Harashima
2007/0173381 A1 7/2007 Chen et al.
2008/0085819 A1 4/2008 Yang
2008/0119334 A1 5/2008 Peng
2008/0153673 A1 6/2008 Lin
2008/0220946 A1 9/2008 Chang

FOREIGN PATENT DOCUMENTS

EP 29408 5/1981

* cited by examiner

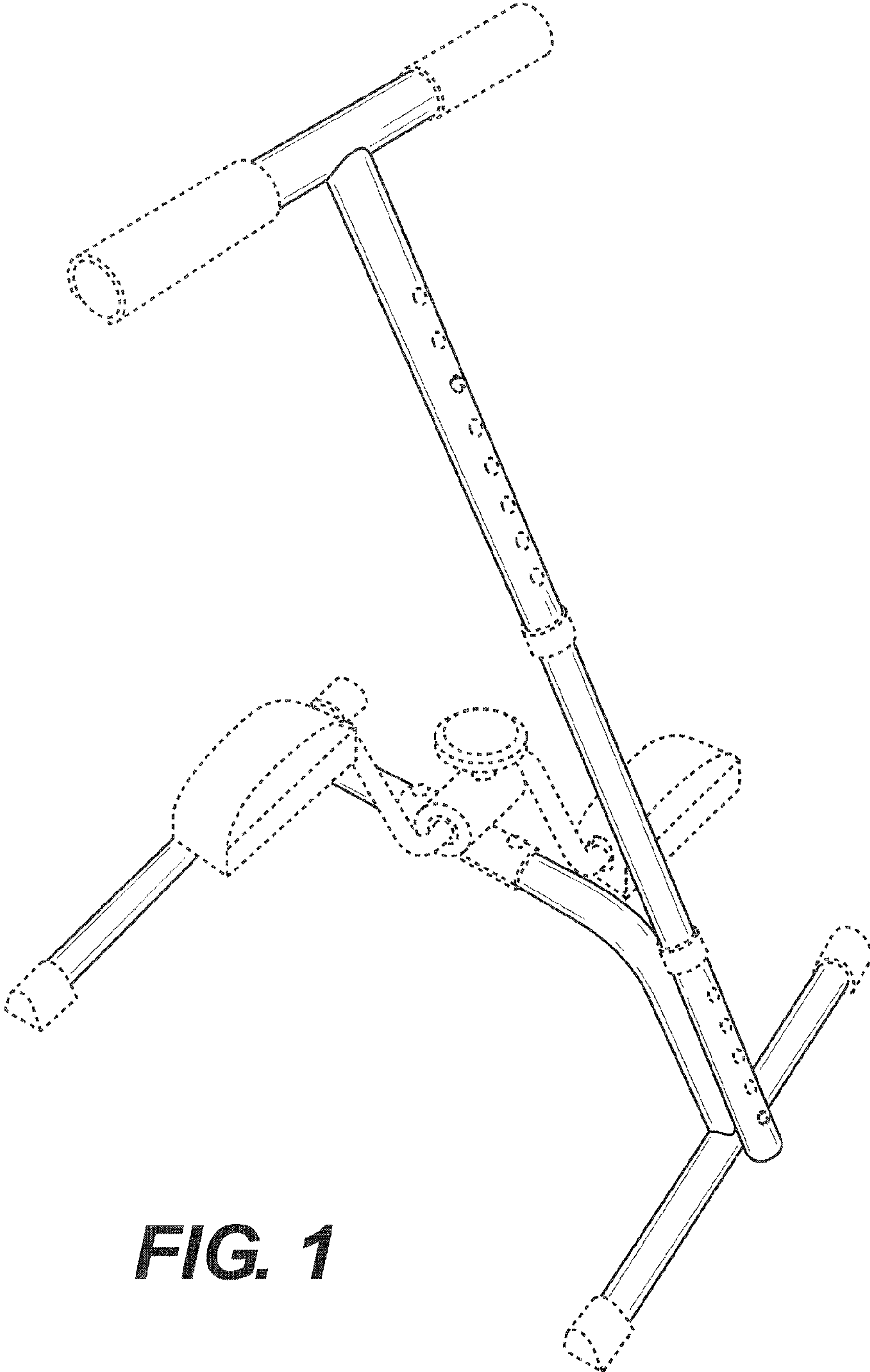


FIG. 1

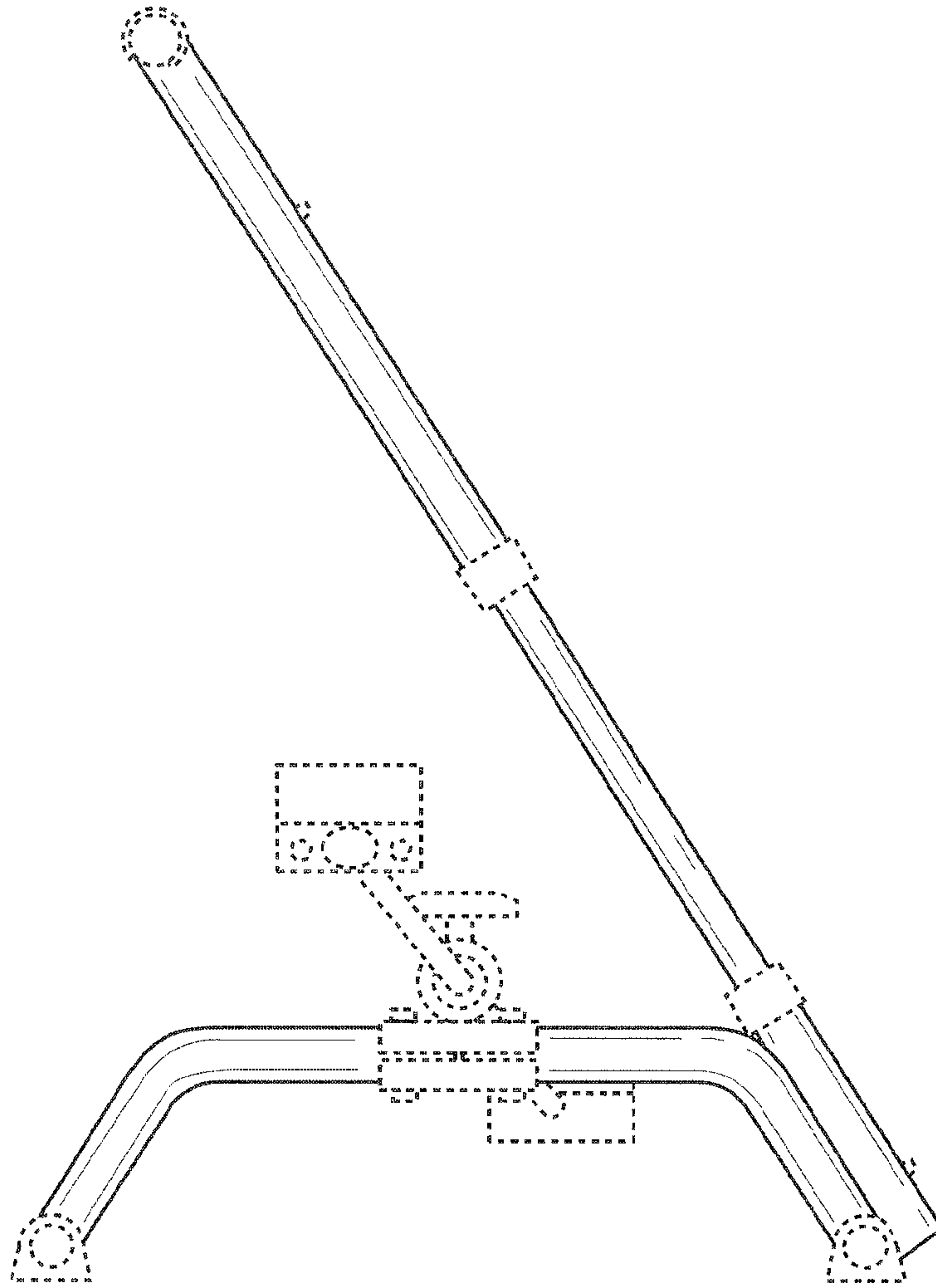


FIG. 2