



US00D637663S

(12) **United States Design Patent**
Boutchee

(10) **Patent No.:** **US D637,663 S**

(45) **Date of Patent:** **** May 10, 2011**

(54) **STUDENT EXERCISE DESK**

(76) **Inventor:** **Arthur G. Boutchee**, Santa Ana, CA
(US)

(**) **Term:** **14 Years**

(21) **Appl. No.:** **29/346,041**

(22) **Filed:** **Oct. 26, 2009**

(51) **LOC (9) Cl.** **21-02**

(52) **U.S. Cl.** **D21/662; D6/495**

(58) **Field of Classification Search** D21/662,
D21/686, 691, 694, 826; 482/57, 72, 94,
482/98-99, 101, 104, 148, 163.1, 188, 188.1,
482/904; D6/329, 480-490, 495; 312/351.3;
D25/126

See application file for complete search history.

(56) **References Cited**

U.S. PATENT DOCUMENTS

D95,970 S * 6/1935 Laughery D6/483
2,380,379 A * 7/1945 Attwood 248/163.1
2,655,387 A * 10/1953 Cramer 280/43.14
D235,096 S * 5/1975 Mohr D25/6

4,309,857 A * 1/1982 Lovering 52/632
D270,410 S * 9/1983 Sogoian D6/480
5,125,608 A * 6/1992 McMaster et al. 248/163.1
5,257,701 A * 11/1993 Edelson 211/149
6,248,048 B1 * 6/2001 Zuckerman et al. 482/142
D480,583 S * 10/2003 Risdall D6/483
D586,157 S * 2/2009 Abate et al. D6/495
7,686,742 B2 * 3/2010 Tischler et al. 482/57

* cited by examiner

Primary Examiner — Susan E Krakower

(74) *Attorney, Agent, or Firm* — Walter A. Hackler

(57) **CLAIM**

The ornamental design for a student exercise desk, as shown and described.

DESCRIPTION

FIG. 1 is a perspective view of a student exercise desk in accordance with the present invention;

FIG. 2 is a front elevation view of the present invention; and, FIG. 3 is a side elevation view of the present invention, the opposite side being a mirror image thereof.

The broken lines illustrate environmental structure showing a desk top and stool which form no part of the claimed design.

1 Claim, 1 Drawing Sheet

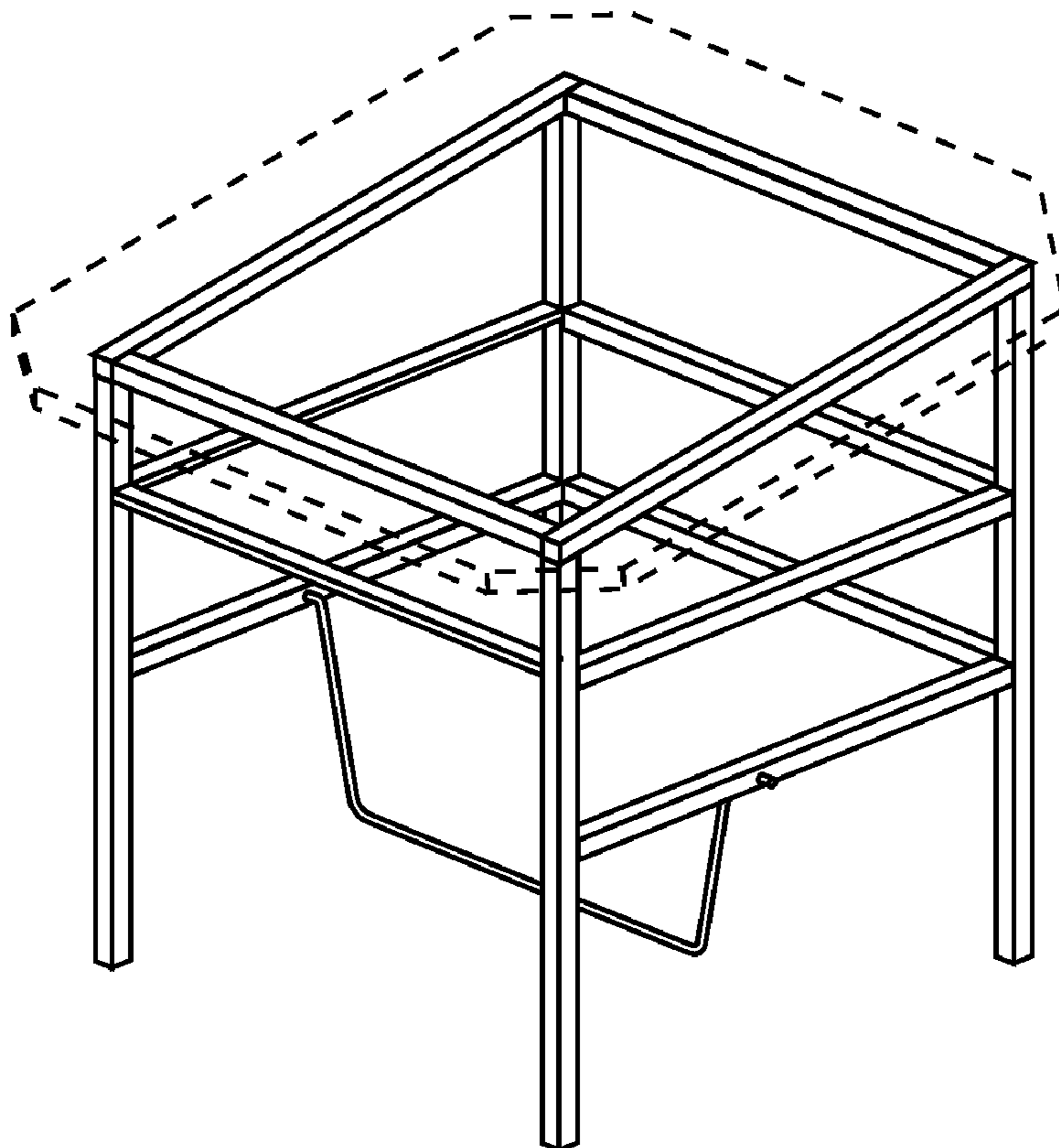


FIG. 1

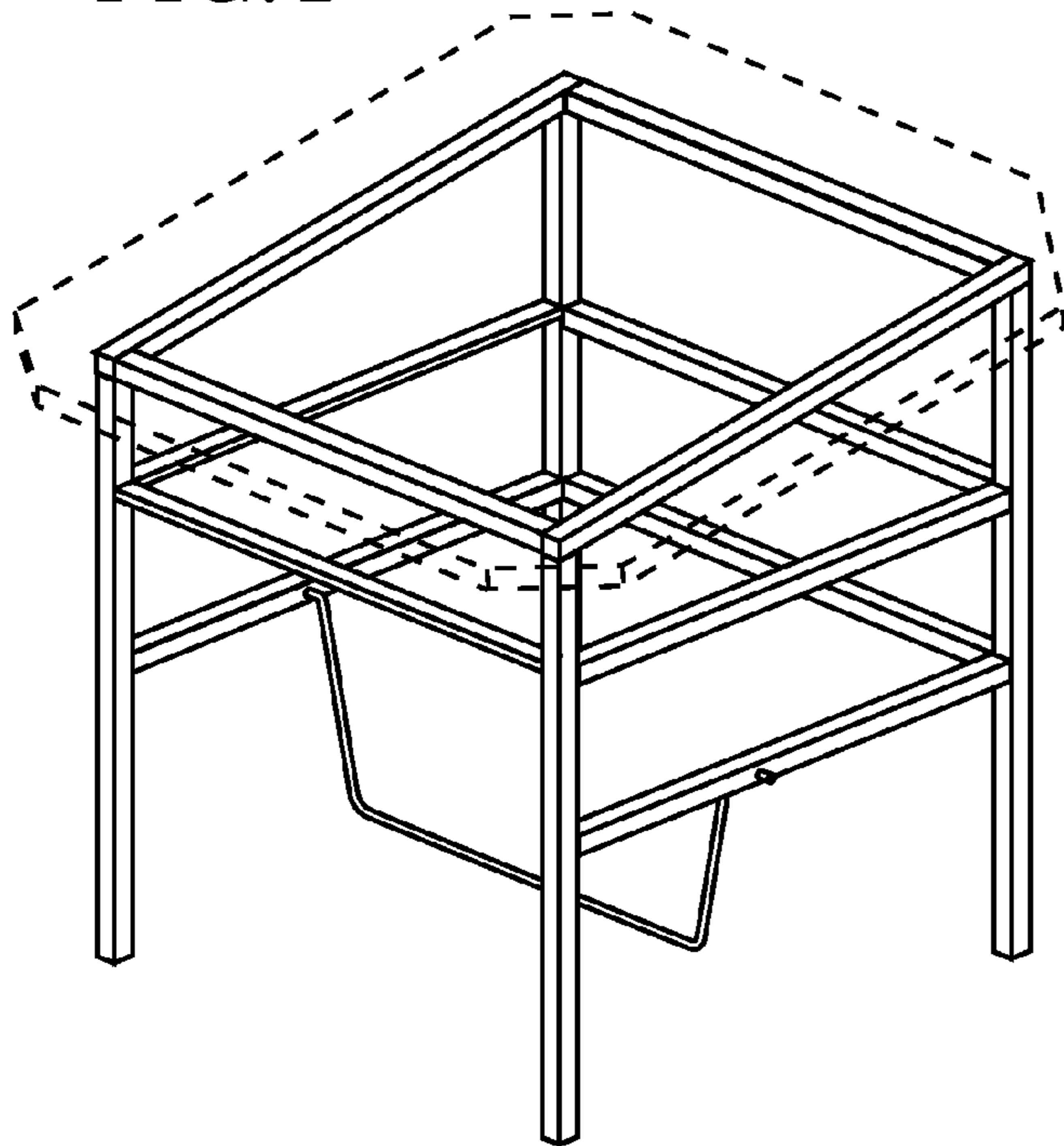


FIG. 2

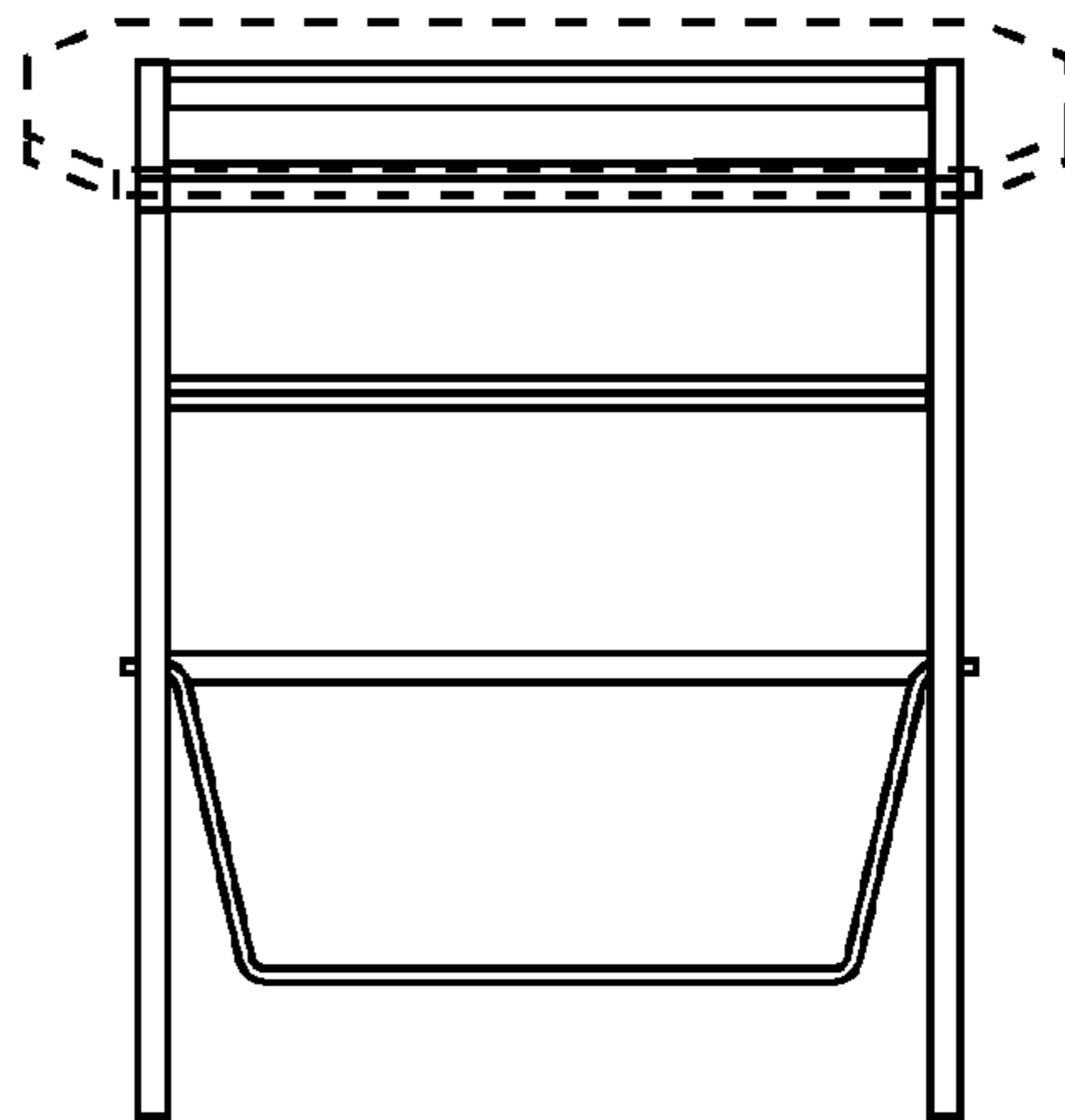


FIG. 3

