



US00D637660S

(12) **United States Design Patent**
Markowitz

(10) **Patent No.:** **US D637,660 S**

(45) **Date of Patent:** **** May 10, 2011**

(54) **RACE CAR**

(75) Inventor: **Lipa Markowitz**, Brooklyn, NY (US)

(73) Assignee: **CTA Digital, Inc.**, Brooklyn, NY (US)

(**) Term: **14 Years**

(21) Appl. No.: **29/367,183**

(22) Filed: **Aug. 4, 2010**

(51) **LOC (9) Cl.** **21-01**

(52) **U.S. Cl.** **D21/424; D21/550; D21/551**

(58) **Field of Classification Search** D21/419,
D21/424, 425, 433, 434, 533, 534, 548–551,
D21/828, 833; D12/87, 108, 129, 130; 280/658,
280/47.25, 87.051, 33.991, 33.993, 33.998;
446/431, 448, 449, 450, 451, 465, 468–471
See application file for complete search history.

(56) **References Cited**

U.S. PATENT DOCUMENTS

D255,810 S *	7/1980	Bretschger	D21/550
D283,829 S	5/1986	Kamikawa	D21/137
D302,708 S *	8/1989	King	D21/433
D328,479 S *	8/1992	Wakimura	D21/549
D330,736 S	11/1992	Silber	D21/78
D359,082 S	6/1995	Aker et al.	D21/78
D368,743 S *	4/1996	Amburgey et al.	D12/108
D426,270 S *	6/2000	Rubau	D21/433
D432,185 S *	10/2000	Hulst	D21/433
D457,926 S *	5/2002	Zweiback et al.	D21/550

D465,814 S *	11/2002	Koveleski	D21/433
D471,936 S *	3/2003	Tilbor et al.	D21/433
D503,952 S *	4/2005	Tung	D21/433
D611,998 S *	3/2010	Pucci	D21/433

OTHER PUBLICATIONS

Plug and Play Inflate a Go Kart, produced by Win-Fun, published on YouTube Sep. 19, 2009.

Plug and Play Inflate a Go Kart, produced by Win-Fun, published at www.willhaben.at—Admitted prior art.

* cited by examiner

Primary Examiner — Cynthia M Chin

(74) *Attorney, Agent, or Firm* — Levisohn Berger LLP

(57) **CLAIM**

The ornamental design for a race car, as shown and described.

DESCRIPTION

FIG. 1 is a front perspective view of the race car showing the present design.

FIG. 2 is a front view thereof.

FIG. 3 is a rear view thereof.

FIG. 4 is a right side view thereof.

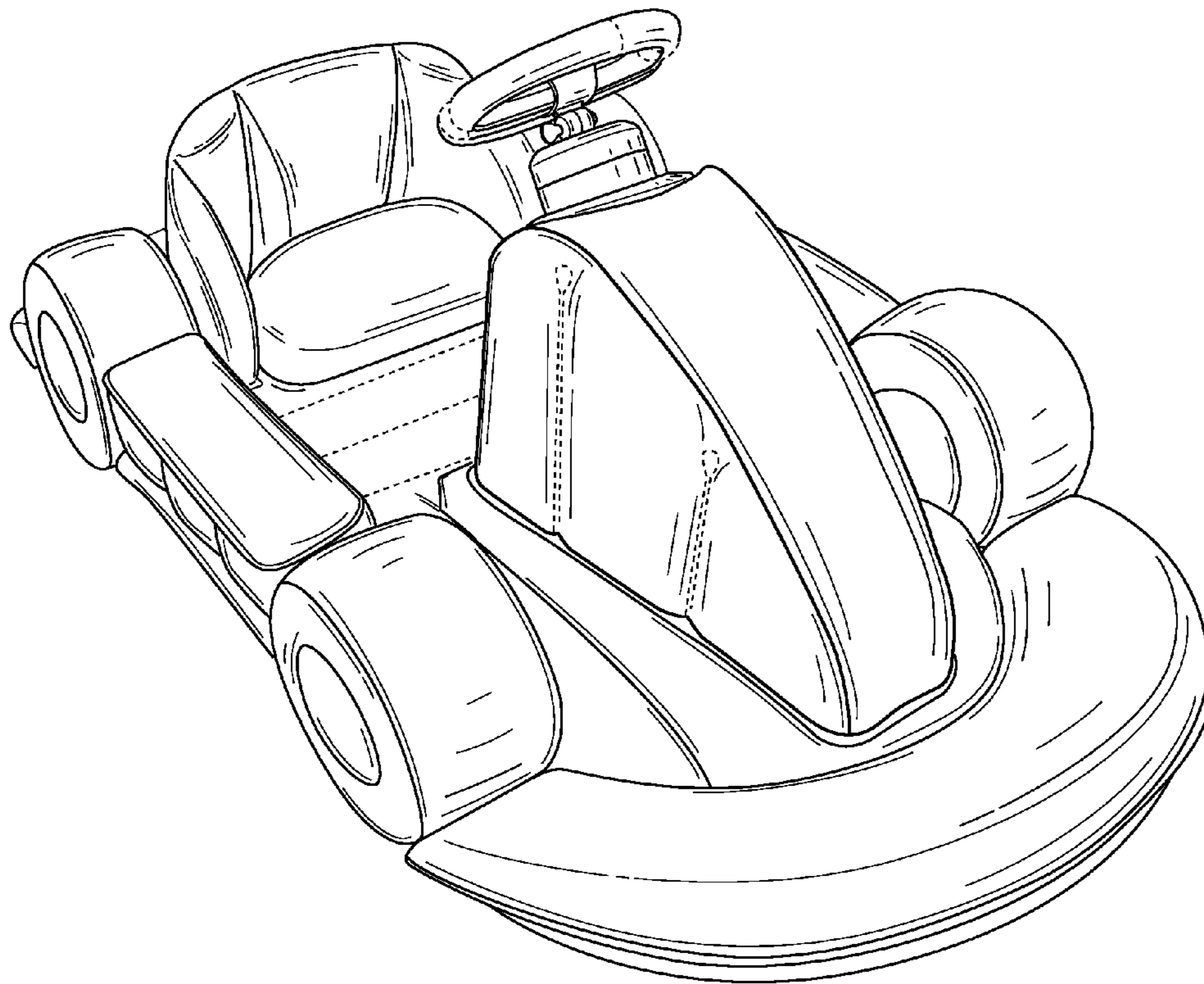
FIG. 5 is a left side view thereof.

FIG. 6 is a top plan view thereof; and,

FIG. 7 is a bottom plan view thereof.

The broken lines shown are included for the purpose of illustrating the unclaimed portions of the race car and form no part of the claimed design.

1 Claim, 6 Drawing Sheets



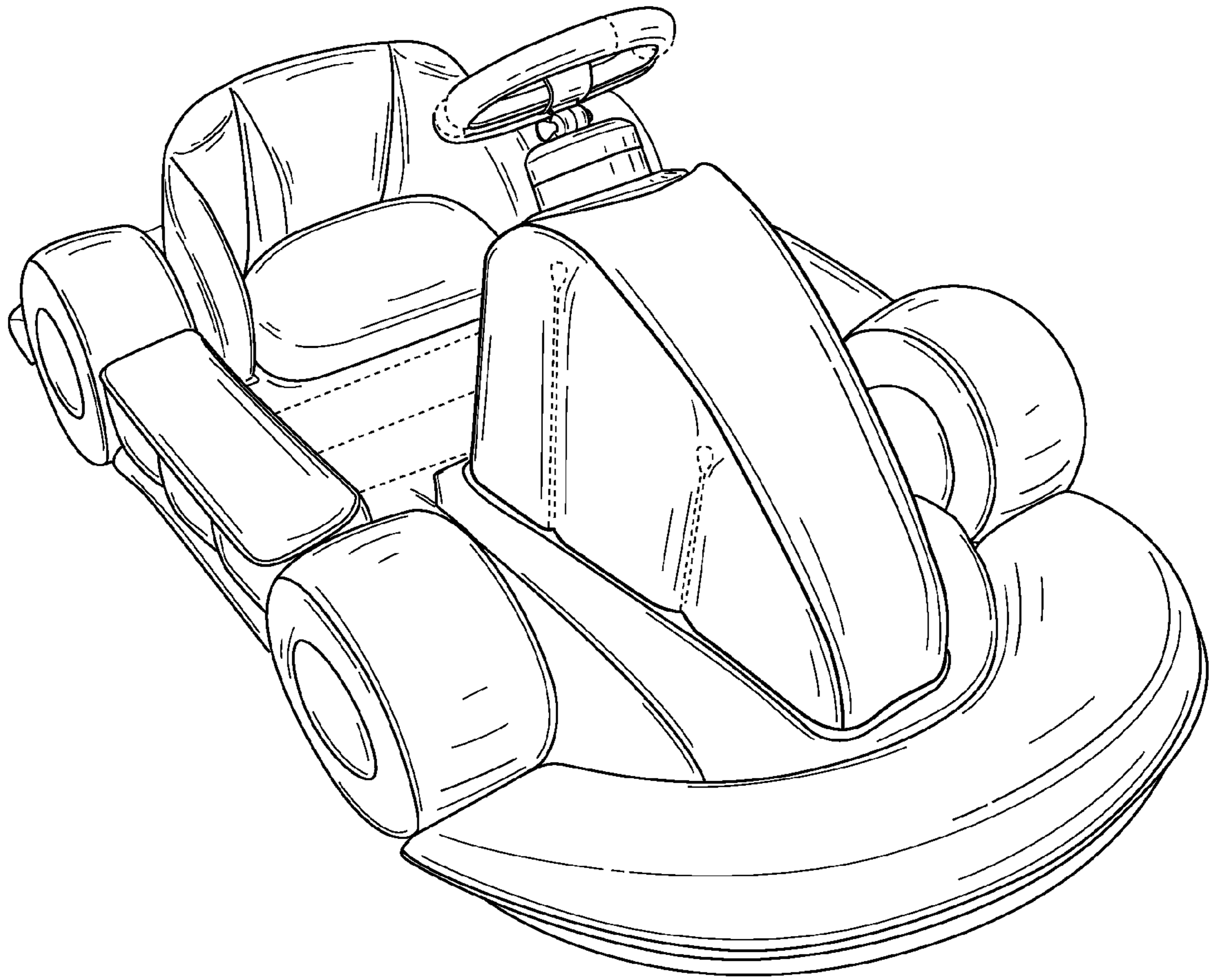


FIG. 1

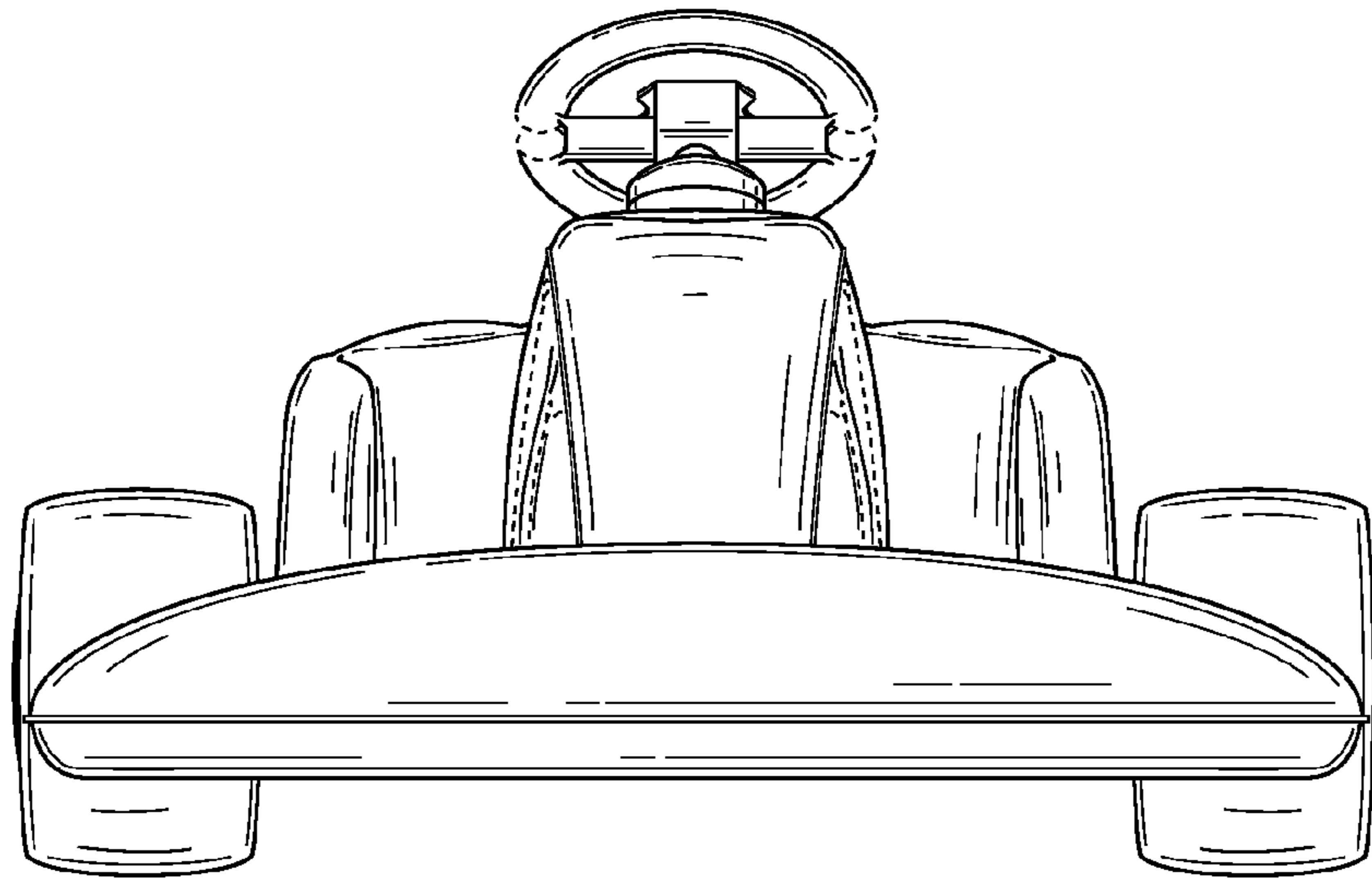


FIG. 2

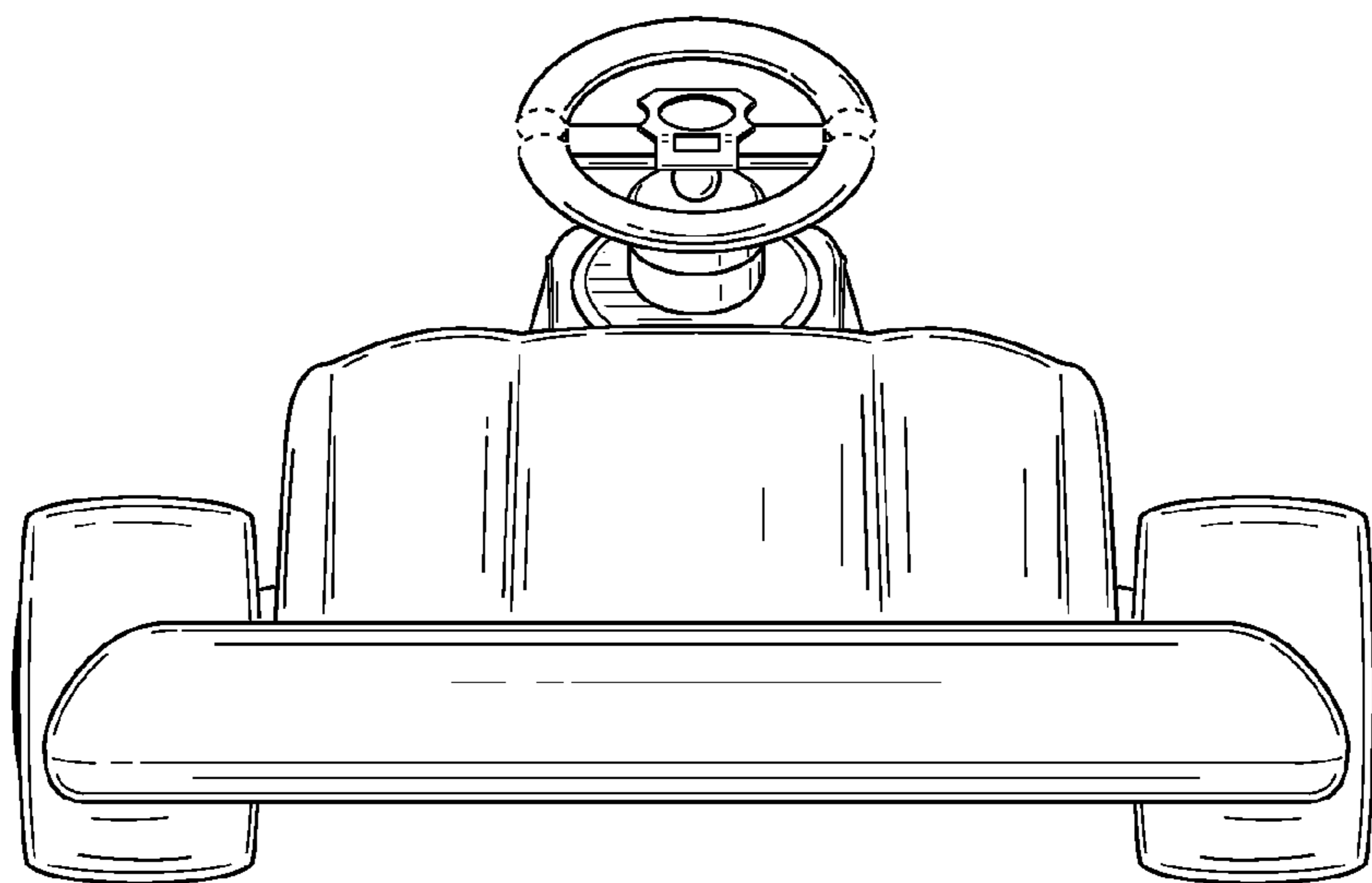


FIG. 3

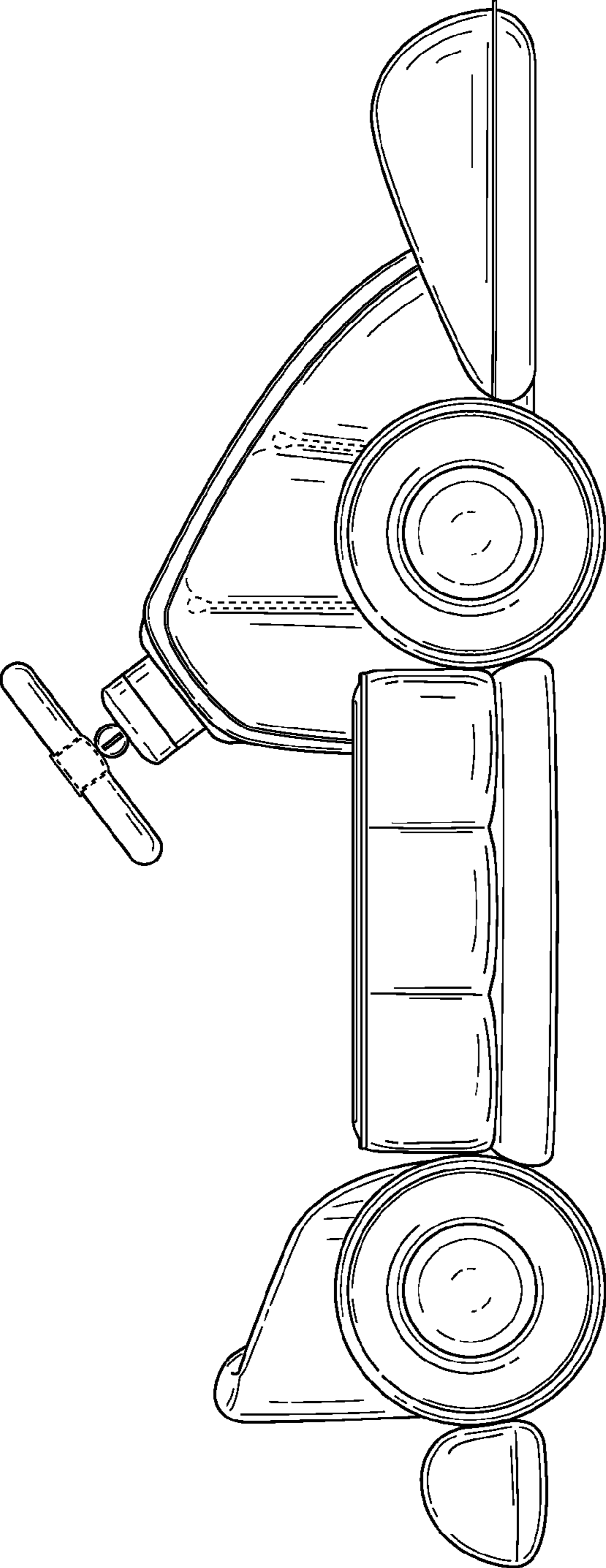


FIG. 4

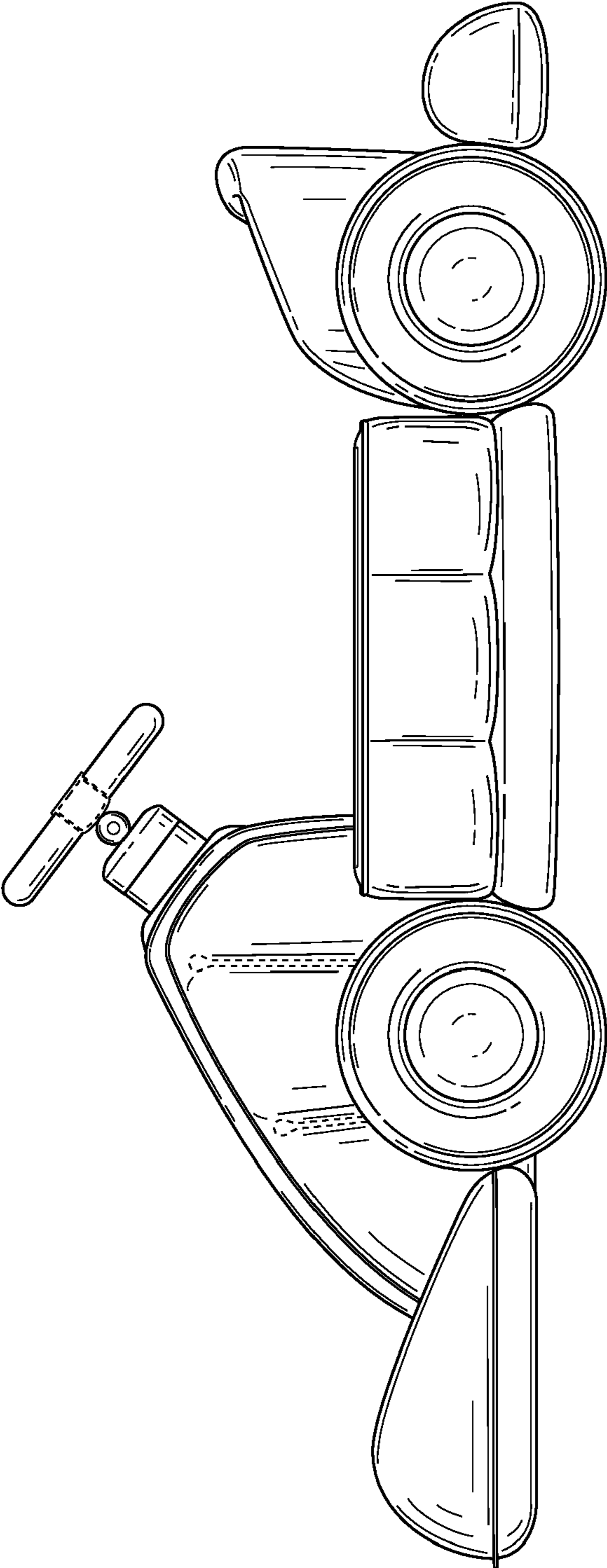


FIG. 5

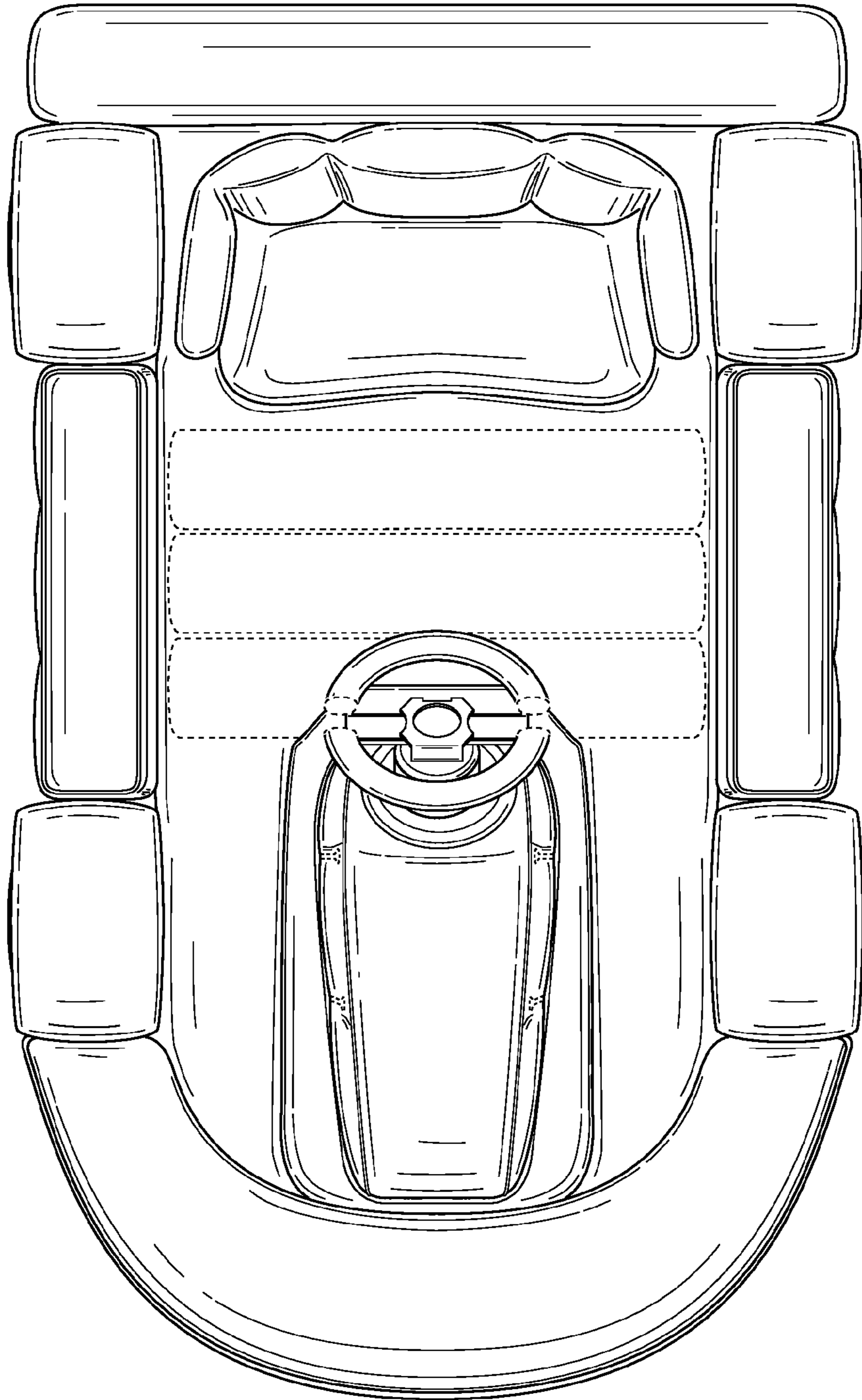


FIG. 6

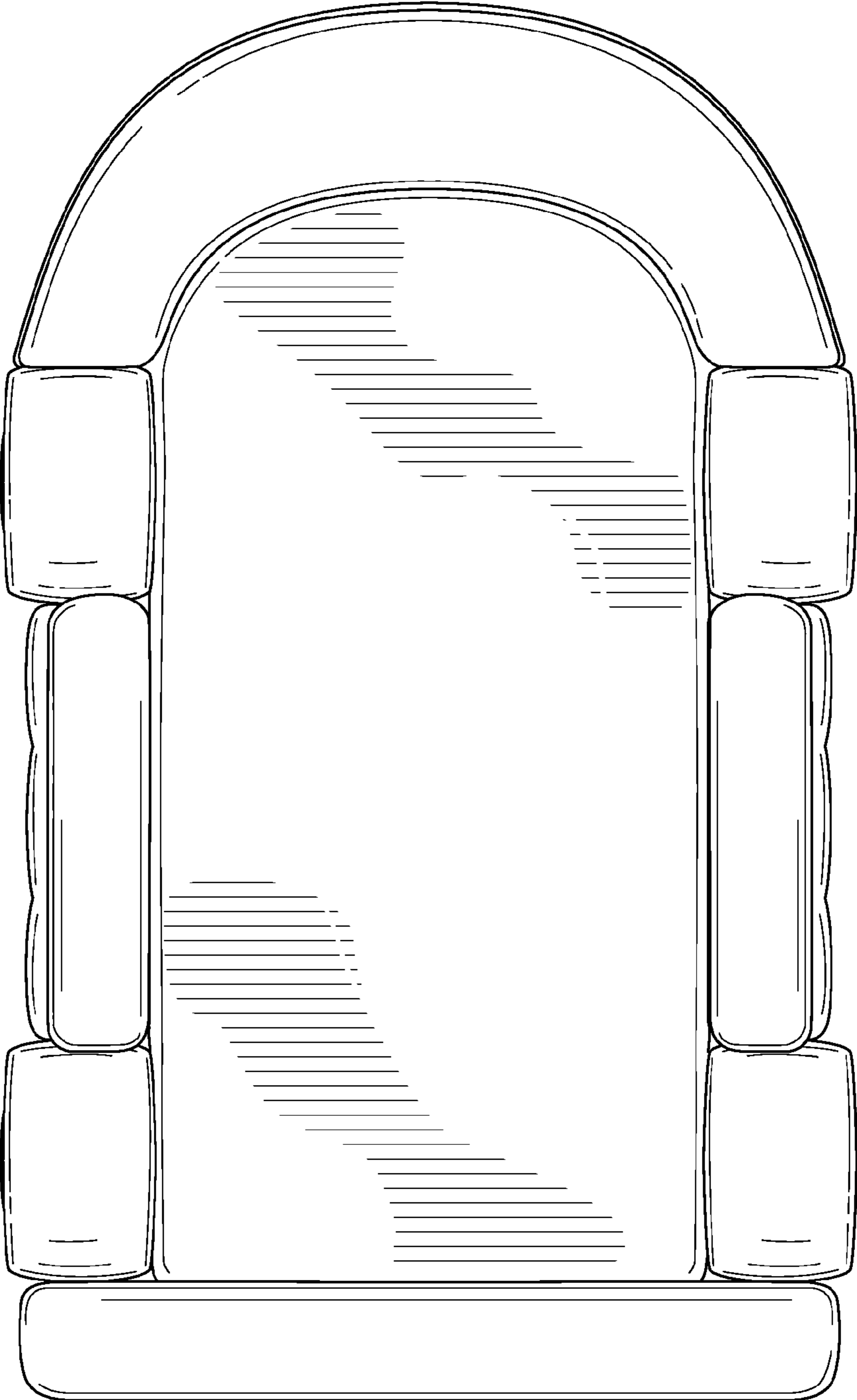


FIG. 7