



US00D637657S

(12) **United States Design Patent**
Zivanovic

(10) **Patent No.:** **US D637,657 S**

(45) **Date of Patent:** **** May 10, 2011**

(54) **STEERING WHEEL LOCK**

(76) Inventor: **Slobodan Zivanovic**, Mississauga, CA
(US)

(**) Term: **14 Years**

(21) Appl. No.: **29/366,198**

(22) Filed: **Jul. 21, 2010**

(51) **LOC (9) Cl.** **21-01**

(52) **U.S. Cl.** **D21/333; D14/414**

(58) **Field of Classification Search** D21/324,
D21/333, 385, 417, 566; D14/400, 412,
D14/414, 416, 432; 273/148 B, 449, 441,
273/442; 434/45, 46; 463/1, 28-38, 46,
463/47; 70/209, 226, 237, 238

See application file for complete search history.

(56) **References Cited**

U.S. PATENT DOCUMENTS

5,199,284	A *	4/1993	Lin	70/209
5,540,067	A *	7/1996	Kim	70/209
D379,754	S *	6/1997	Solow	D8/331
D385,175	S *	10/1997	Somerfield	D8/330
5,887,464	A	3/1999	Perez	
D411,821	S *	7/1999	Markegard et al.	D12/177
D413,250	S	8/1999	Yang	
5,992,190	A	11/1999	Townsend	
D421,891	S	3/2000	Yang	
6,109,076	A *	8/2000	Kajuch	70/209
6,199,415	B1	3/2001	Markegard et al.	
6,422,050	B1 *	7/2002	Ho	70/209
6,430,978	B1	8/2002	Chen	
6,510,718	B1	1/2003	Chang	
D553,622	S *	10/2007	Petrota	D14/414
D558,651	S *	1/2008	Ikeda et al.	D14/401
D566,781	S *	4/2008	Ikeda et al.	D21/333

D568,409	S *	5/2008	Ikeda et al.	D21/333
D586,865	S *	2/2009	Ko et al.	D21/333
D602,096	S *	10/2009	Ashida et al.	D21/333

OTHER PUBLICATIONS

“And the car theft capital of Oregon is . . .” by KVAL Web Staff, published Apr. 22, 2008, <http://www.kval.com/news/consumertips/18021374.html>, KVAL CBS 13, Oct. 21, 2010, Eugene, OR.

Global Sources Home, Steering Wheel Lock Container, Model No. 64666, <http://www.globalsources.com/gsol/1/Steering-wheel/p/bg/1014514861.htm>.

CENS.com, <http://www.cens.com/censv1/en/pic.jsp?img=/cens/supplier/3404/product/37787/BIG.jpg?> . . .

Global Sources Home, Steering Wheel Lock, Model No. SUHT-8009, <http://www.globalsources.com/gsol/1/Steering-wheel/p/sm/1016288145.htm>.

YouTube.com, Viper Steering Wheel Lock, <http://www.youtube.com/watch?v=meztiYrRIUQ>.

Master Lock Europe, <http://www.masterlock.eu/products/detail/Automotive/SteeringWheelLocks>.

Steering Wheel Lock—RL-9092, <http://www.allproducts.com/metal/reallock/Product-200591217246.html>.

CENS.com, <http://www.cens.com/censv1/en/pic.jsp?img=/cens/supplier/129/product/26054/BIG.jpg?> . . .

(Continued)

Primary Examiner — Prabhakar Deshmukh

(74) *Attorney, Agent, or Firm* — Hill & Schumacher

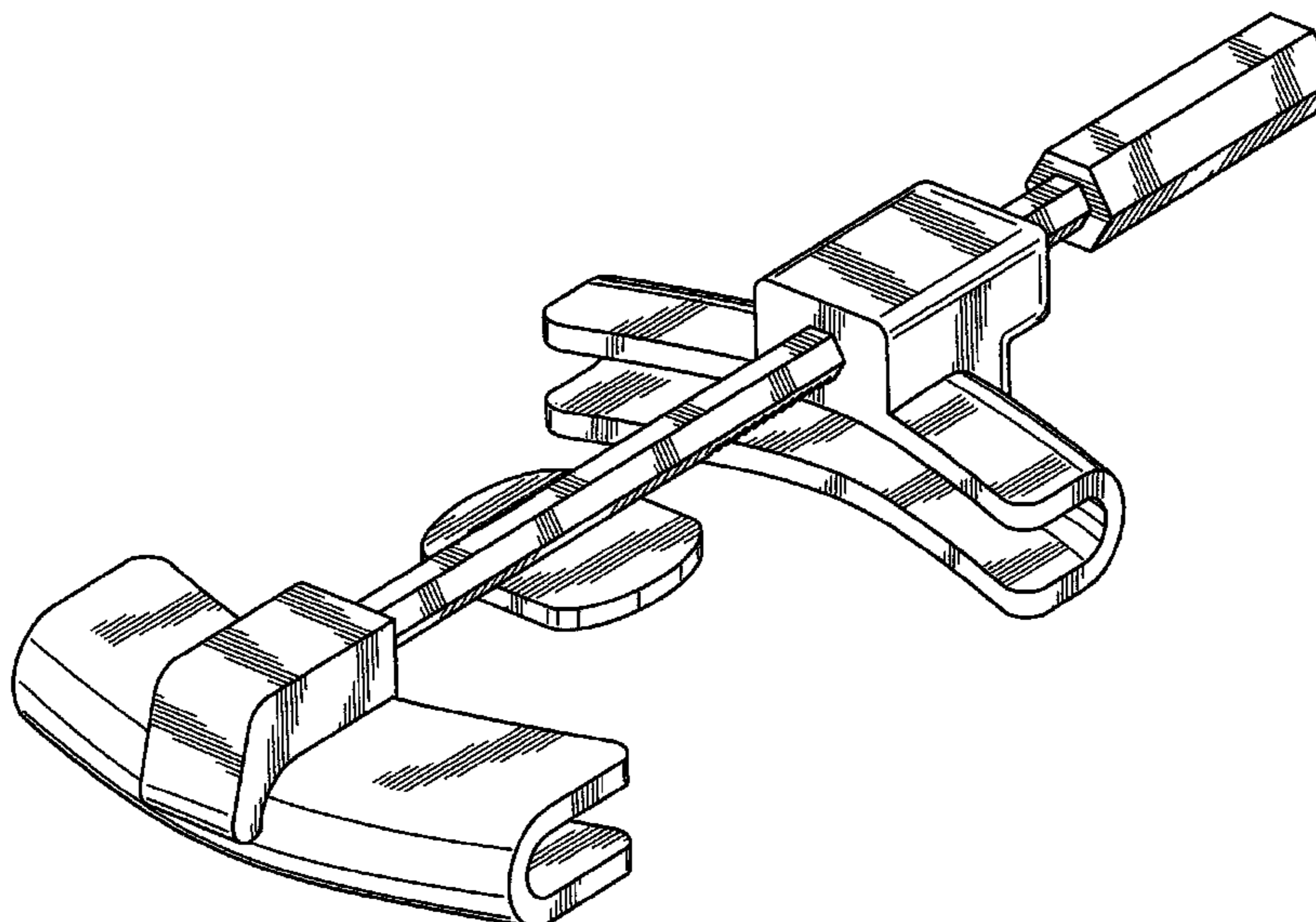
(57) **CLAIM**

The ornamental design for a steering wheel lock, as shown and described.

DESCRIPTION

FIG. 1 is a top isometric view of a steering wheel lock;
 FIG. 2 is a top view thereof;
 FIG. 3 is a front view thereof;
 FIG. 4 is a left side view thereof;
 FIG. 5 is a right side view thereof; and,
 FIG. 6 is a bottom view thereof.

1 Claim, 4 Drawing Sheets



OTHER PUBLICATIONS

Steering Wheel Lock—RL-9091, <http://www.allproducts.com/metal/reallock/Product-20059139548.html>.

The Safe Shop, Bulldog BW500 Steering Wheel Lock, <http://www.thesafeshop.co.uk/products/bw500-steering-wheel-lock.html>.

* cited by examiner

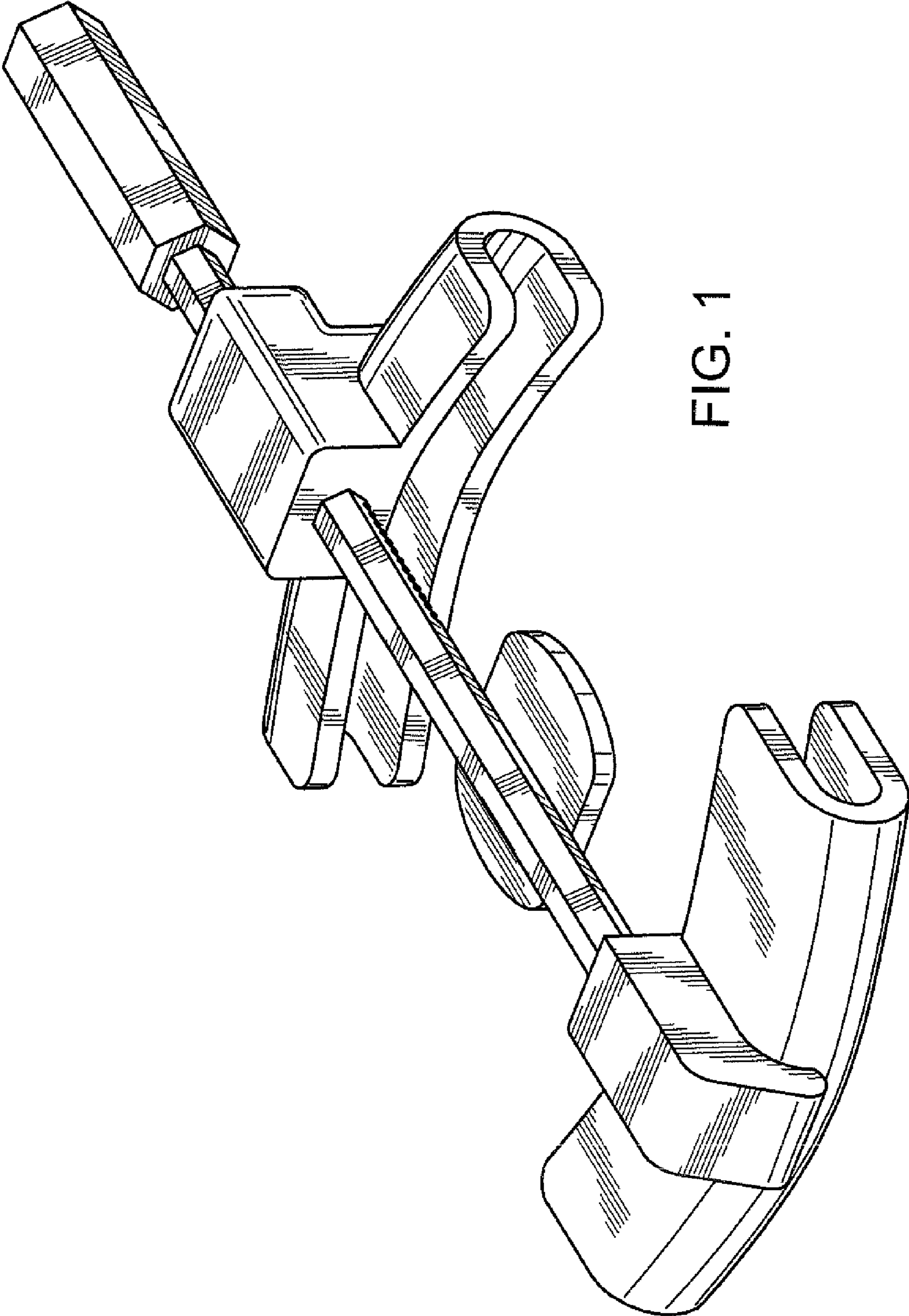


FIG. 1

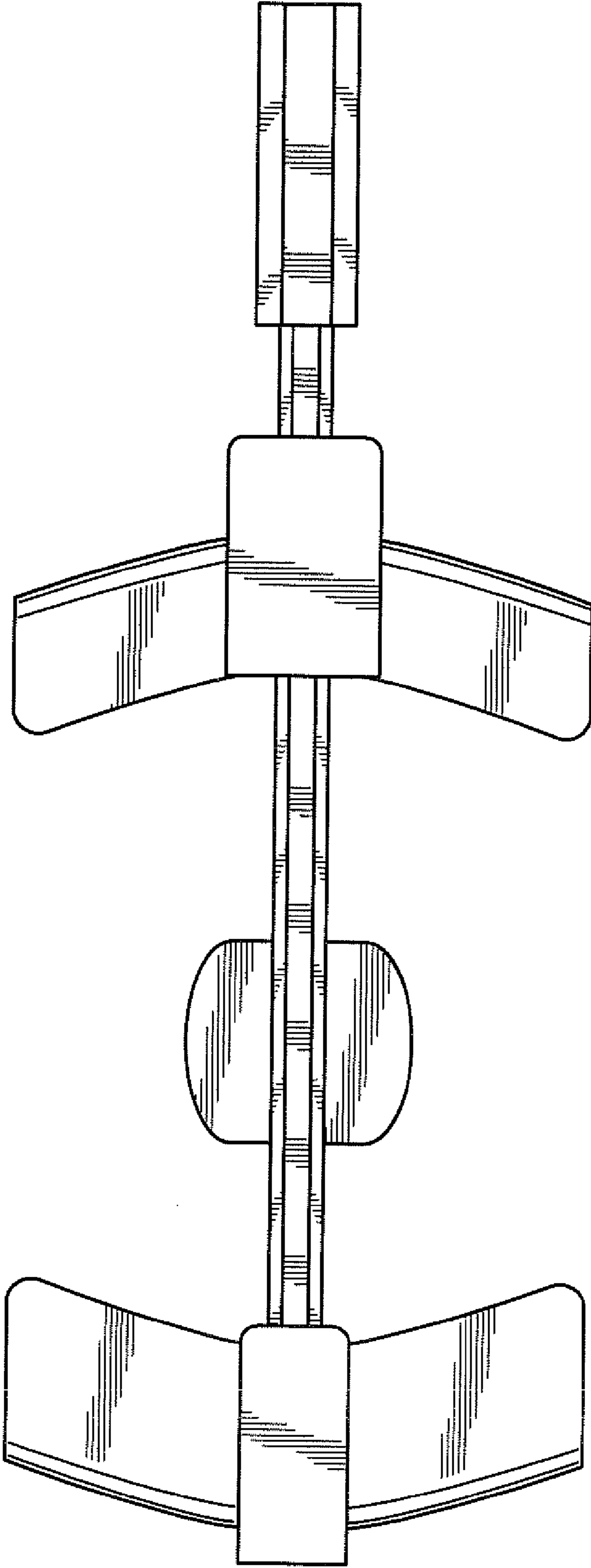


FIG. 2

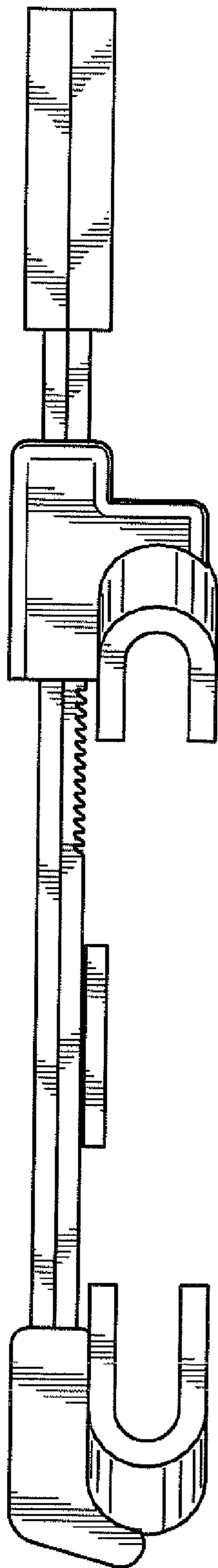


FIG. 3

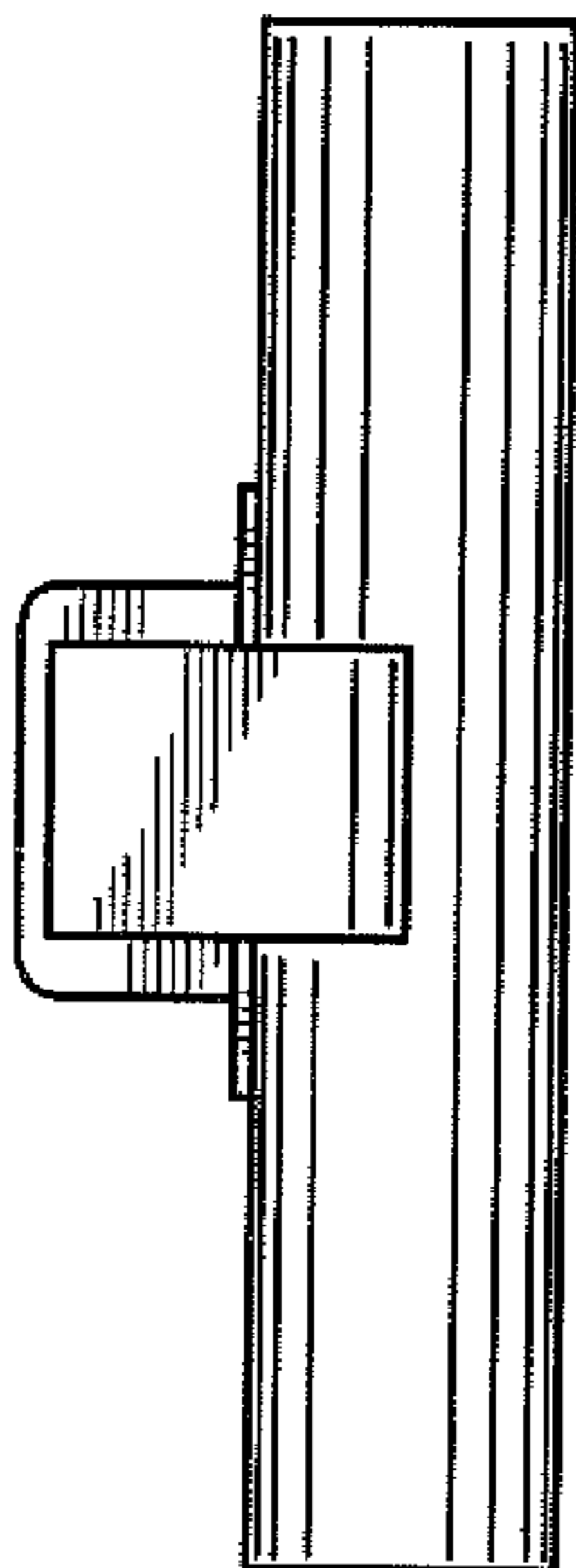


FIG. 4

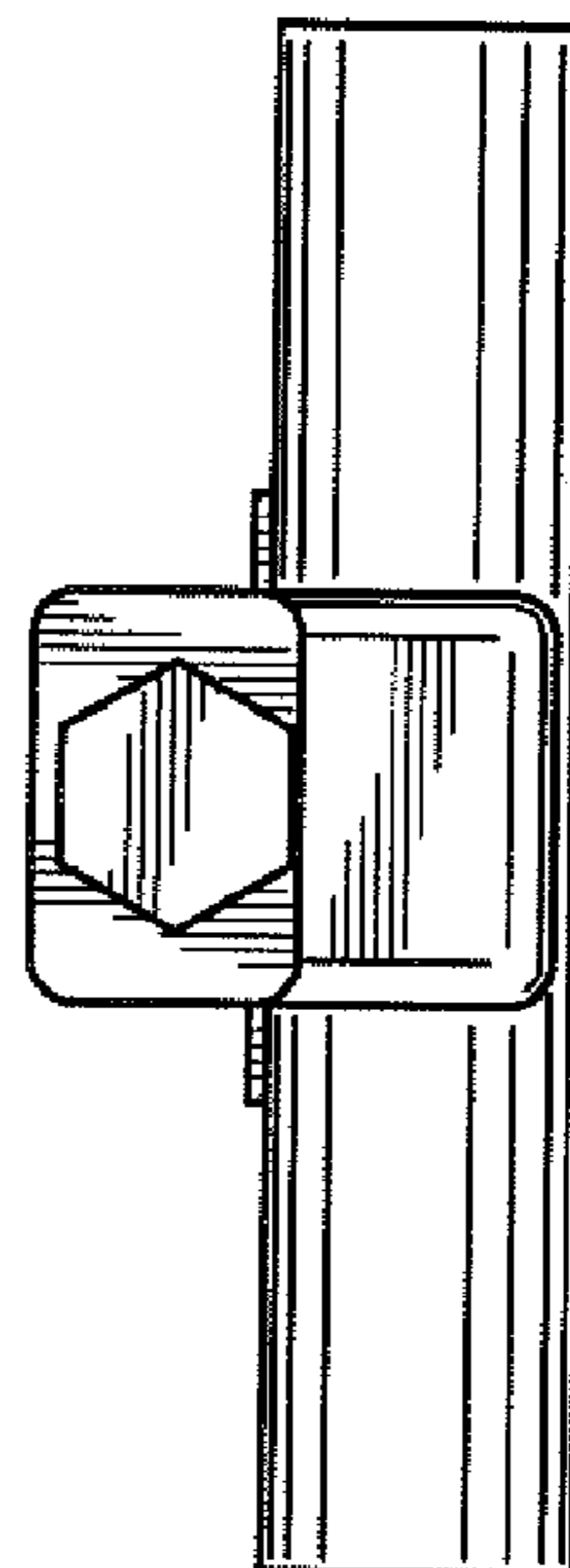


FIG. 5

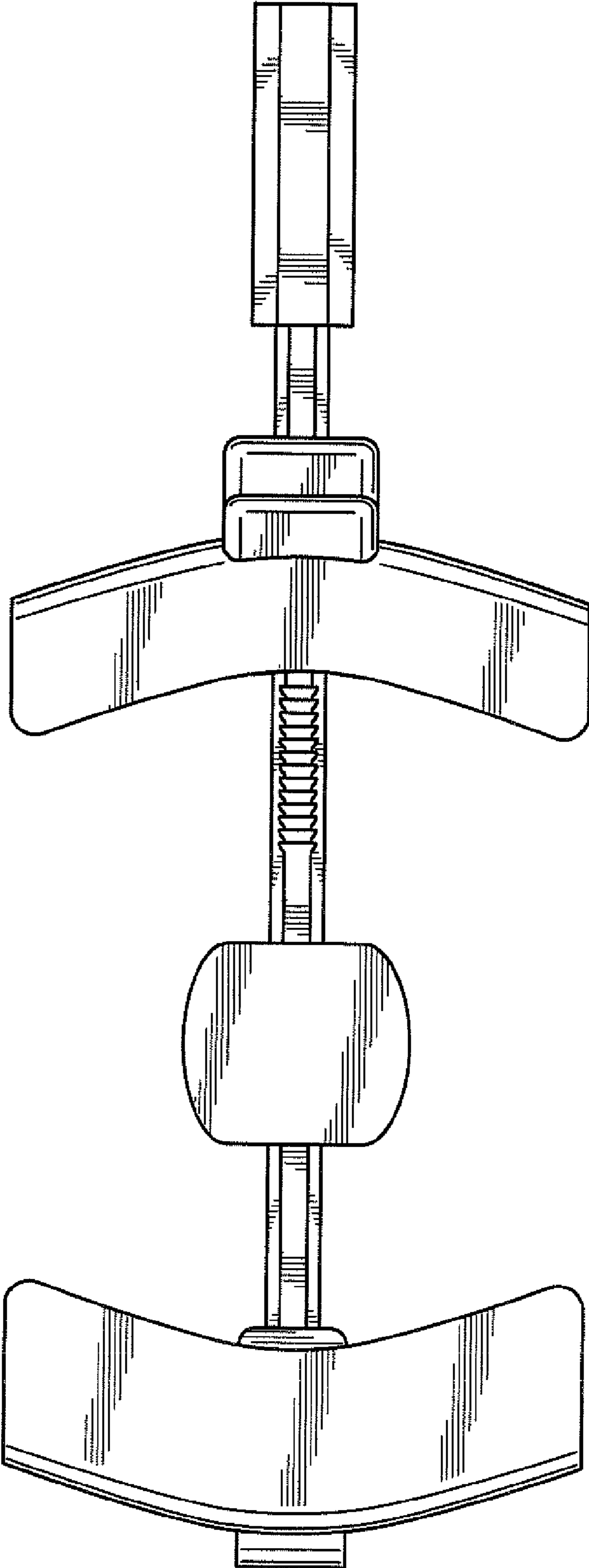


FIG. 6