



US00D637654S

(12) **United States Design Patent**  
**Kokkeby et al.**

(10) **Patent No.:** **US D637,654 S**

(45) **Date of Patent:** **\*\* May 10, 2011**

(54) **RUGGED ENCLOSURE WITH A GAMING SYSTEM**

(76) Inventors: **Erica Kokkeby**, Davie, FL (US);  
**Kristen Kikkeby**, Davie, FL (US);  
**Brian Prange**, Sherwood, OR (US)

(\*\*) Term: **14 Years**

(21) Appl. No.: **29/356,501**

(22) Filed: **Feb. 26, 2010**

(51) **LOC (9) Cl.** ..... **21-01**

(52) **U.S. Cl.** ..... **D21/330; D14/318**

(58) **Field of Classification Search** ..... D21/324–333,  
D21/369, 385; D14/496, 203.1–230.7, 125,  
D14/315–328, 345; 273/148 B; 463/1, 26–35,  
463/46, 47; 206/307, 315.1, 320, 473, 775;  
D3/254, 904, 218; D9/420–424; 345/156–161;  
341/22.23

See application file for complete search history.

(56) **References Cited**

**U.S. PATENT DOCUMENTS**

D333,493	S	*	2/1993	Sato	.....	D21/330
5,251,102	A	*	10/1993	Kimble	.....	361/679.09
5,262,926	A	*	11/1993	Hall	.....	361/679.09
5,430,607	A		7/1995	Smith		
5,988,902	A	*	11/1999	Holehan	.....	400/479.1
D426,574	S	*	6/2000	Chan	.....	D14/318
6,085,204	A	*	7/2000	Chijiwa et al.	.....	715/246

6,307,535	B1	*	10/2001	Kim et al.	.....	345/157
6,323,902	B1	*	11/2001	Ishikawa	.....	348/373
D495,326	S	*	8/2004	Horiki	.....	D14/318
D514,628	S	*	2/2006	Luke et al.	.....	D21/329
D541,270	S		4/2007	Sassano et al.		
D541,326	S	*	4/2007	Ford et al.	.....	D16/203
D552,184	S	*	10/2007	Hussaini et al.	.....	D21/333
D555,667	S	*	11/2007	Hussaini et al.	.....	D14/496

\* cited by examiner

*Primary Examiner* — Prabhakar Deshmukh

(74) *Attorney, Agent, or Firm* — Kirk A. Buhler; Buhler & Associates

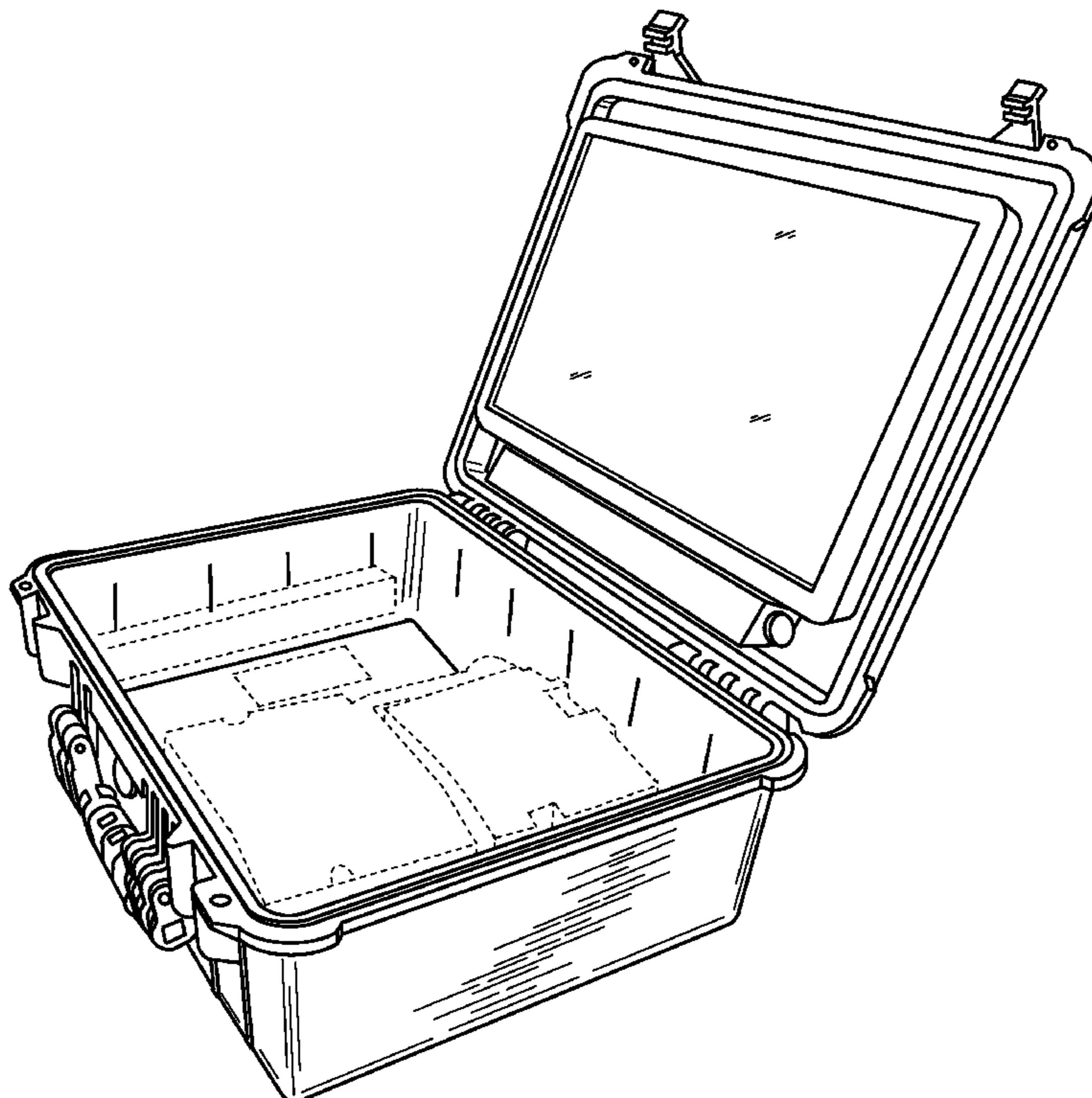
(57) **CLAIM**

The ornamental design for a rugged enclosure with a gaming system, as shown and described.

**DESCRIPTION**

FIG. 1 is a right side perspective view for rugged enclosure with a gaming system showing our new design; FIG. 2 is a front perspective view thereof; FIG. 3 is a top view with the lid closed thereof; FIG. 4 is a right view with the lid closed thereof, the left view being a mirror image thereof; FIG. 5 is a back view with the lid closed thereof; FIG. 6 is a right view with the lid open thereof FIG. 7 is a front view with the lid closed thereof; FIG. 8 is a left view with the lid open thereof; and, FIG. 9 is a front view with the lid open thereof. The broken lines in FIGS. 1 and 2, depict environmental subject matter only and form no part of the claimed design.

**1 Claim, 6 Drawing Sheets**



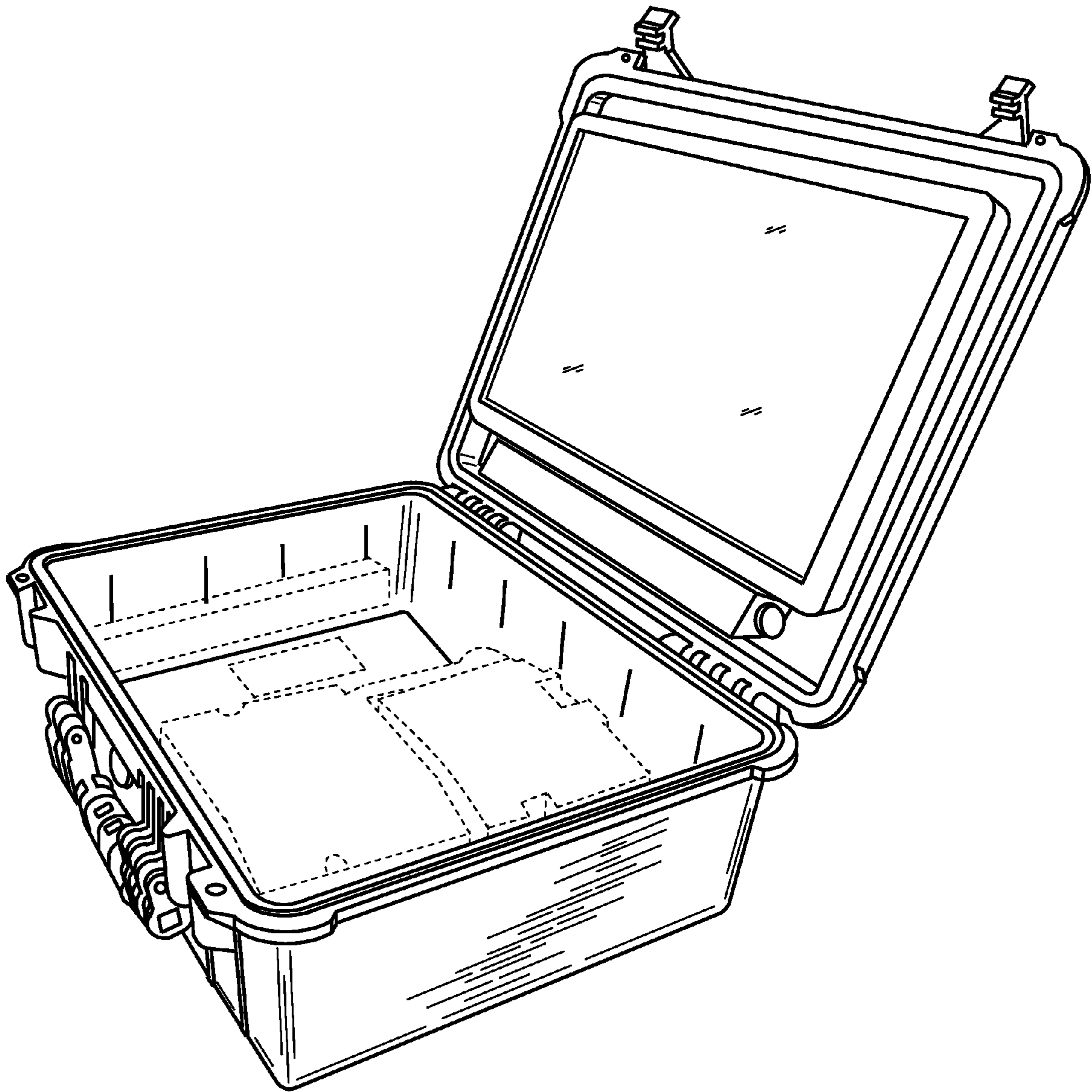


FIG. 1

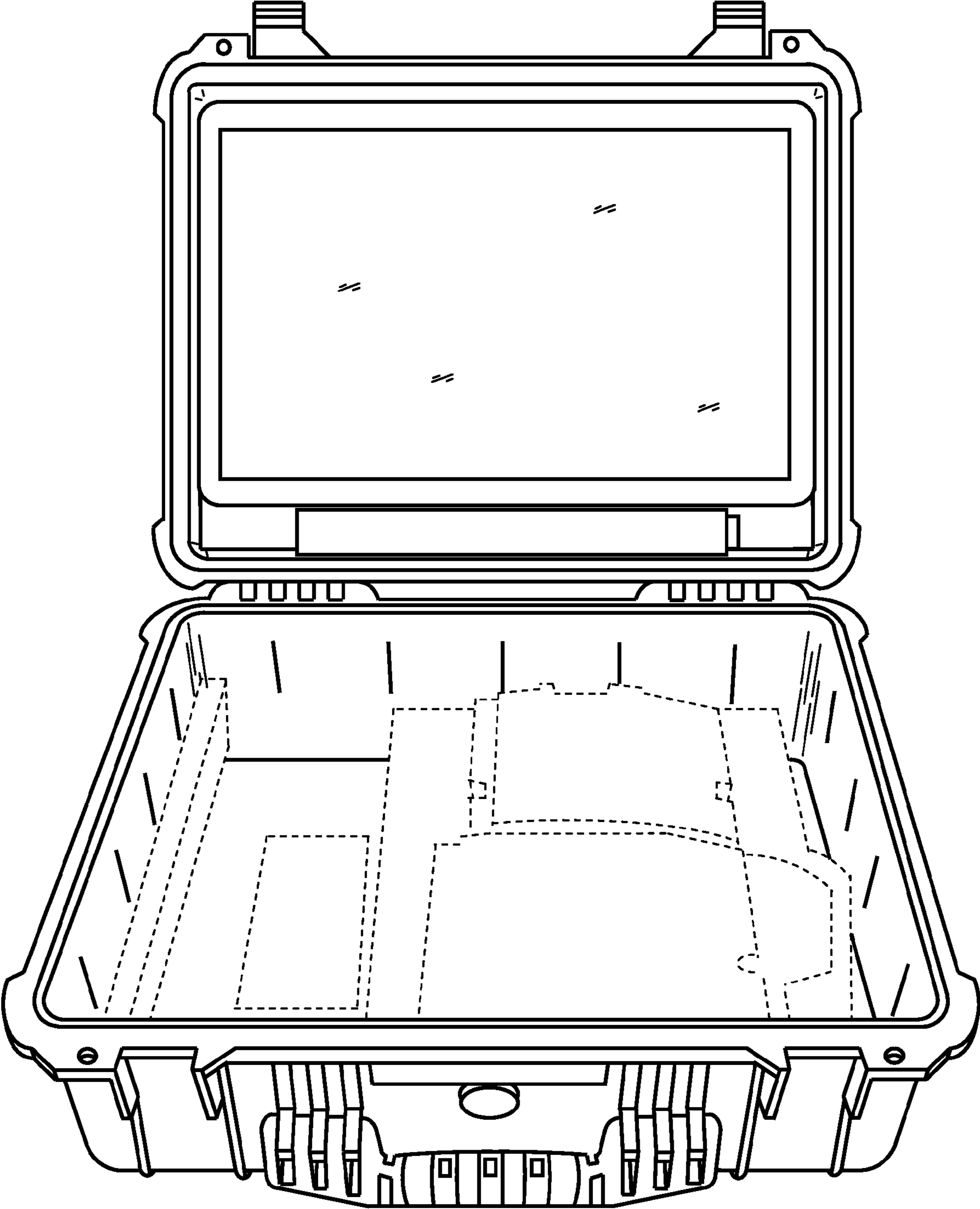


FIG. 2

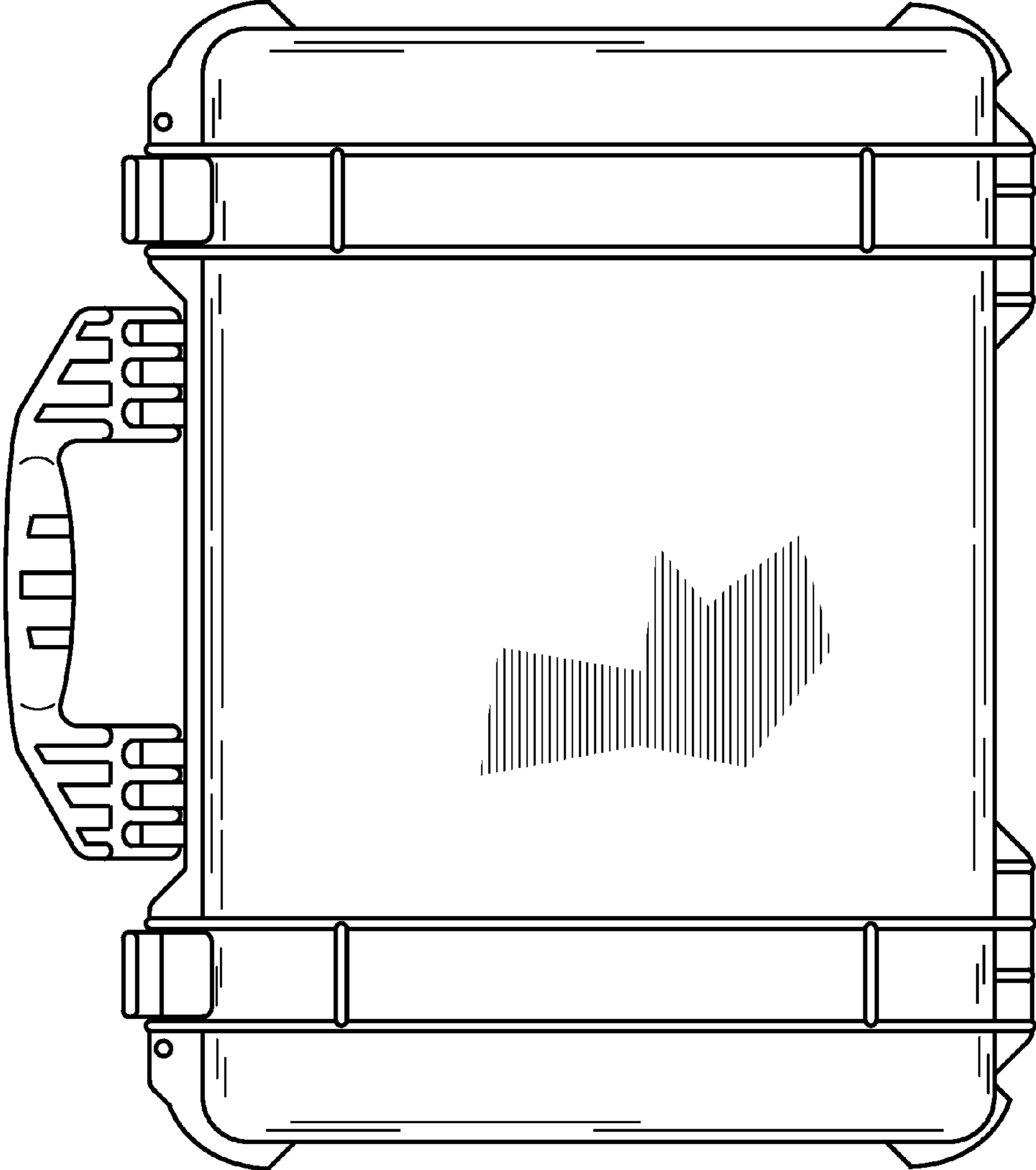


FIG. 3

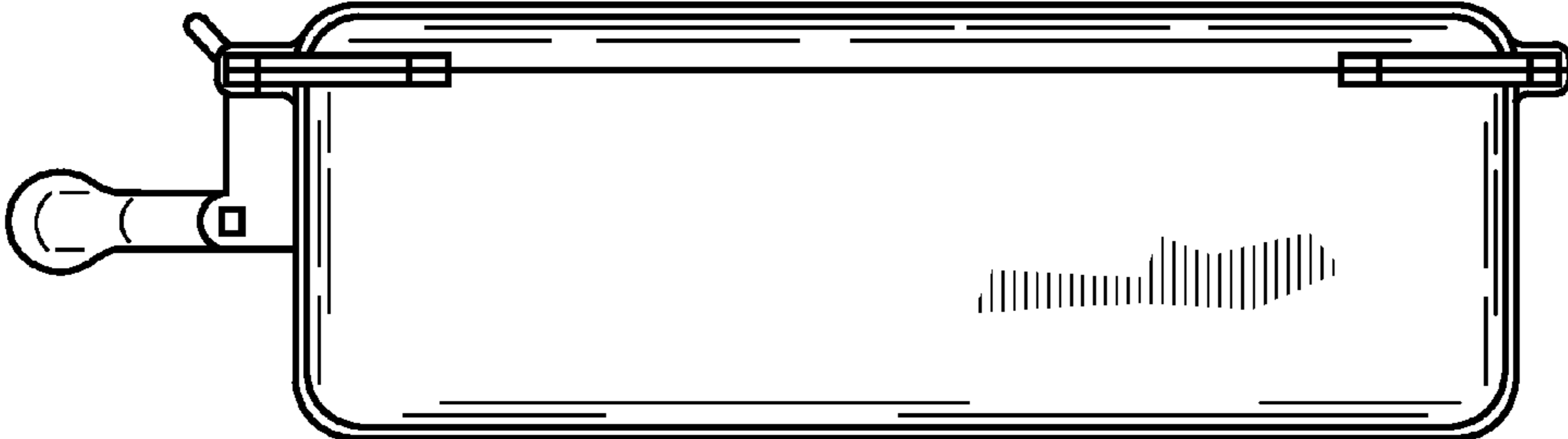
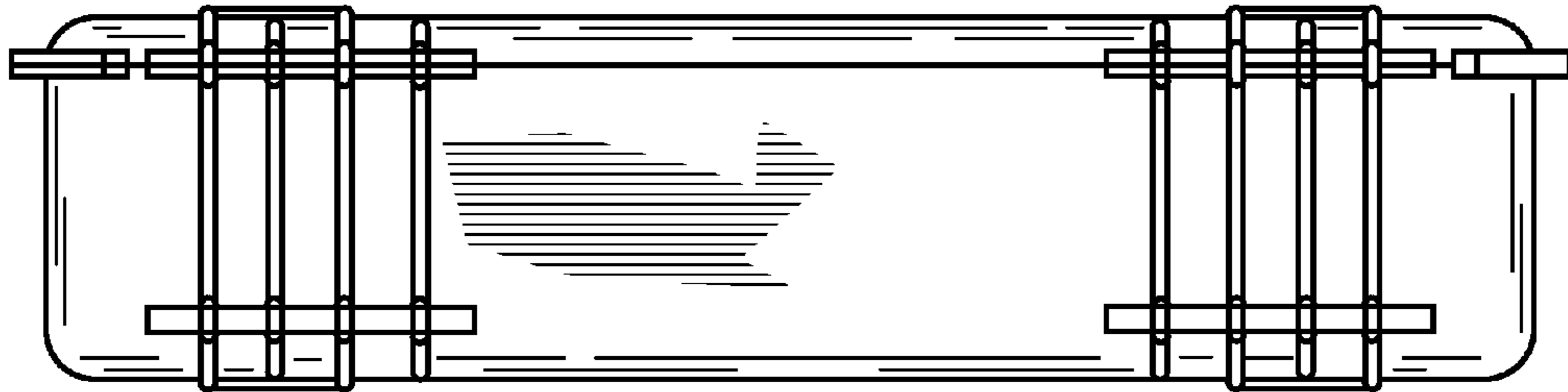
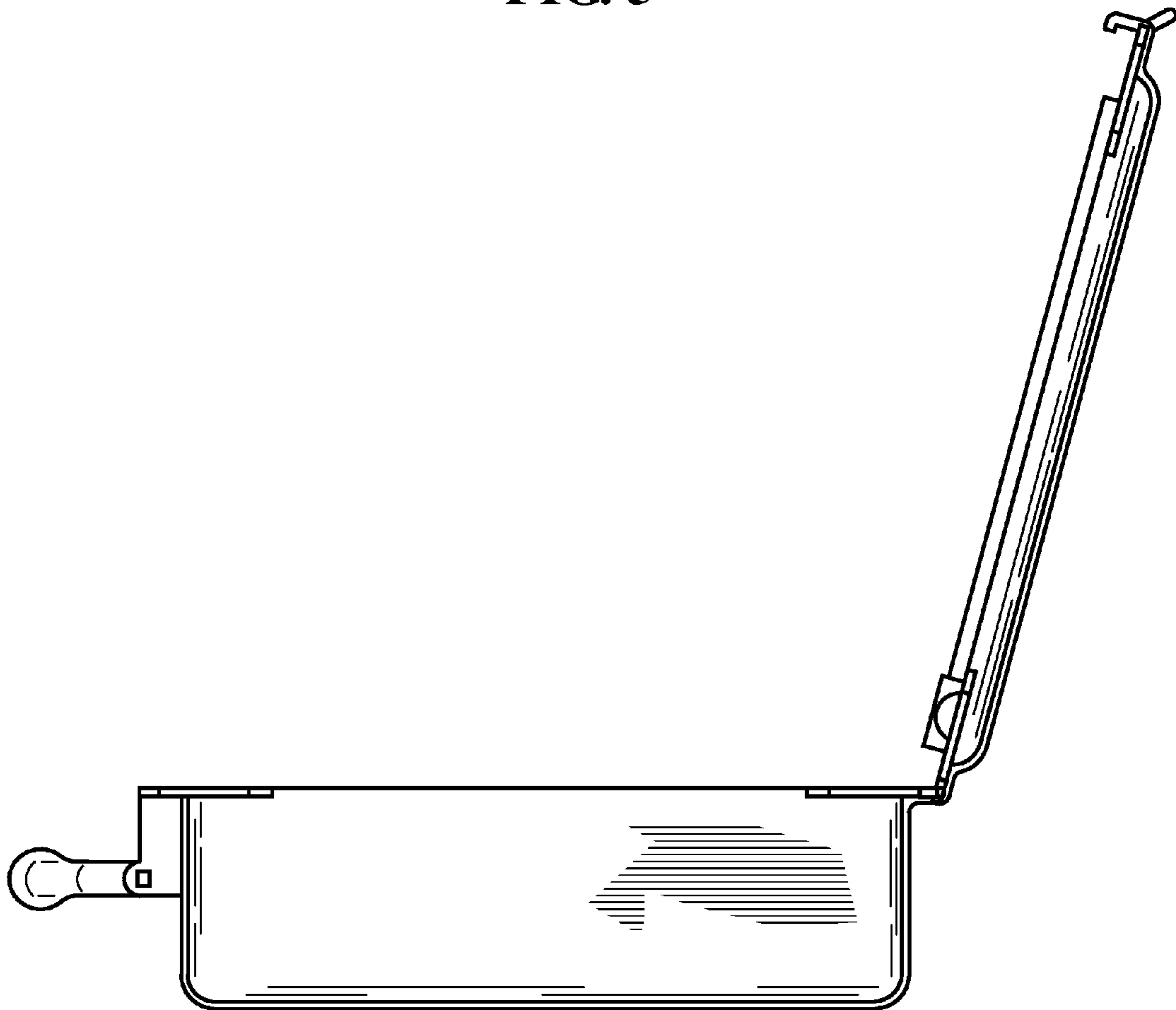


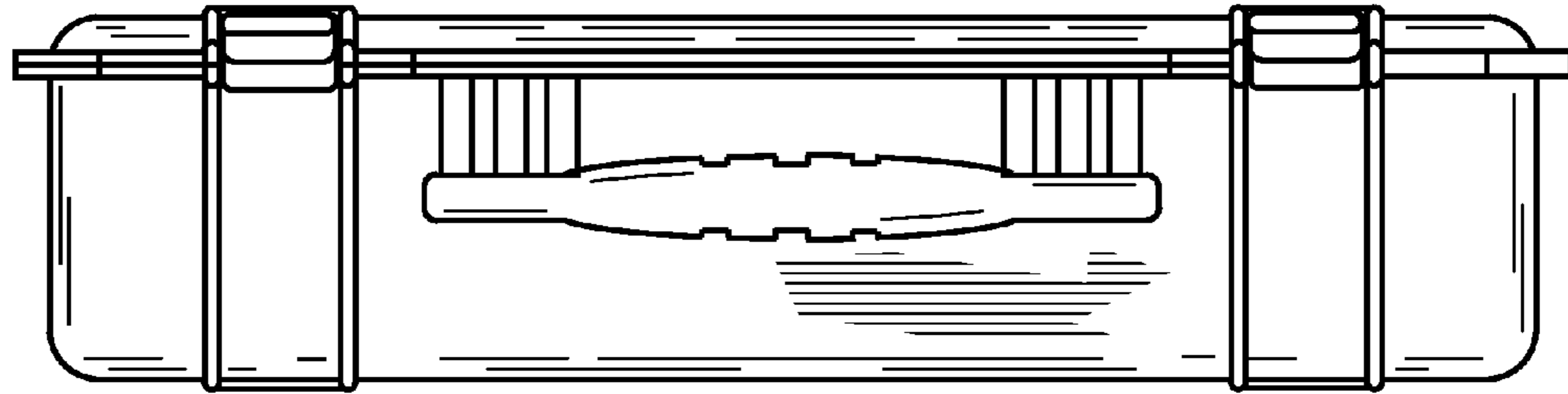
FIG. 4



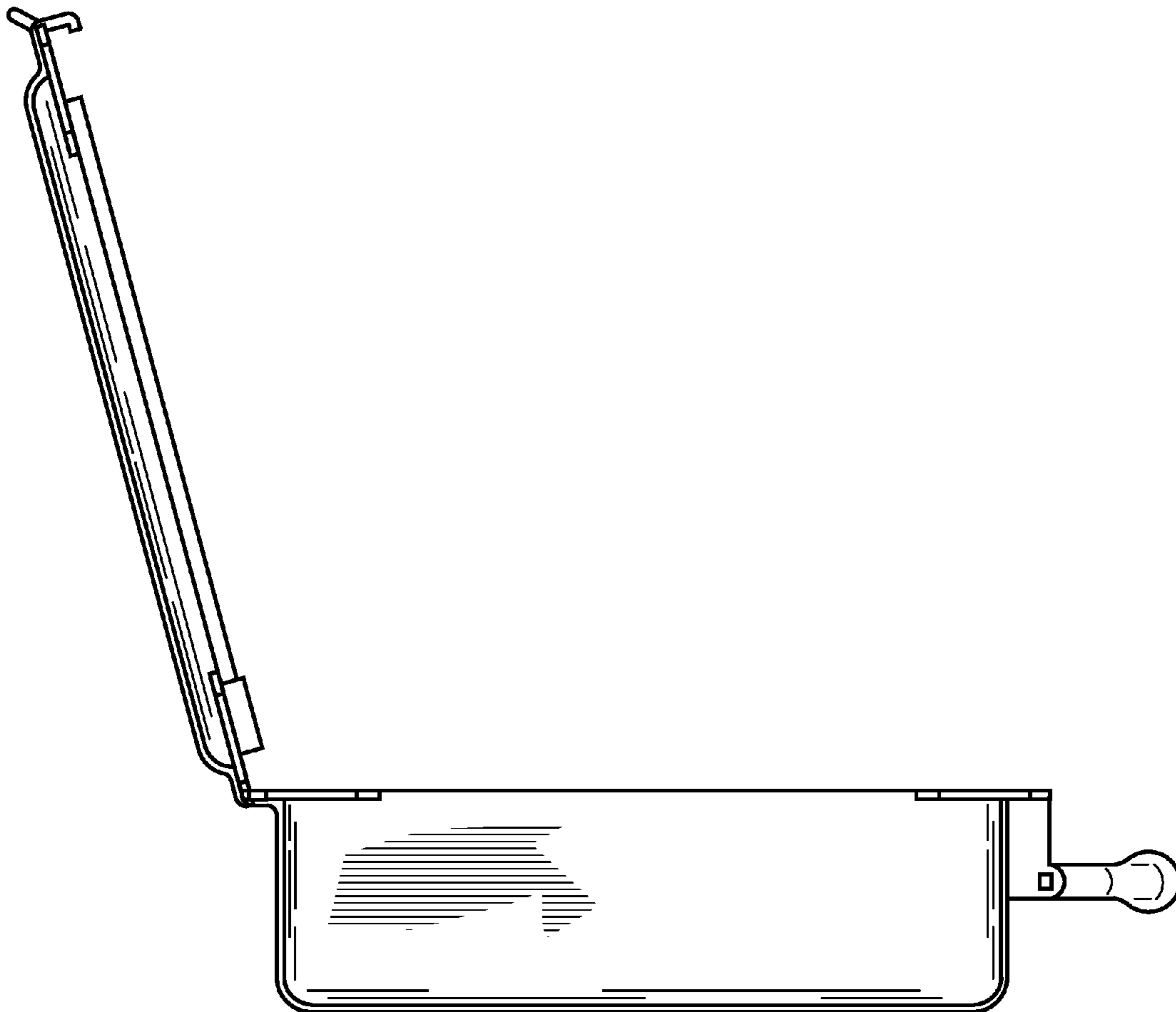
**FIG. 5**



**FIG. 6**



**FIG. 7**



**FIG. 8**

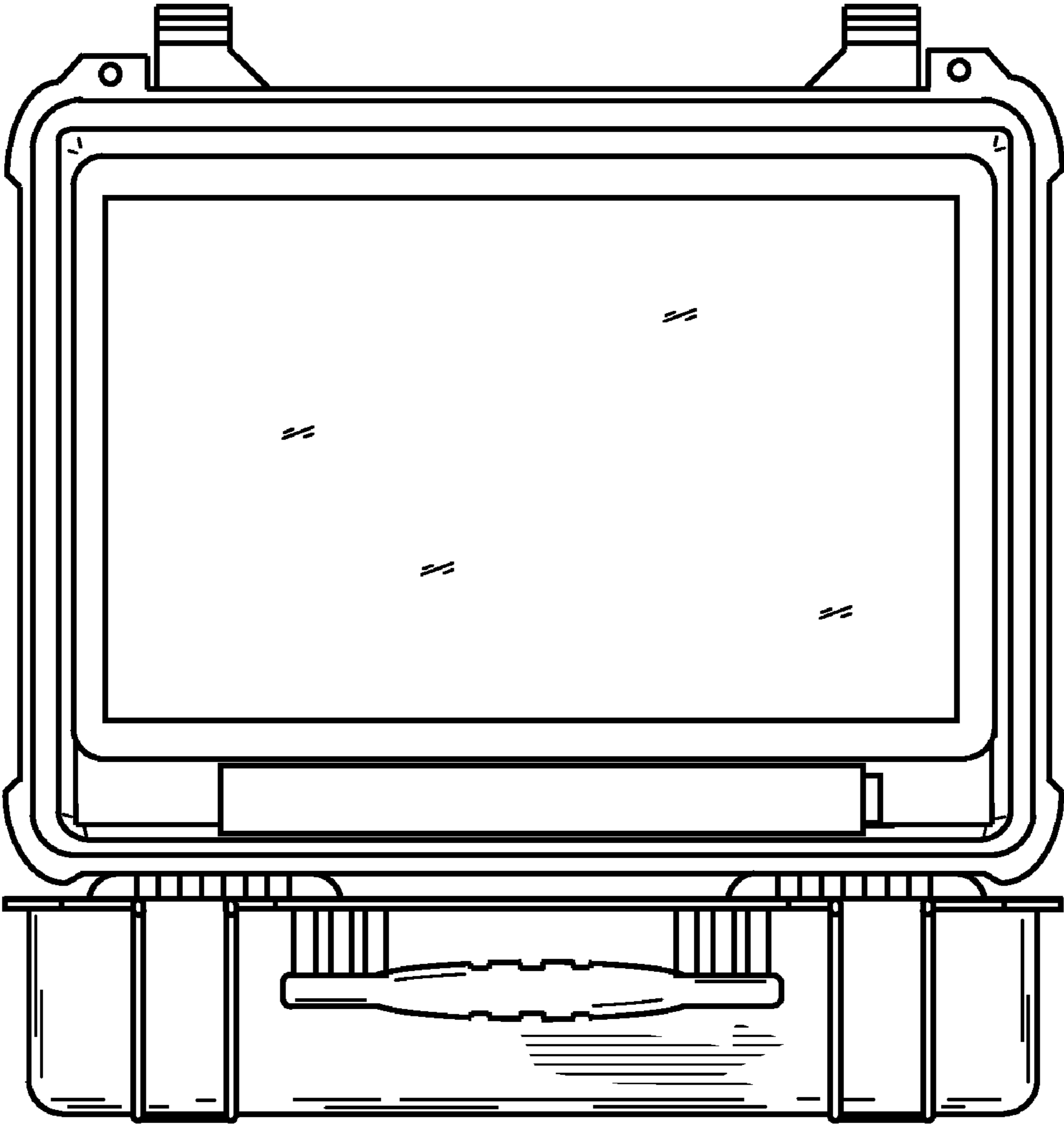


FIG. 9