



US00D637652S

(12) **United States Design Patent**
Tahara et al.

(10) **Patent No.:** **US D637,652 S**

(45) **Date of Patent:** **** May 10, 2011**

(54) **GAME MACHINE**

(75) Inventors: **Yukie Tahara**, Tokyo (JP); **Koichi Tomita**, Tokyo (JP)

(73) Assignee: **Konami Digital Entertainment Co., Ltd.**, Tokyo (JP)

(**) Term: **14 Years**

(21) Appl. No.: **29/349,717**

(22) Filed: **Apr. 26, 2010**

(51) **LOC (9) Cl.** **21-01**

(52) **U.S. Cl.** **D21/325; D21/369**

(58) **Field of Classification Search** D21/325,
D21/329, 333, 369-371, 385; 273/148 B,
273/138.1; 463/1, 16-21, 25, 42, 46, 47

See application file for complete search history.

(56) **References Cited**

U.S. PATENT DOCUMENTS

D351,869 S *	10/1994	Rothschild et al.	D21/326
5,456,468 A *	10/1995	Stringfellow et al.	463/46
D388,469 S *	12/1997	Dickenson et al.	D21/325
5,813,914 A *	9/1998	McKay et al.	463/46
5,851,147 A *	12/1998	Stupak et al.	463/13
6,201,532 B1 *	3/2001	Tode et al.	345/156
D460,120 S *	7/2002	Lynch	D21/325
D460,915 S	7/2002	Lynch		
D461,968 S *	8/2002	Adams et al.	D6/368
D473,269 S	4/2003	Tsuda		

D508,269 S *	8/2005	Wichinsky	D21/369
D548,287 S *	8/2007	Yamanaka et al.	D21/325
D549,785 S	8/2007	Luciano, Jr. et al.		
D605,232 S *	12/2009	Nagamatsu	D21/325
D608,396 S *	1/2010	Wang	D21/325

FOREIGN PATENT DOCUMENTS

JP	D1264513	3/2006
JP	D1294537	2/2007
JP	D1316888	12/2007
JP	D1348685	1/2009

* cited by examiner

Primary Examiner — Prabhakar Deshmukh

(74) *Attorney, Agent, or Firm* — Jordan and Hamburg LLP

(57) **CLAIM**

The ornamental design for a game machine, as shown and described.

DESCRIPTION

FIG. 1 is a first perspective view of a game machine;

FIG. 2 is a second perspective view thereof;

FIG. 3 is a front view thereof;

FIG. 4 is a rear view thereof;

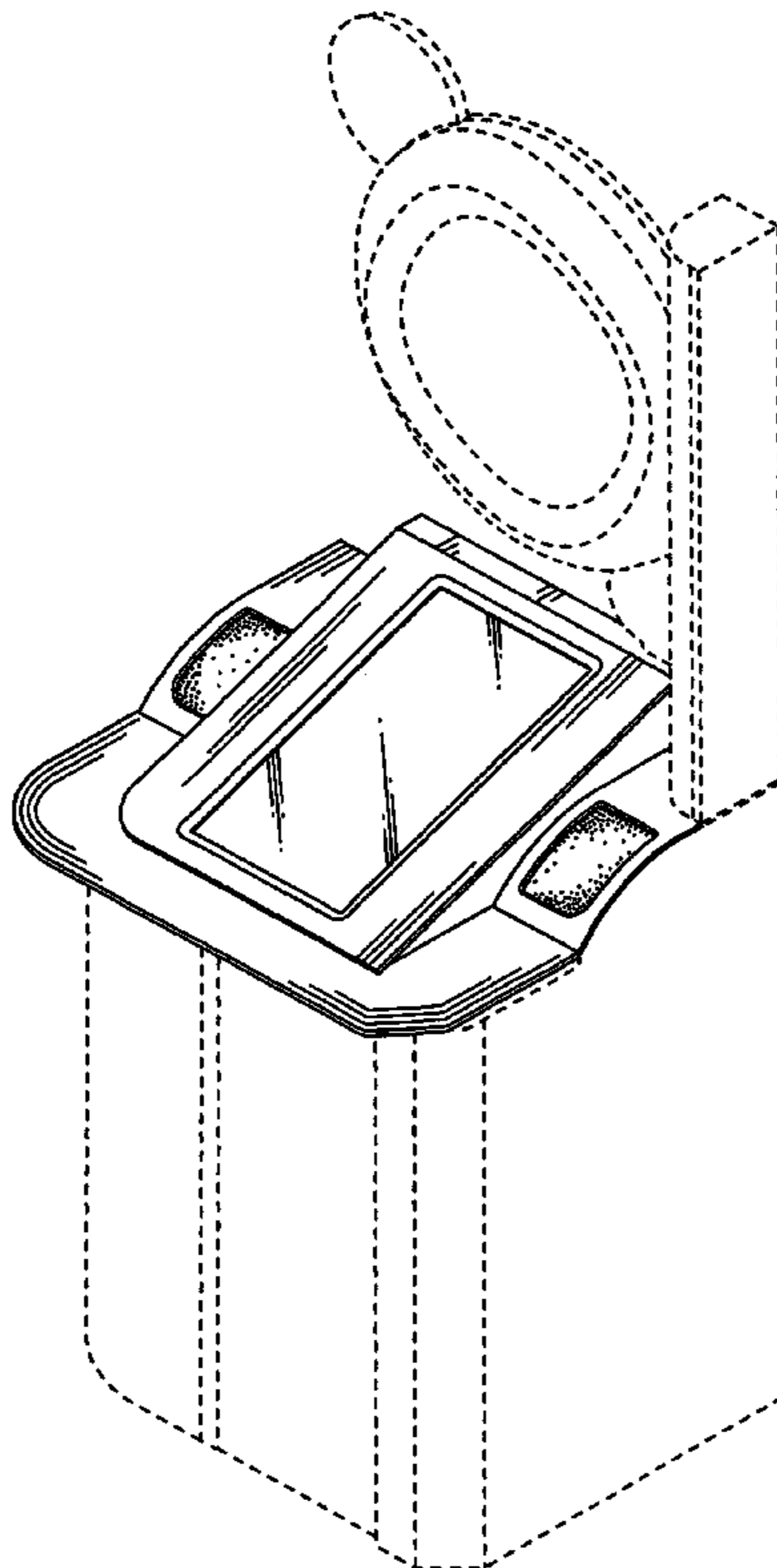
FIG. 5 is a left side view thereof;

FIG. 6 is a right side view thereof; and,

FIG. 7 is a top view thereof.

The portion shown by broken lines is for illustrative purposes only and forms no part of the claimed design.

1 Claim, 7 Drawing Sheets



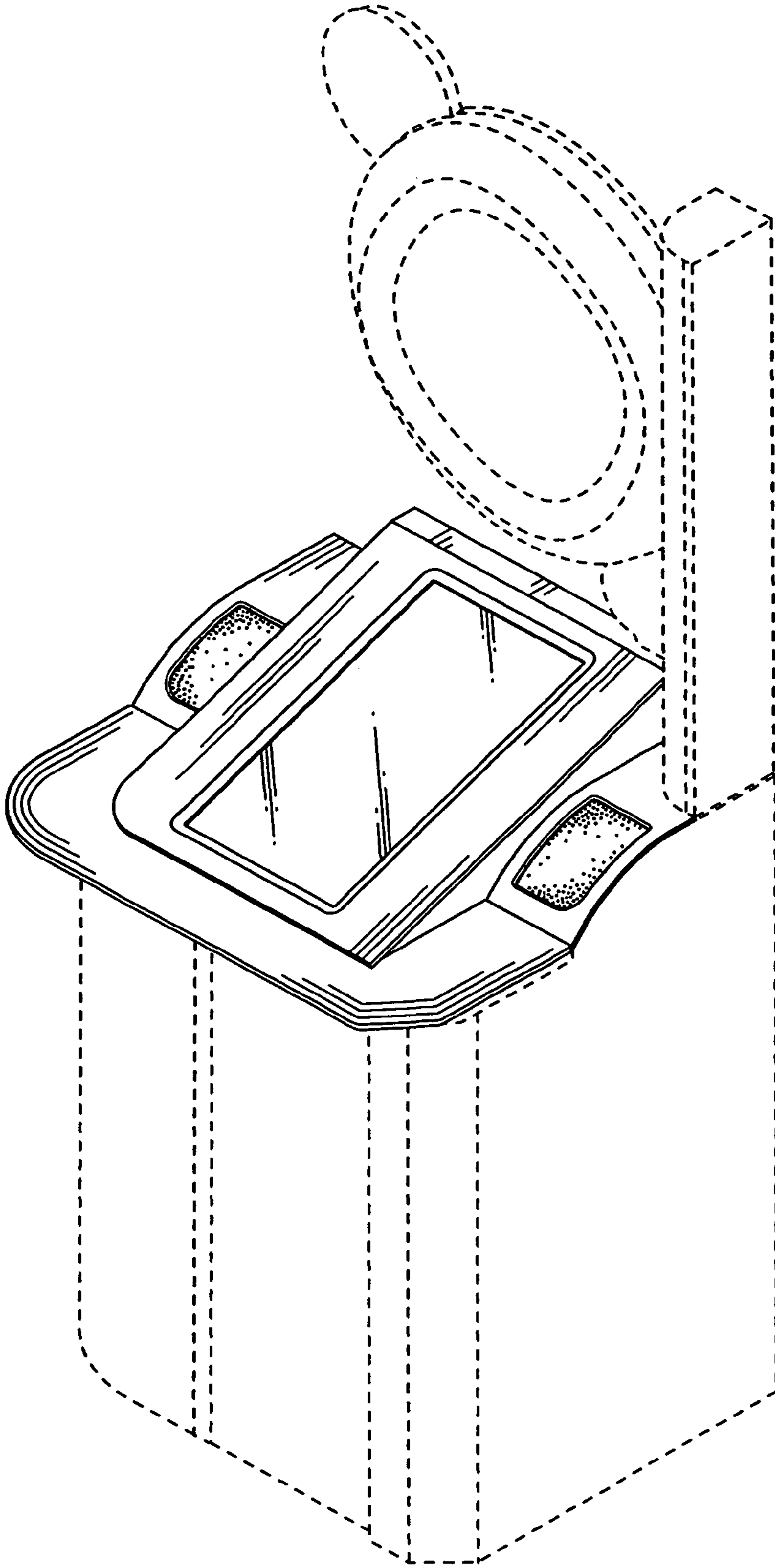


FIG. 1

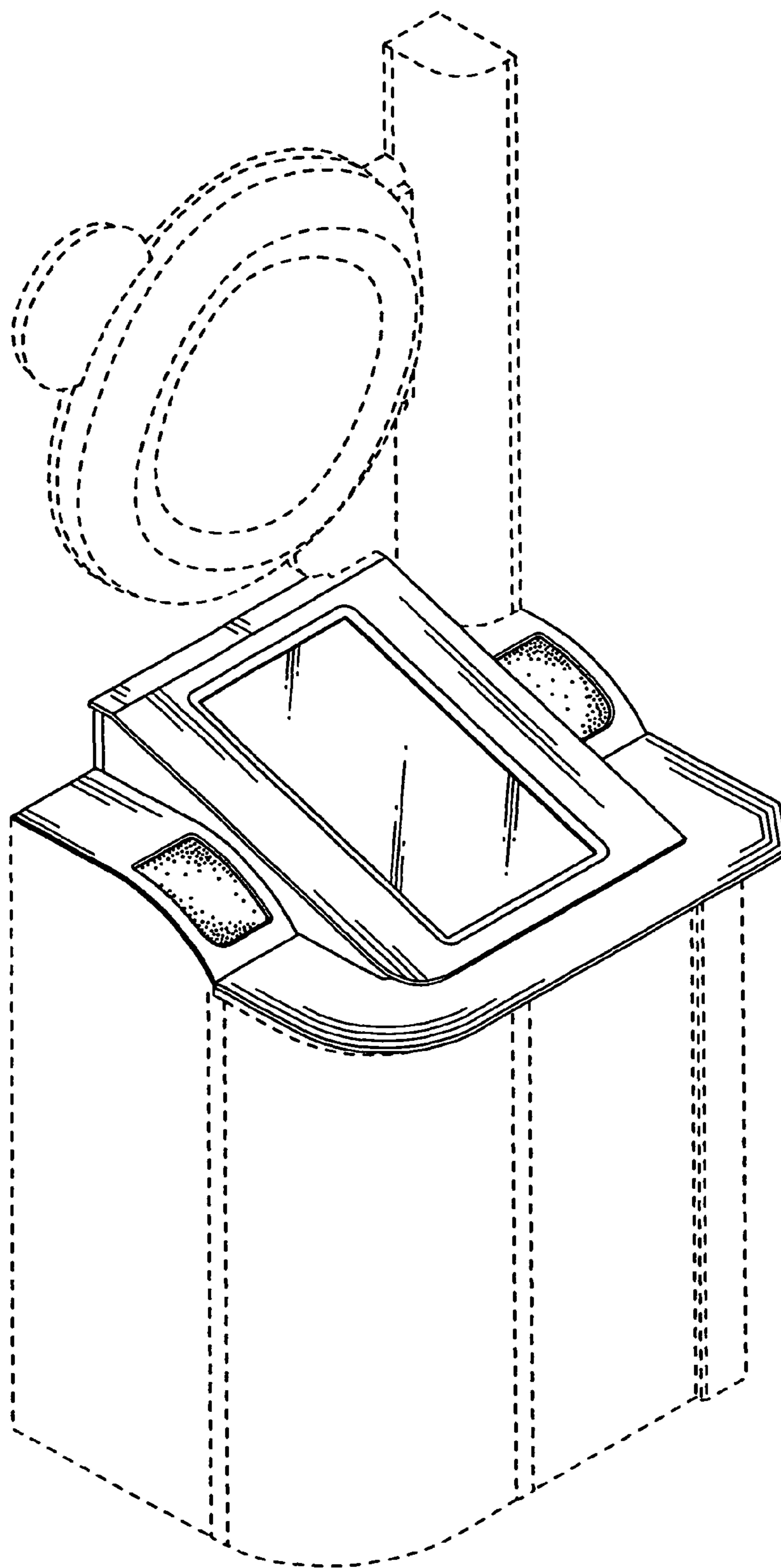


FIG.2

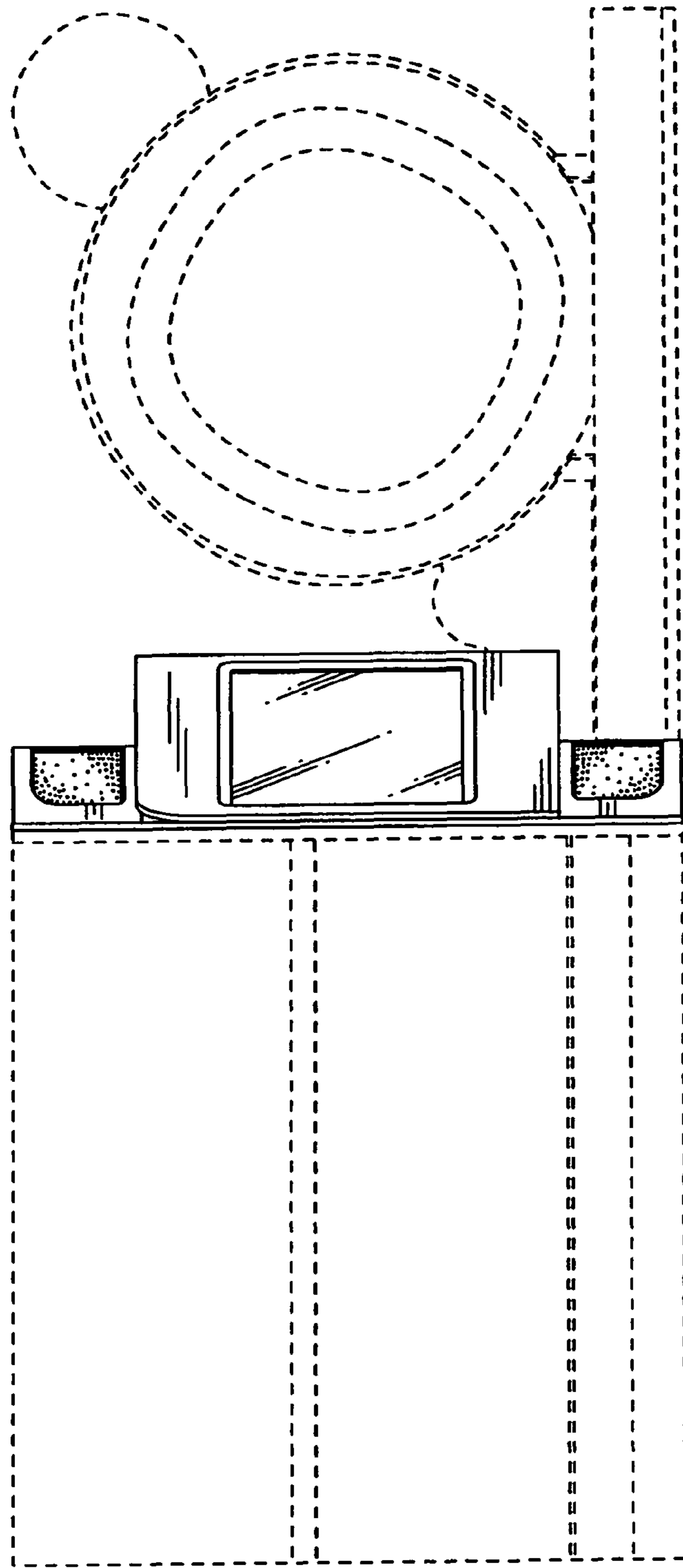


FIG.3

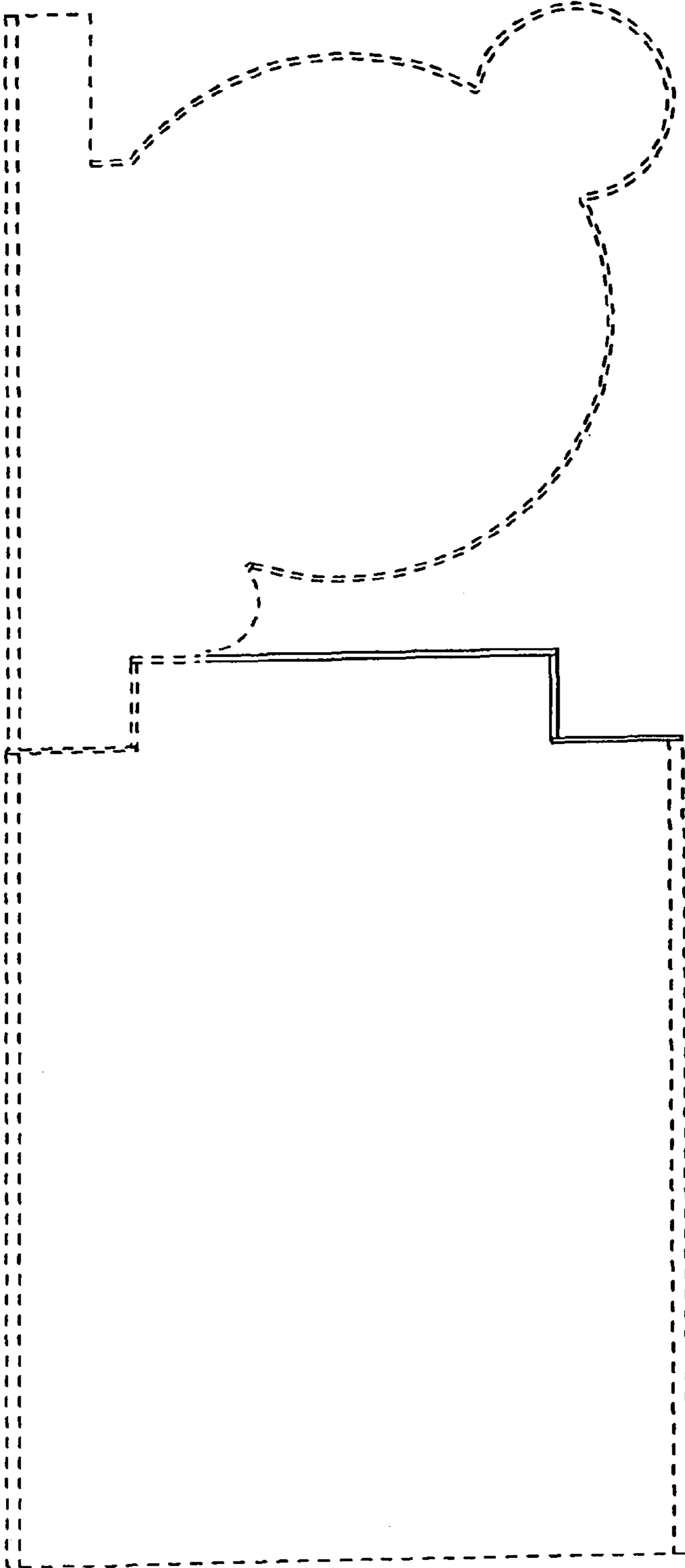


FIG.4

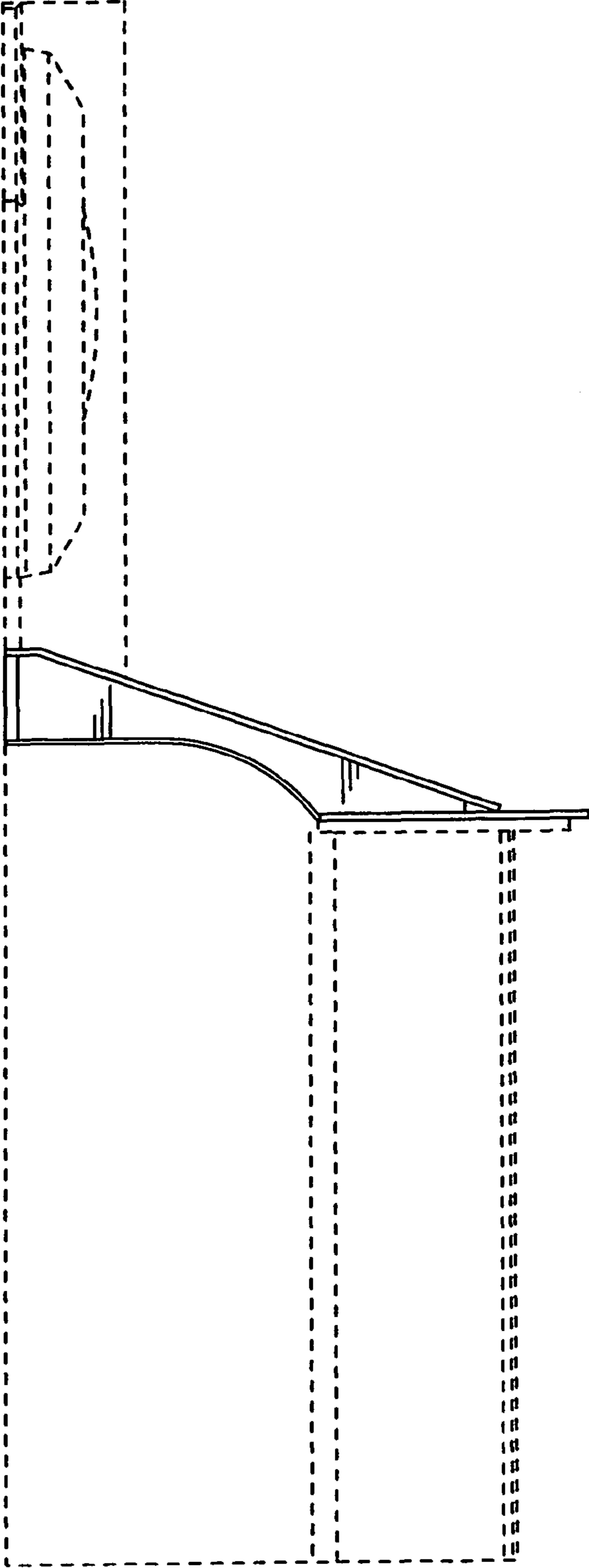


FIG.5

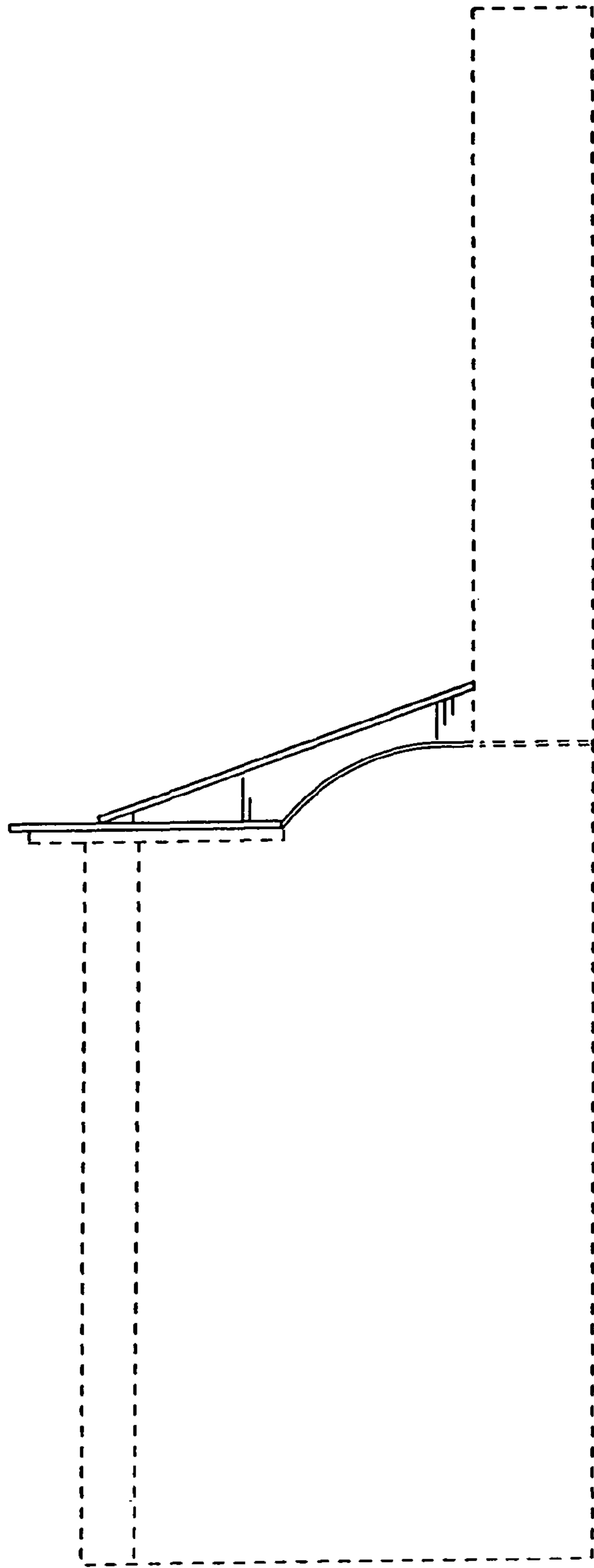


FIG.6

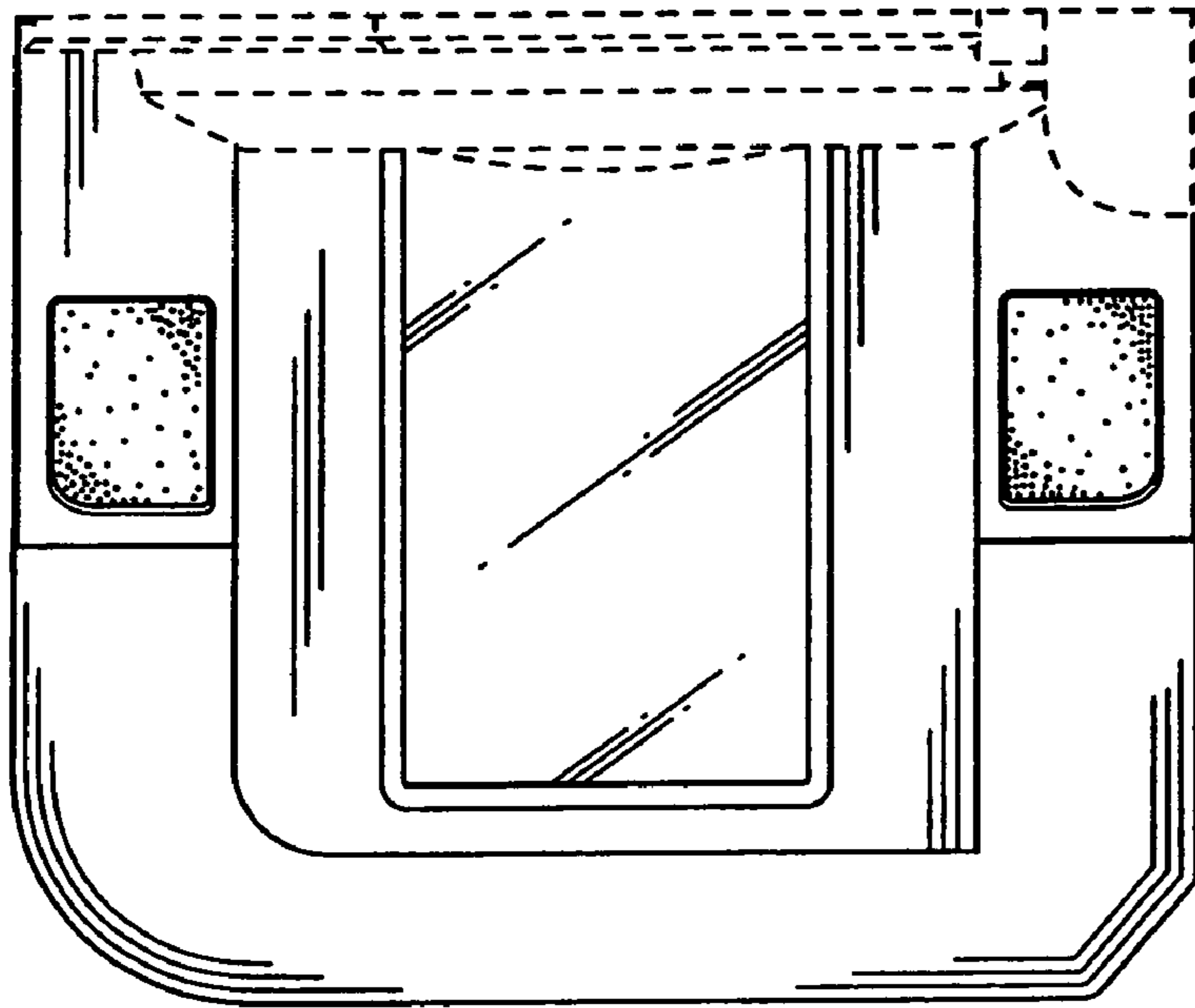


FIG.7