



US00D637651S

(12) **United States Design Patent**
Hase et al.

(10) **Patent No.:** **US D637,651 S**

(45) **Date of Patent:** **** May 10, 2011**

(54) **DIGITAL SIGN BOARD**

(75) Inventors: **Masaki Hase**, Osaka (JP); **Tsuyoshi Shigeta**, Kadoma (JP)

(73) Assignee: **Sanyo Electric Co., Ltd.**, Osaka (JP)

(**) Term: **14 Years**

(21) Appl. No.: **29/368,879**

(22) Filed: **Aug. 31, 2010**

(30) **Foreign Application Priority Data**

Mar. 2, 2010 (JP) 2010-004931

(51) **LOC (9) Cl.** **20-03**

(52) **U.S. Cl.** **D20/42**

(58) **Field of Classification Search** D20/10,
D20/19, 21, 29-43, 99; 40/446, 448, 452,
40/453, 472, 538, 541, 564, 584, 644.02,
40/644, 2; D6/300, 308; D10/104, 109;
D14/126, 371, 374; 362/812

See application file for complete search history.

(56) **References Cited**

U.S. PATENT DOCUMENTS

D405,472 S * 2/1999 Kim D20/10
D424,538 S * 5/2000 Hayashi et al. D14/374
D519,117 S * 4/2006 Lewis D14/374
D600,661 S * 9/2009 Ohki et al. D14/126
D623,232 S * 9/2010 Warren, Jr. D20/10

D624,598 S * 9/2010 Chida et al. D20/43
2002/0000057 A1 * 1/2002 Nash 40/564
2004/0244244 A1 * 12/2004 Klassen et al. 40/472
2009/0178314 A1 * 7/2009 Nguyen 40/446

FOREIGN PATENT DOCUMENTS

JP D1226071 S 12/2004
JP D1258103 S 12/2005
JP D1365676 S 7/2009
JP D1369732 S 9/2009

* cited by examiner

Primary Examiner — Mary Ann Calabrese

(74) *Attorney, Agent, or Firm* — McDermott Will & Emery LLP

(57) **CLAIM**

The ornamental design for a digital sign board, as shown and described.

DESCRIPTION

FIG. 1 is a front, top, left-side perspective view thereof;
FIG. 2 is a rear, top, right-side perspective view thereof;
FIG. 3 is a front elevation view thereof;
FIG. 4 is a rear elevation view thereof;
FIG. 5 is a top plain view thereof;
FIG. 6 is a bottom plain view thereof;
FIG. 7 is a left-side elevation view thereof; and,
FIG. 8 is a right-side elevation view thereof.
The broken lines in the drawings are for illustrative purposes only and form no part of the claimed design.

1 Claim, 3 Drawing Sheets

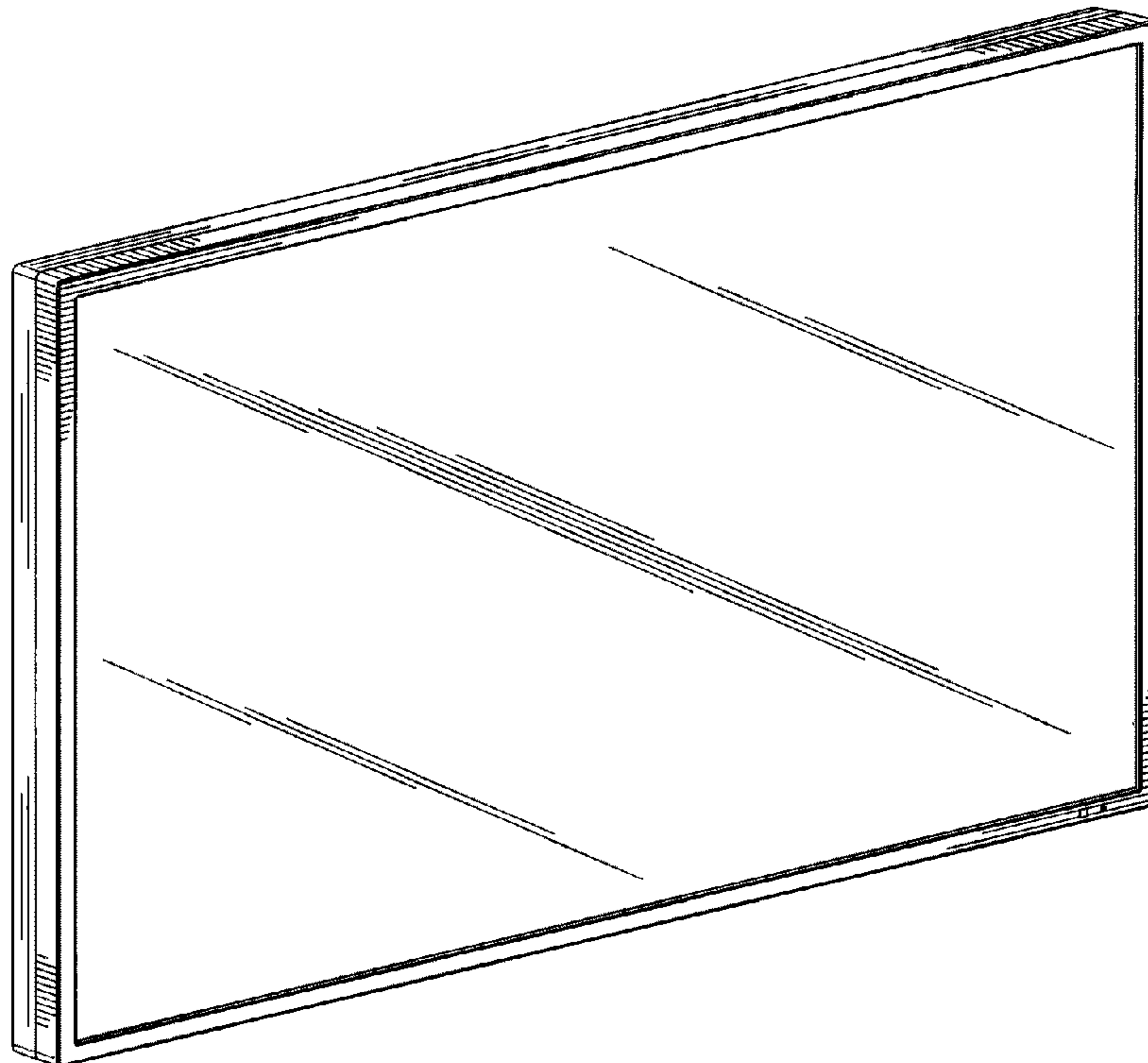


Fig.1

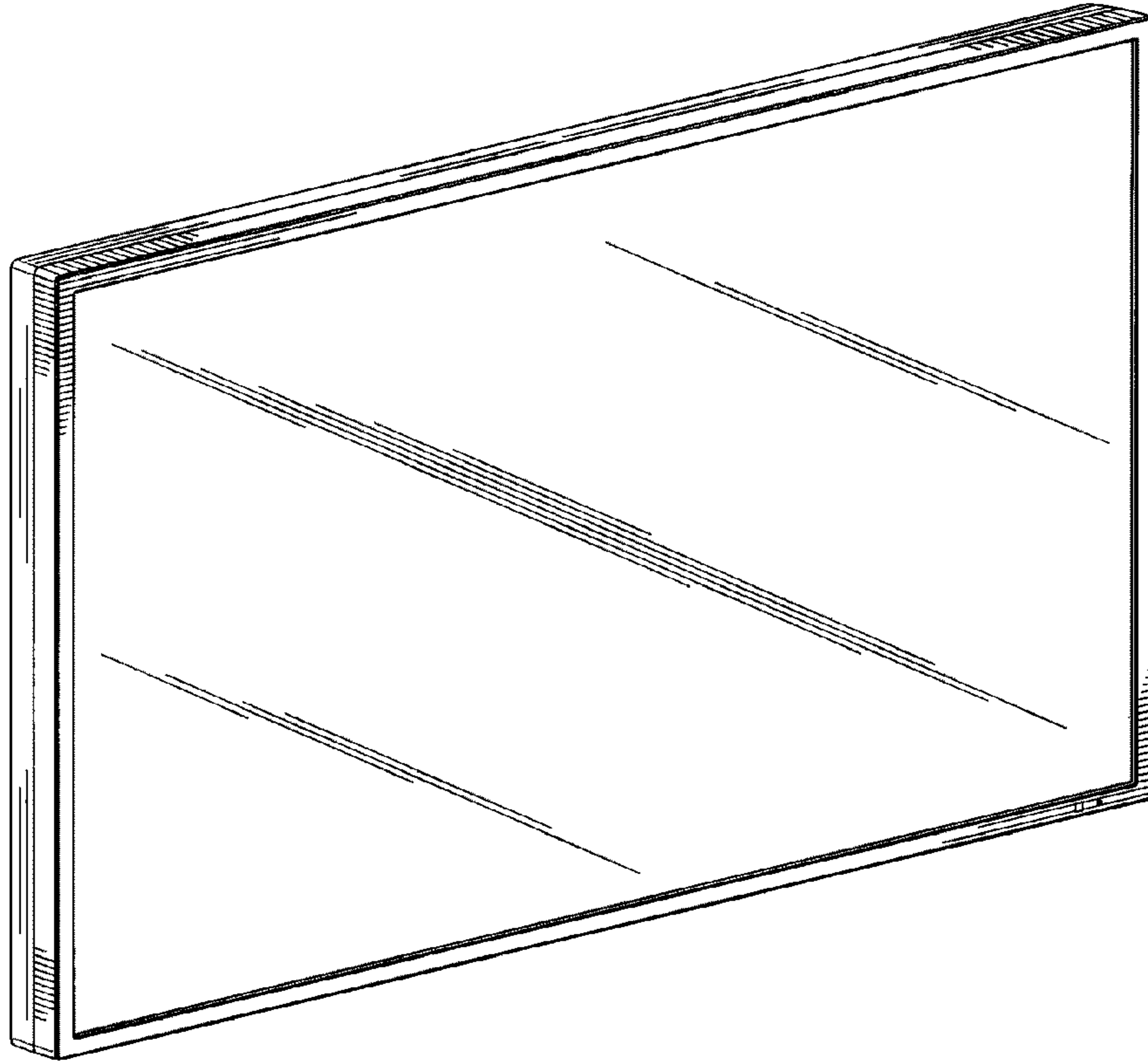


Fig.2

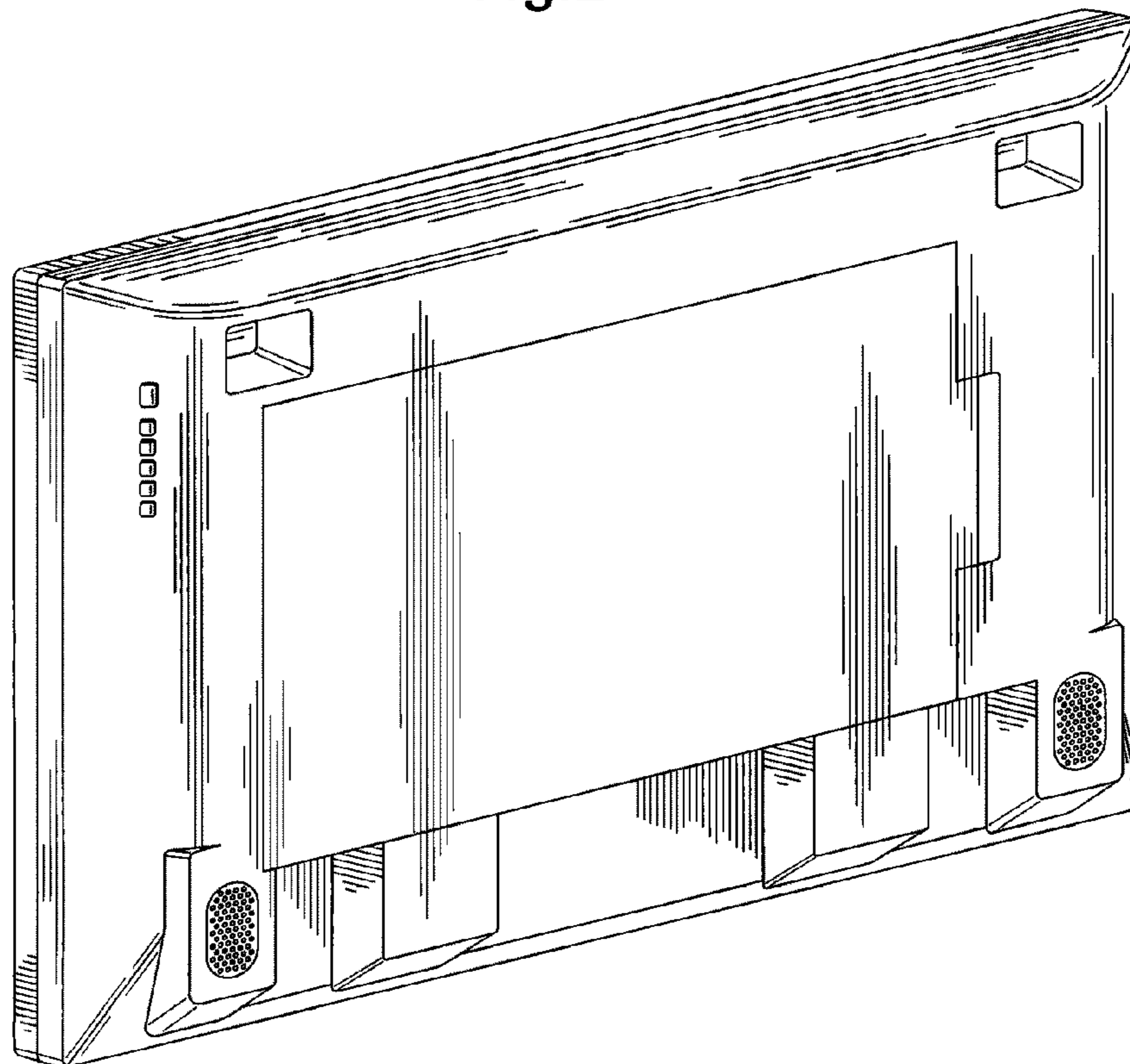


Fig.3

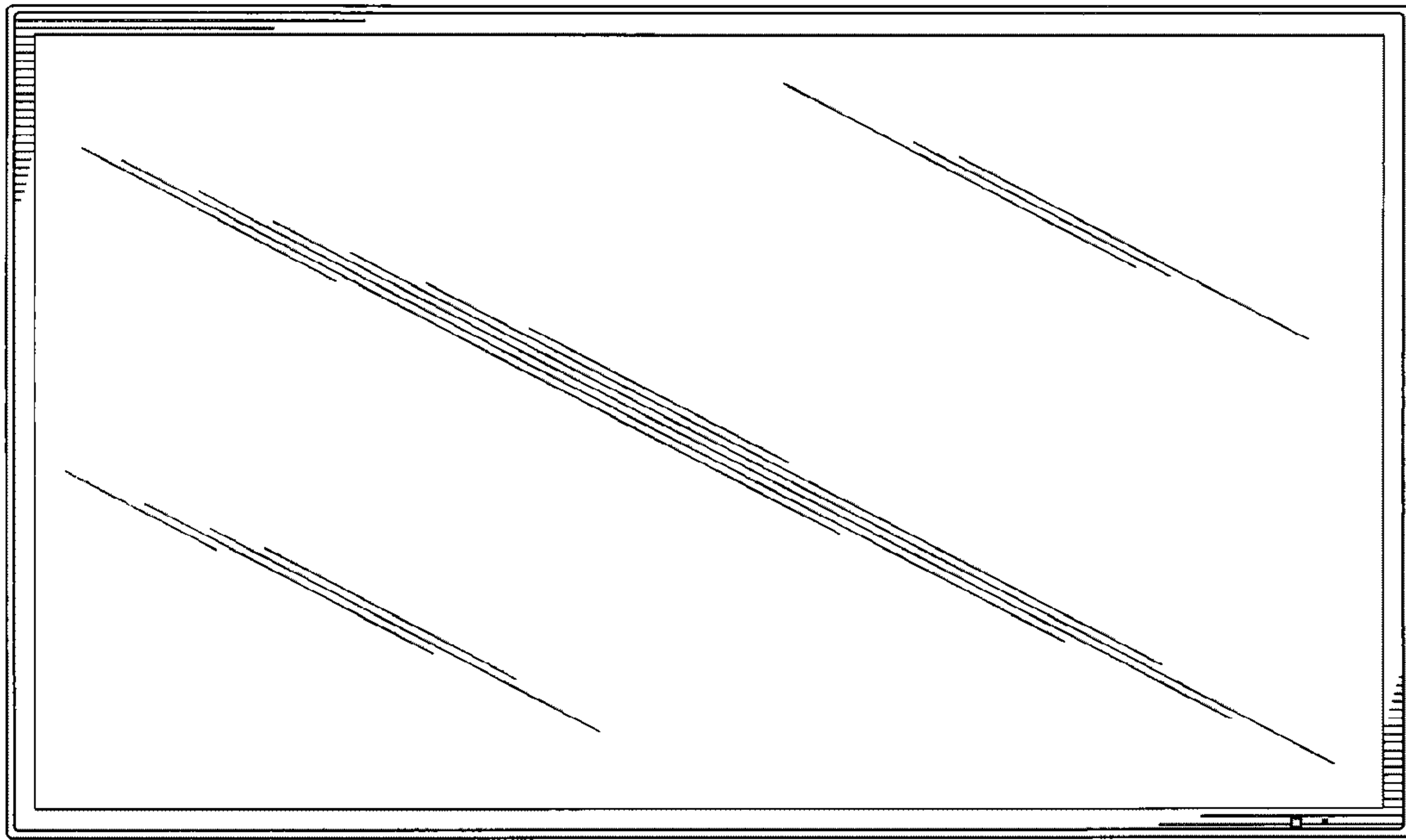


Fig.4

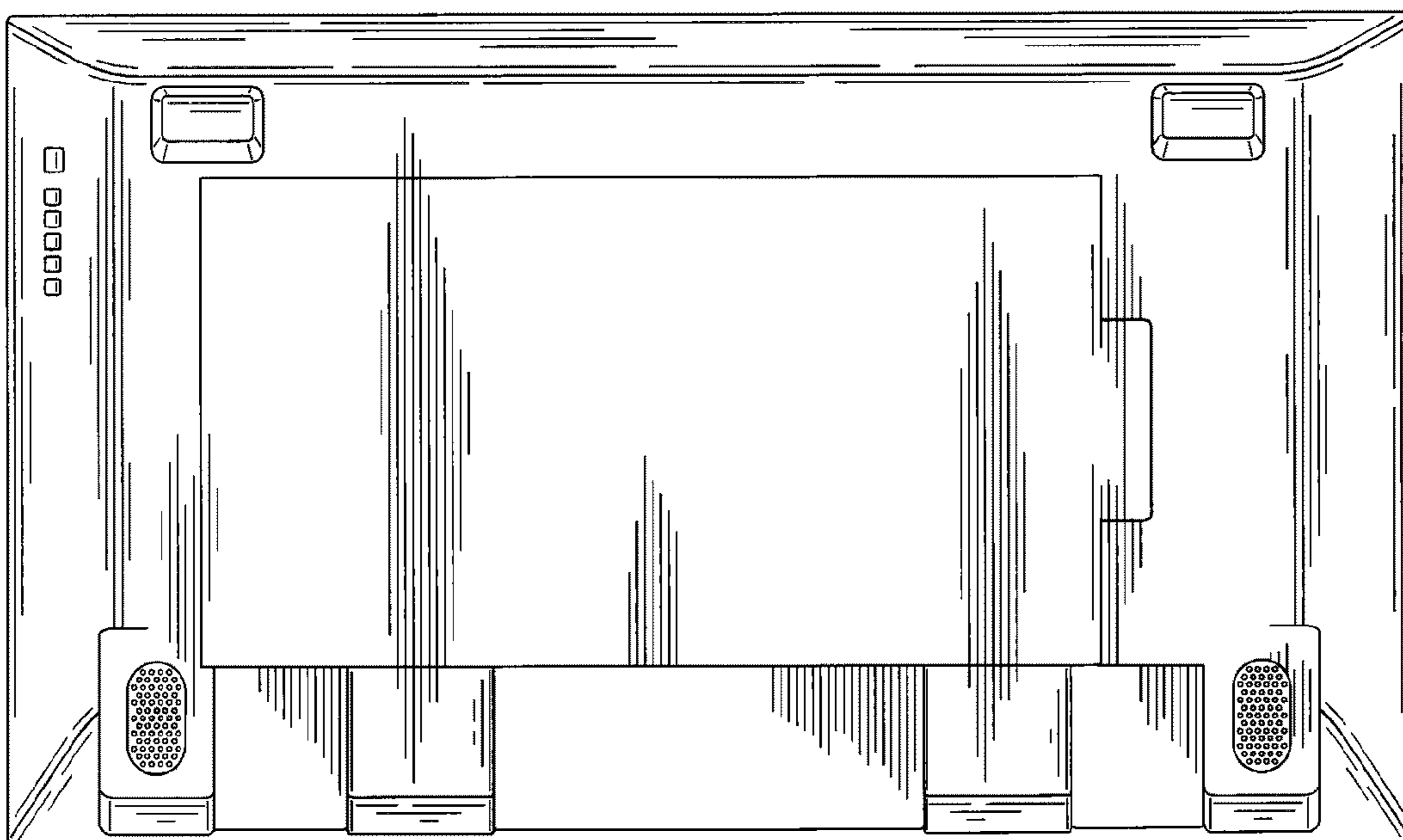


Fig.5

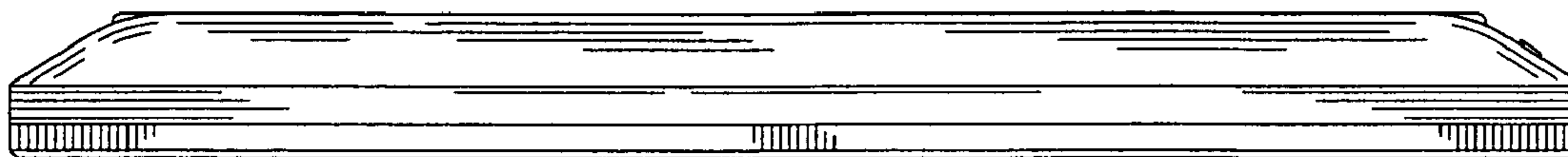


Fig.6



Fig.7



Fig.8

