

US00D637648S

(12) **United States Design Patent**
Ringl

(10) **Patent No.:** **US D637,648 S**

(45) **Date of Patent:** **** May 10, 2011**

(54) **BOX FOR BUSINESS CARDS**

(76) Inventor: **Walter Ringl**, Marchtrenk (AT)

(**) Term: **14 Years**

(21) Appl. No.: **29/316,488**

(22) Filed: **Oct. 2, 2009**

(30) **Foreign Application Priority Data**

Apr. 6, 2009 (EM) 1118418
Aug. 7, 2009 (EM) 1599101

(51) **LOC (9) Cl.** **19-02**

(52) **U.S. Cl.** **D19/86**

(58) **Field of Classification Search** D3/247,
D3/273, 294; D6/449, 512, 553, 632, 634,
D6/635; D19/75-83, 86-92, 95-100; 206/39,
206/39.4, 39.5, 214, 425, 555; 211/88.01;
221/60, 232, 259; 312/243

See application file for complete search history.

(56) **References Cited**

U.S. PATENT DOCUMENTS

338,235 A * 3/1886 Mullins 16/403
406,965 A * 7/1889 Stovel et al. 221/4
417,166 A * 12/1889 Geisenheimer 206/39.4
1,018,283 A * 2/1912 Whallon 271/1
1,051,198 A * 1/1913 Collins 206/39.6
1,052,344 A * 2/1913 Ipsen 221/36
1,173,843 A * 2/1916 Morton 206/39.3
1,213,816 A * 1/1917 Ballentine 206/39.3
1,537,244 A * 5/1925 McCaghren 206/39.3
3,108,734 A * 10/1963 Hewko 206/39
3,164,295 A * 1/1965 Shwarz 221/116
3,308,989 A * 3/1967 Alltop et al. 221/232
3,393,831 A * 7/1968 Stewart 221/232
3,421,658 A * 1/1969 Cooksey 221/307
3,456,869 A * 7/1969 Paulson 229/69
4,170,914 A * 10/1979 Carrier 83/580

4,792,058 A * 12/1988 Parker 221/232
D299,288 S * 1/1989 Stafford D3/247
4,887,739 A * 12/1989 Parker 221/232
D314,865 S * 2/1991 Tuisku D3/247
4,997,105 A * 3/1991 Fischer 221/45
5,217,056 A * 6/1993 Ritter 150/147
D346,960 S * 5/1994 Bennett D9/418
D365,482 S * 12/1995 Larimore D6/518
D375,015 S * 10/1996 Kobayashi et al. D6/632
5,895,903 A * 4/1999 Abe et al. 235/380
D417,077 S * 11/1999 Sheu D3/294
D417,091 S * 11/1999 Shirakami et al. D6/407
D417,812 S * 12/1999 Rubin D6/632
6,026,873 A * 2/2000 Van Geer 150/147
D423,273 S * 4/2000 Sankey et al. D6/632

(Continued)

FOREIGN PATENT DOCUMENTS

WO DM/059903 * 4/2002

Primary Examiner — Elizabeth A Albert

(74) *Attorney, Agent, or Firm* — Horst M. Kasper

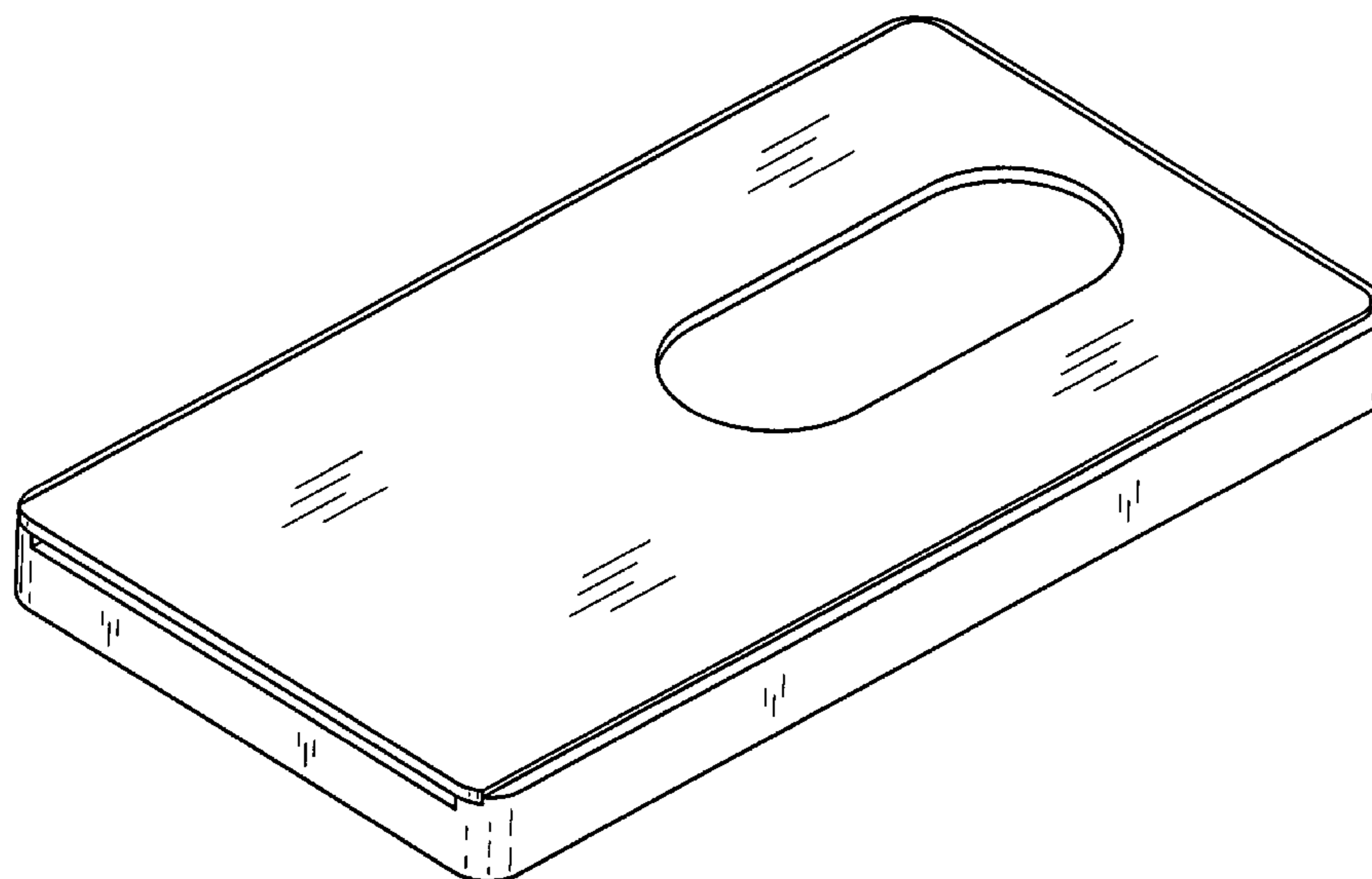
(57) **CLAIM**

The ornamental design for a box for business cards, as shown and described.

DESCRIPTION

FIG. 1 is a front perspective view of box for business cards; FIG. 2 is a front elevational view thereof; FIG. 3 is a rear elevational view thereof; FIG. 4 is a left side elevational view thereof; FIG. 5 is a right side elevational view thereof; FIG. 6 is a top plan view thereof; FIG. 7 is a bottom plan view thereof. FIG. 8 is another front perspective view thereof showing where the detail view is taken; and, FIG. 9 is a detail view of a portion of FIG. 8. The broken lines showing the circles of the detail view in FIGS. 8 and 9 form no part of the claimed design.

1 Claim, 5 Drawing Sheets



US D637,648 S

Page 2

U.S. PATENT DOCUMENTS

6,050,449	A *	4/2000	Kanj	221/232	D520,291	S *	5/2006	Nagata et al.	D6/631
D423,772	S *	5/2000	Cooper et al.	D3/218	D528,297	S *	9/2006	Feldmann et al.	D3/273
6,082,581	A *	7/2000	Anderson et al.	221/232	D541,964	S *	5/2007	Tseng	D26/51
D431,719	S *	10/2000	Mucarquer	D3/247	D546,674	S *	7/2007	Limber	D3/294
D432,341	S *	10/2000	Shimbo et al.	D6/515	D575,506	S *	8/2008	Huang	D3/247
D435,340	S *	12/2000	Kojoori	D3/250	D586,557	S *	2/2009	Jalet	D3/294
6,155,410	A *	12/2000	Davis	206/39.5	D588,000	S *	3/2009	Goetz et al.	D9/434
D452,045	S *	12/2001	Ferber	D28/61	D606,308	S *	12/2009	Cheng-Wei	D3/294
D473,376	S *	4/2003	Abate	D3/294	D610,200	S *	2/2010	Liang	D19/86
D484,542	S *	12/2003	Hassell	D19/75	D615,078	S *	5/2010	Bradley	D14/250
6,782,998	B2 *	8/2004	Koren	206/39	D619,805	S *	7/2010	Leung	D3/238
D502,041	S *	2/2005	Wynalda et al.	D6/632	2002/0117243	A1 *	8/2002	Koren	150/147
D509,654	S *	9/2005	Miller	D3/247					

* cited by examiner

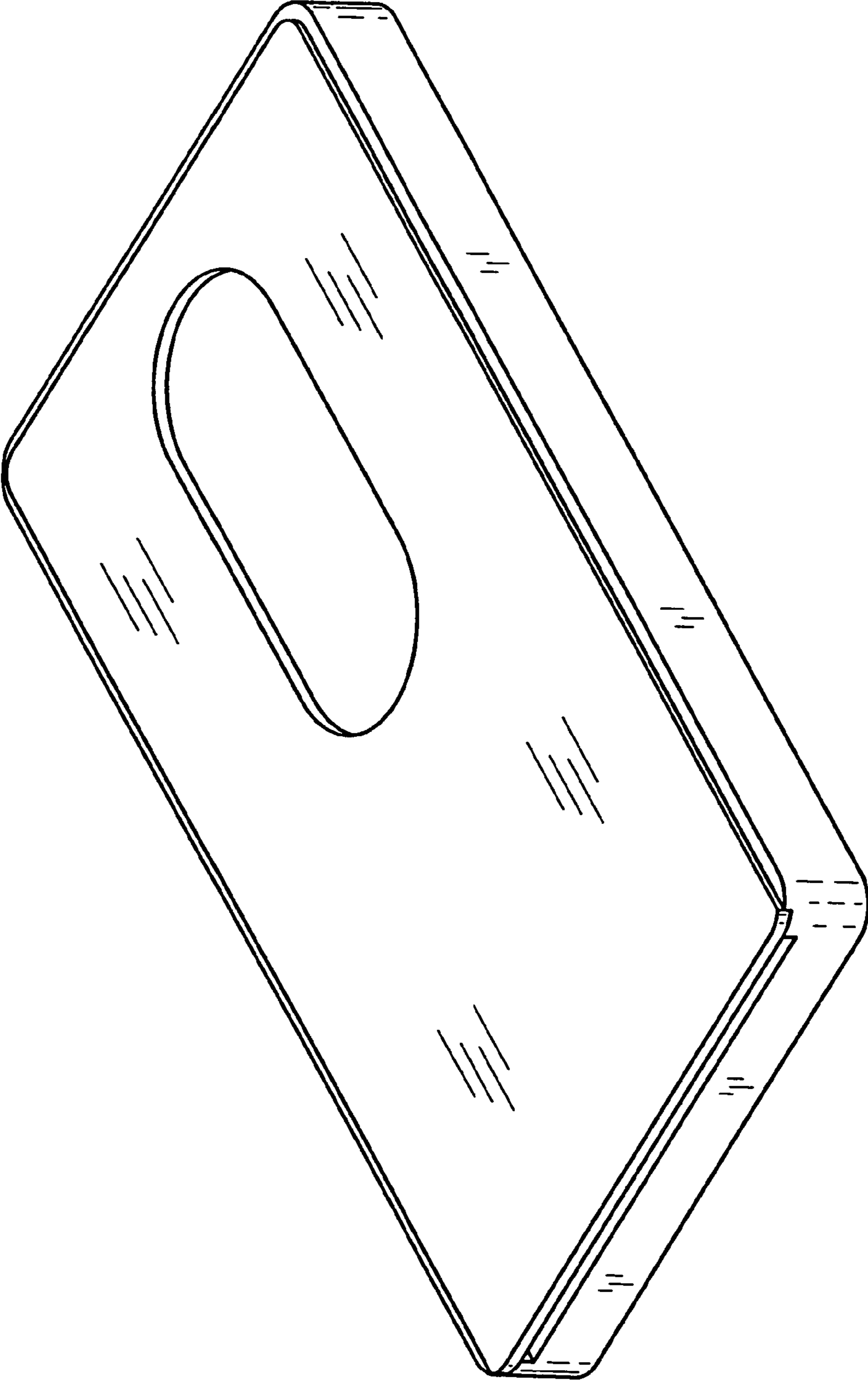


Fig.1

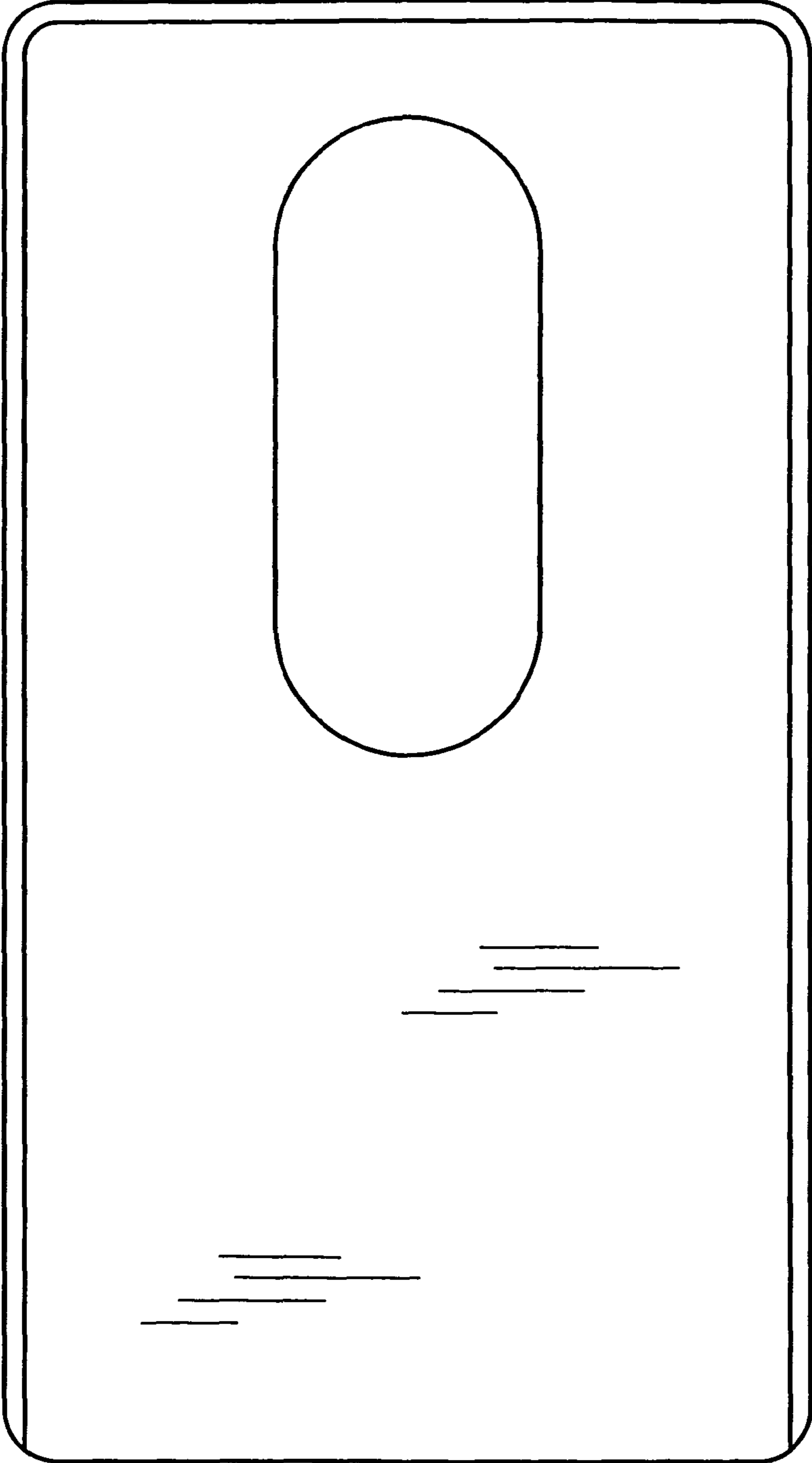


Fig.2

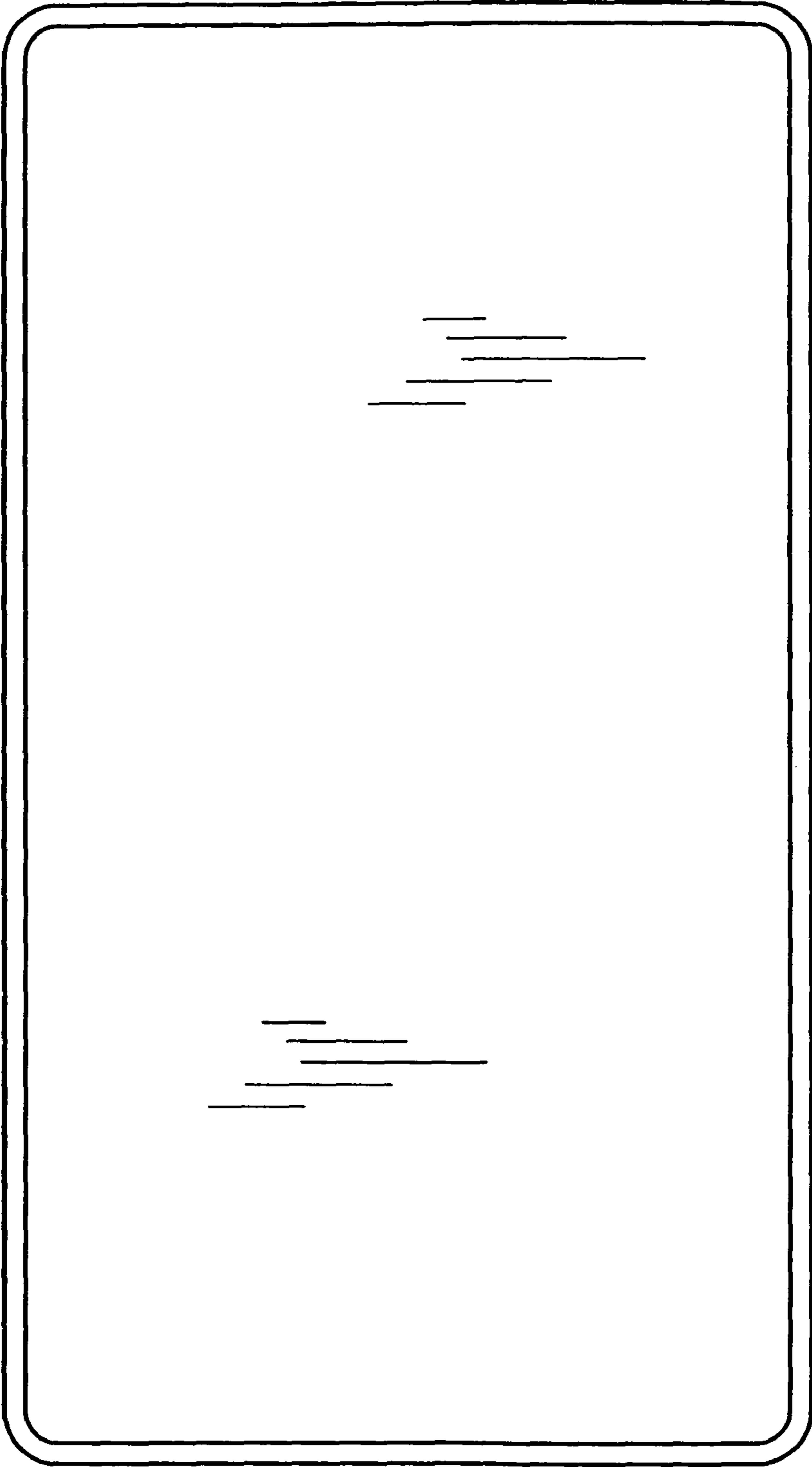


Fig.3

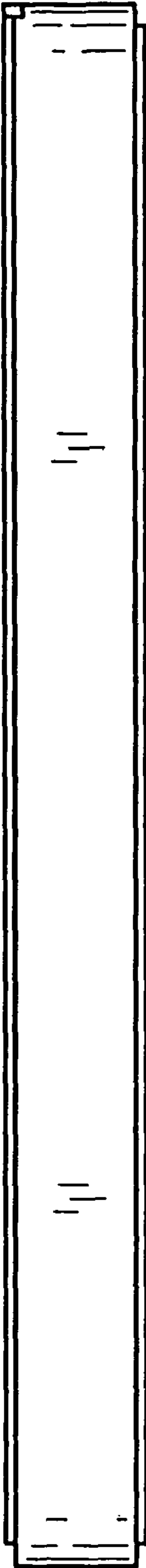


Fig.4

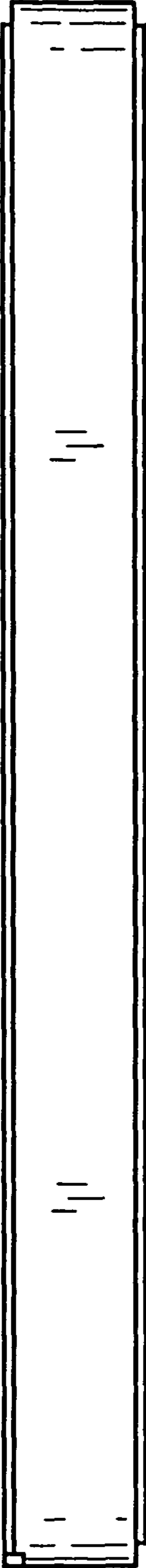


Fig.5

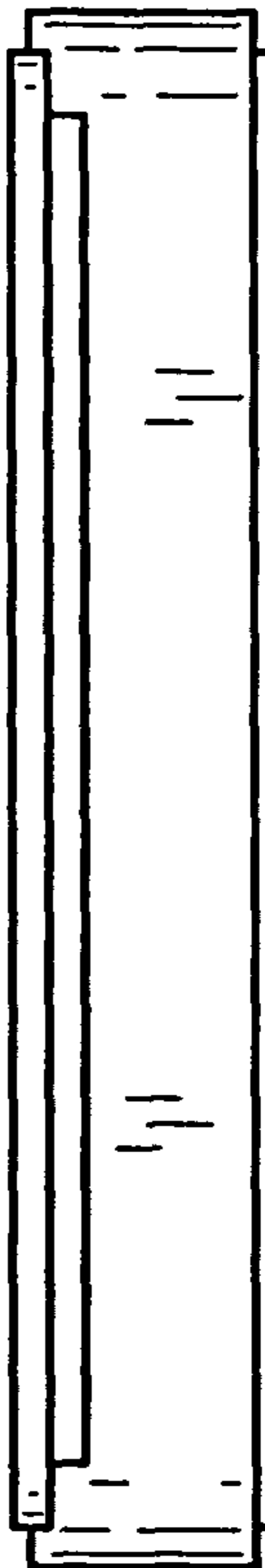


Fig.6

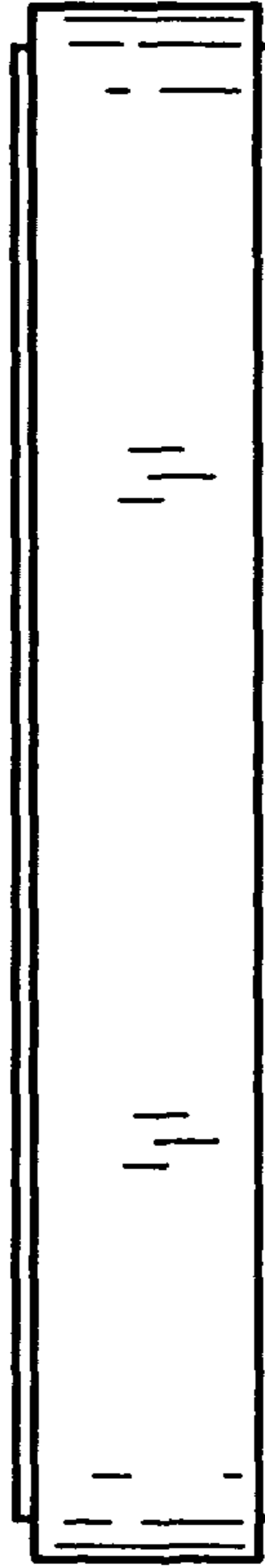


Fig.7

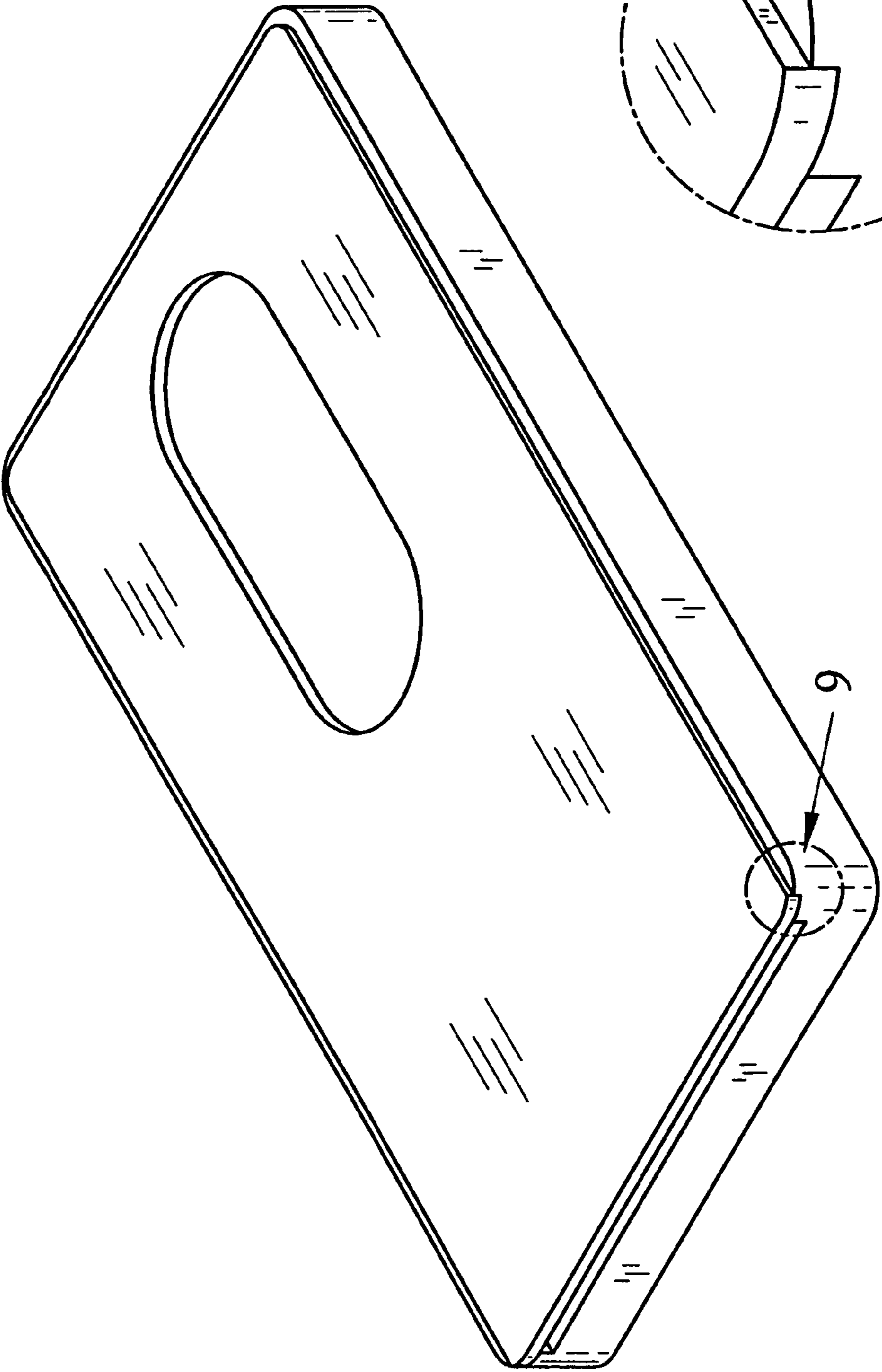


Fig.8

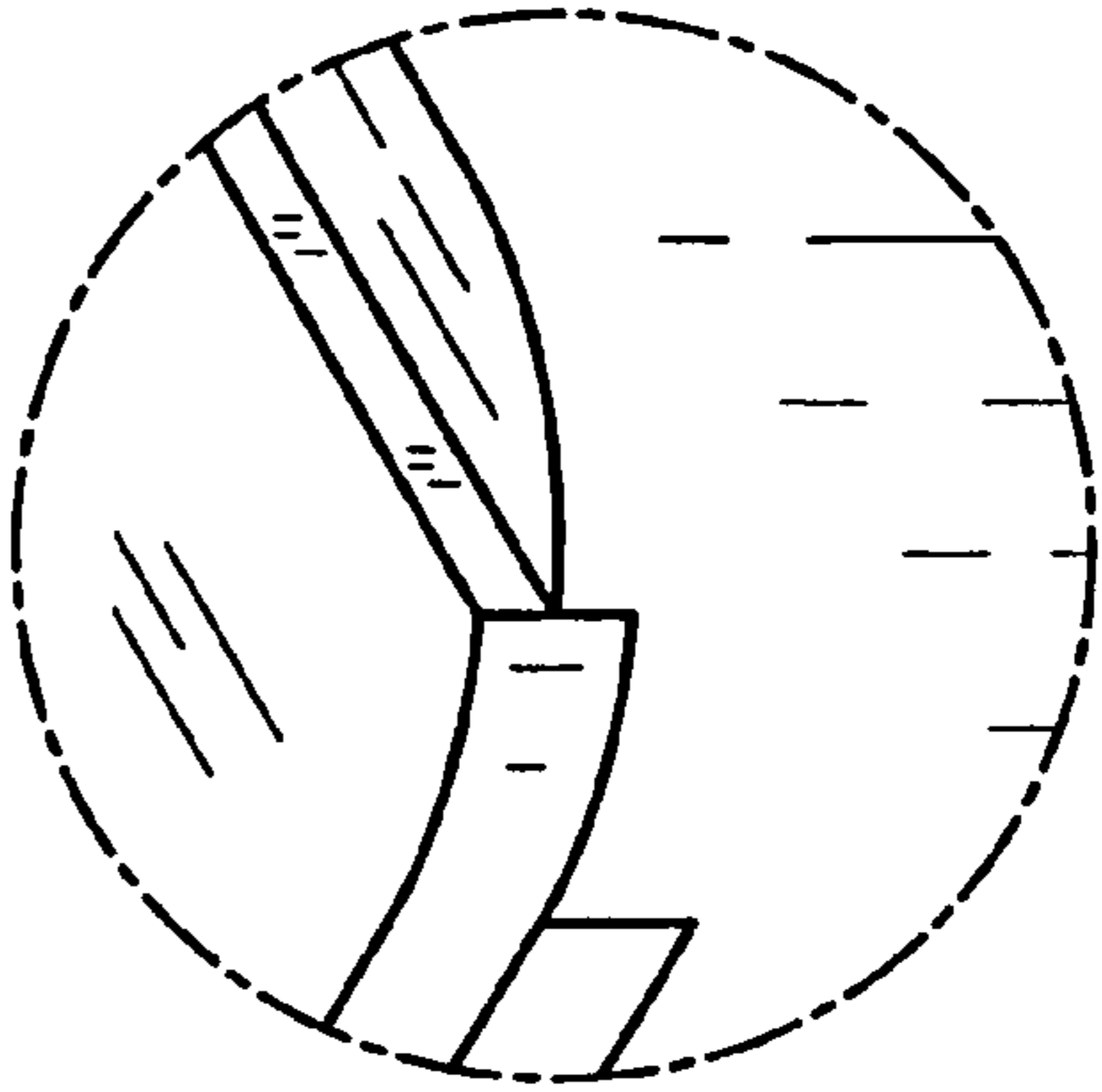


Fig.9