

US00D637640S

(12) **United States Design Patent**  
**Park**

(10) **Patent No.:** **US D637,640 S**

(45) **Date of Patent:** **\*\* \*May 10, 2011**

(54) **CAMERA FOR CLOSED CIRCUIT TELEVISION**

(75) Inventor: **Heeyoung Park**, Incheon (KR)

(73) Assignee: **CNB Technology Inc.** (KR)

(\*) Notice: This patent is subject to a terminal disclaimer.

(\*\*) Term: **14 Years**

(21) Appl. No.: **29/363,243**

(22) Filed: **Jun. 7, 2010**

(51) **LOC (9) Cl.** ..... **16-01**

(52) **U.S. Cl.** ..... **D16/203**

(58) **Field of Classification Search** ..... D16/200–205,  
D16/208, 218; 348/143, 151, 373–376; 358/906;  
396/427, 535–541

See application file for complete search history.

(56) **References Cited**

U.S. PATENT DOCUMENTS

4,414,576 A \* 11/1983 Randmae ..... 348/373  
D340,940 S \* 11/1993 Ellenberger et al. .... D16/203

D474,488 S \* 5/2003 Arbuckle et al. .... D16/203  
D489,743 S \* 5/2004 Owada ..... D16/203  
D497,928 S \* 11/2004 Cheng-Yuan ..... D16/203  
D515,607 S \* 2/2006 Cheng ..... D16/203  
D528,144 S \* 9/2006 Takemasa ..... D16/203  
7,306,383 B2 \* 12/2007 Jones et al. .... 396/427  
7,380,997 B2 \* 6/2008 Takahashi et al. .... 396/427  
D576,193 S \* 9/2008 Su et al. .... D16/203

\* cited by examiner

*Primary Examiner* — Adir Aronovich

(74) *Attorney, Agent, or Firm* — Cantor Colburn LLP

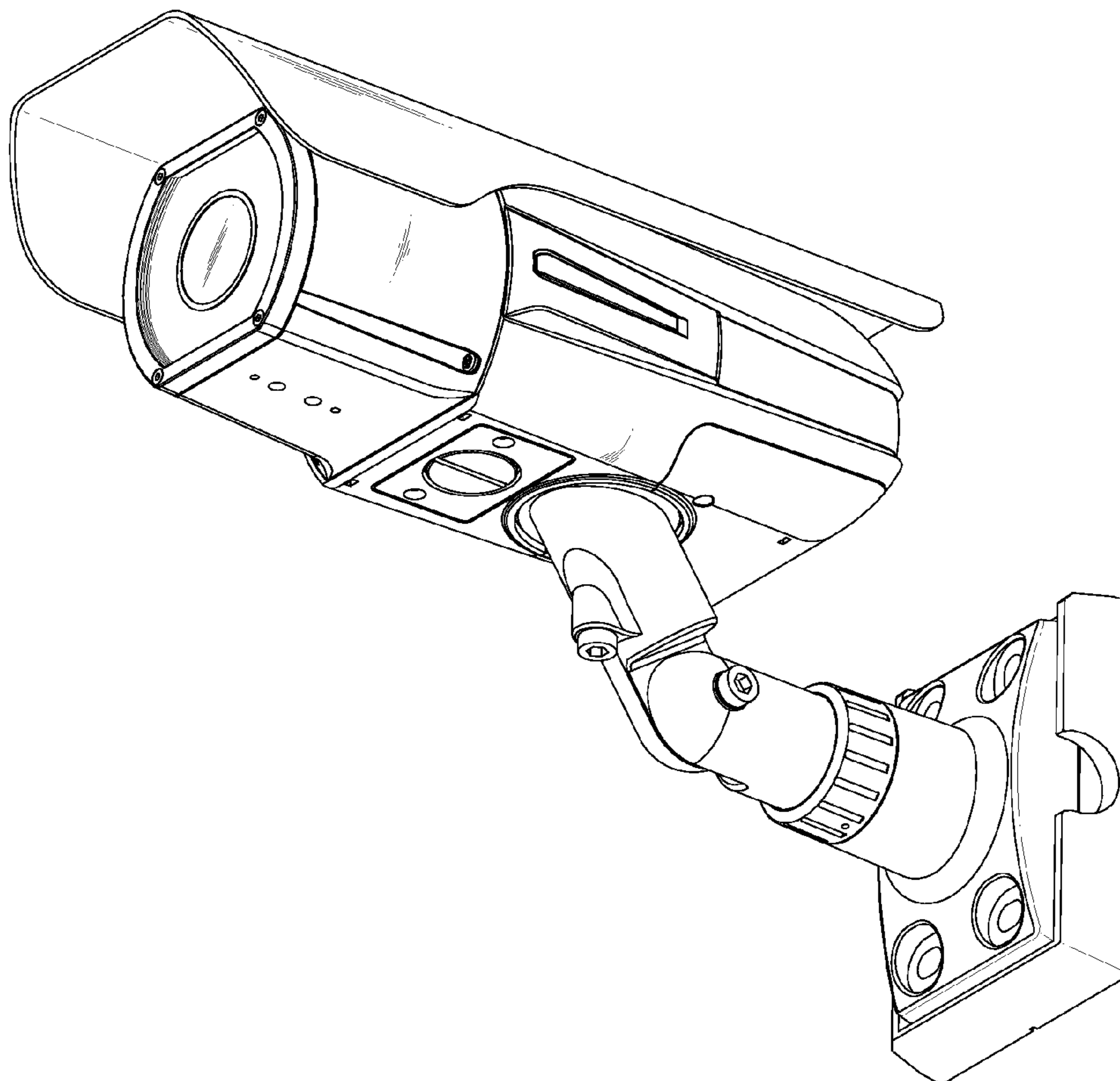
(57) **CLAIM**

The ornamental design for a camera for closed circuit television, as shown and described.

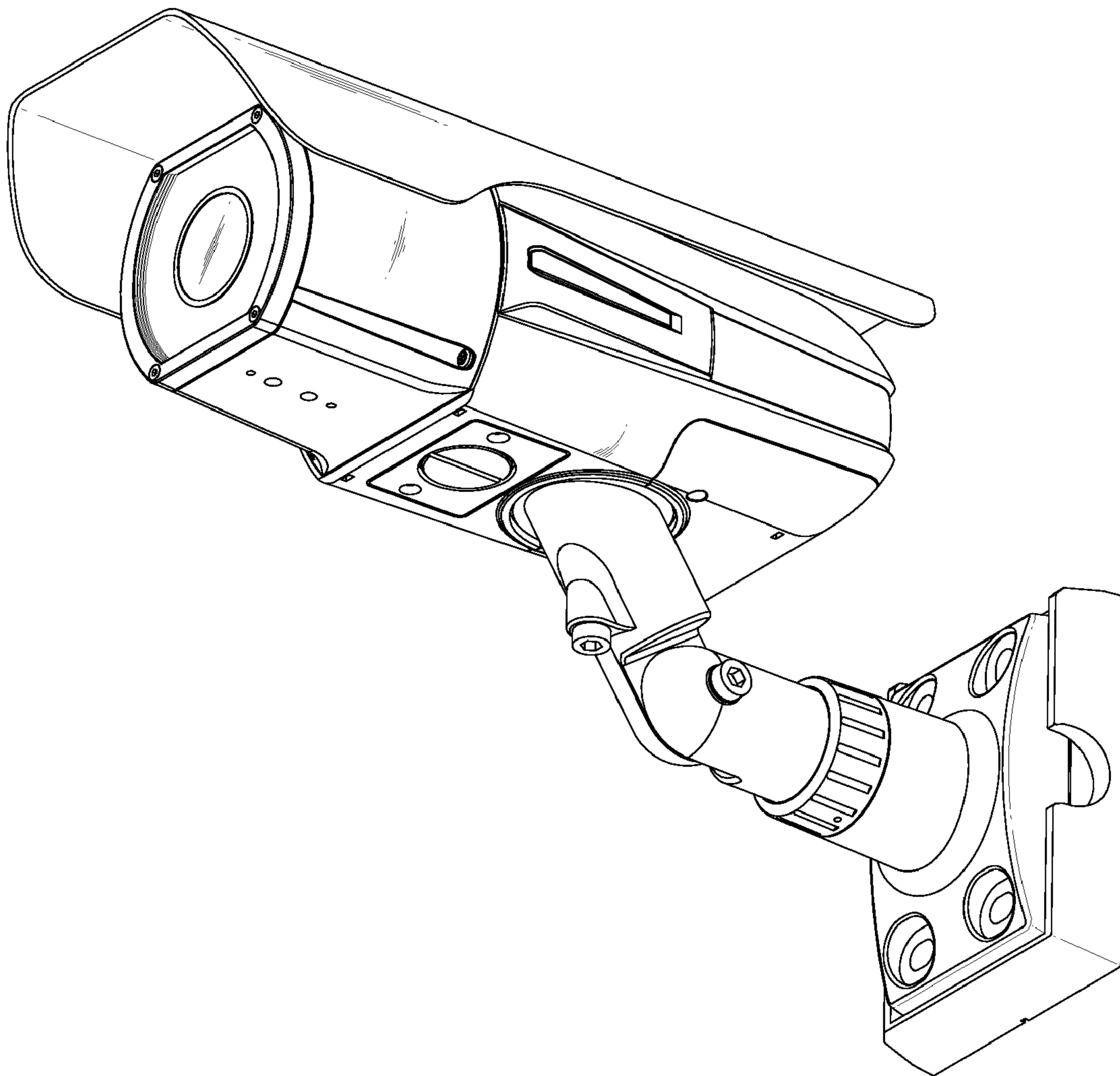
**DESCRIPTION**

FIG. 1 is a front and right side perspective view of a camera for closed circuit television, showing my new design;  
FIG. 2 is a front elevational view thereof;  
FIG. 3 is a rear elevational view thereof;  
FIG. 4 is a left side elevational view thereof;  
FIG. 5 is a right side elevational view thereof;  
FIG. 6 is a top plan view thereof; and,  
FIG. 7 is a bottom plan view thereof.

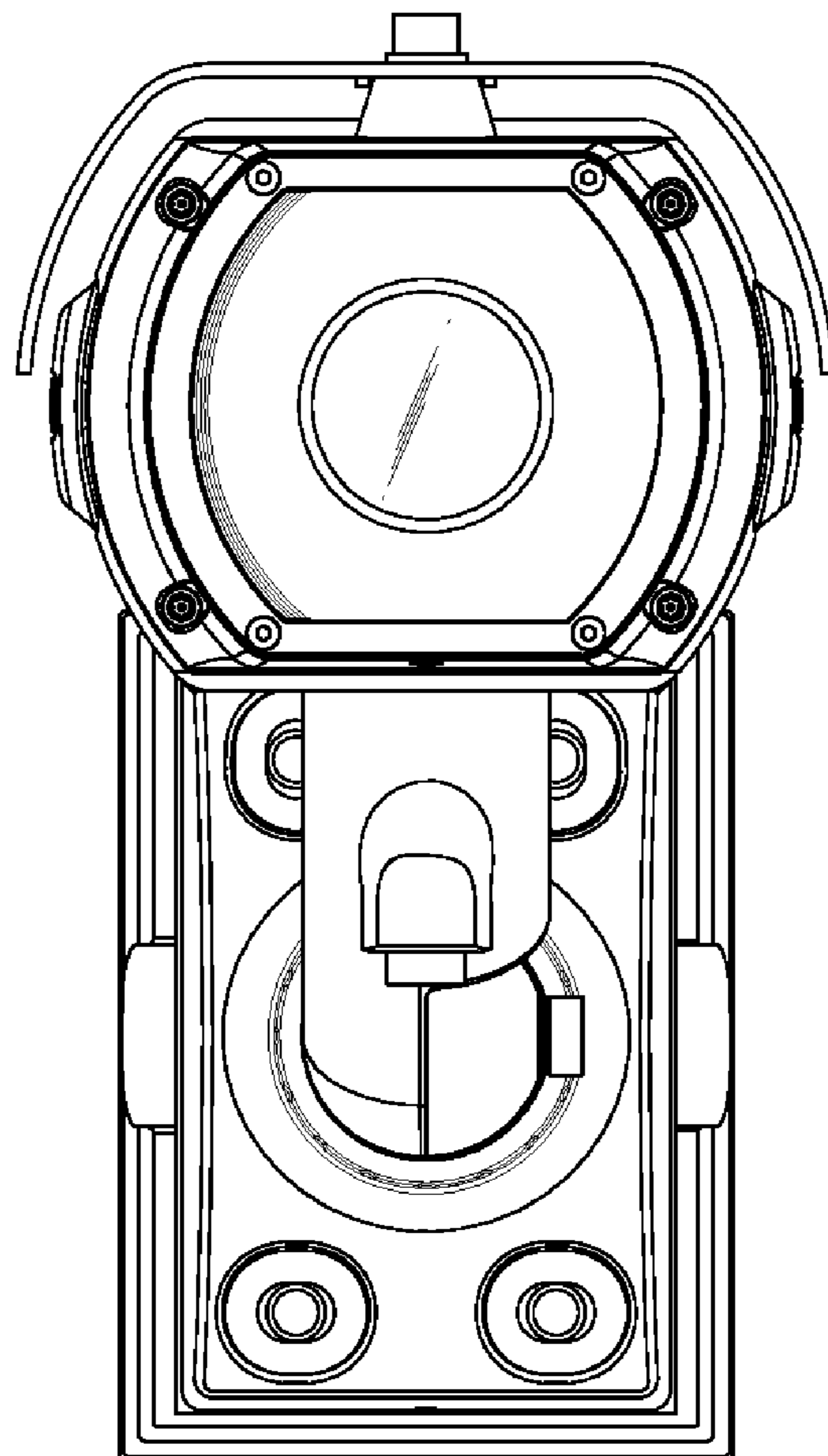
**1 Claim, 7 Drawing Sheets**



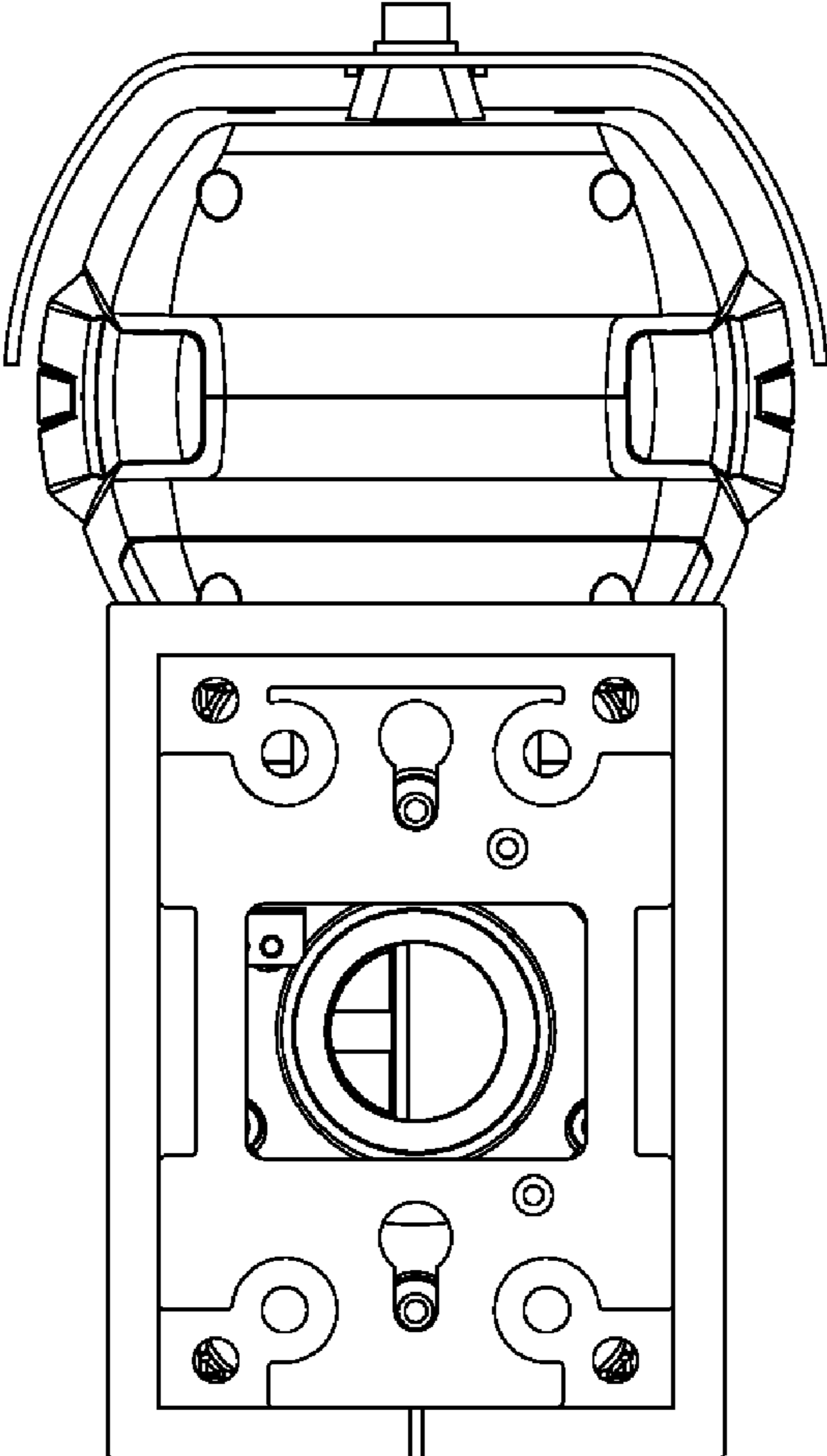
**FIG. 1**



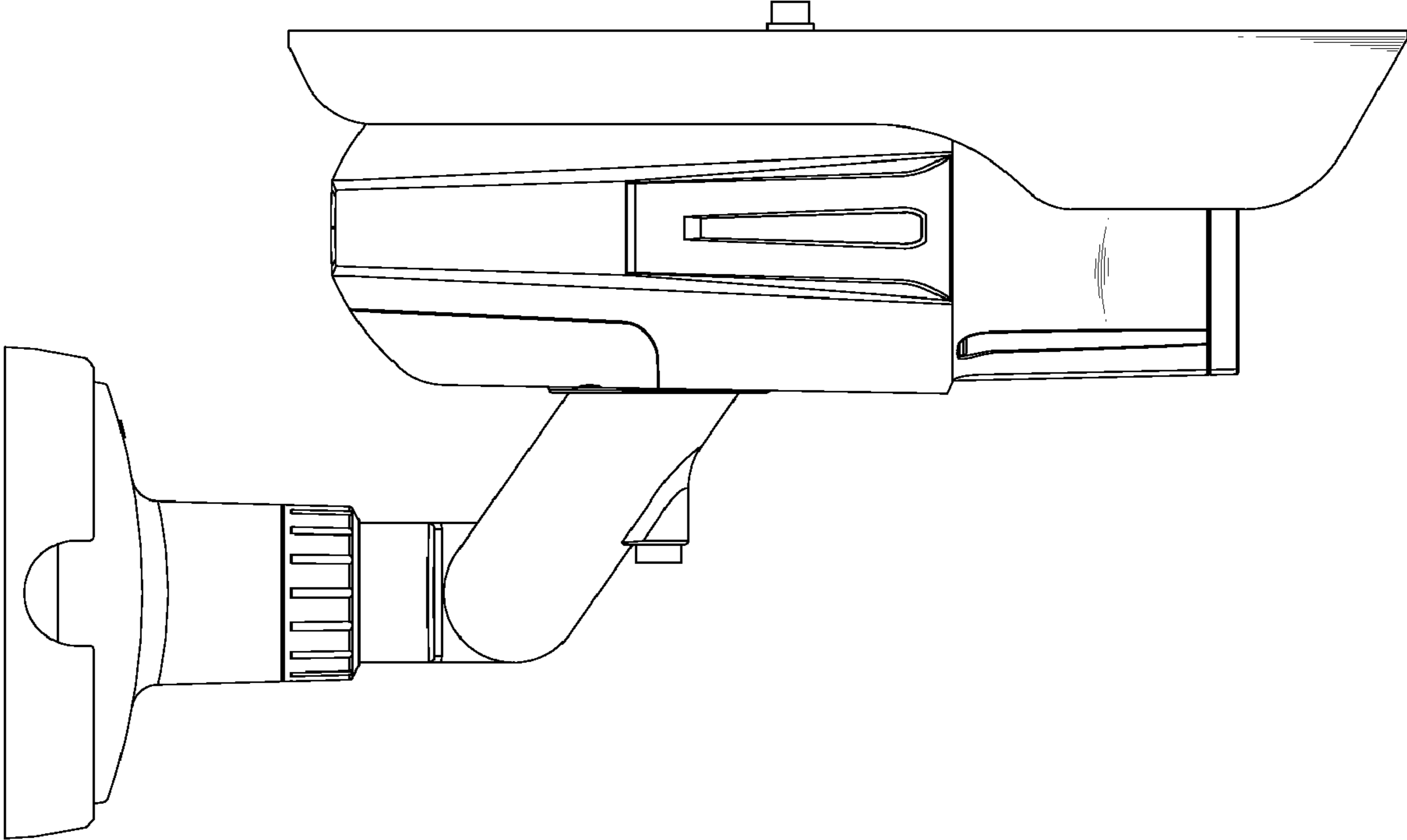
# FIG. 2



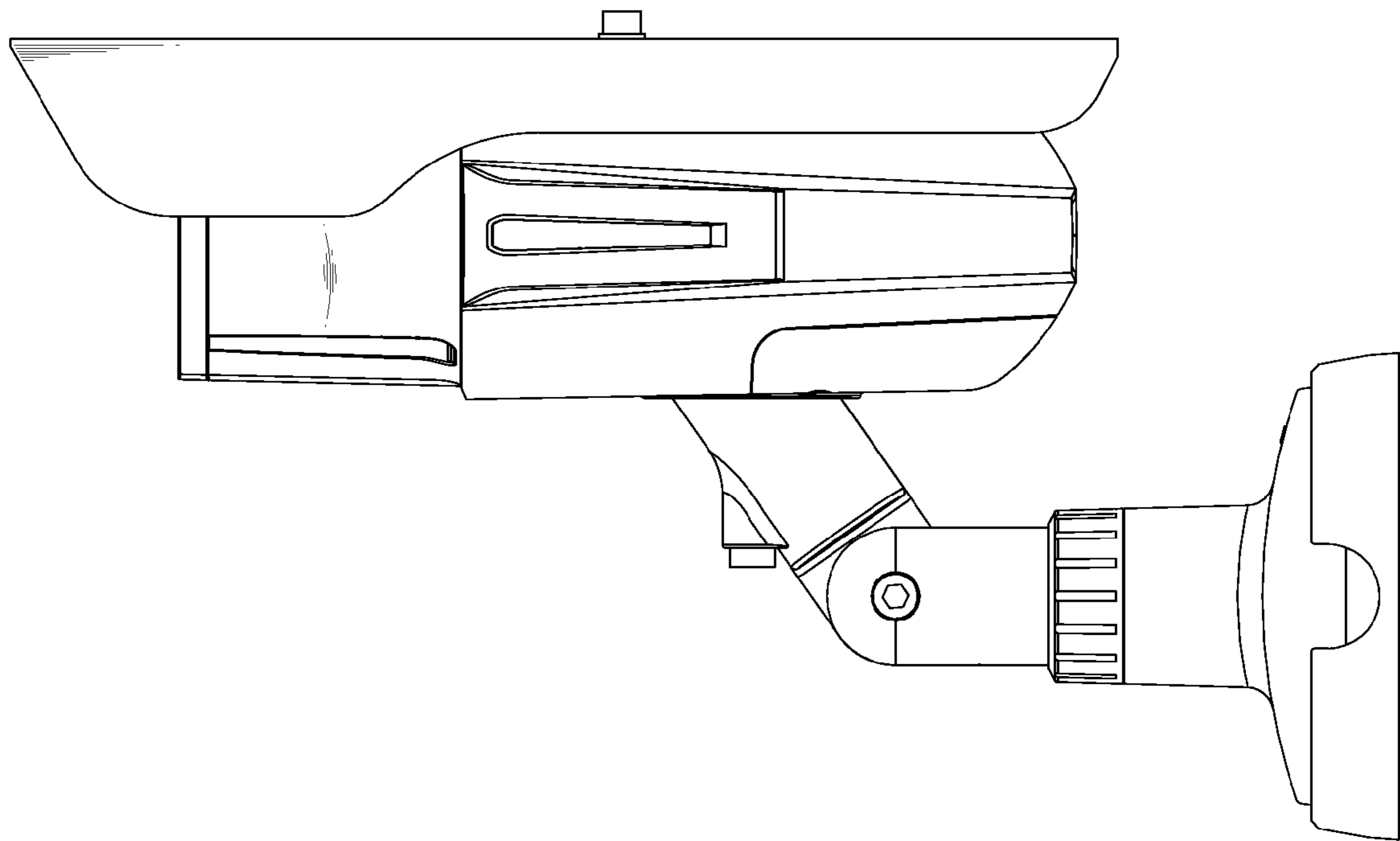
# FIG. 3



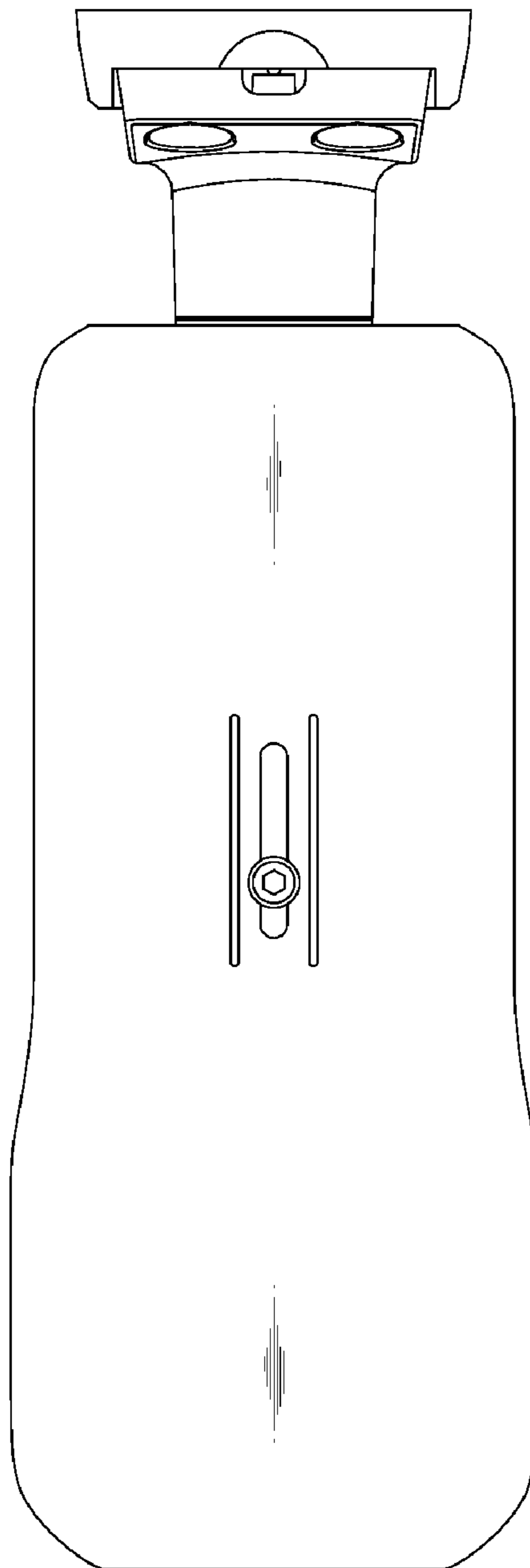
**FIG. 4**



**FIG. 5**



**FIG. 6**



**FIG. 7**

