



US00D637639S

(12) **United States Design Patent**
Park

(10) **Patent No.:** **US D637,639 S**

(45) **Date of Patent:** **** *May 10, 2011**

(54) **CAMERA FOR CLOSED CIRCUIT TELEVISION**

(75) Inventor: **Heeyoung Park**, Incheon (KR)

(73) Assignee: **CNB Technology Inc.** (KR)

(*) Notice: This patent is subject to a terminal disclaimer.

(**) Term: **14 Years**

(21) Appl. No.: **29/363,237**

(22) Filed: **Jun. 7, 2010**

(51) **LOC (9) Cl.** **16-01**

(52) **U.S. Cl.** **D16/203**

(58) **Field of Classification Search** D16/200–205,
D16/208, 218; 348/143, 151, 373–376; 358/906;
396/427, 535–541

See application file for complete search history.

(56) **References Cited**

U.S. PATENT DOCUMENTS

4,414,576 A * 11/1983 Randmae 348/373
D340,940 S * 11/1993 Ellenberger et al. D16/203

D474,488 S * 5/2003 Arbuckle et al. D16/203
D489,743 S * 5/2004 Owada D16/203
D497,928 S * 11/2004 Cheng-Yuan D16/203
D515,607 S * 2/2006 Cheng D16/203
D528,144 S * 9/2006 Takemasa D16/203
7,306,383 B2 * 12/2007 Jones et al. 396/427
7,380,997 B2 * 6/2008 Takahashi et al. 396/427
D576,193 S * 9/2008 Su et al. D16/203

* cited by examiner

Primary Examiner — Adir Aronovich

(74) *Attorney, Agent, or Firm* — Cantor Colburn LLP

(57) **CLAIM**

The ornamental design for a camera for closed circuit television, as shown and described.

DESCRIPTION

FIG. 1 is a front and right side perspective view of a camera for closed circuit television, showing my new design;
FIG. 2 is a front elevational view thereof;
FIG. 3 is a rear elevational view thereof;
FIG. 4 is a left side elevational view thereof;
FIG. 5 is a right side elevational view thereof;
FIG. 6 is a top plan view thereof; and,
FIG. 7 is a bottom plan view thereof.

1 Claim, 7 Drawing Sheets

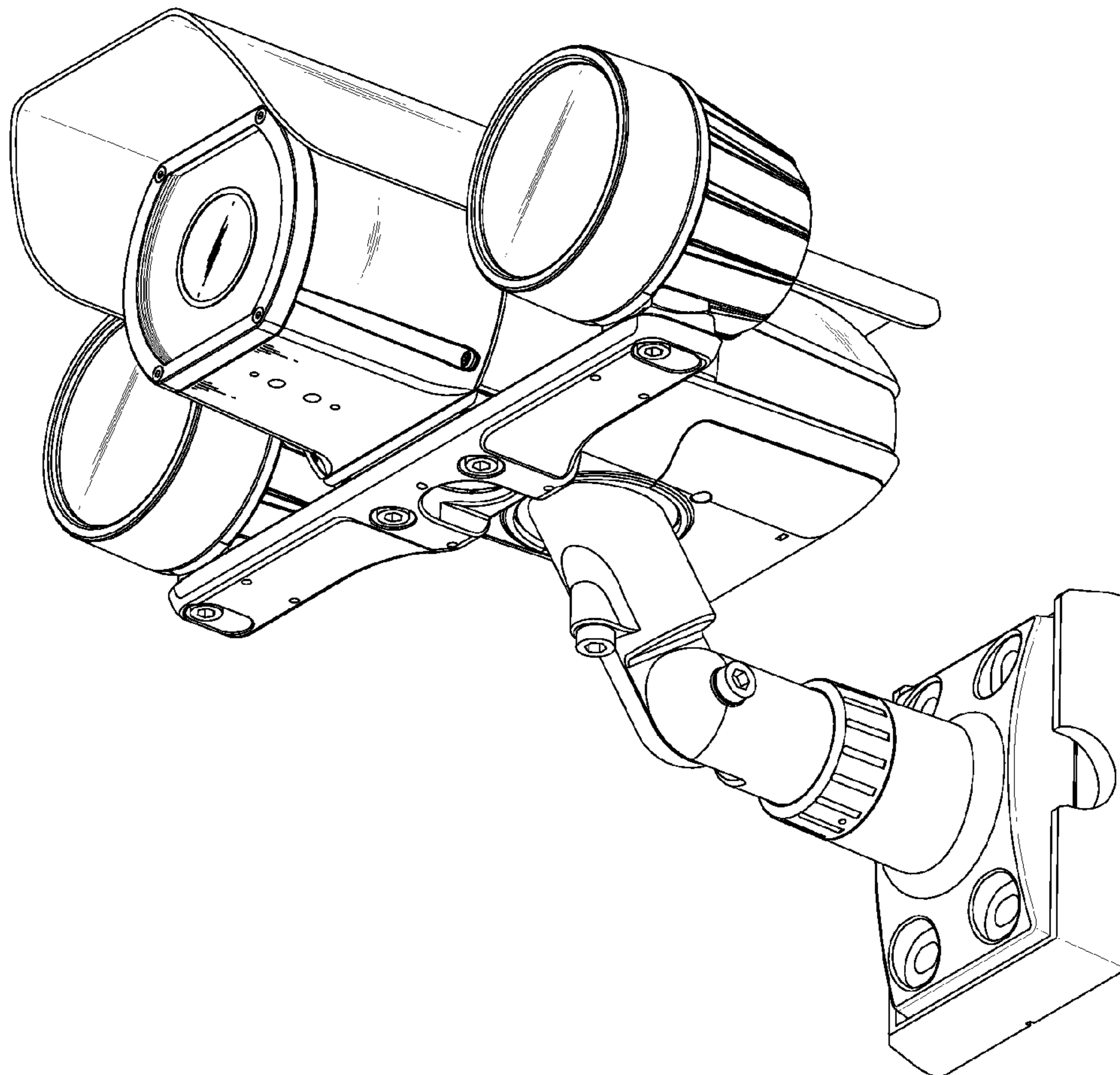


FIG. 1

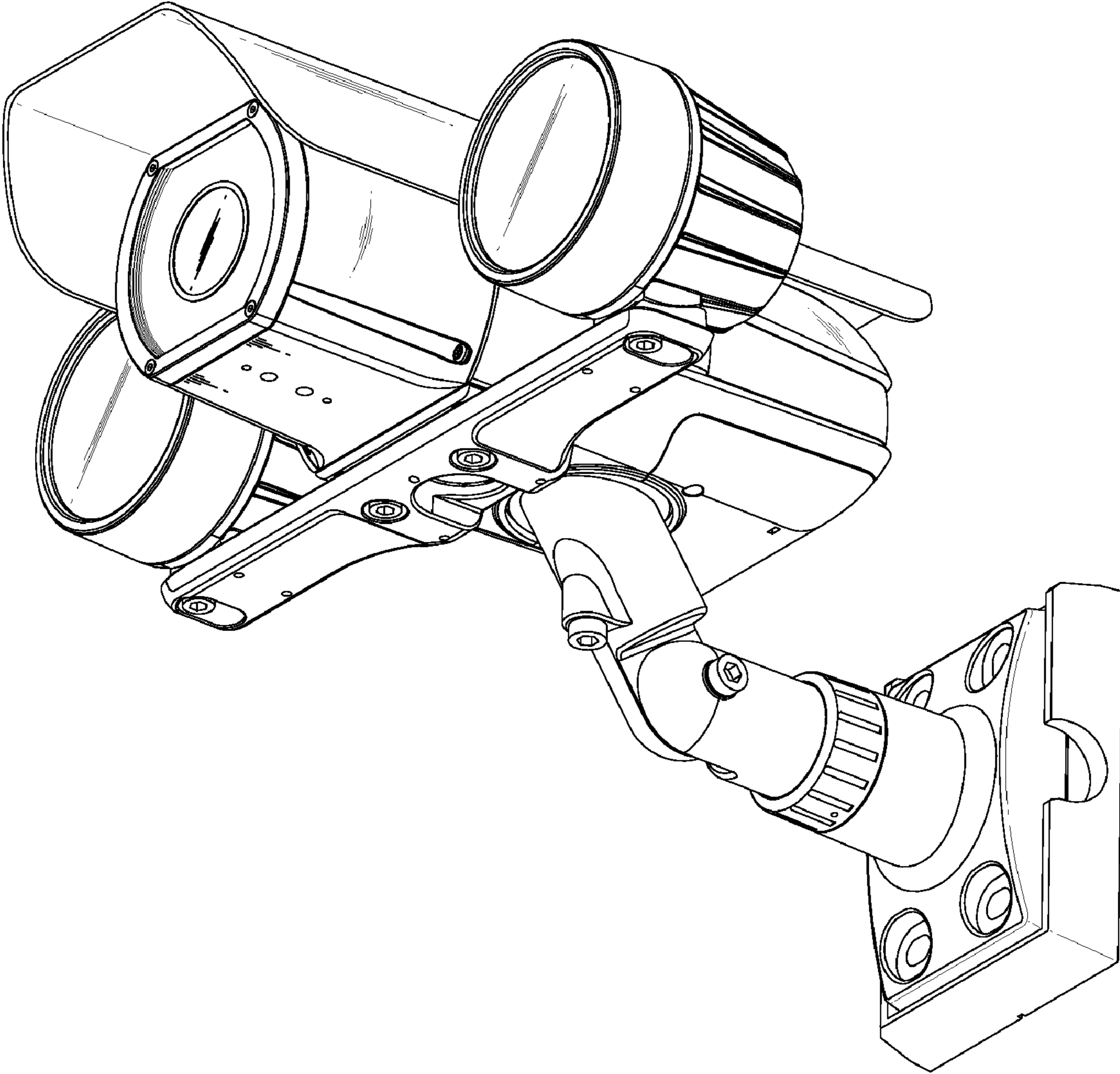


FIG. 2

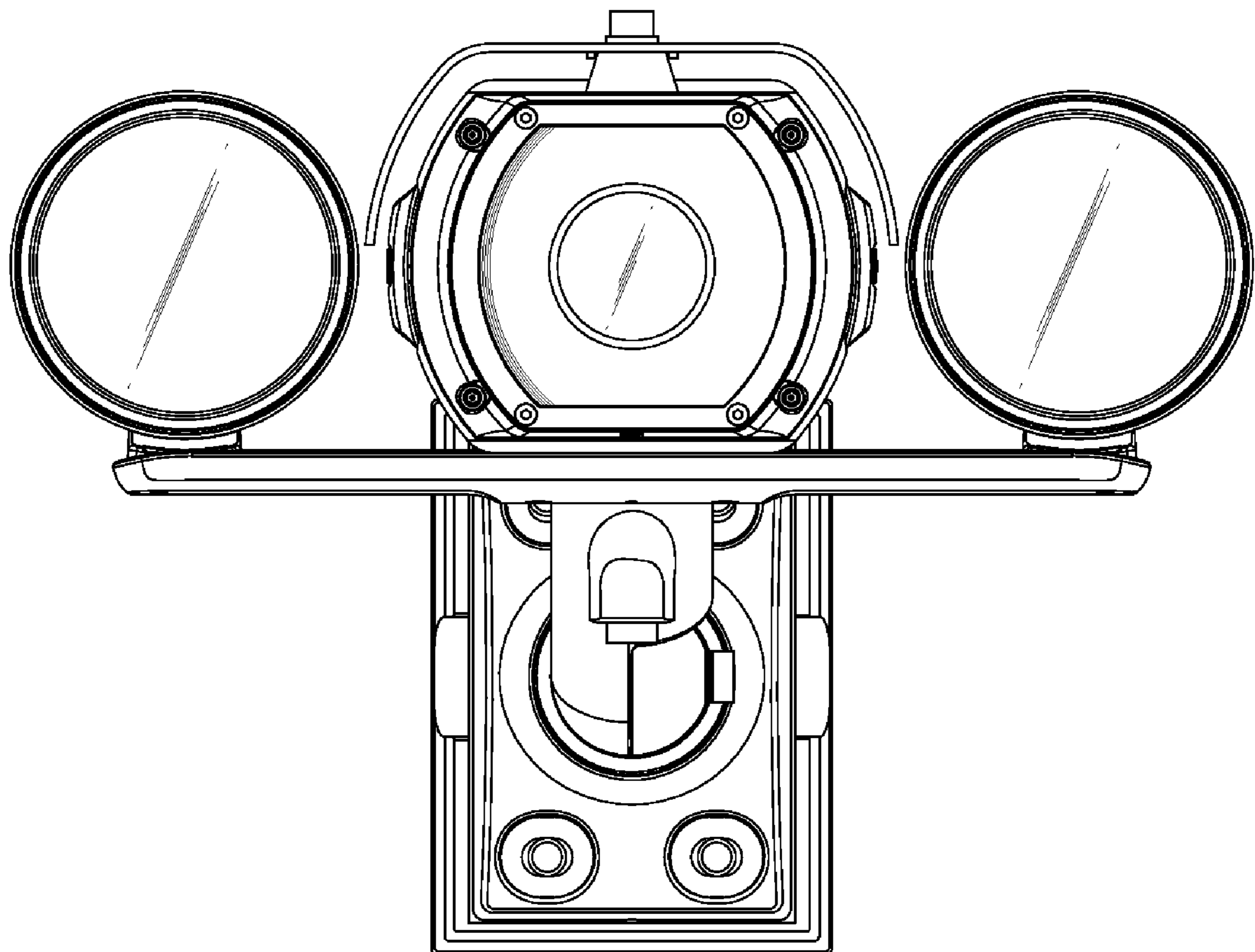


FIG. 3

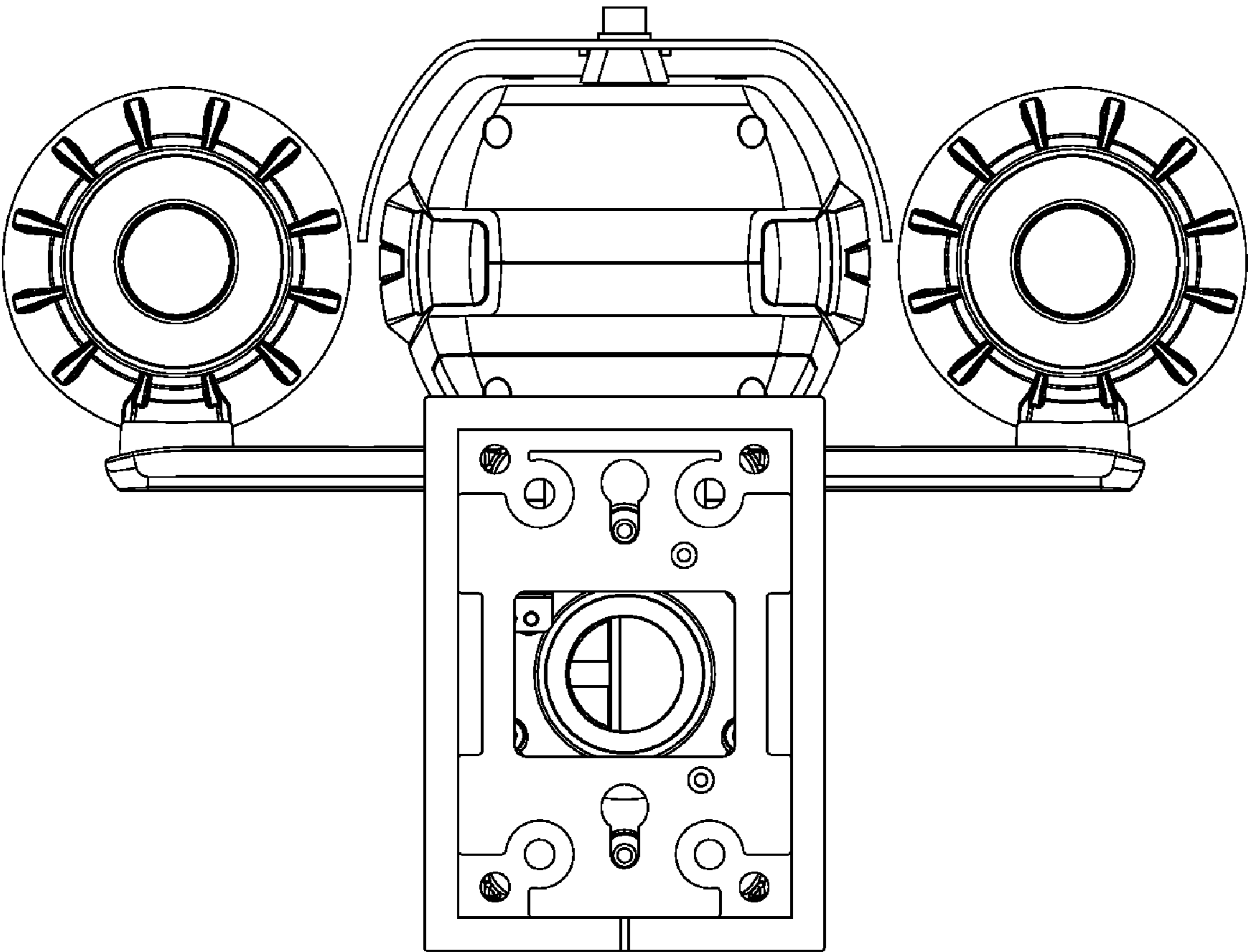


FIG. 4

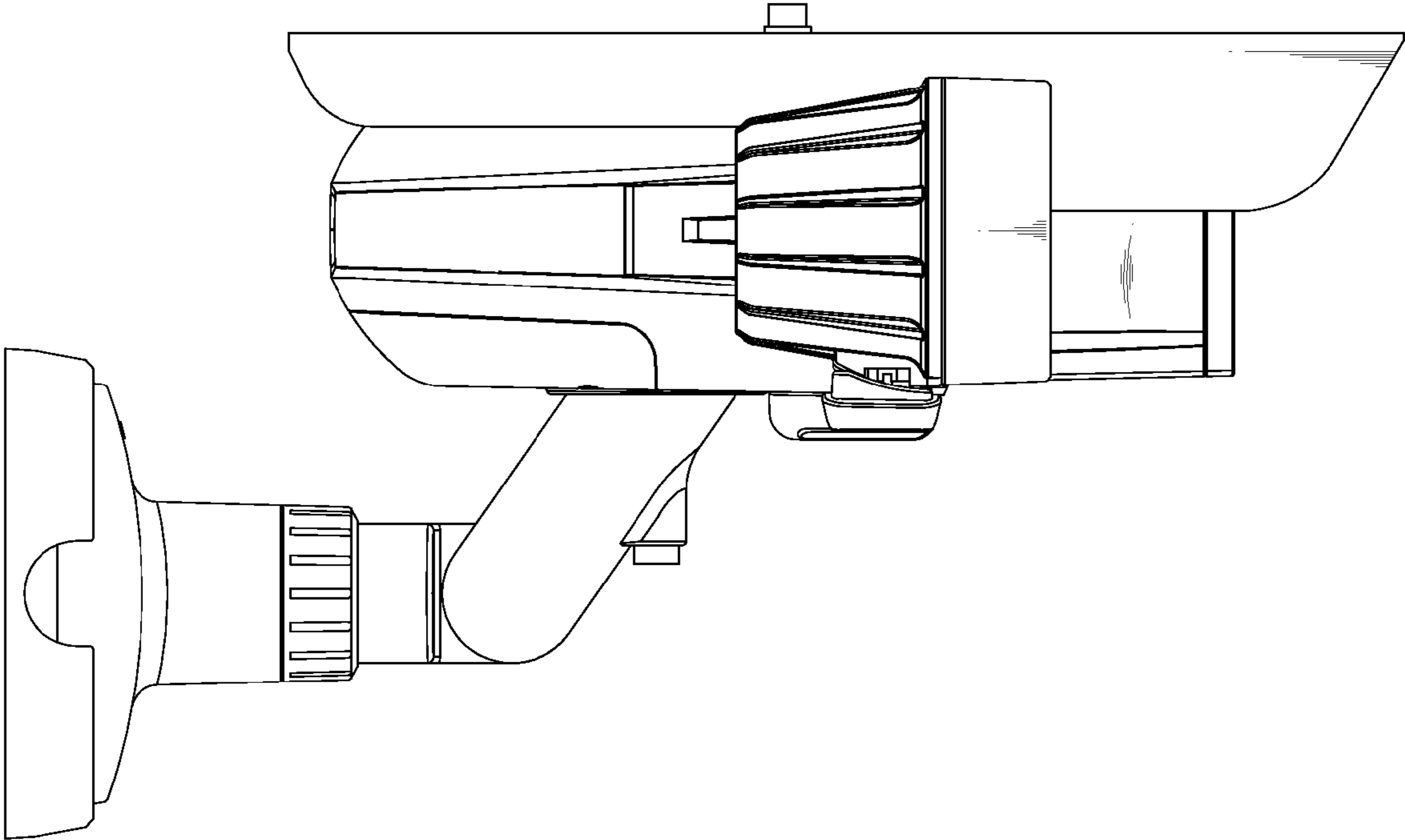


FIG. 5

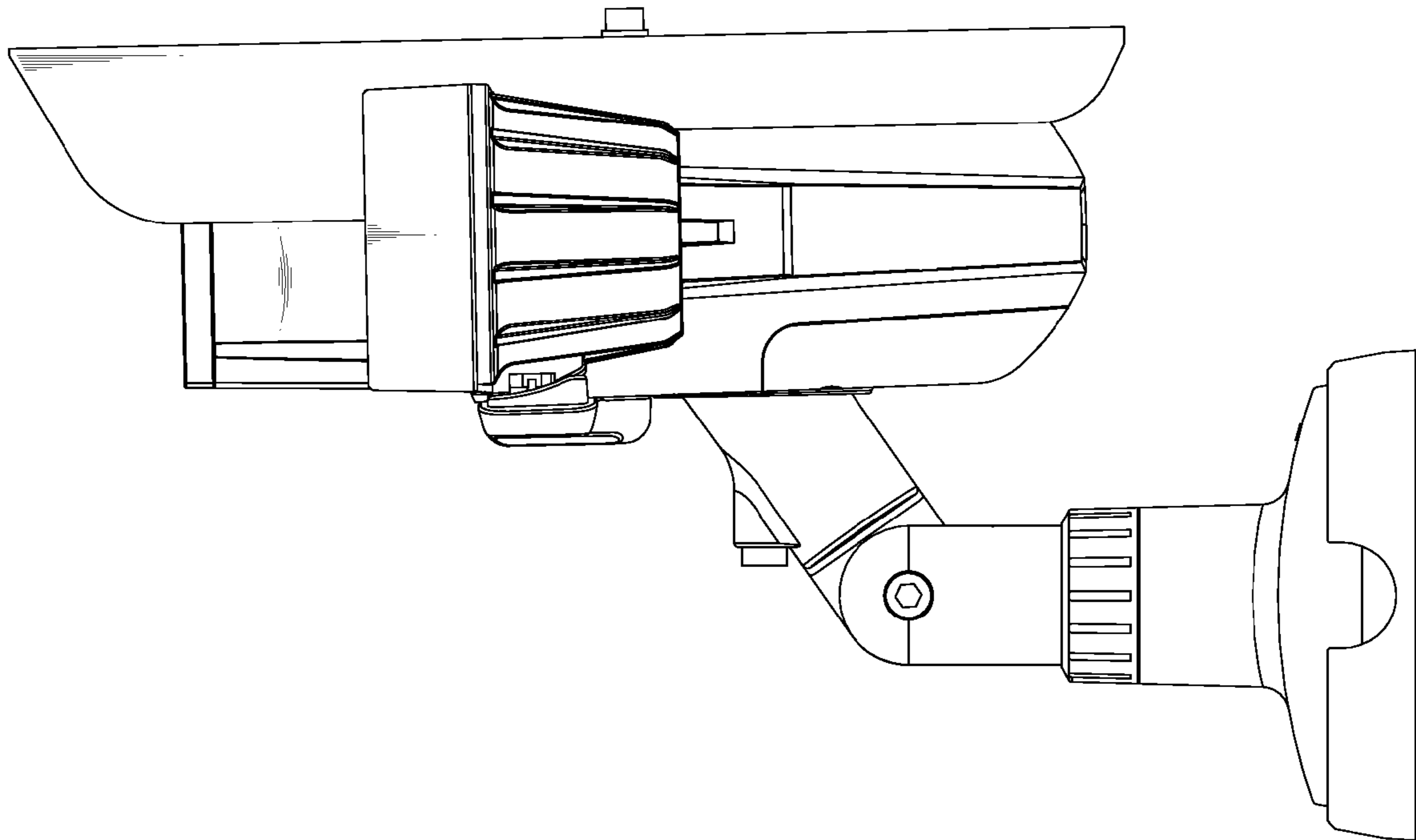


FIG. 6

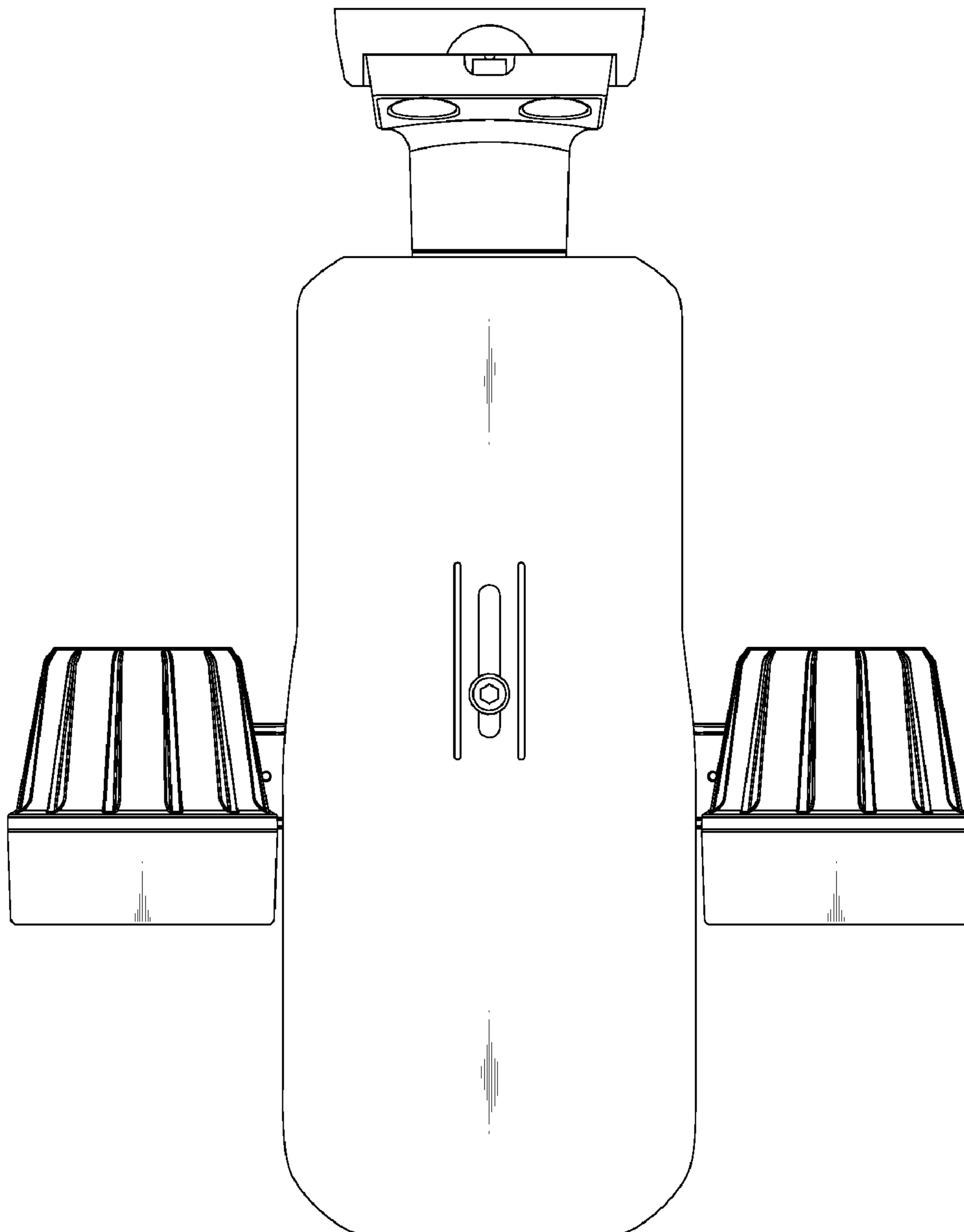


FIG. 7

