



US00D637637S

(12) **United States Design Patent**
Daiber et al.

(10) **Patent No.:** **US D637,637 S**

(45) **Date of Patent:** **** May 10, 2011**

(54) **TUNABLE LASER ASSEMBLY**

(75) Inventors: **Andrew John Daiber**, Emerald Hills, CA (US); **Yinan Wu**, Westborough, MA (US); **Paul Ludwig**, Livermore, CA (US)

(73) Assignee: **Emcore Corporation**, Albuquerque, NM (US)

(**) Term: **14 Years**

(21) Appl. No.: **29/363,600**

(22) Filed: **Jun. 11, 2010**

(51) **LOC (9) Cl.** **15-09**

(52) **U.S. Cl.** **D15/199**

(58) **Field of Classification Search** D13/123, D13/133, 147; D15/138, 144, 144.1, 144.2, D15/199; D23/213; 33/286; 118/50.1; 156/272.8; 219/121.63, 121.64, 121.78; 372/10, 55; 483/149; 606/9; 700/258

See application file for complete search history.

(56) **References Cited**

U.S. PATENT DOCUMENTS

D269,681	S *	7/1983	Morser et al.	D15/199
5,354,964	A *	10/1994	Kyoren et al.	219/121.84
D405,570	S *	2/1999	Broecking	D32/32
D558,672	S *	1/2008	Easley	D13/133
7,505,504	B2 *	3/2009	Sakai et al.	372/55

D603,431	S *	11/2009	Masauji	D15/122
D609,258	S *	2/2010	Mortimer	D15/199
2002/0079299	A1 *	6/2002	Shikoda et al.	219/121.78
2002/0097756	A1 *	7/2002	Nettleton et al.	372/10
2003/0173344	A1 *	9/2003	Hermann	219/121.64
2004/0026388	A1 *	2/2004	Stauffer et al.	219/121.78
2004/0078115	A1 *	4/2004	Vila Papell	700/258
2005/0247681	A1 *	11/2005	Boillot et al.	219/121.63
2007/0000883	A1 *	1/2007	Jung	219/121.63
2007/0199929	A1 *	8/2007	Rippl et al.	219/121.78
2007/0204473	A1 *	9/2007	Dillon	33/286
2007/0248126	A1 *	10/2007	Liu et al.	372/10
2009/0095214	A1 *	4/2009	Whitfield	118/50.1
2010/0094265	A1 *	4/2010	Rastegar et al.	606/9

* cited by examiner

Primary Examiner — Patricia Palasik

(57) **CLAIM**

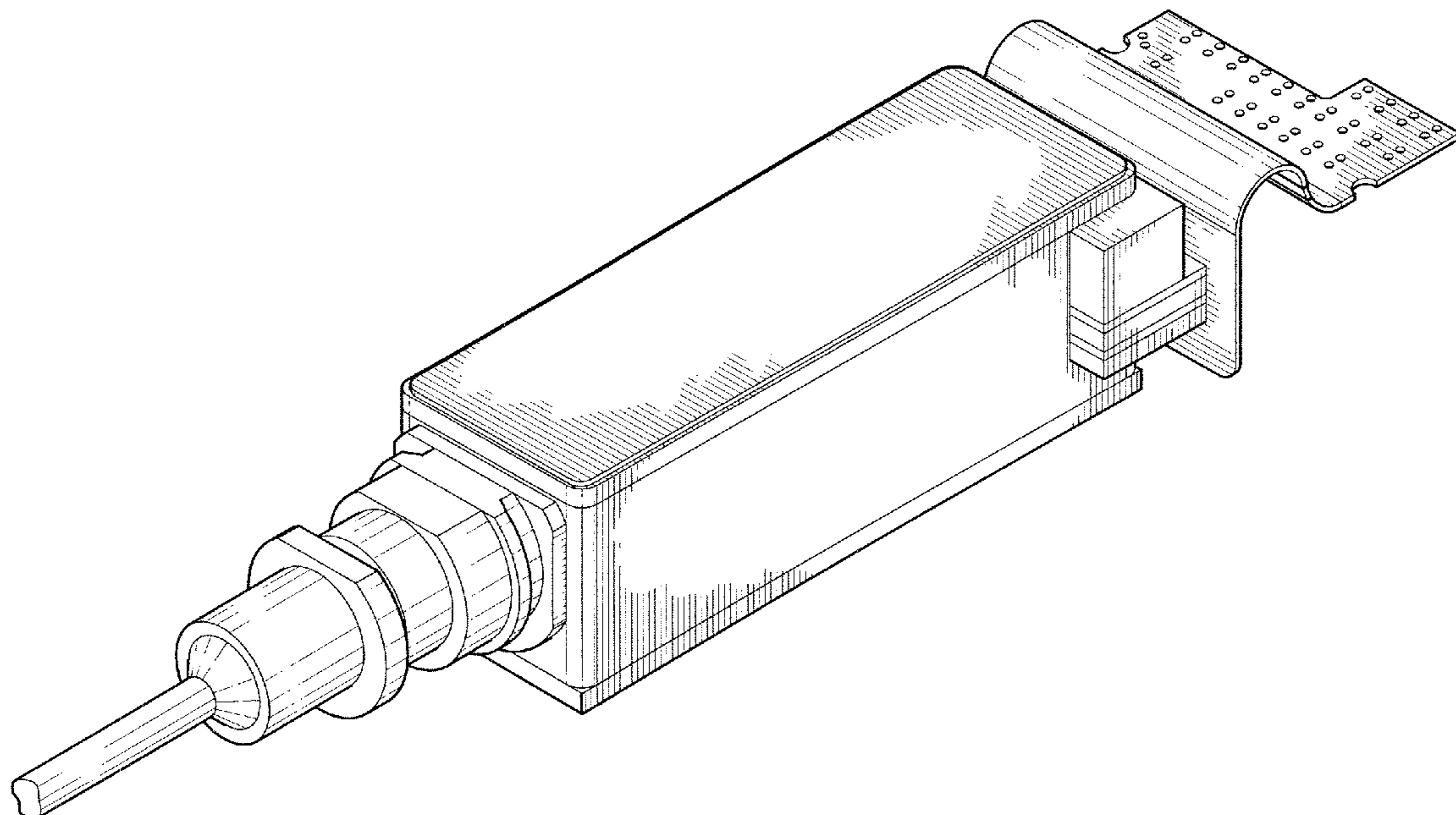
The ornamental design for a tunable laser assembly, as shown and described.

DESCRIPTION

FIG. 1 is a top perspective view of the tunable laser assembly, FIG. 2 is a right side elevation view thereof; FIG. 3 is a left side elevation view thereof; FIG. 4 is a top elevation view thereof; FIG. 5 is a bottom elevation view thereof; FIG. 6 is a front elevation view thereof; and, FIG. 7 is a rear elevation view thereof.

The broken lines illustrated in the Figures form no part of the claimed design.

1 Claim, 4 Drawing Sheets



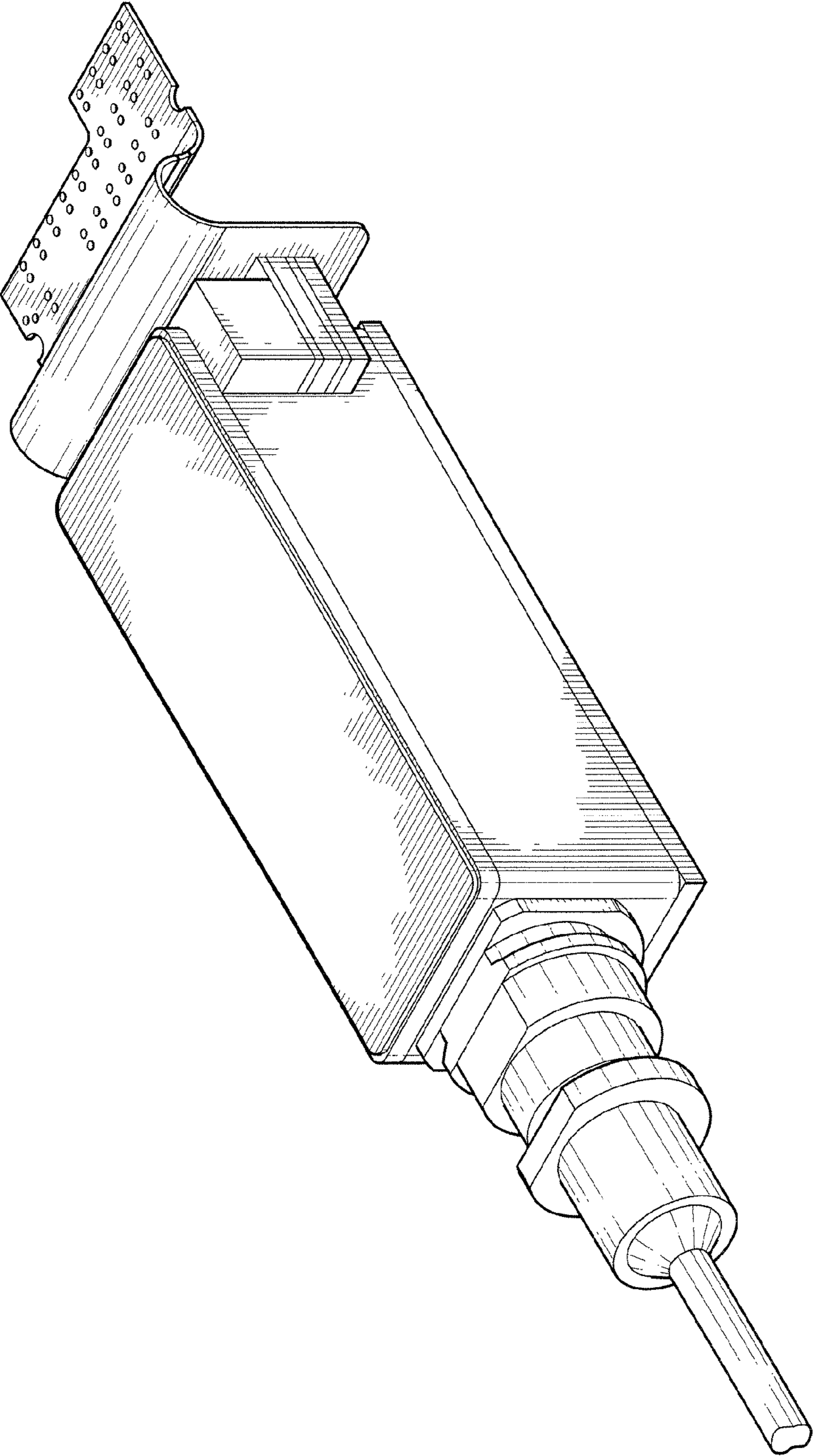


FIG. 1

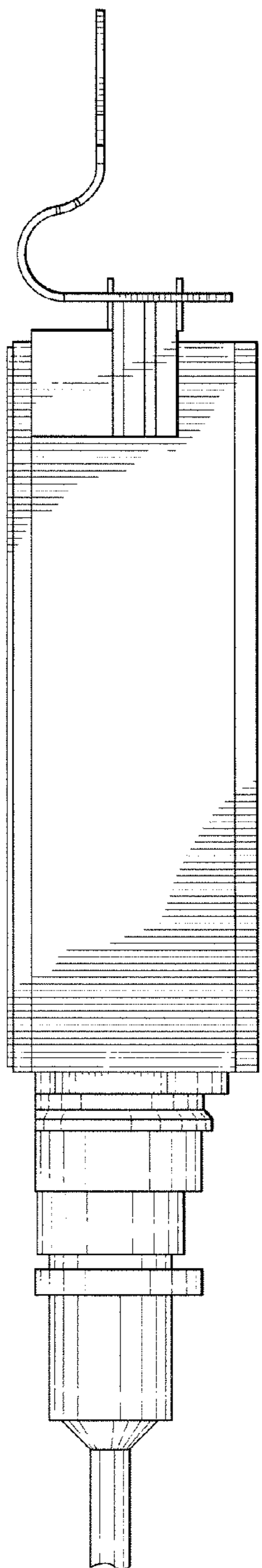


FIG. 2

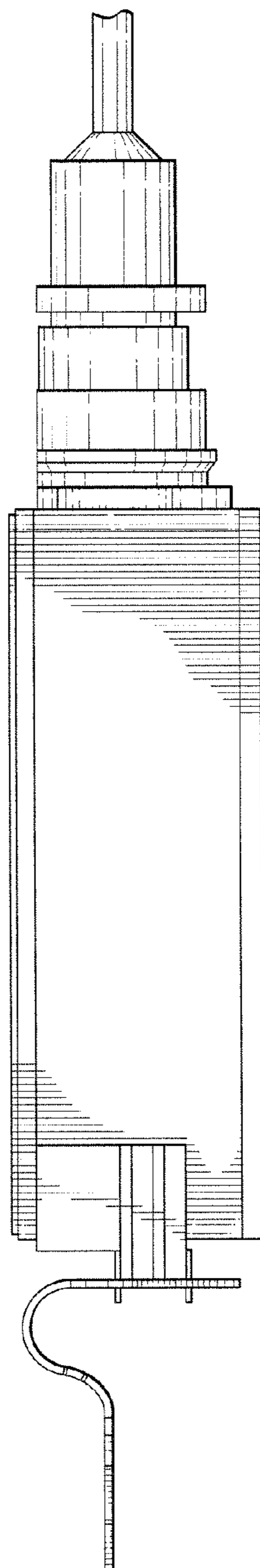


FIG. 3



FIG. 4

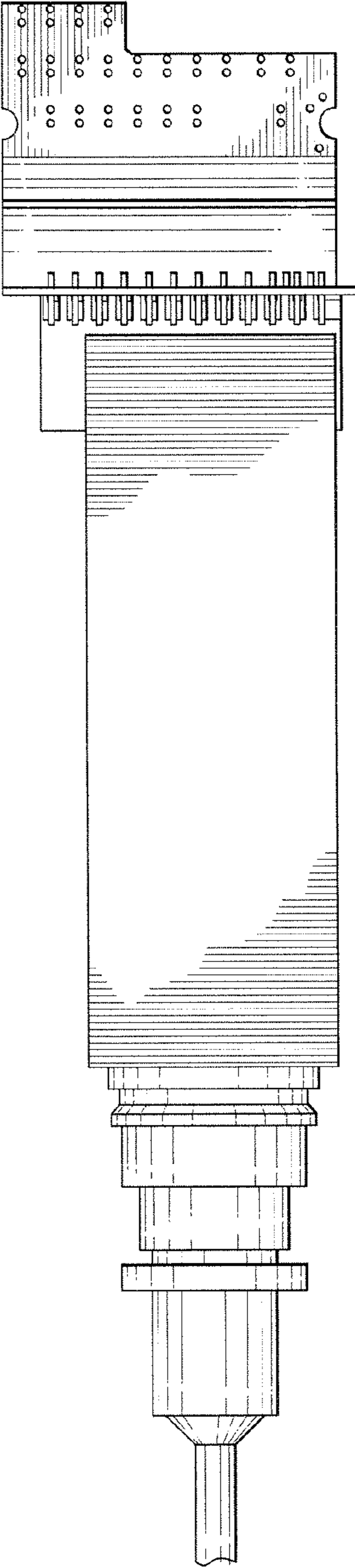


FIG. 5

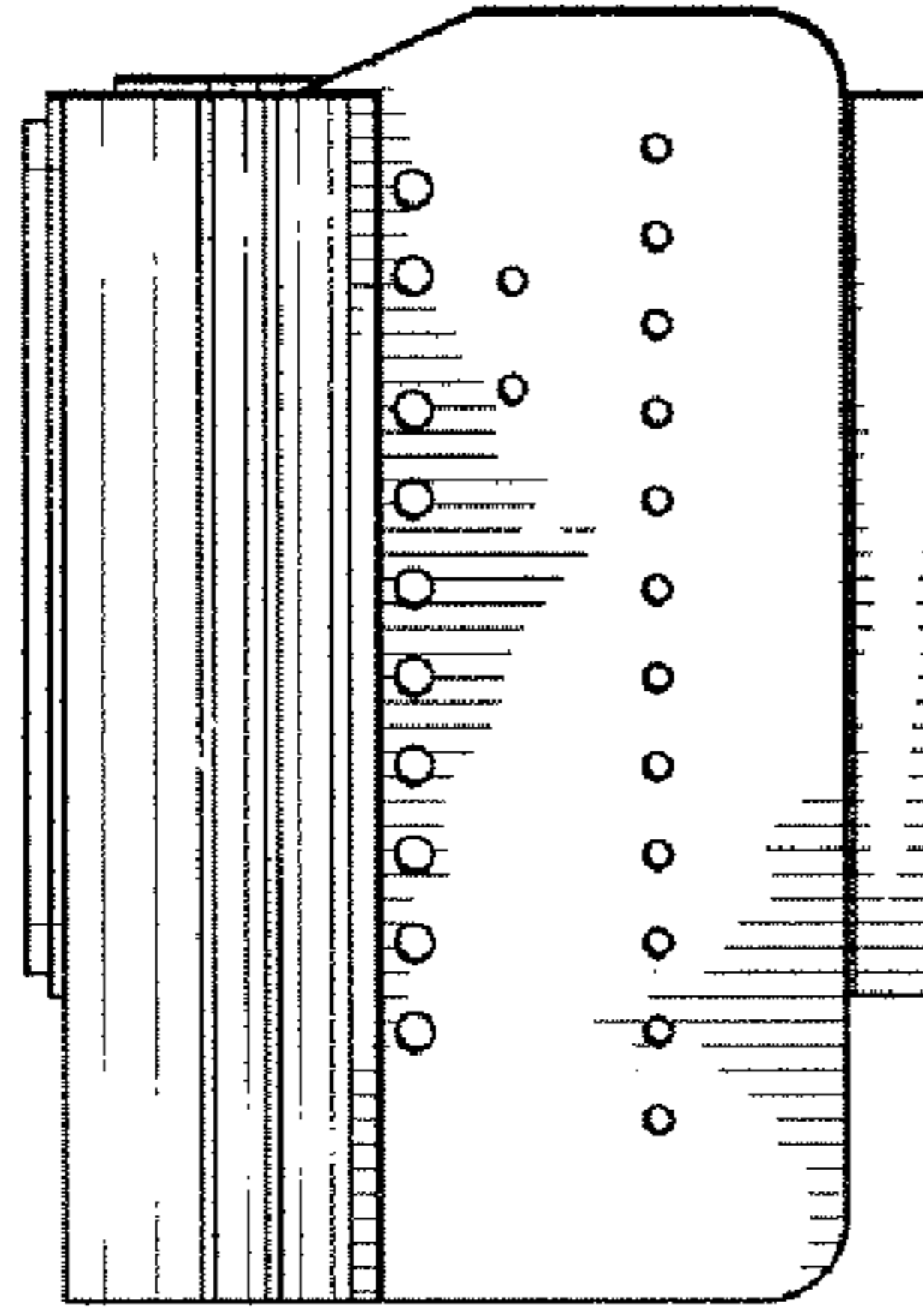


FIG. 7

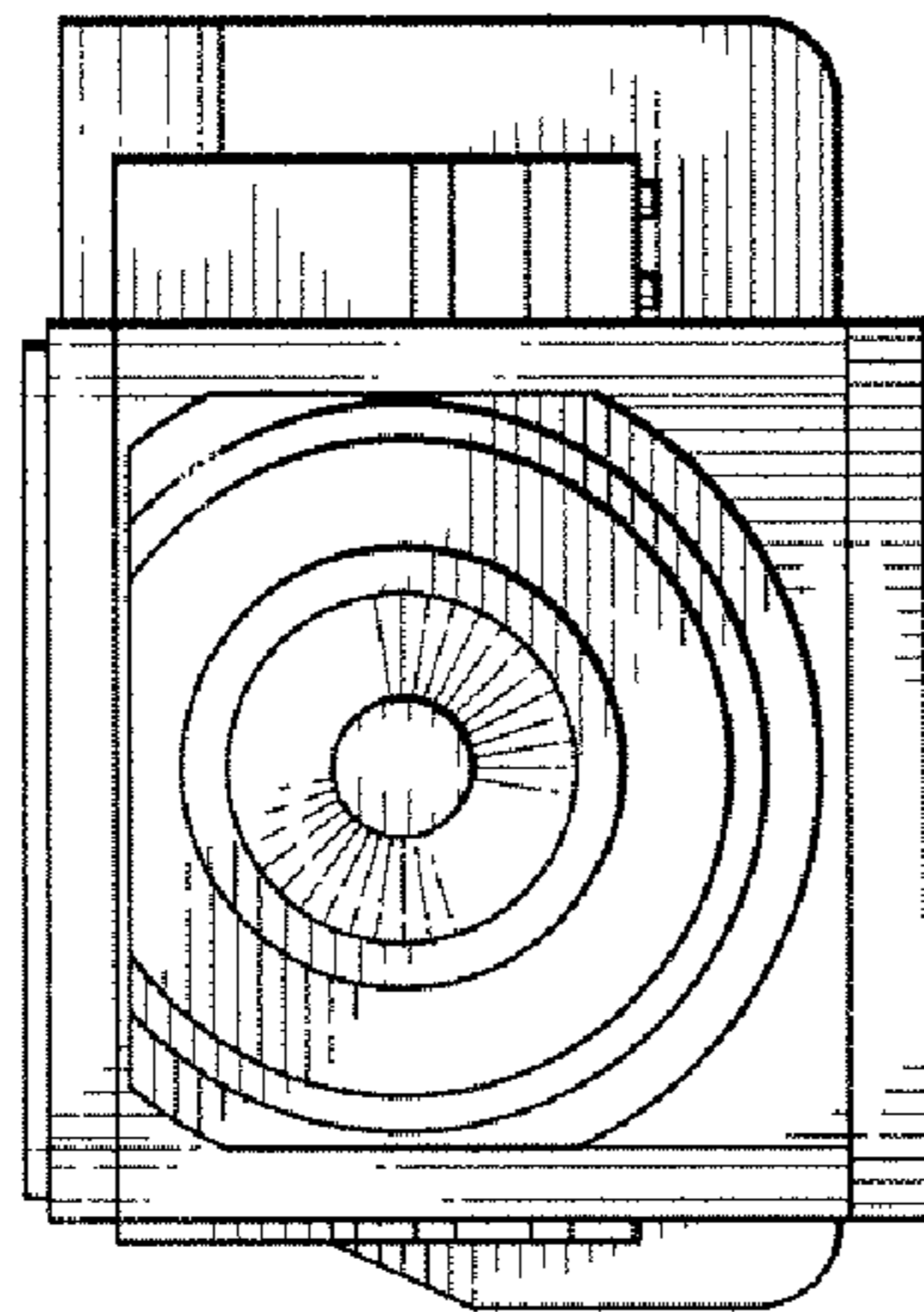


FIG. 6