



US00D637636S

(12) **United States Design Patent**
Liao

(10) **Patent No.:** **US D637,636 S**

(45) **Date of Patent:** **** May 10, 2011**

(54) **OIL COLLECTOR**

(76) Inventor: **Ying-Chieh Liao**, Taichung (TW)

(**) Term: **14 Years**

(21) Appl. No.: **29/357,995**

(22) Filed: **Mar. 19, 2010**

(51) **LOC (9) Cl.** **15-99**

(52) **U.S. Cl.** **D15/150**

(58) **Field of Classification Search** D15/150-152;
D24/123; 4/450; 184/1.5, 29, 36, 42, 45.1,
184/55.1, 105.1, 106; 222/254, 256, 258,
222/359, 385, 389, 628; 280/32.6, 79.1 A;
417/417

See application file for complete search history.

D370,227 S * 5/1996 Mosley D15/150
D399,224 S * 10/1998 Maynard D15/150
D423,531 S * 4/2000 Becker D15/150
D457,539 S * 5/2002 Rothlisberger D15/150
D468,163 S * 1/2003 Blake et al. D7/601
D478,920 S * 8/2003 Huckabee D15/150
D555,780 S * 11/2007 Wanninger D23/393
D557,413 S * 12/2007 Buermann D24/123
D627,062 S * 11/2010 Tanguay D24/123
2003/0024768 A1* 2/2003 Jones 184/1.5

* cited by examiner

Primary Examiner — Patricia Palasik

(57) **CLAIM**

I claim the ornamental design for an oil collector, as shown and described.

(56) **References Cited**

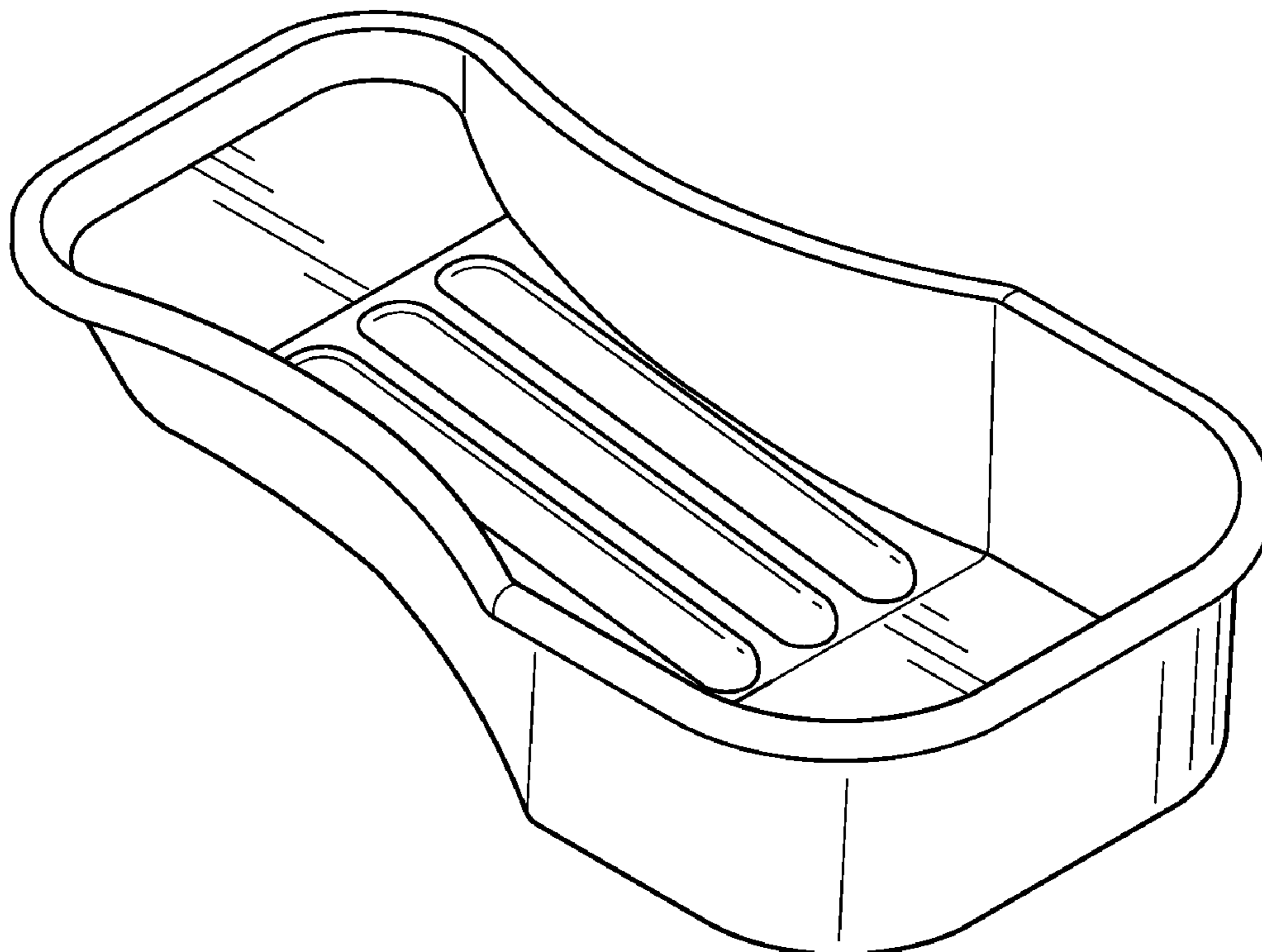
U.S. PATENT DOCUMENTS

4,054,184 A * 10/1977 Marcinko 184/1.5
D264,180 S * 5/1982 Bartz D15/152
4,632,268 A * 12/1986 Melzi et al. 220/573
D295,313 S * 4/1988 Barnett D23/373
4,938,184 A * 7/1990 Martin et al. 123/195 C
D334,536 S * 4/1993 Long et al. D9/425
D340,250 S * 10/1993 Lux, Jr. D15/150
D346,741 S * 5/1994 McIntyre D15/150
D359,293 S * 6/1995 Graham et al. D15/150

DESCRIPTION

FIG. 1 is a perspective view of an oil collector;
FIG. 2 is a front view thereof;
FIG. 3 is a rear view thereof;
FIG. 4 is a left view thereof;
FIG. 5 is a right view thereof;
FIG. 6 is a top plan view thereof; and,
FIG. 7 is a bottom plan view thereof.

1 Claim, 4 Drawing Sheets



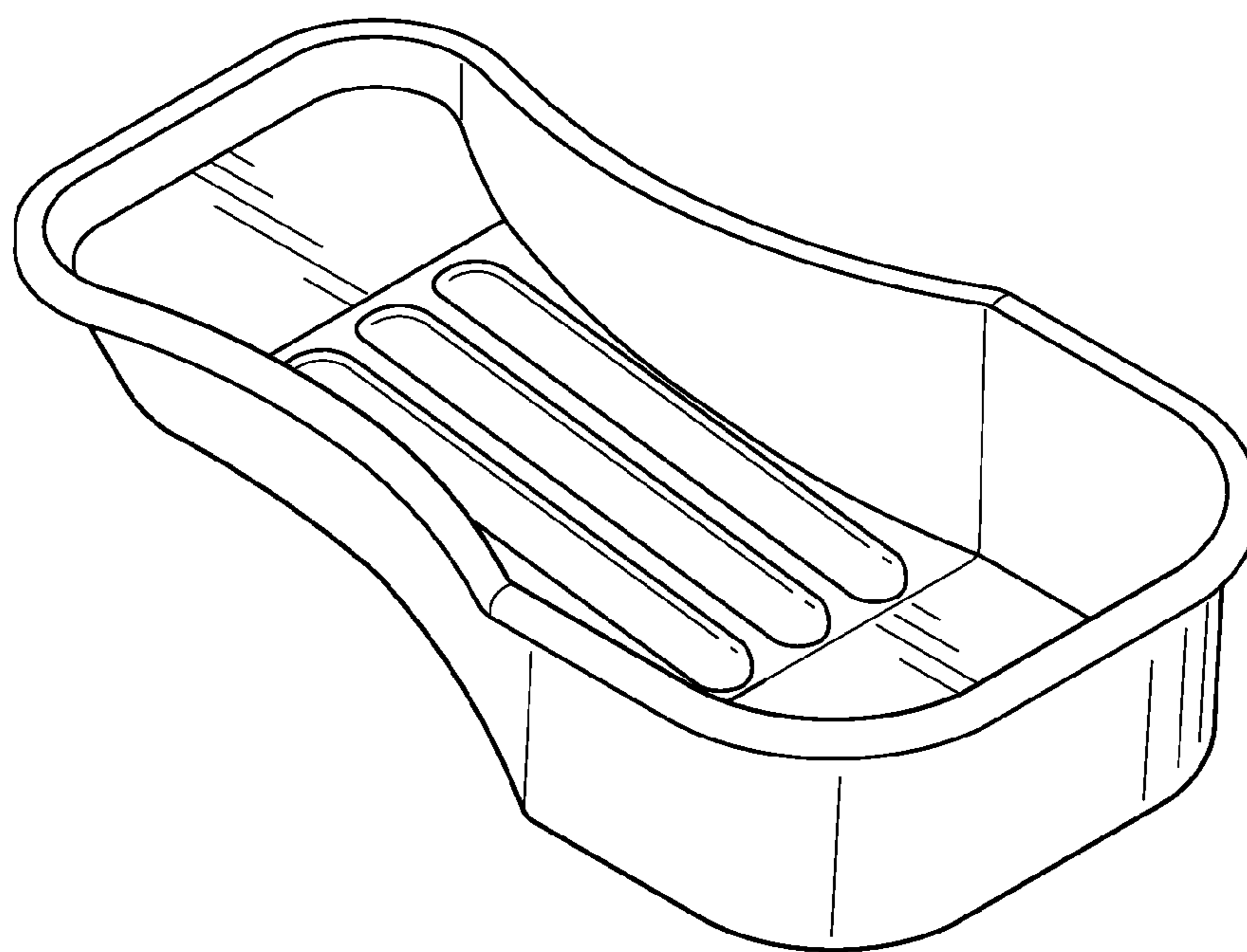


FIG. 1

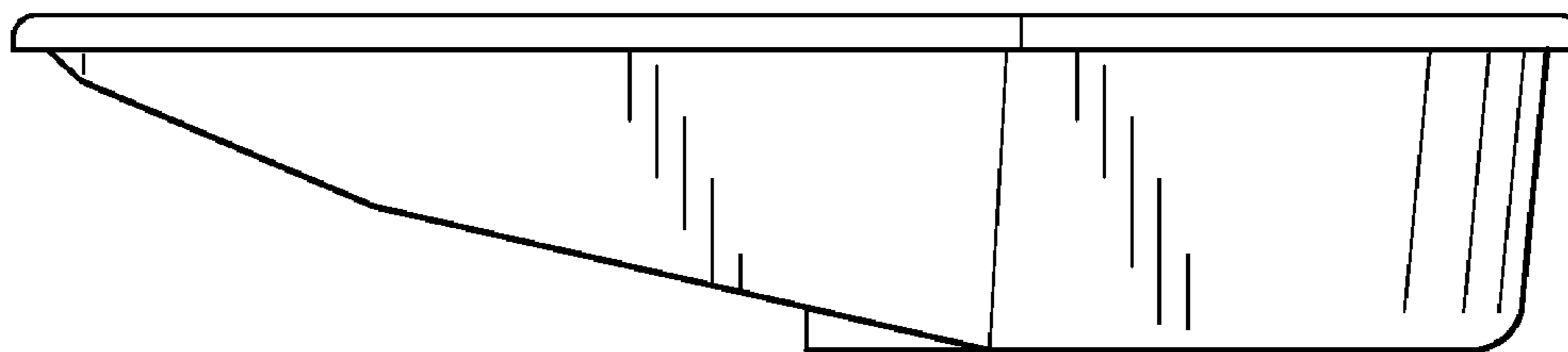


FIG. 2

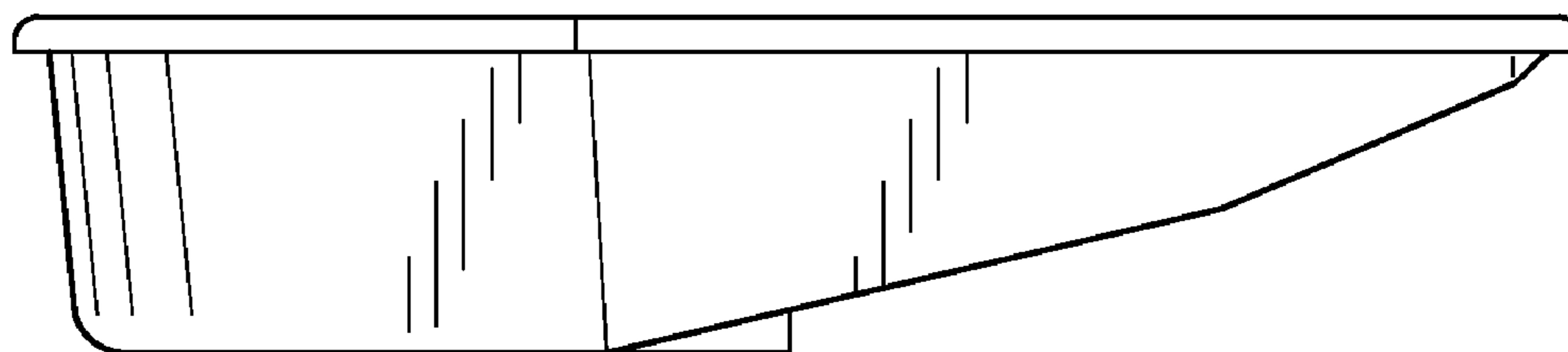


FIG. 3

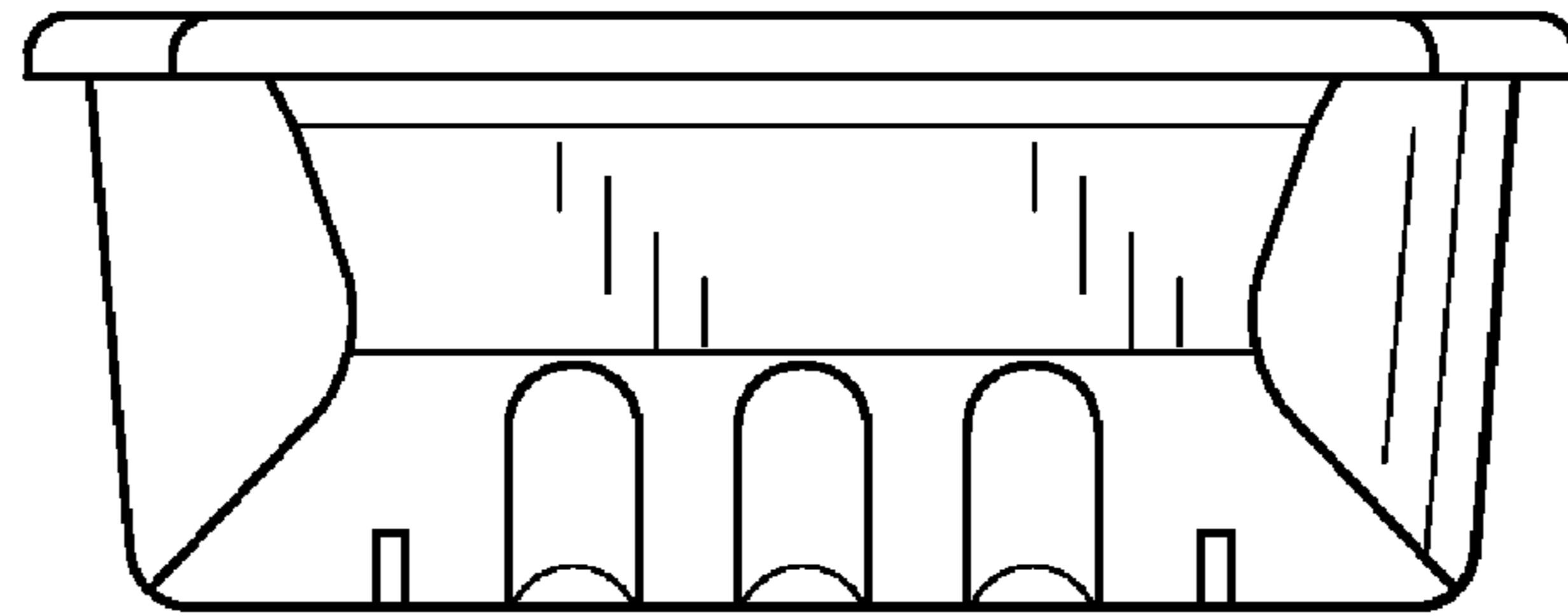


FIG. 4

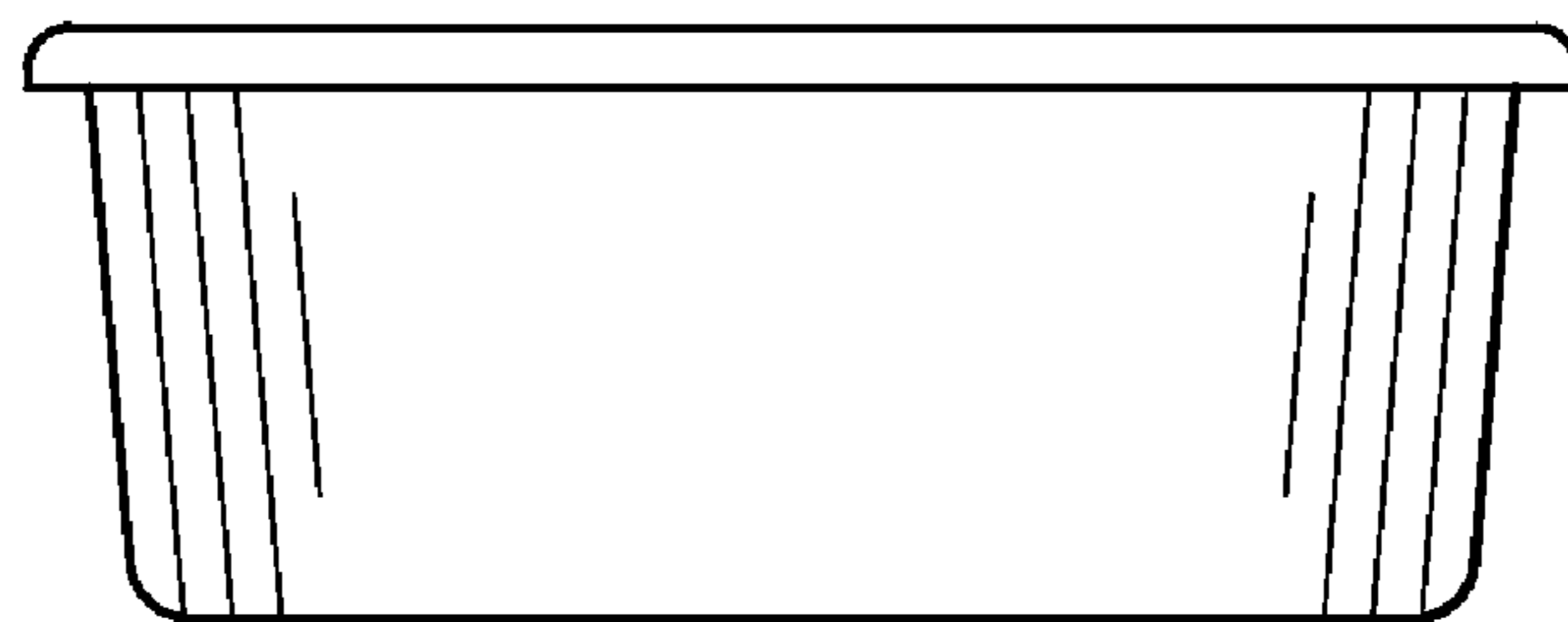


FIG. 5

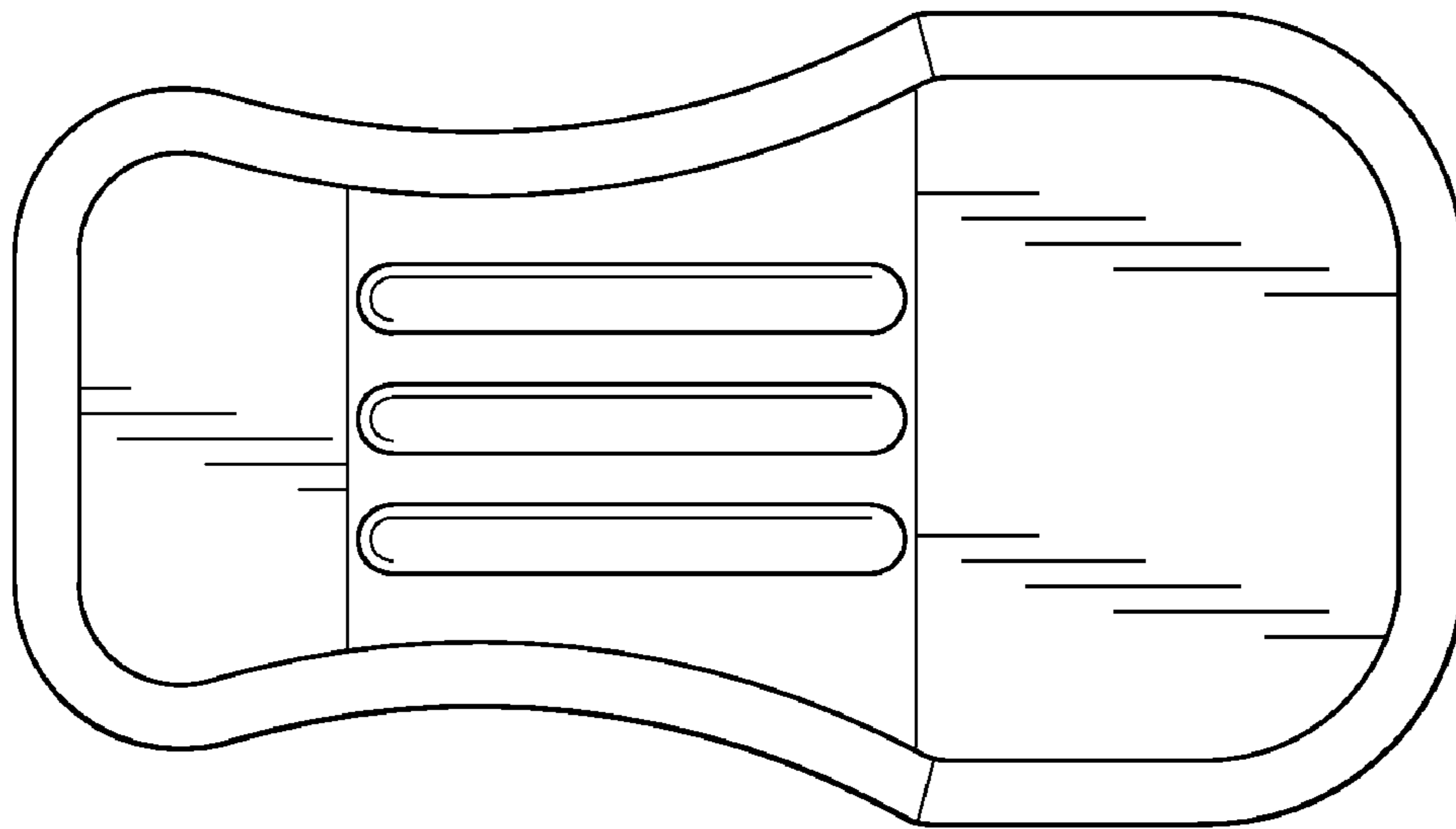


FIG. 6

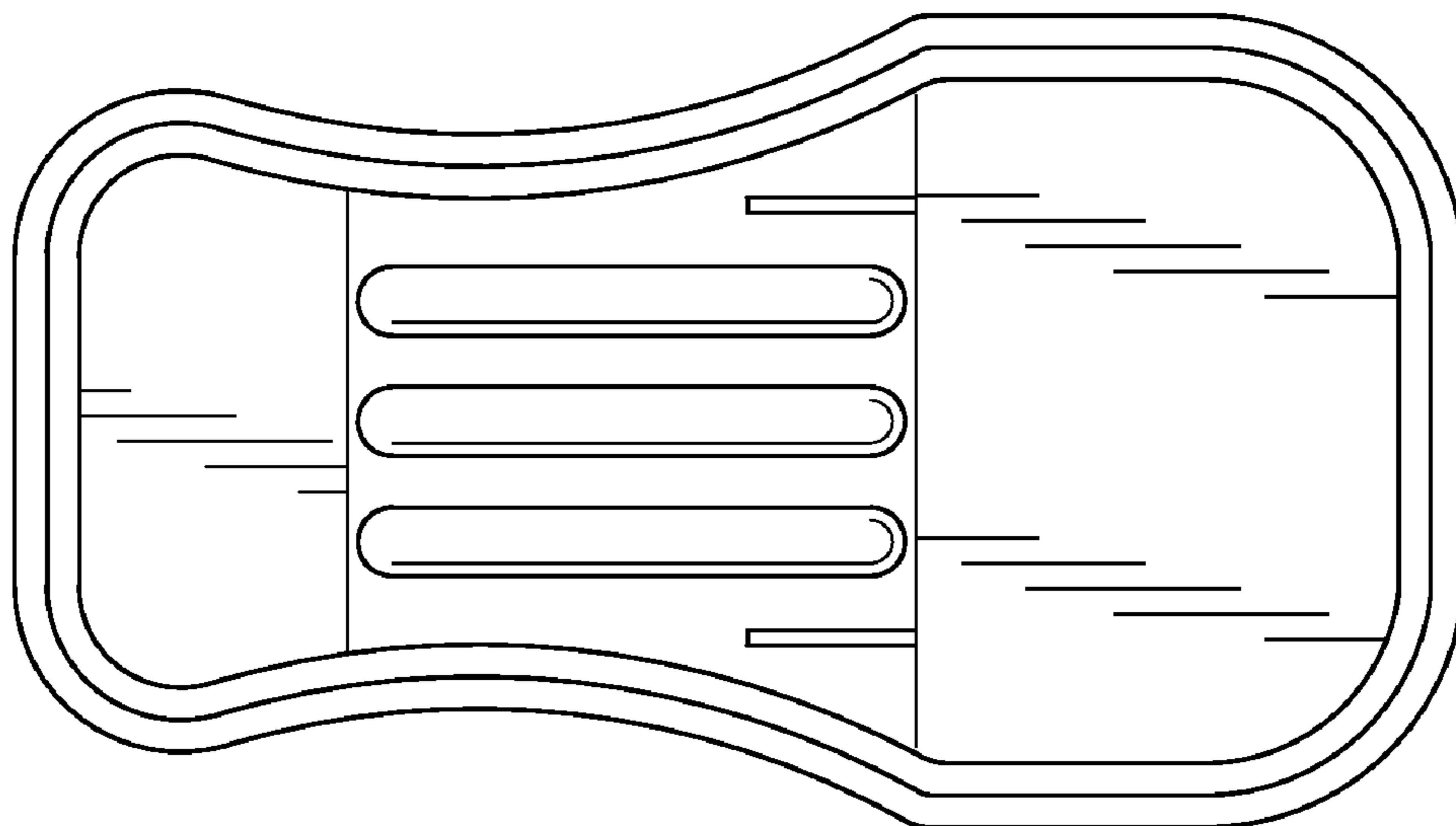


FIG. 7