



US00D637635S

(12) **United States Design Patent**
Chen

(10) **Patent No.:** **US D637,635 S**

(45) **Date of Patent:** **** May 10, 2011**

(54) **TRIGGER GRIP**

(75) Inventor: **Chi-Yuan Chen**, Taipei (TW)

(73) Assignees: **Yasuharu Nagaki**, Osaka (JP); **James Ke Liu**, Ontario, CA (US)

(**) Term: **14 Years**

(21) Appl. No.: **29/371,237**

(22) Filed: **Dec. 10, 2010**

(51) **LOC (9) Cl.** **15-09**

(52) **U.S. Cl.** **D15/138; D15/199**

(58) **Field of Classification Search** D3/207;
D7/387, 213; D8/18, 70, 80, 94; D9/434,
D9/438, 445, 447, 448, 455, 456; D15/138,
D15/199; D23/226; D24/108, 112, 127,
D24/145; 74/490.01, 490.02, 490.03, 490.05;
219/124.34, 639; 222/320, 391; 220/268,
220/269, 915; 294/30, 99.1, 902; 318/560,
318/568.13; 606/1, 130, 180; 700/99, 150

See application file for complete search history.

(56) **References Cited**

U.S. PATENT DOCUMENTS

D269,681	S	*	7/1983	Morser et al.	D15/199
5,822,900	A	*	10/1998	Armstrong	40/473
5,857,723	A	*	1/1999	Mathieu et al.	294/19.1
D449,057	S	*	10/2001	Selic et al.	D15/199
D569,886	S	*	5/2008	Larsson et al.	D15/199
D607,477	S	*	1/2010	Suarez et al.	D15/199

2005/0142515	A1	*	6/2005	Levy et al.	433/114
2005/0188587	A1	*	9/2005	Danas	42/72
2010/0006674	A1	*	1/2010	Stenborg	239/528
2010/0187842	A1	*	7/2010	Buzby et al.	294/19.1
2010/0191255	A1	*	7/2010	Crainich et al.	606/142

* cited by examiner

Primary Examiner — Patricia Palasik

(57) **CLAIM**

The ornamental design for a trigger grip, as shown and described.

DESCRIPTION

FIG. 1 is a perspective view of the trigger grip of this invention;

FIG. 2 is a front view thereof;

FIG. 3 is a rear view thereof;

FIG. 4 is a left view thereof;

FIG. 5 is a right view thereof;

FIG. 6 is a top view thereof;

FIG. 7 is a bottom view thereof;

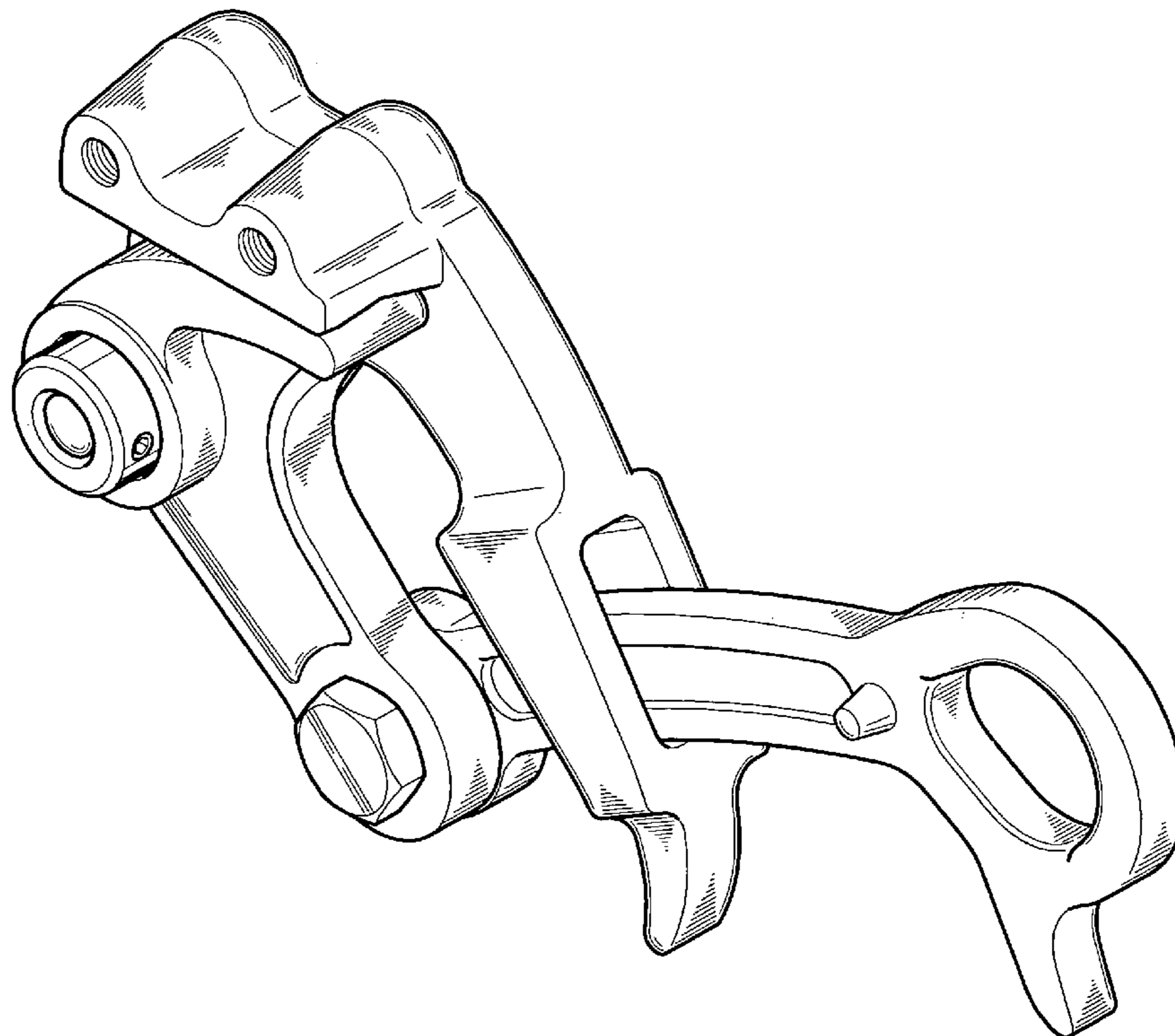
FIG. 8 is a perspective view of the trigger grip of this invention illustrating the trigger grip ready for gripping;

FIG. 9 is a front view of the trigger grip of this invention with a thrust plate in state of gripping wire; and,

FIG. 10 is a front view of the trigger grip with another thrust plate in state of gripping wire.

The broken lines are for illustrative purpose only and form no part of the claimed design.

1 Claim, 7 Drawing Sheets



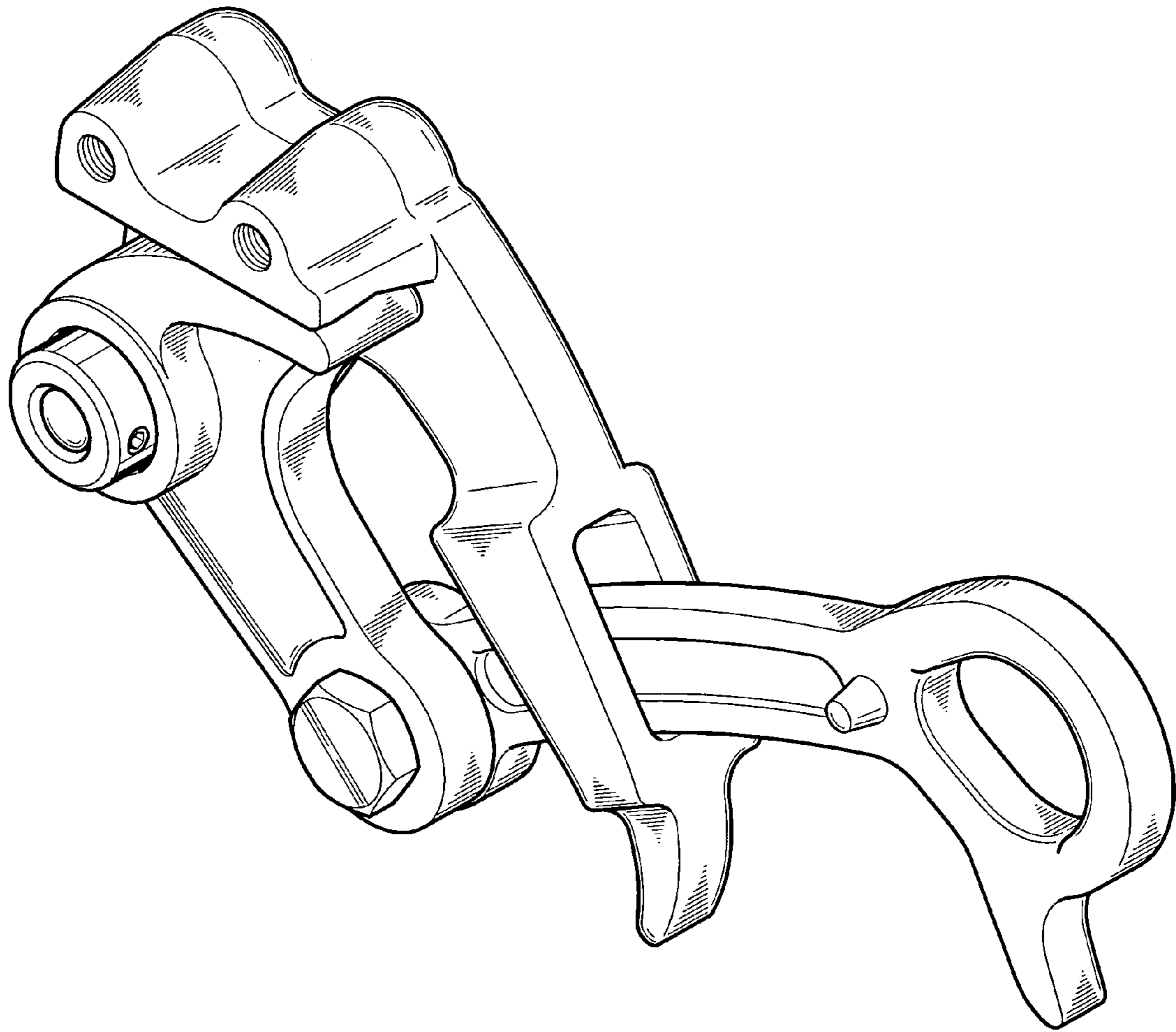


FIG.1

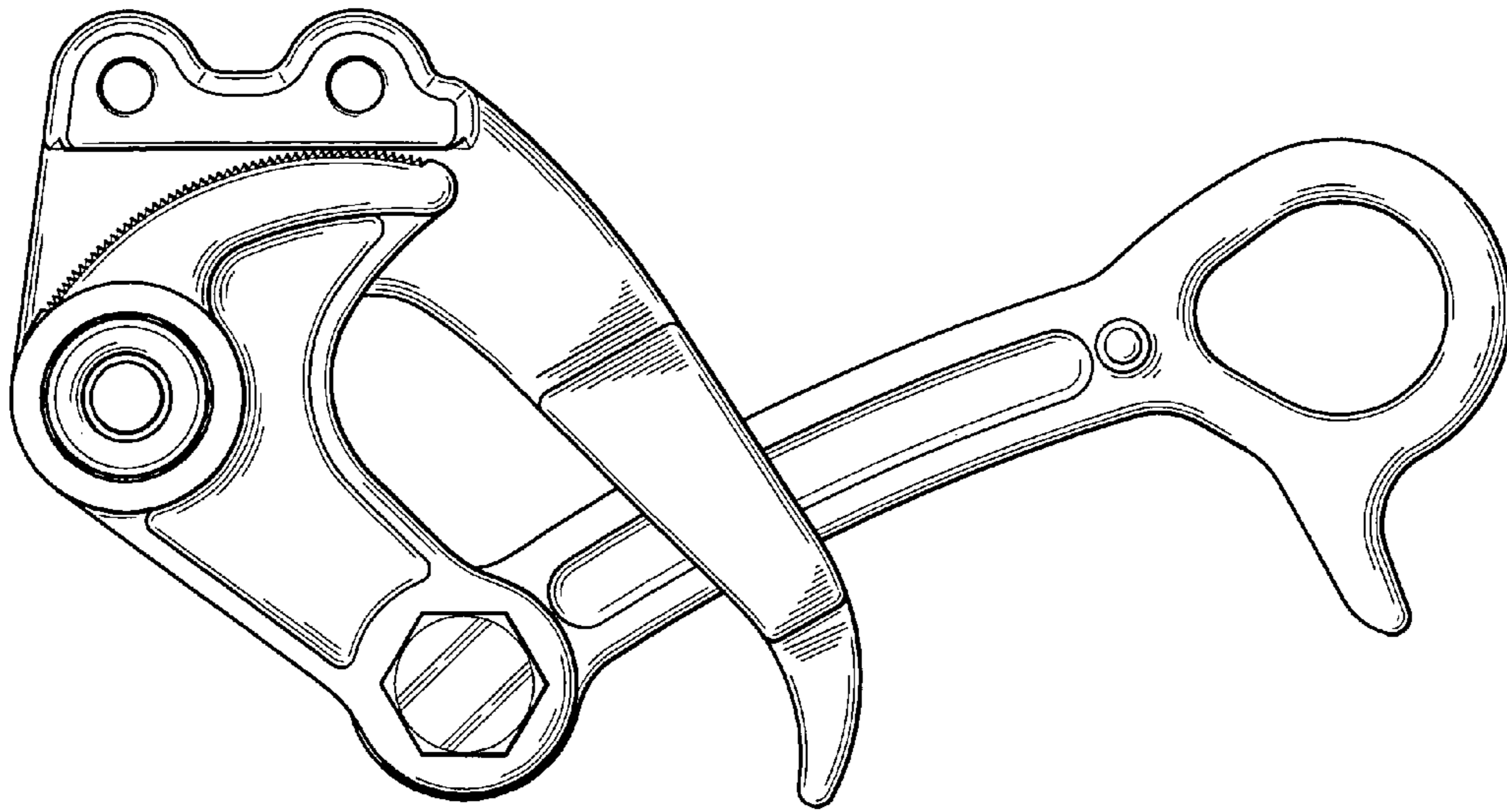


FIG. 2

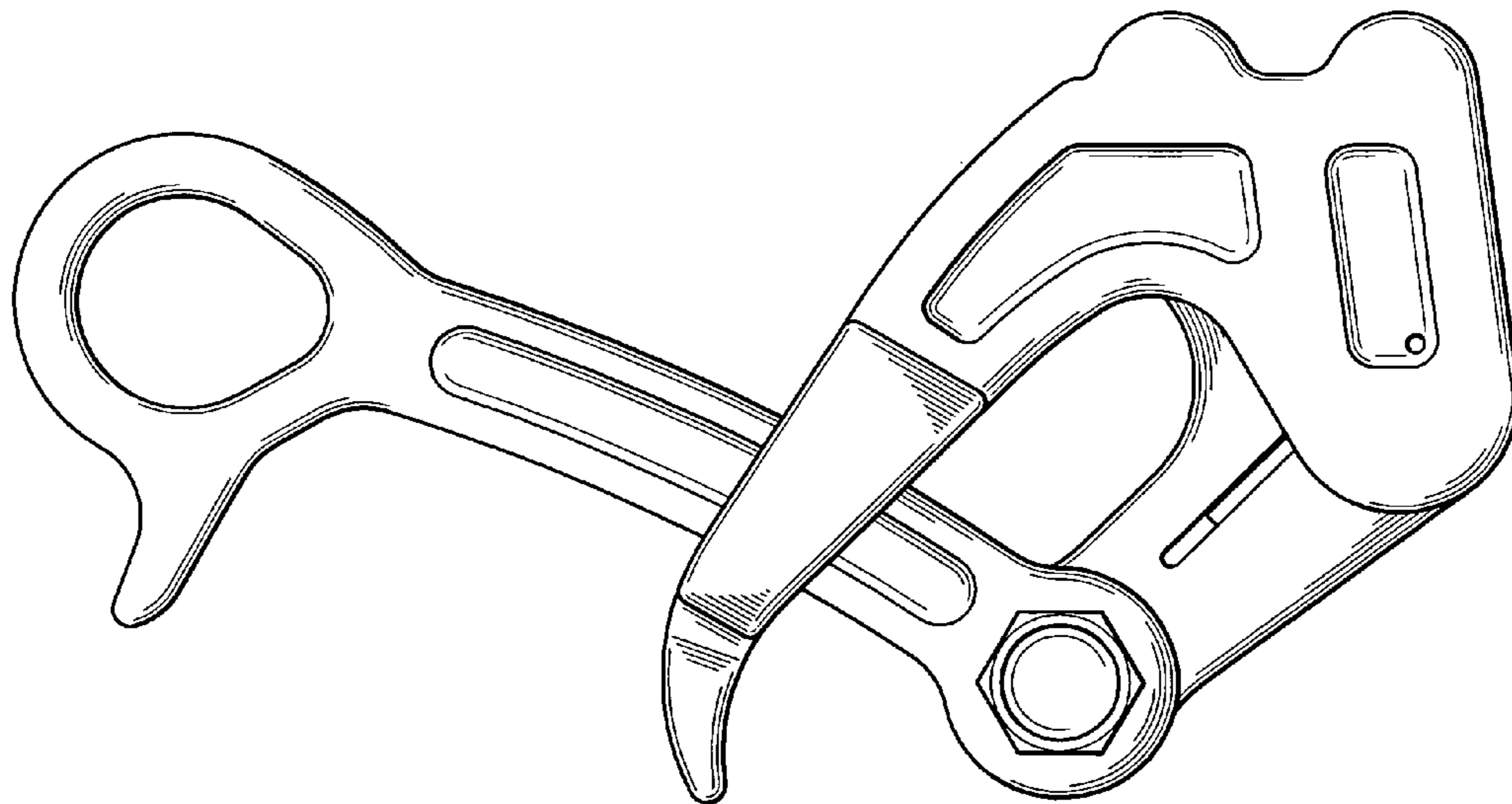


FIG. 3

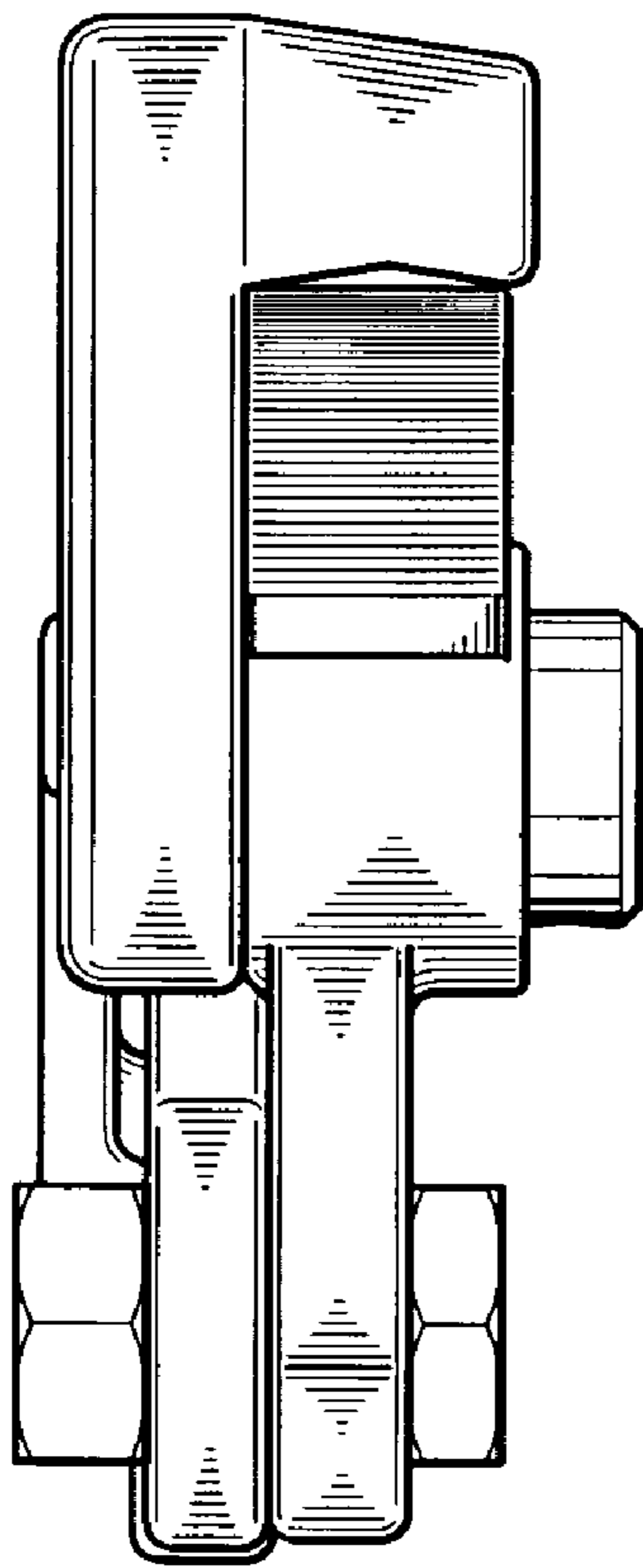


FIG. 4

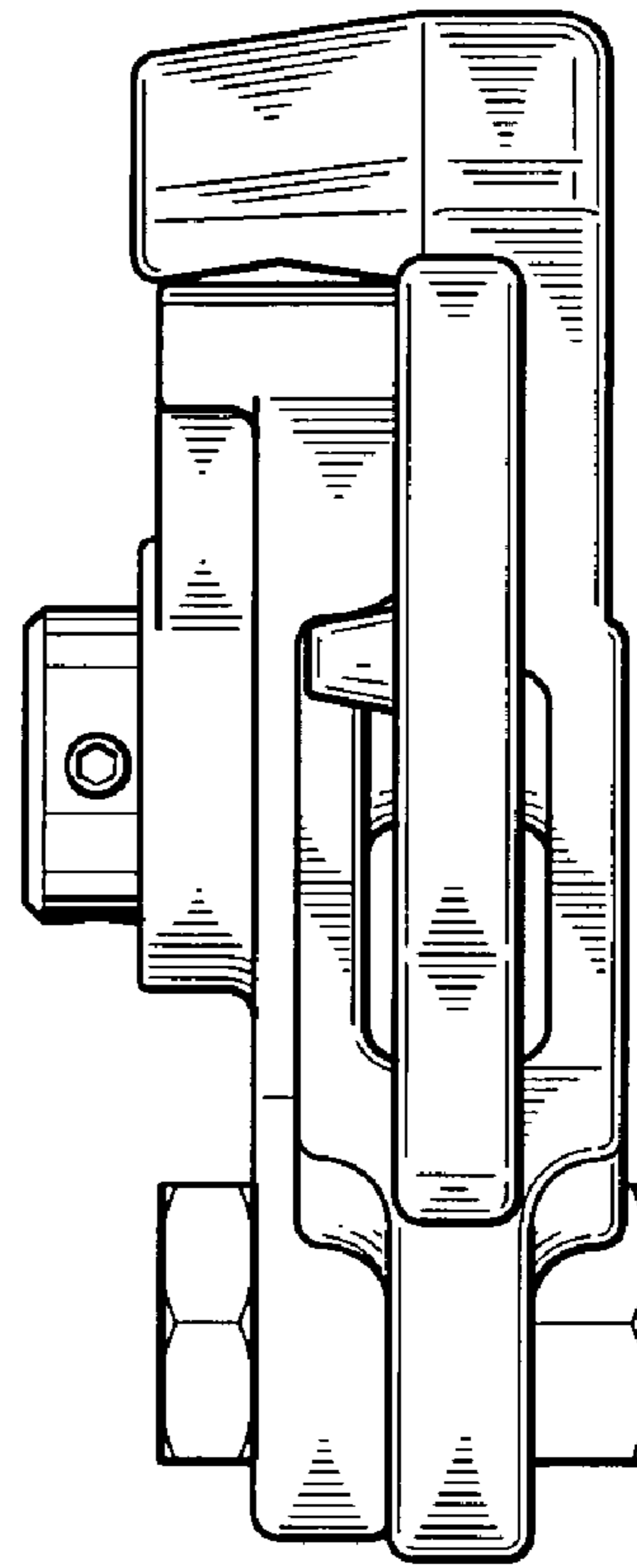


FIG. 5

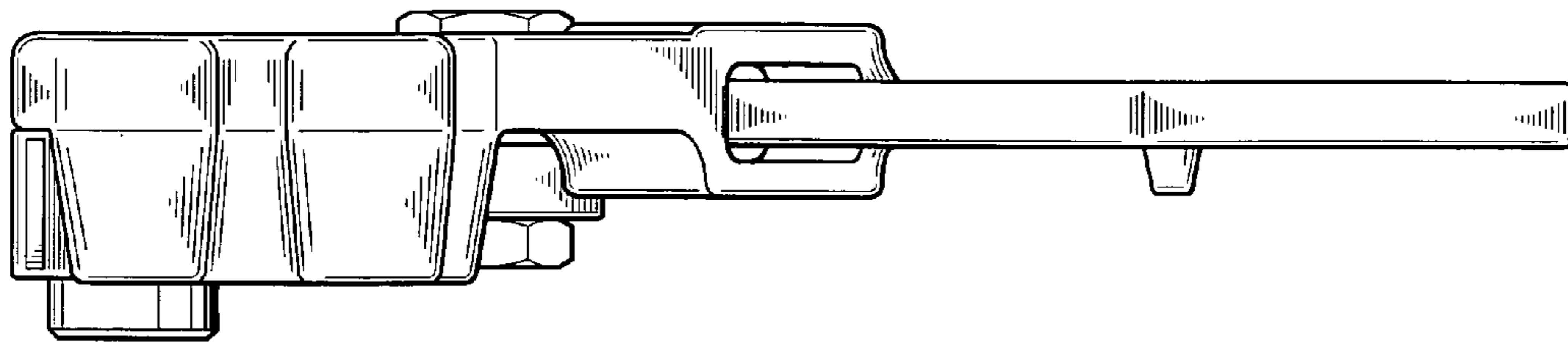


FIG.6

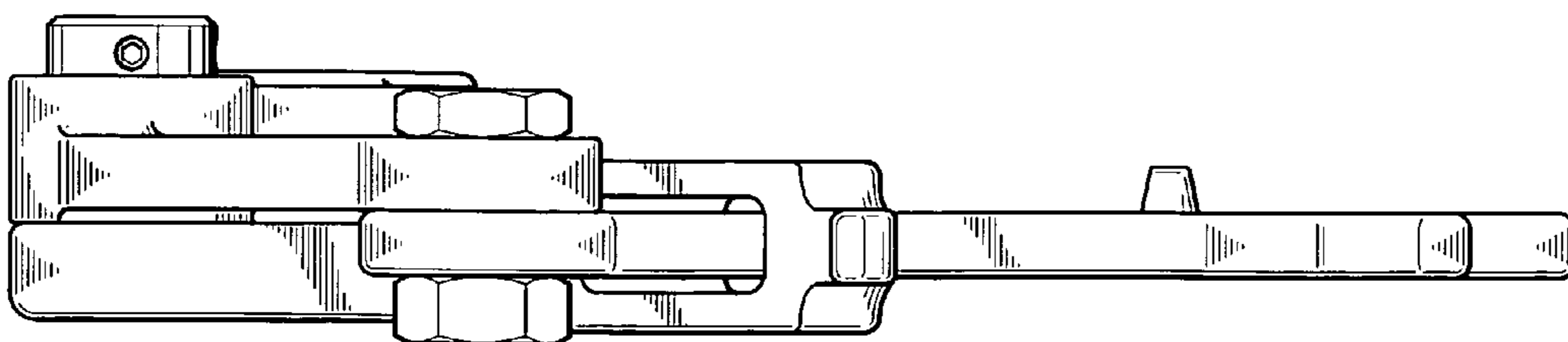


FIG.7

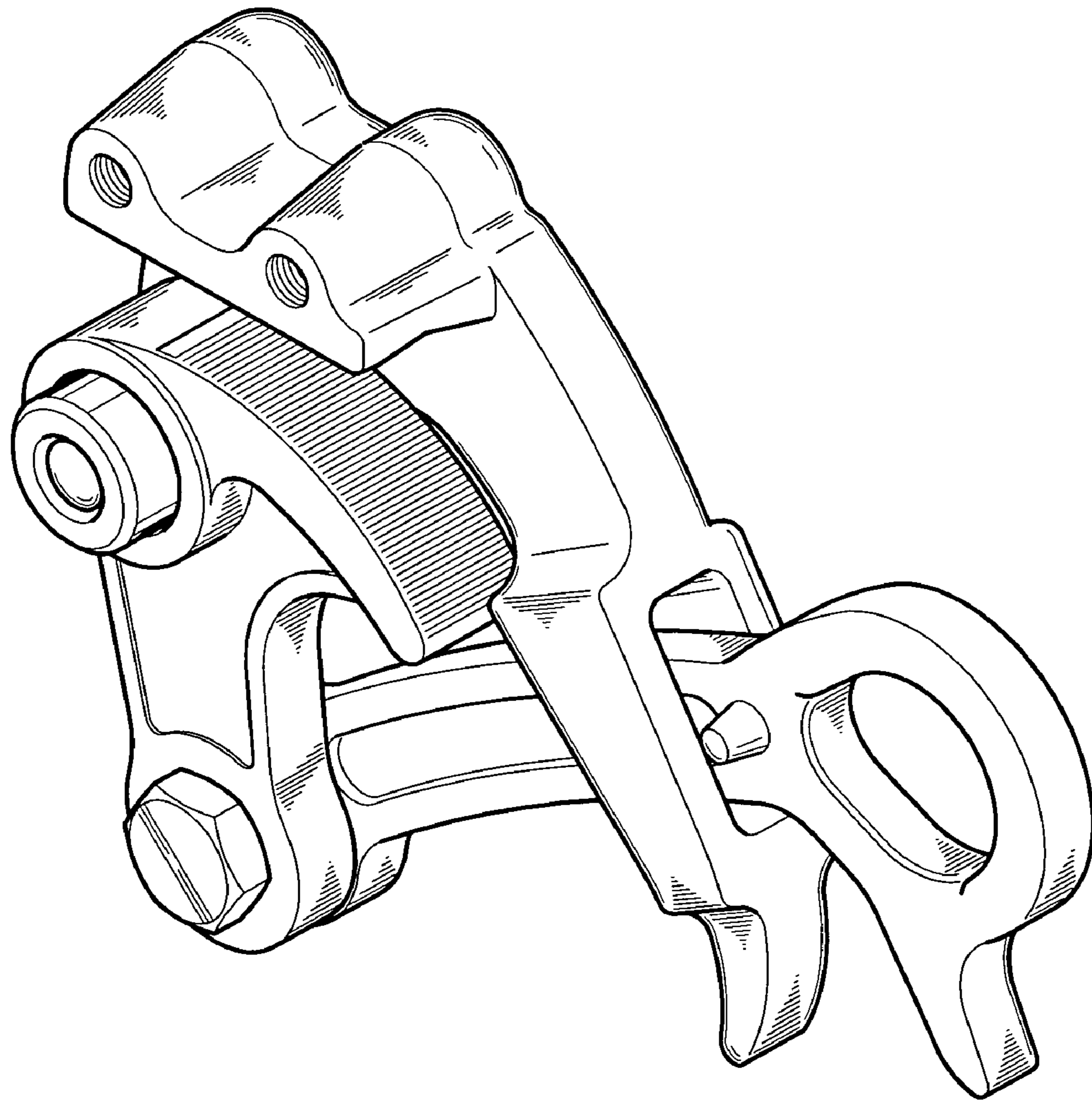


FIG. 8

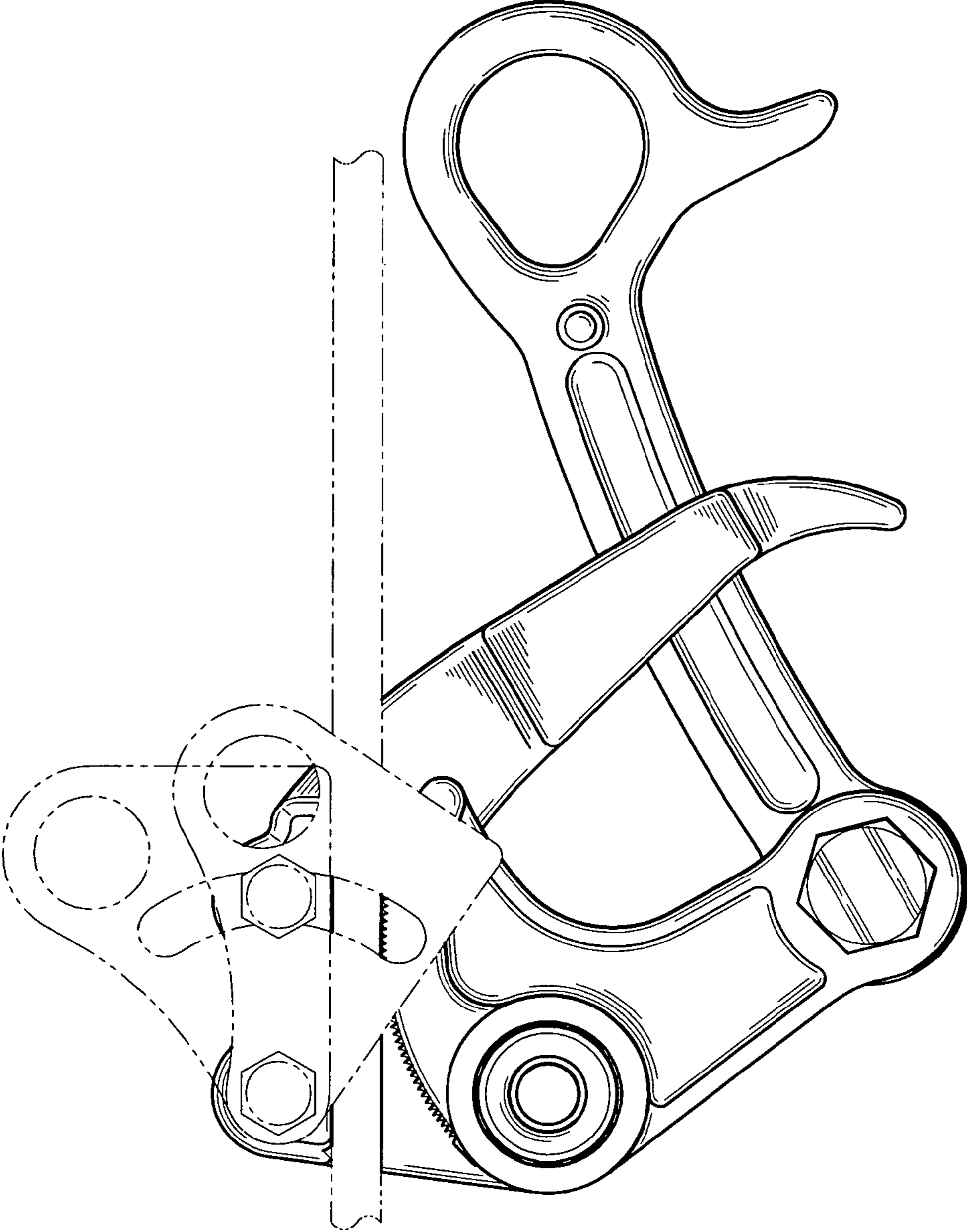


FIG.9

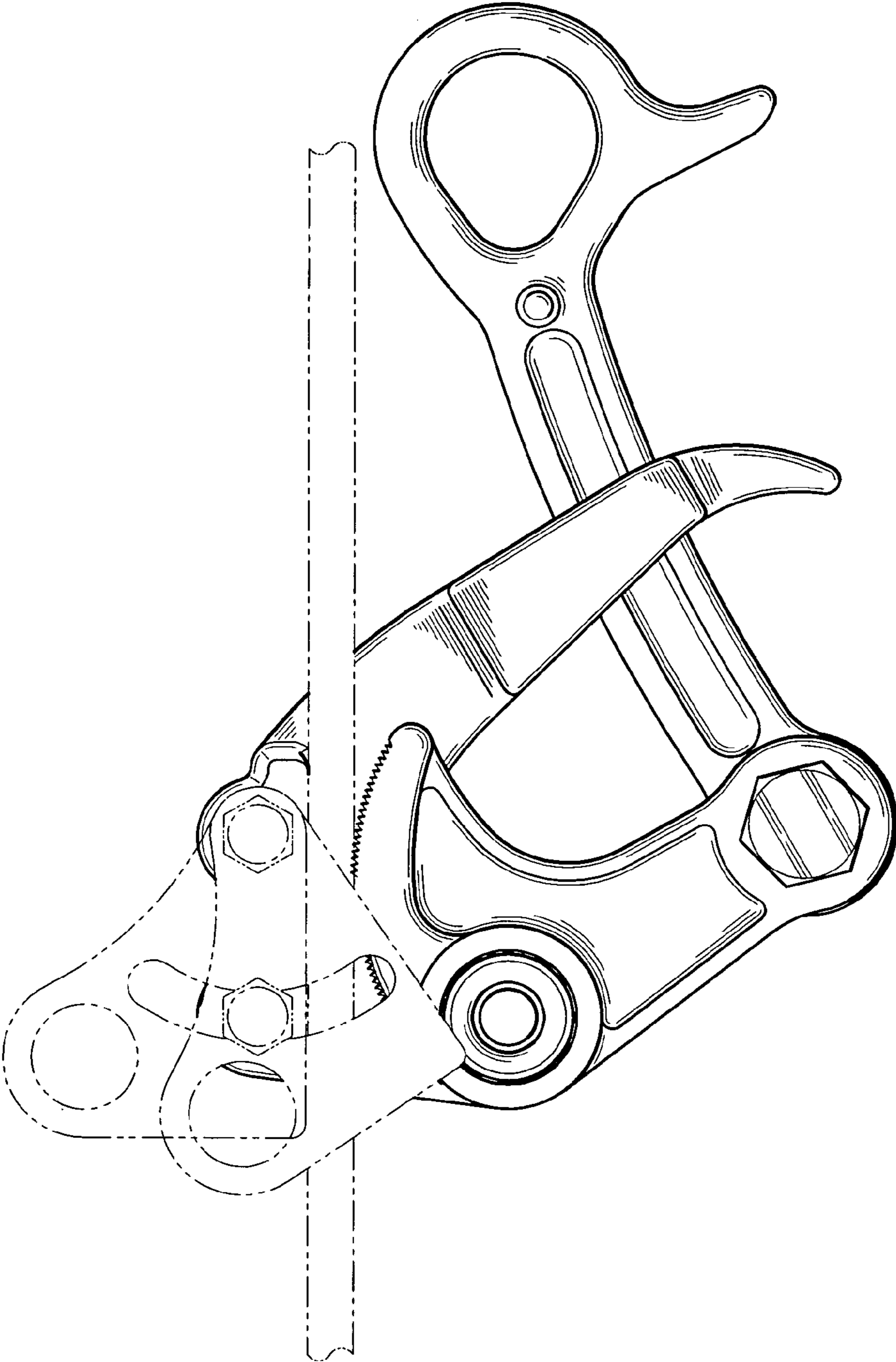


FIG.10