



US00D637634S

(12) **United States Design Patent**
Chen

(10) **Patent No.:** **US D637,634 S**

(45) **Date of Patent:** **** May 10, 2011**

(54) **TRIGGER GRIP**

(75) Inventor: **Chi-Yuan Chen**, Taipei (TW)

(73) Assignees: **Yasuharu Nagaki**, Osaka (JP); **James Ke Liu**, Ontario, CA (US)

(**) Term: **14 Years**

(21) Appl. No.: **29/371,235**

(22) Filed: **Dec. 10, 2010**

(51) **LOC (9) Cl.** **15-09**

(52) **U.S. Cl.** **D15/138; D15/199**

(58) **Field of Classification Search** D3/207;
D7/387, 213; D8/18, 70, 80, 94; D9/434,
D9/438, 445, 447, 448, 455, 456; D15/138,
D15/199; D23/226; D24/108, 112, 127,
D24/145; 74/490.01, 490.02, 490.03, 490.05;
219/124.34, 639; 222/320, 391; 220/268,
220/269, 915; 294/30, 99.1, 902; 318/560,
318/568.13; 606/1, 130, 180; 700/99, 150

See application file for complete search history.

(56) **References Cited**

U.S. PATENT DOCUMENTS

| | | | | | | |
|--------------|----|---|---------|----------------|-------|----------|
| D269,681 | S | * | 7/1983 | Morser et al. | | D15/199 |
| 5,822,900 | A | * | 10/1998 | Armstrong | | 40/473 |
| 5,857,723 | A | * | 1/1999 | Mathieu et al. | | 294/19.1 |
| D449,057 | S | * | 10/2001 | Selic et al. | | D15/199 |
| D569,886 | S | * | 5/2008 | Larsson et al. | | D15/199 |
| D607,477 | S | * | 1/2010 | Suarez et al. | | D15/199 |
| 2005/0142515 | A1 | * | 6/2005 | Levy et al. | | 433/114 |

| | | | | | | |
|--------------|----|---|--------|-----------------|-------|----------|
| 2005/0188587 | A1 | * | 9/2005 | Danas | | 42/72 |
| 2010/0006674 | A1 | * | 1/2010 | Stenberg | | 239/528 |
| 2010/0187842 | A1 | * | 7/2010 | Buzby et al. | | 294/19.1 |
| 2010/0191255 | A1 | * | 7/2010 | Crainich et al. | | 606/142 |

* cited by examiner

Primary Examiner — Patricia Palasik

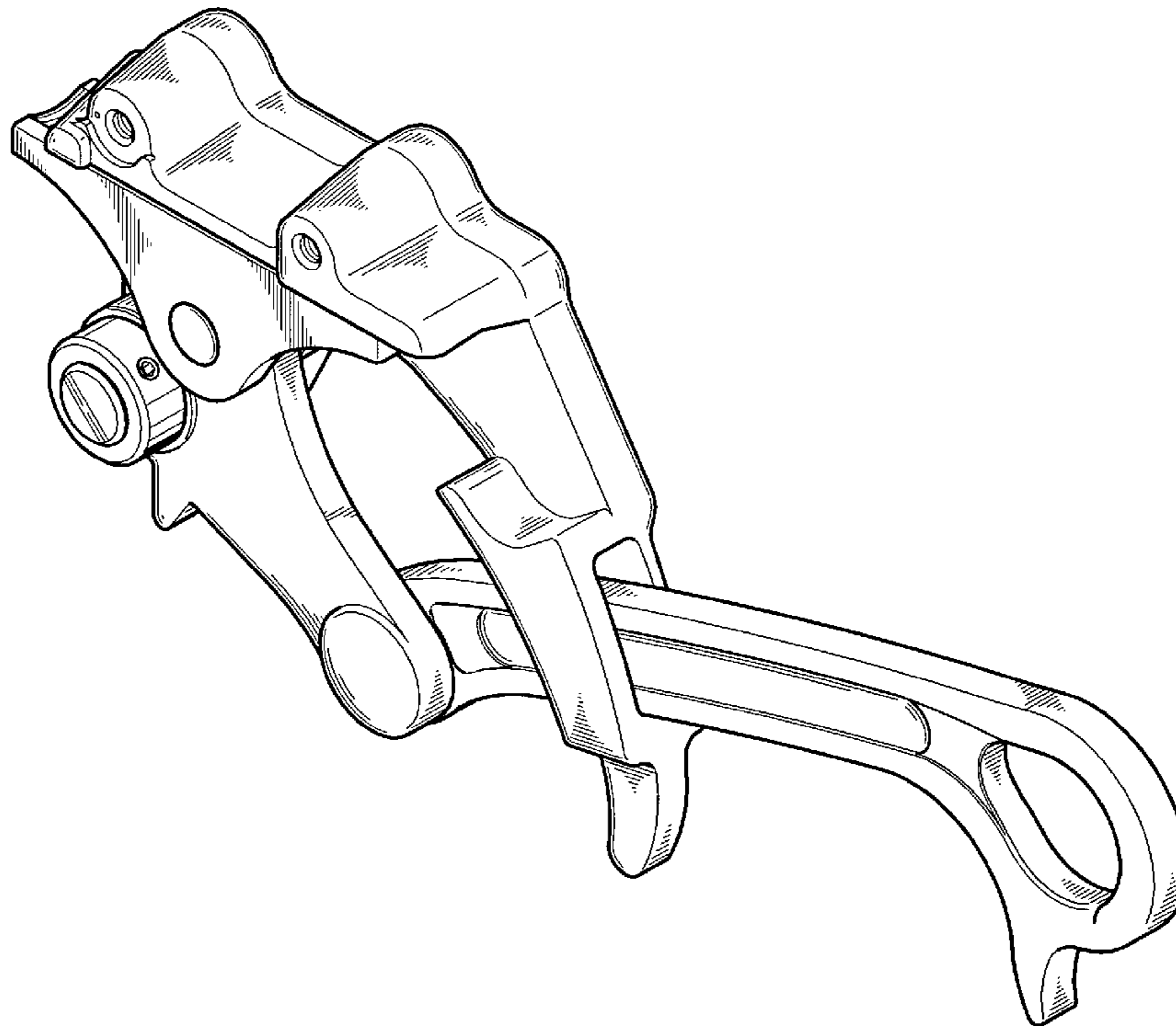
(57) **CLAIM**

The ornamental design for a trigger grip, as shown and described.

DESCRIPTION

FIG. 1 is a perspective view of the trigger grip of this invention;
 FIG. 2 is a front view thereof;
 FIG. 3 is a rear view thereof;
 FIG. 4 is a left view thereof;
 FIG. 5 is a right view thereof;
 FIG. 6 is a top view thereof;
 FIG. 7 is a bottom view thereof;
 FIG. 8 is a perspective view of the trigger grip of this invention illustrating the trigger grip ready for gripping;
 FIG. 9 is a front view of the trigger grip of this invention with a thrust plate in state of gripping wire;
 FIG. 10 is a front view of the trigger grip with another thrust plate in state of gripping wire; and,
 FIG. 11 is a front view of the trigger grip with the other thrust plate in state of gripping wire.
 The broken lines are for illustrative purpose only and form no part of the claimed design.

1 Claim, 8 Drawing Sheets



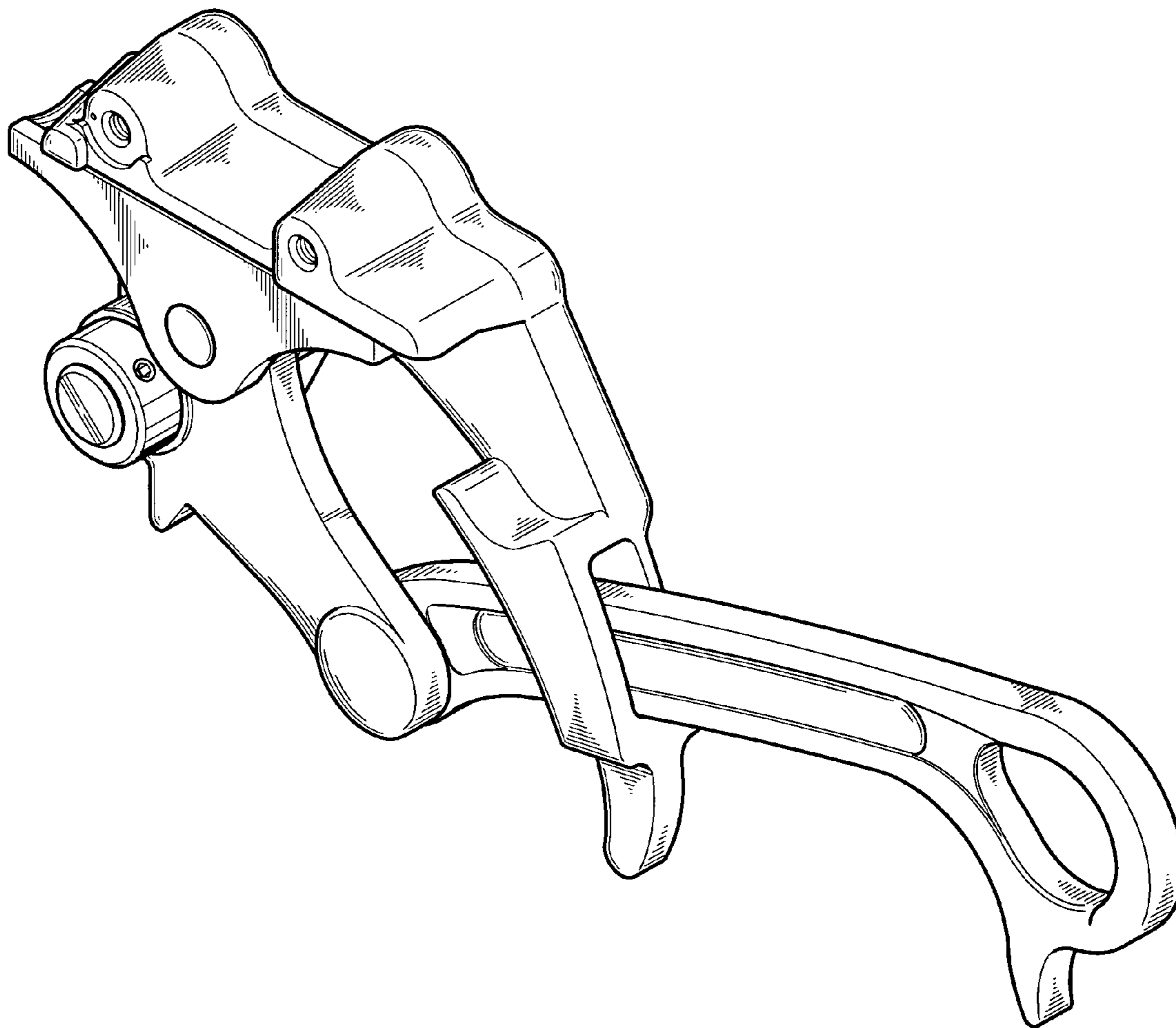


FIG.1

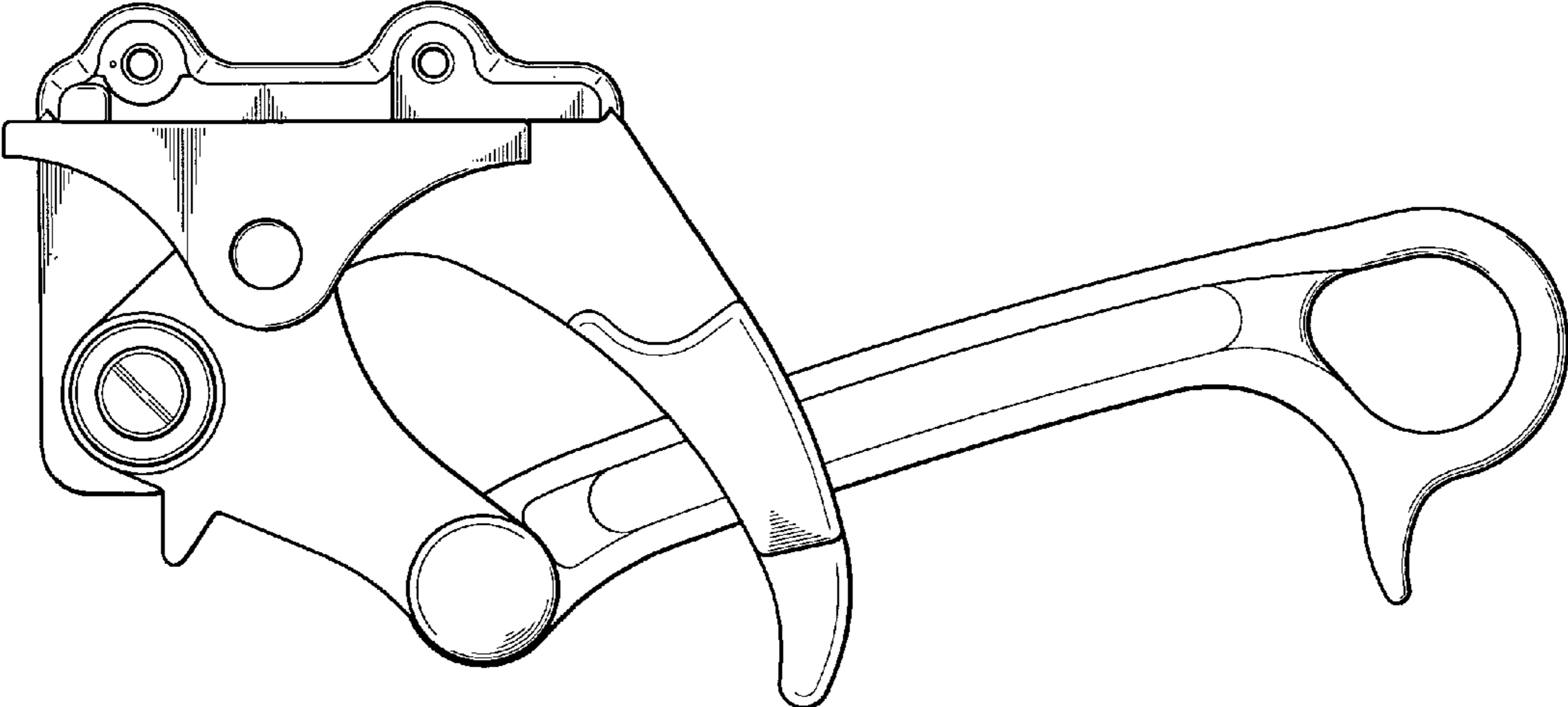


FIG.2

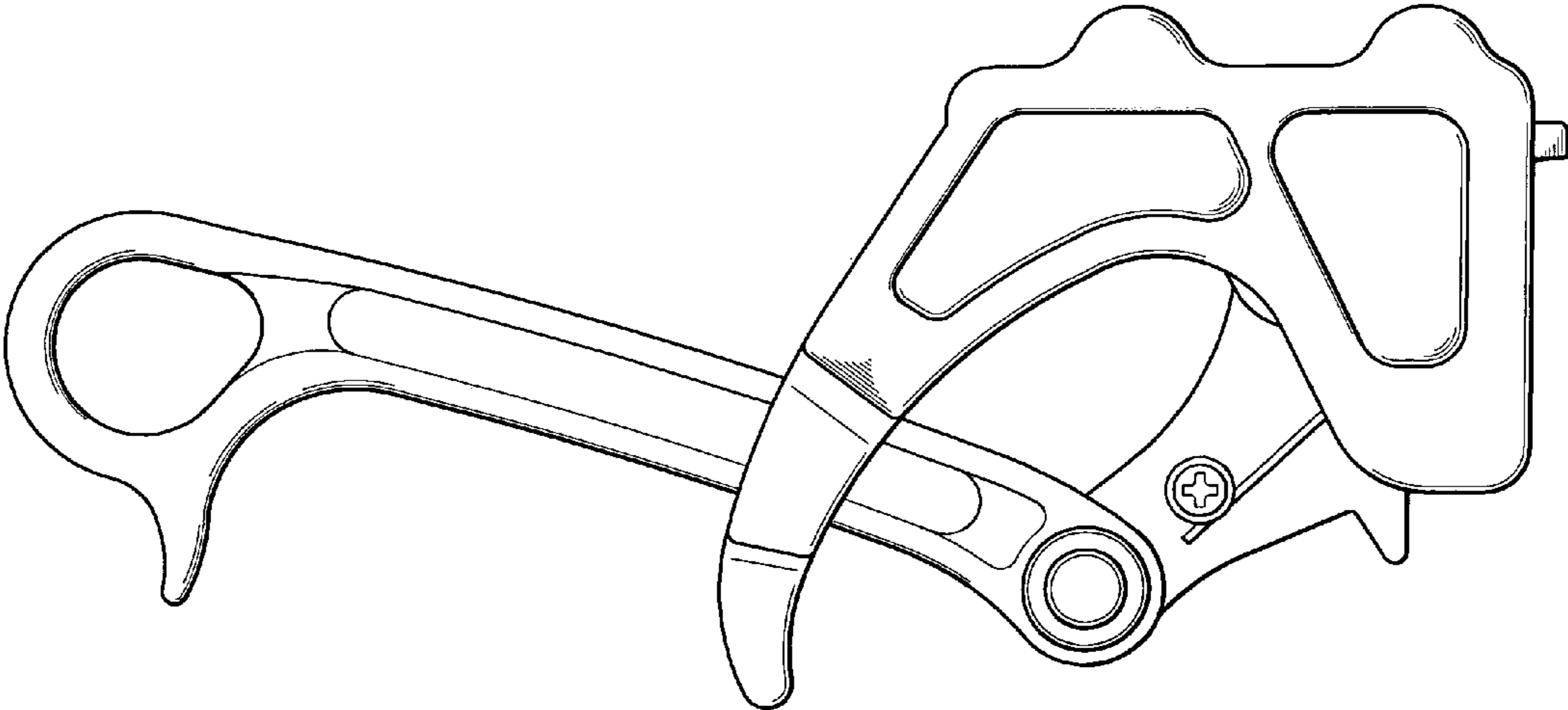


FIG.3

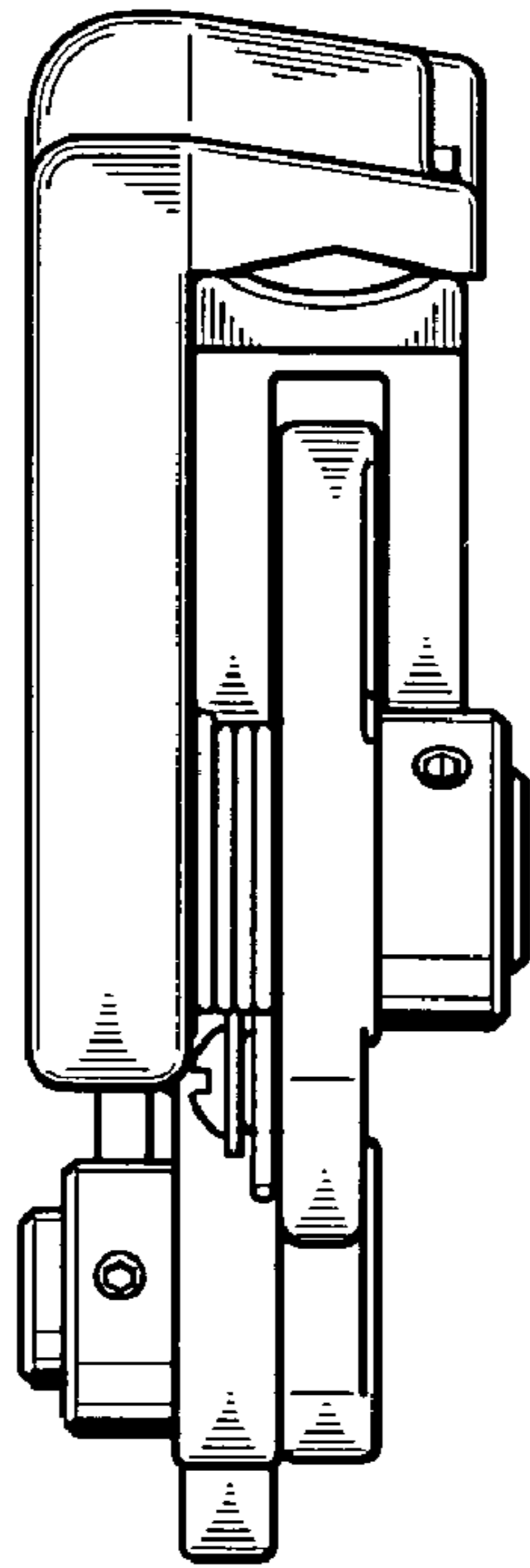


FIG. 4

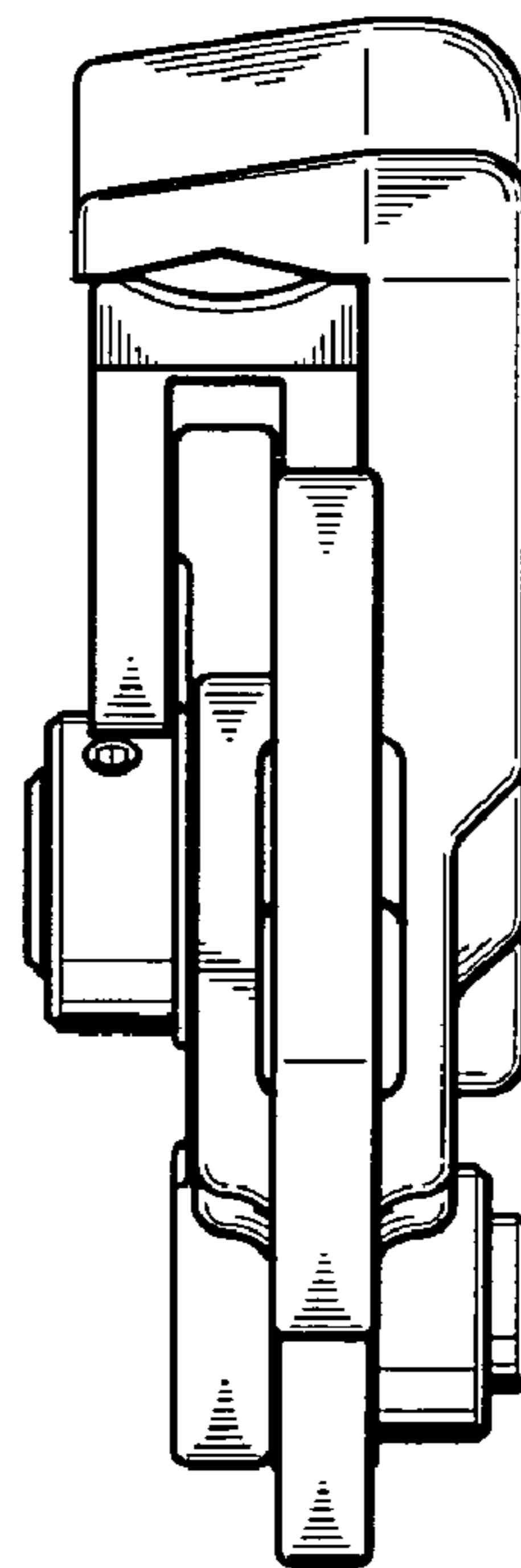


FIG. 5

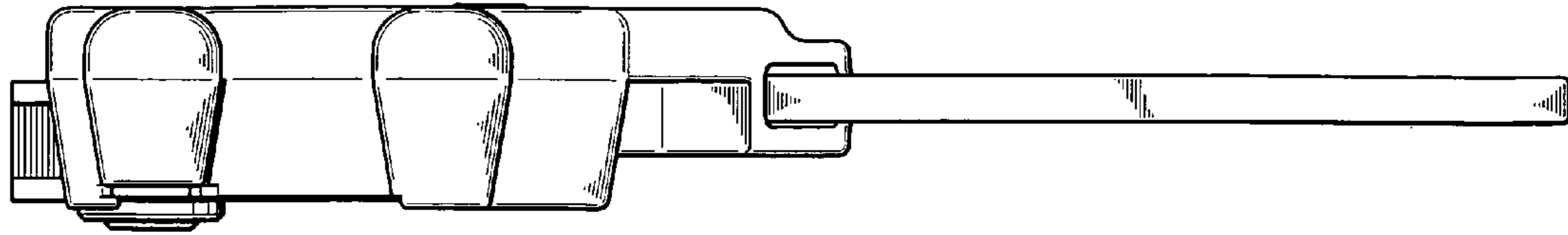


FIG. 6

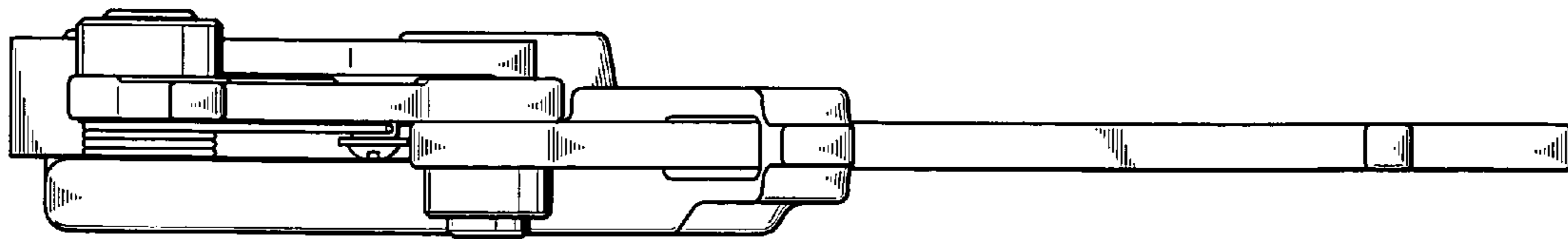


FIG. 7

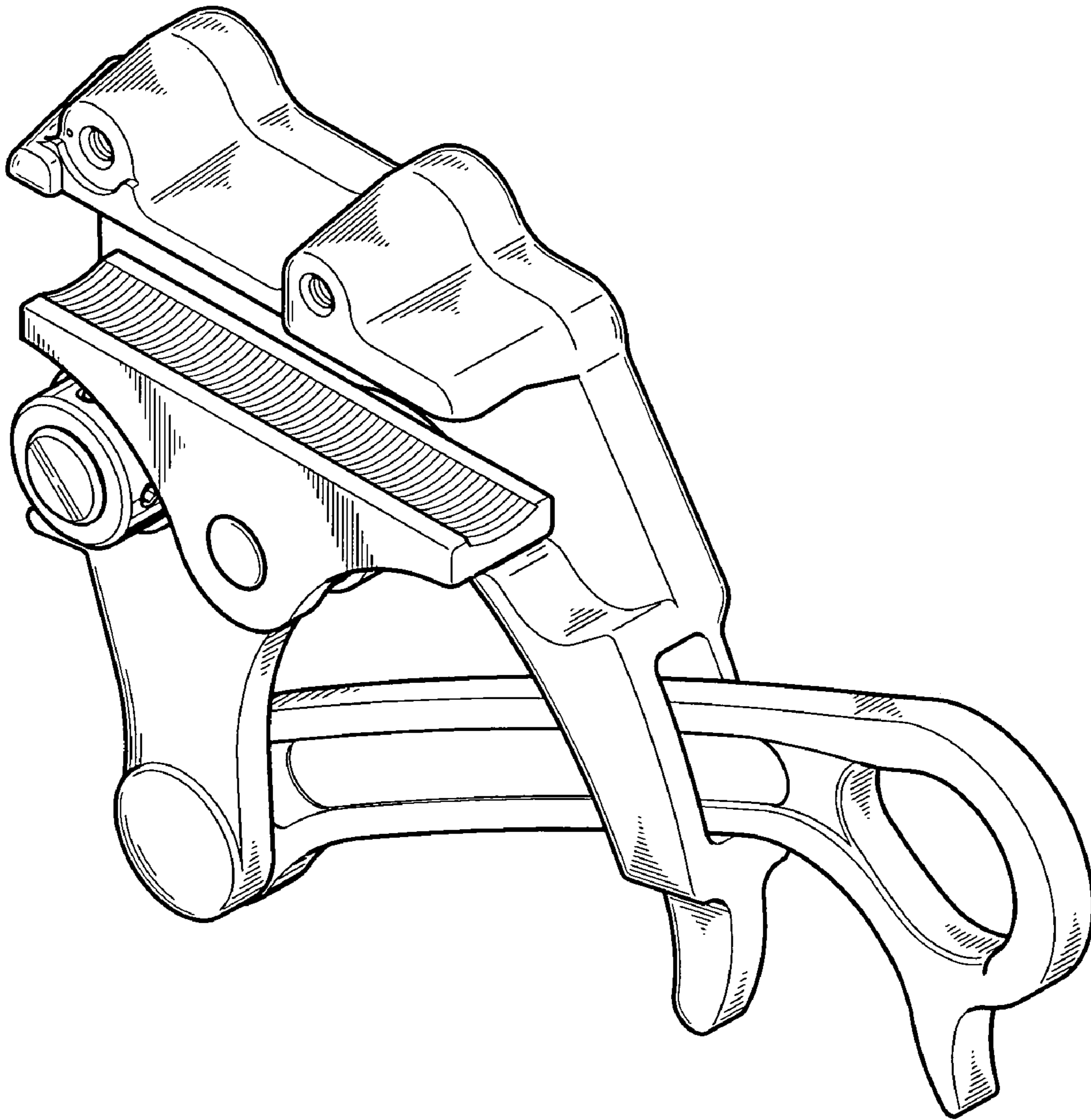


FIG.8

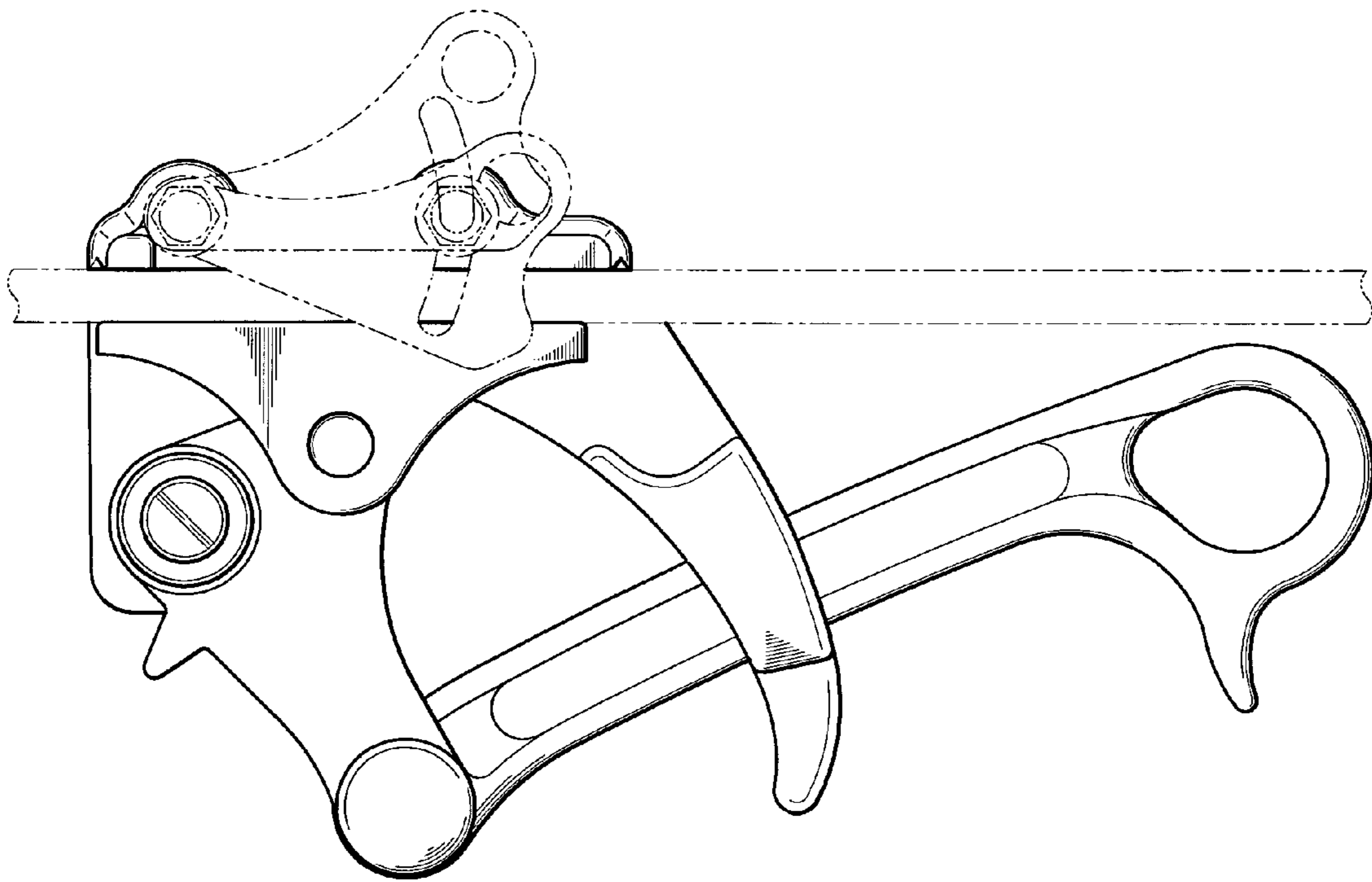


FIG.9

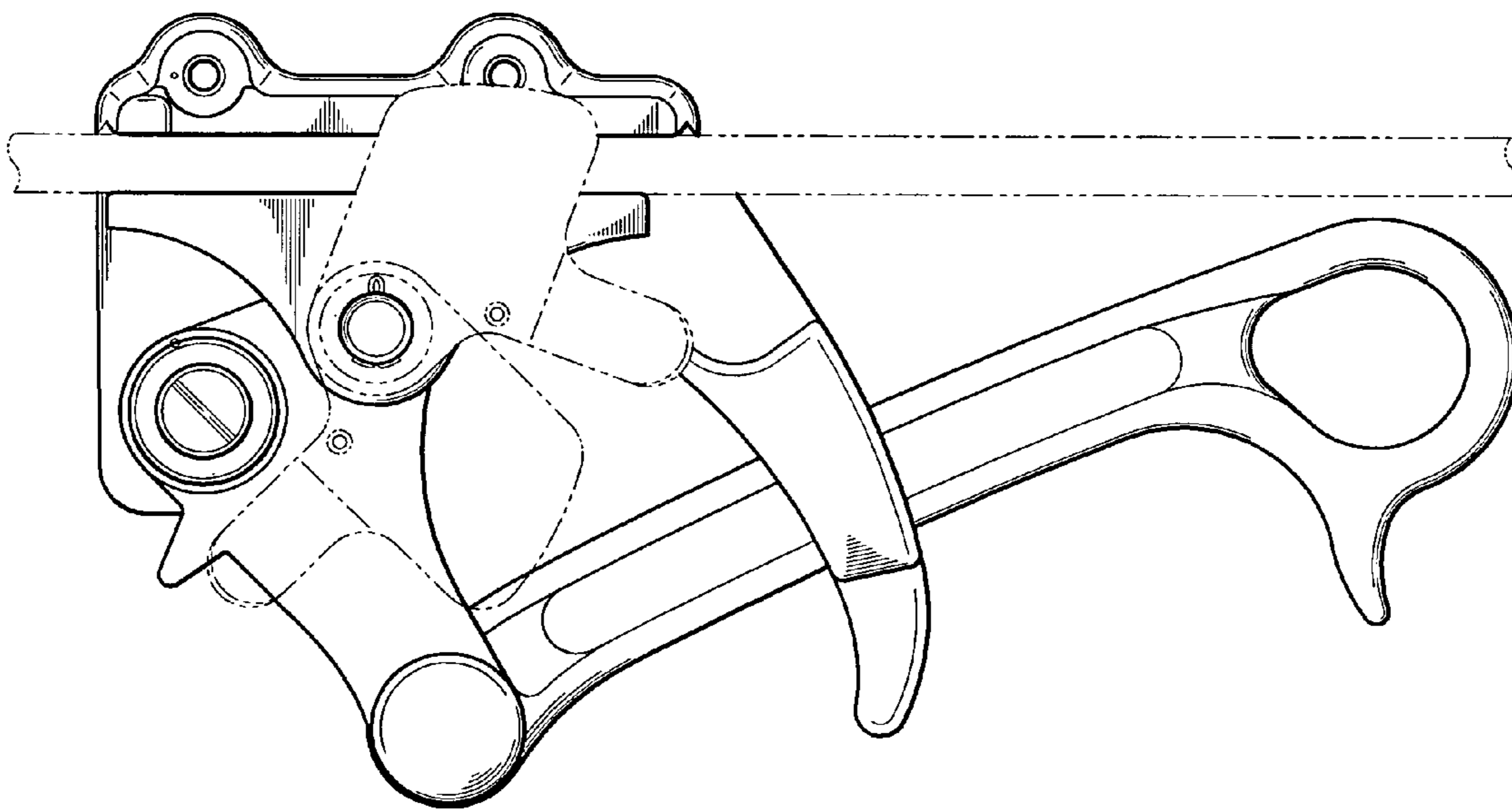


FIG. 10

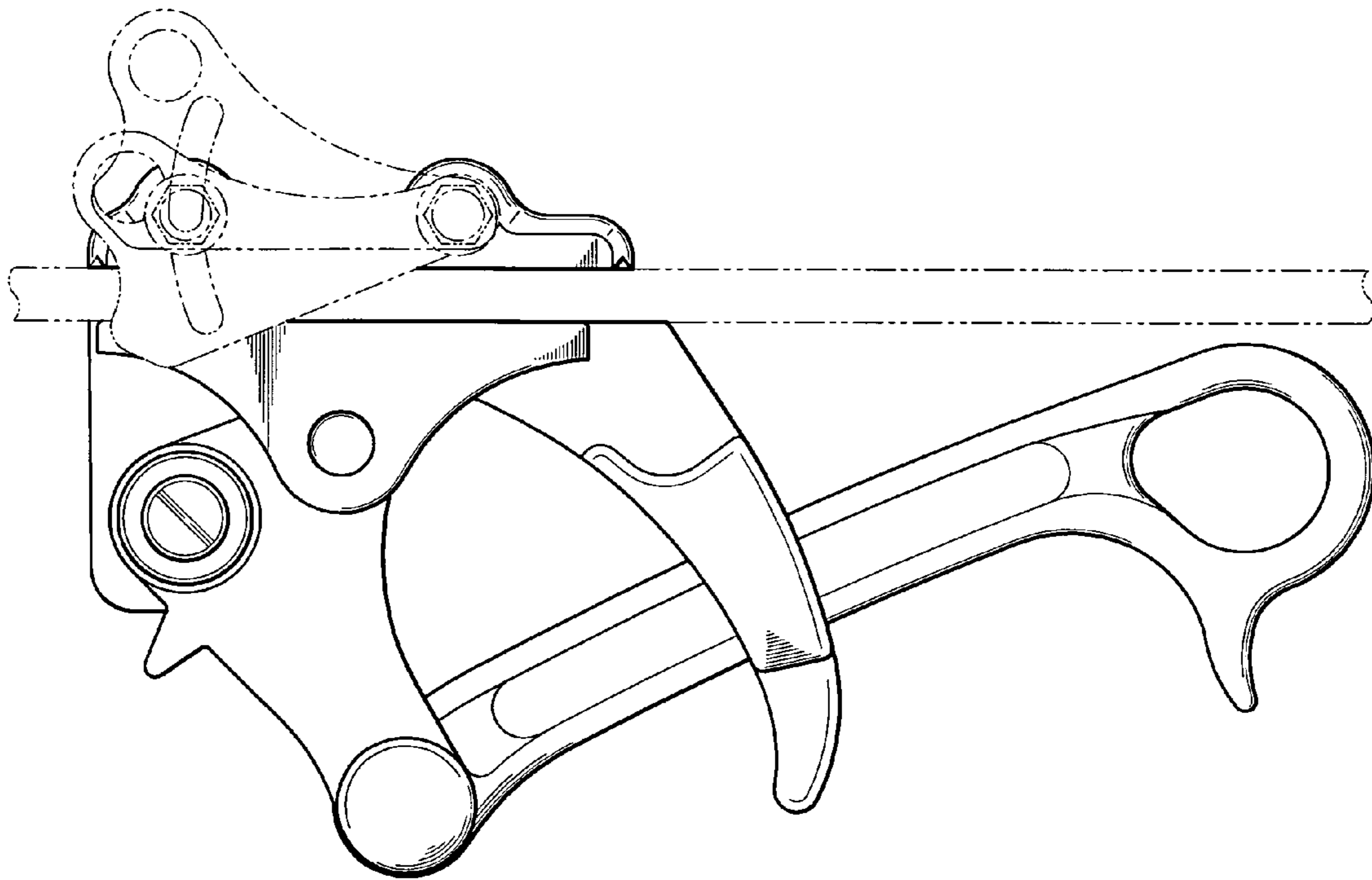


FIG. 11