



US00D637632S

(12) **United States Design Patent**  
**Schmitz et al.**

(10) **Patent No.:** **US D637,632 S**  
(45) **Date of Patent:** **\*\* May 10, 2011**

(54) **SWING HAMMER FOR PARTICULATE SIZE REDUCTION SYSTEM**

(75) Inventors: **William Schmitz**, Clymer, NY (US);  
**Daniel P. Smith**, Spencer, MA (US);  
**Craig A. Penterson**, Sutton, MA (US)

(73) Assignee: **Riley Power Inc.**, Worcester, MA (US)

(\*\*) Term: **14 Years**

(21) Appl. No.: **29/377,229**

(22) Filed: **Oct. 19, 2010**

**Related U.S. Application Data**

(63) Continuation of application No. 12/383,653, filed on Mar. 27, 2009, now Pat. No. 7,837,138, which is a continuation-in-part of application No. 11/744,081, filed on May 3, 2007, now Pat. No. 7,516,912.

(51) **LOC (9) Cl.** ..... **15-09**

(52) **U.S. Cl.** ..... **D15/123**

(58) **Field of Classification Search** ..... D15/123,  
D15/124, 125, 126, 131; 241/73, 74, 189.1,  
241/193-197, 294, 300  
See application file for complete search history.

(56) **References Cited**

**U.S. PATENT DOCUMENTS**

1,628,609	A	5/1927	Newhouse	
2,015,581	A *	9/1935	Armour	241/195
2,341,105	A *	2/1944	Kueneman et al.	241/266
2,531,597	A *	11/1950	Anderson	241/197
2,625,332	A	1/1953	Rogers et al.	
2,628,038	A	2/1953	Rogers et al.	
2,637,502	A *	5/1953	Bond	241/194
2,639,863	A	5/1953	Rogers	
3,050,018	A	8/1962	Pearson	
3,092,337	A	6/1963	Patterson	
4,000,859	A *	1/1977	Whitney	241/194
4,202,504	A *	5/1980	Cameron	241/194
4,919,795	A	4/1990	Fujii et al.	

5,025,930	A	6/1991	Barthelmess	
5,289,978	A	3/1994	Lundquist	
5,348,272	A	9/1994	Lukstas et al.	
5,381,976	A *	1/1995	Chon et al.	241/197
5,439,327	A *	8/1995	Wertheim	407/11
5,560,550	A	10/1996	Krawczyk	
5,938,045	A	8/1999	Makino et al.	
D429,741	S *	8/2000	Warren	D15/123
6,123,279	A	9/2000	Stafford et al.	
6,443,376	B1	9/2002	Huang et al.	
6,644,479	B1	11/2003	Kimmeyer et al.	
6,971,598	B2 *	12/2005	Schillinger et al.	241/194
D552,638	S *	10/2007	Willibald	D15/123
7,377,459	B2	5/2008	Potts	
D574,400	S *	8/2008	Willibald	D15/123
7,494,080	B2	2/2009	Knotts	
7,516,912	B2 *	4/2009	Schmitz et al.	241/194
D616,286	S *	5/2010	Foresman	D8/354
2004/0177892	A1 *	9/2004	Crittenden et al.	140/123.6
2004/0238666	A1 *	12/2004	Gray et al.	241/197
2008/0272217	A1 *	11/2008	Schmitz et al.	241/194
2009/0114751	A1 *	5/2009	Doppstadt et al.	241/197
2009/0250538	A1 *	10/2009	Schmitz et al.	241/189.1

\* cited by examiner

*Primary Examiner* — Patricia Palasik

(74) *Attorney, Agent, or Firm* — Edwards Angell Palmer & Dodge LLP

(57) **CLAIM**

The ornamental design for a swing hammer for particulate size reduction system, as shown and described in the attached specification.

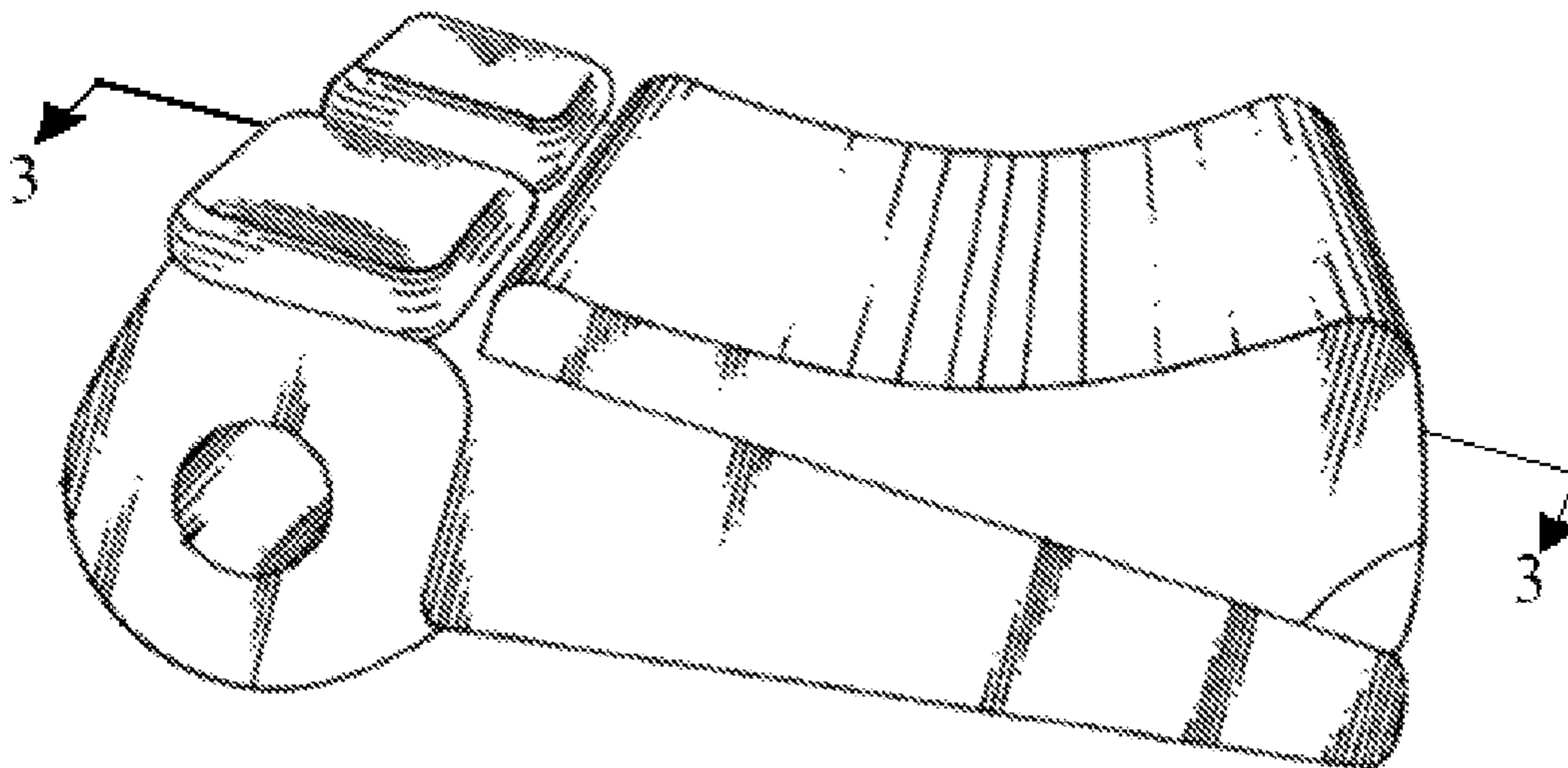
**DESCRIPTION**

FIG. 1 is a perspective view of the swing hammer for particulate size reduction system.

FIG. 2 is a top plan view of the swing hammer for particulate size reduction system; and,

FIG. 3 is a cross-sectional view of the swing hammer for particulate size reduction system taken along line 3—3 of FIG. 1.

**1 Claim, 2 Drawing Sheets**



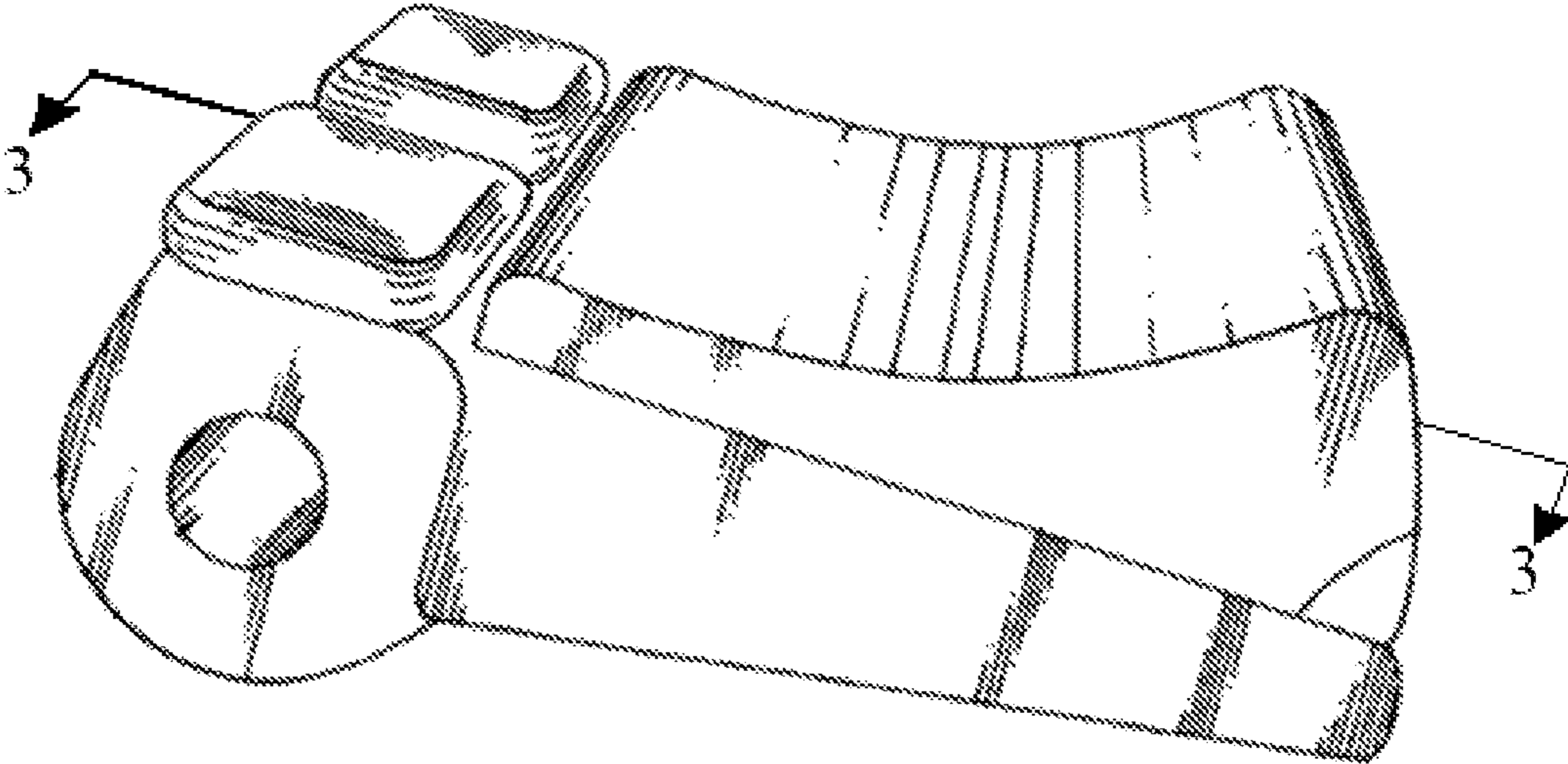


FIG. 1

FIG. 2

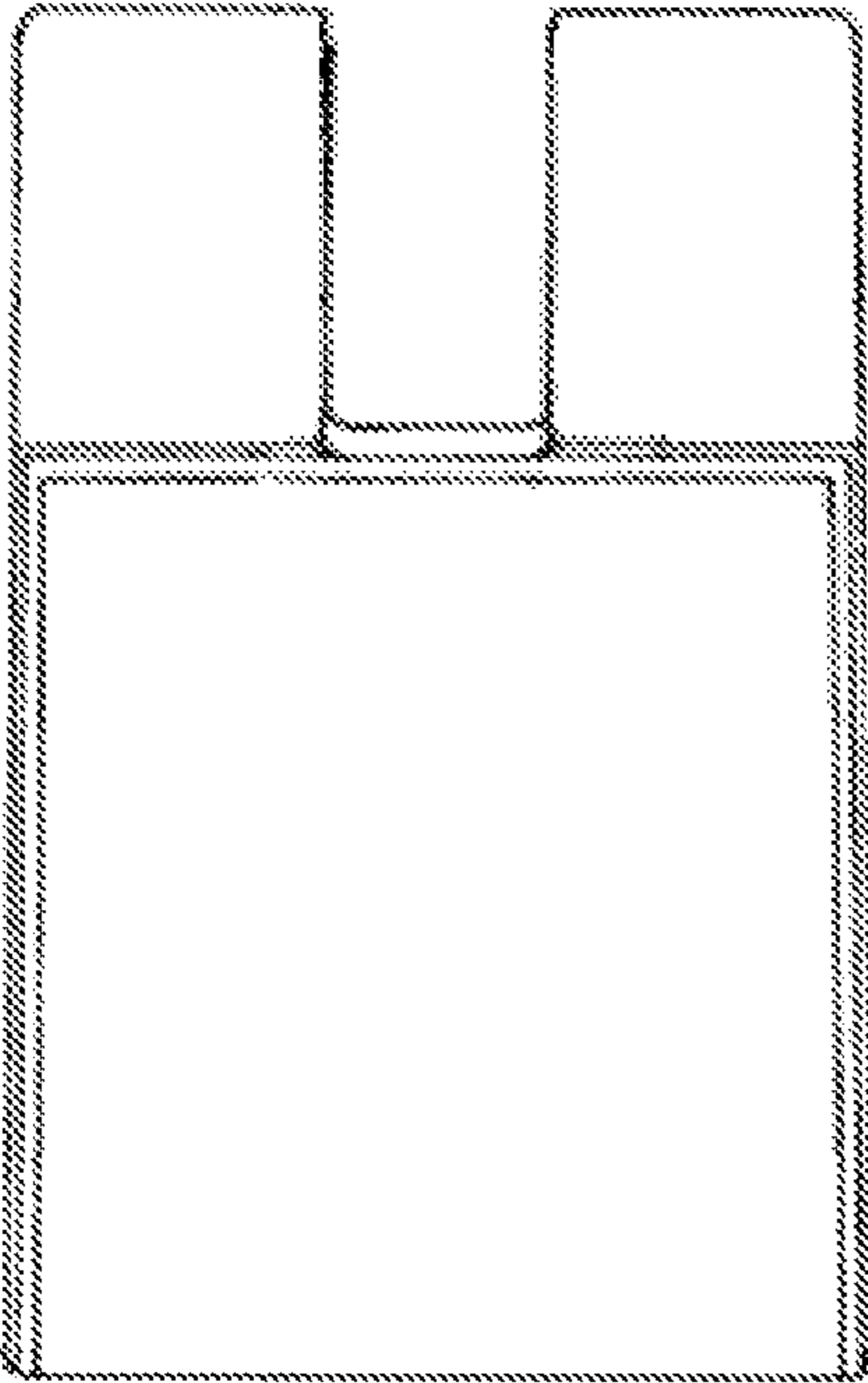


FIG. 3

