

US00D637630S

(12) **United States Design Patent**
Yamamoto et al.

(10) **Patent No.:** **US D637,630 S**
(45) **Date of Patent:** **** May 10, 2011**

(54) **CAB FOR CONSTRUCTION MACHINE**

(75) Inventors: **Keiji Yamamoto**, Hiroshima (JP);
Shuichi Ono, Hiroshima (JP); **Kenta Kojima**, Hiroshima (JP); **Hideki Okubo**, Hiroshima (JP)

(73) Assignee: **Kobelco Conctruction Machinery Co., Ltd.**, Hiroshima-Shi (JP)

(**) Term: **14 Years**

(21) Appl. No.: **29/369,037**

(22) Filed: **Sep. 1, 2010**

(30) **Foreign Application Priority Data**

Mar. 2, 2010 (JP) D2010-004889
Mar. 2, 2010 (JP) D2010-004891

(51) **LOC (9) Cl.** **15-03**

(52) **U.S. Cl.** **D15/30**

(58) **Field of Classification Search** D15/10,
D15/22-26, 28, 30, 31; 180/89.11, 89.12,
180/89.13, 89.19, 900; 296/190.01, 190.08,
296/210, 190, 202

See application file for complete search history.

(56) **References Cited**

U.S. PATENT DOCUMENTS

D230,297 S * 2/1974 Purcell et al. D15/30
3,933,371 A * 1/1976 Graham 280/756
D267,648 S * 1/1983 Baconet et al. D15/30
D275,199 S * 8/1984 Schmidt et al. D15/30
D312,827 S * 12/1990 Boddin et al. D15/30
D317,011 S * 5/1991 Boddin et al. D15/30
D323,659 S * 2/1992 Jacobsson D15/30
D348,678 S * 7/1994 Budde D15/30
D424,778 S * 5/2000 Dahl et al. D34/34
D438,878 S * 3/2001 Brandenburg et al. D15/30
D446,225 S * 8/2001 Brandenburg et al. D15/30
D455,763 S * 4/2002 Brandenburg et al. D15/30
D463,461 S * 9/2002 Yanagida et al. D15/30

D463,462 S * 9/2002 Yanagida et al. D15/30
D463,807 S * 10/2002 Tamaru et al. D15/30
D471,213 S * 3/2003 Kwak et al. D15/30
D479,536 S * 9/2003 Dahl et al. D15/30
D481,044 S * 10/2003 Tokach et al. D15/30
D481,398 S * 10/2003 Tokach et al. D15/30
D487,100 S * 2/2004 Tokach et al. D15/30
D497,920 S * 11/2004 Antonetti D15/30
D507,281 S * 7/2005 Komatsu et al. D15/30
D507,800 S * 7/2005 Kuwae et al. D15/30
D523,029 S * 6/2006 Crawford et al. D15/30
D523,874 S * 6/2006 Hagele D15/30
D528,134 S * 9/2006 Vandendriessche et al. .. D15/30
D531,646 S * 11/2006 McCarren et al. D15/30
D531,647 S * 11/2006 Stender et al. D15/30
D541,825 S * 5/2007 Pettersson D15/30
D541,826 S * 5/2007 Brush et al. D15/30

(Continued)

FOREIGN PATENT DOCUMENTS

JP 1103215 S 3/2001

(Continued)

Primary Examiner — Mark A Goodwin

(74) *Attorney, Agent, or Firm* — Birch, Stewart, Kolasch & Birch, LLP

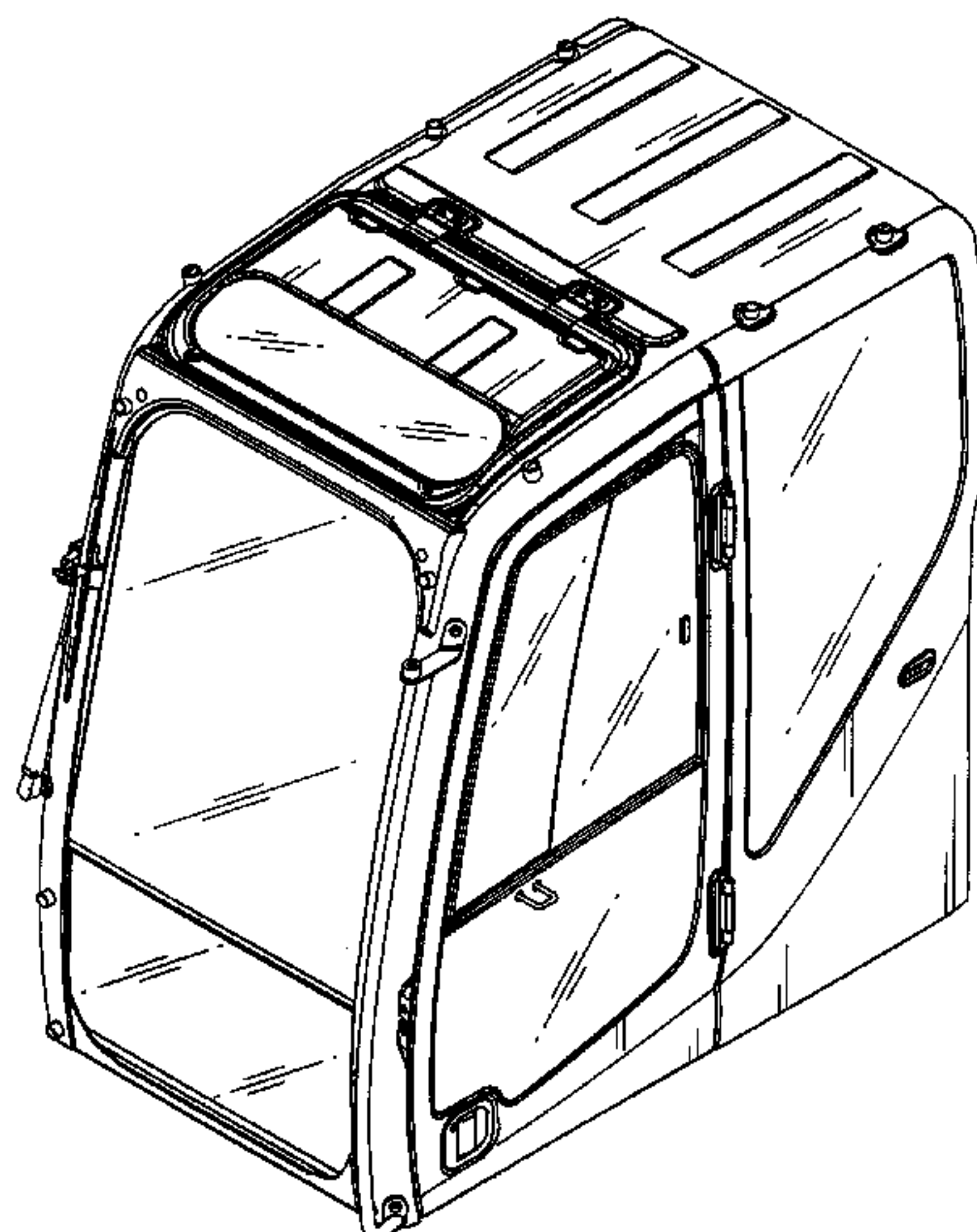
(57) **CLAIM**

The ornamental design for a cab for construction machine, as shown and described.

DESCRIPTION

FIG. 1 is a first perspective view of a cab for construction machine showing our new design;
FIG. 2 is a second perspective view thereof;
FIG. 3 is a front view thereof;
FIG. 4 is a rear view thereof;
FIG. 5 is a left side view thereof;
FIG. 6 is a right side view thereof;
FIG. 7 is a top plan view thereof; and,
FIG. 8 is a bottom plan view thereof.

1 Claim, 8 Drawing Sheets



US D637,630 S

Page 2

U.S. PATENT DOCUMENTS

D548,753 S * 8/2007 Kim D15/30
D549,245 S * 8/2007 Antonetti D15/30
D549,742 S * 8/2007 Koss D15/30
D555,677 S * 11/2007 Kuwae et al. D15/30
D561,205 S * 2/2008 Pettersson D15/30
D577,040 S * 9/2008 Kim D15/30
D579,028 S * 10/2008 VanDeVeer et al. D15/30
D594,037 S * 6/2009 Uemura D15/30
D595,745 S * 7/2009 Jorgensen et al. D15/30
D603,881 S * 11/2009 Tamplain et al. D15/30

D605,207 S * 12/2009 Menges et al. D15/30
D607,905 S * 1/2010 Reisenauer et al. D15/30
D614,674 S * 4/2010 Hobenshield et al. D15/30

FOREIGN PATENT DOCUMENTS

JP 1128903 S 12/2001
JP 1240324 S 5/2005
JP 1225024 S 11/2005
JP 1278755 S 8/2006
JP 1296866 S 3/2007

* cited by examiner

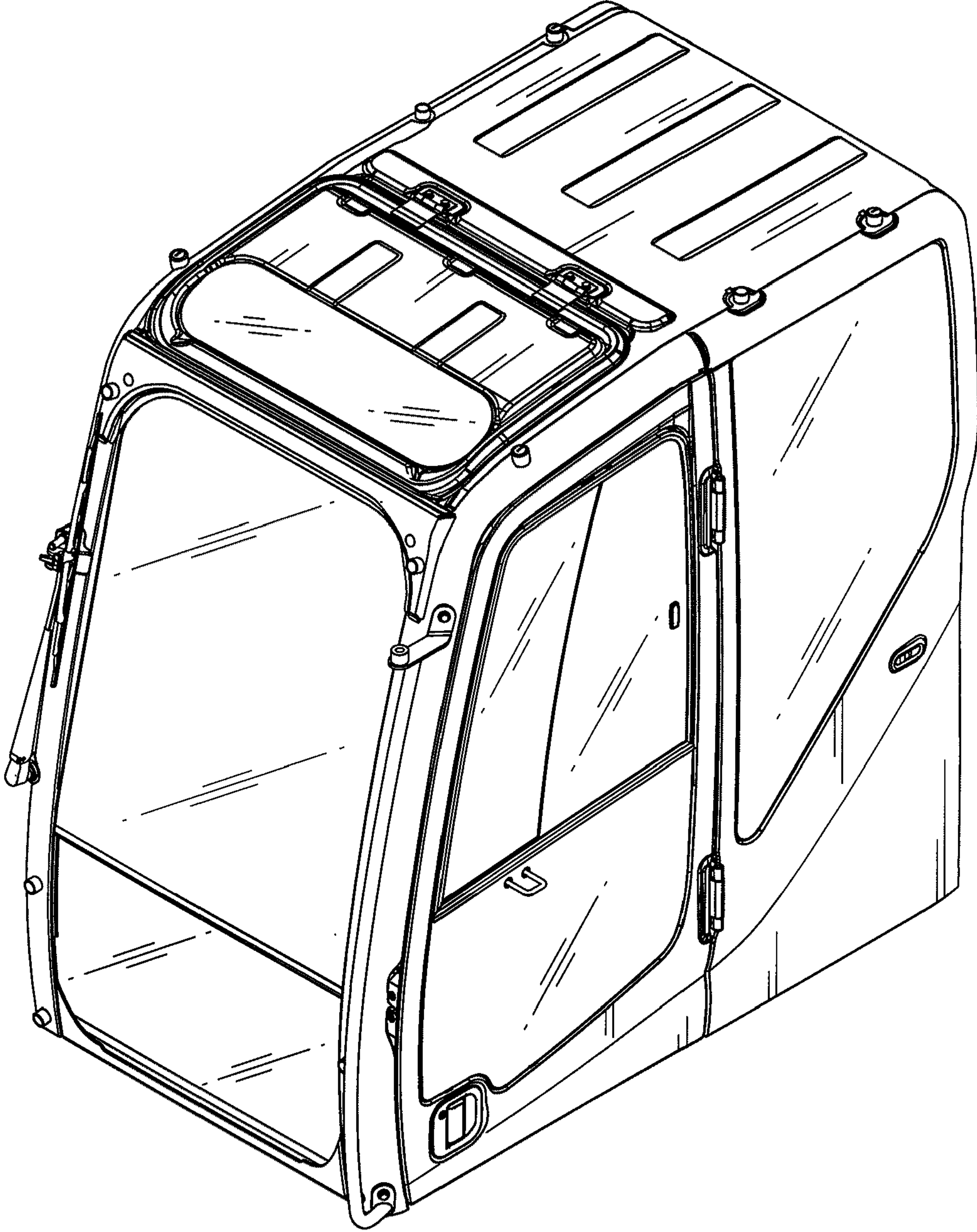


FIG. 1

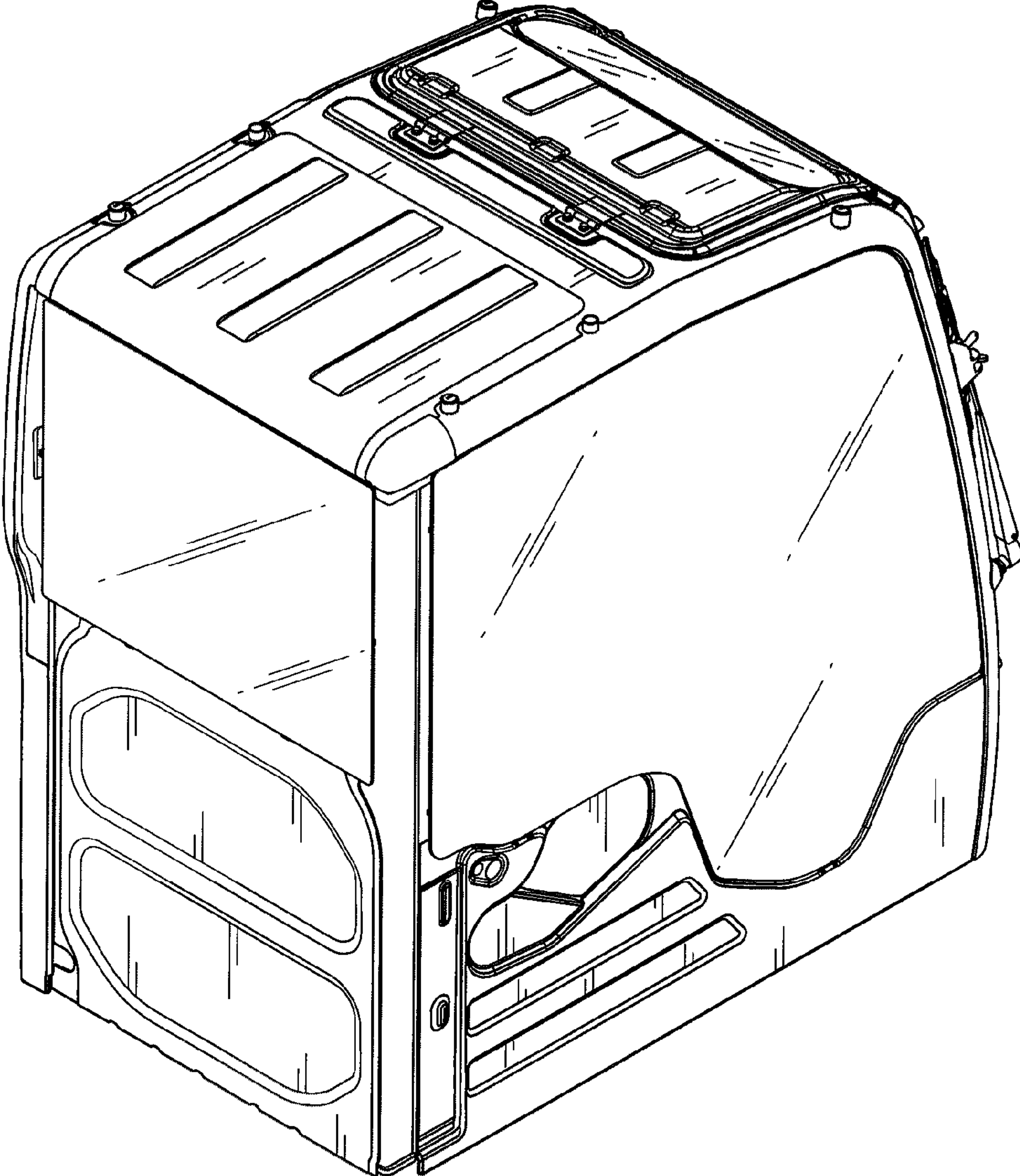


FIG.2

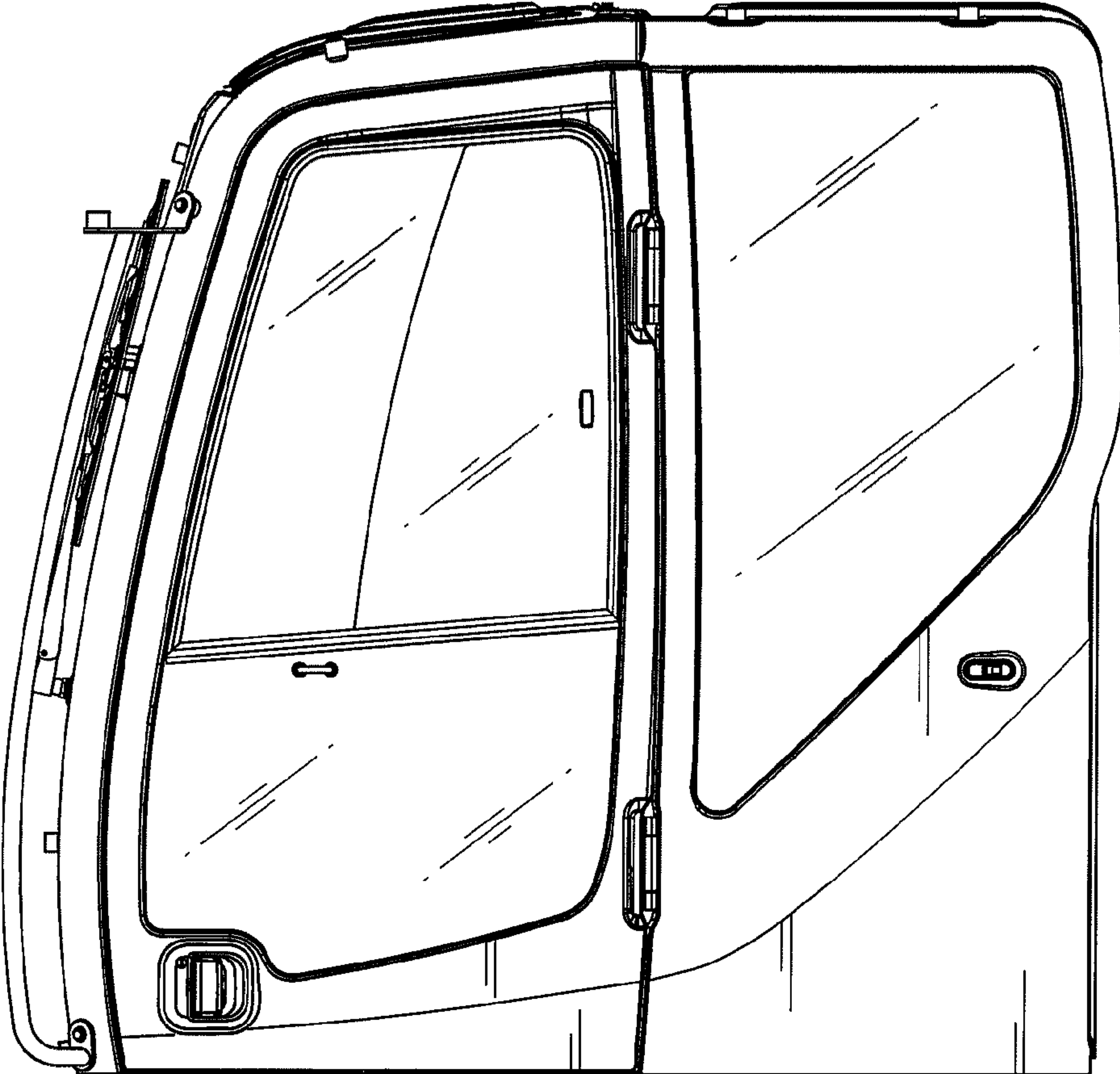


FIG.3

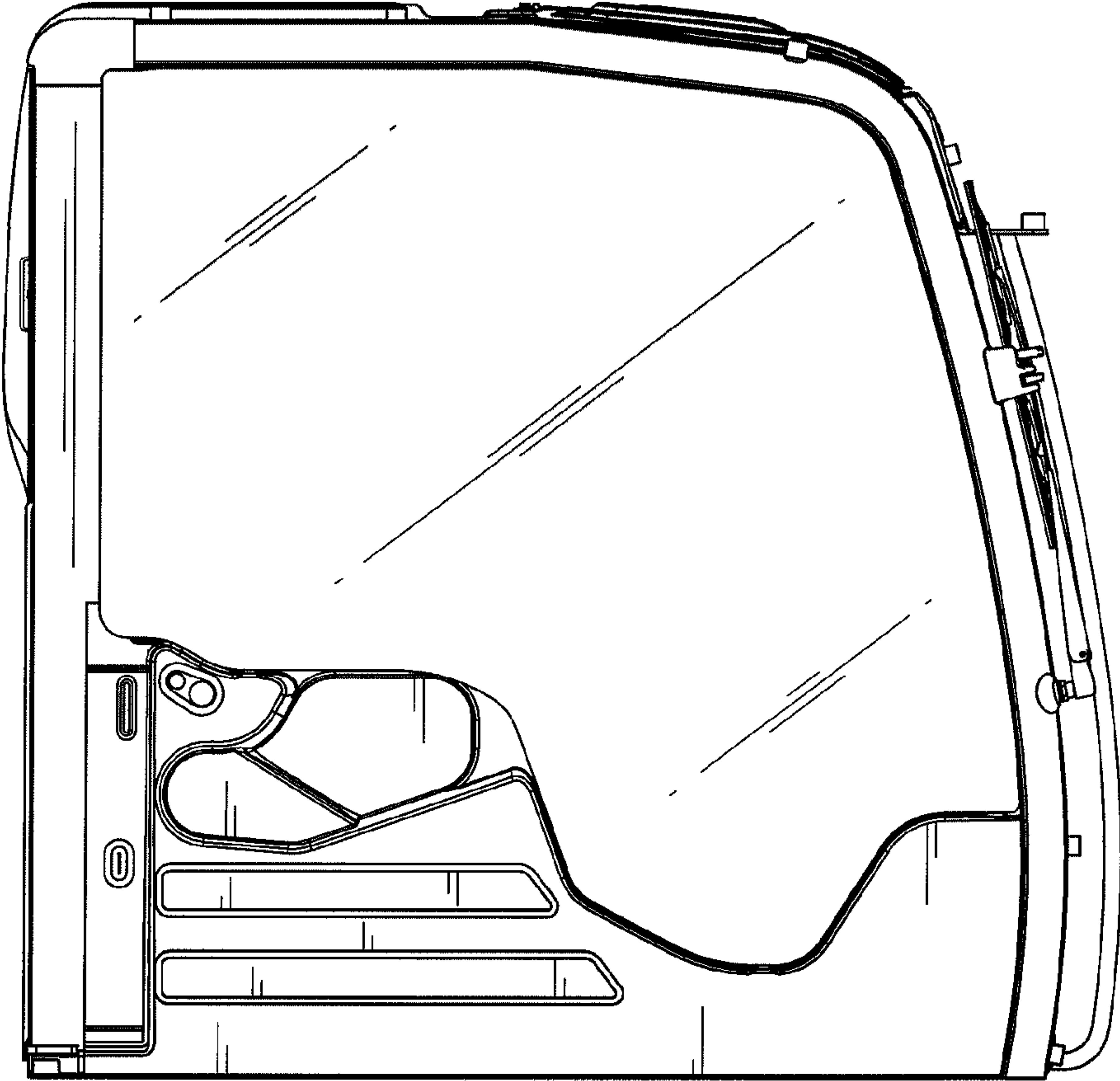


FIG.4

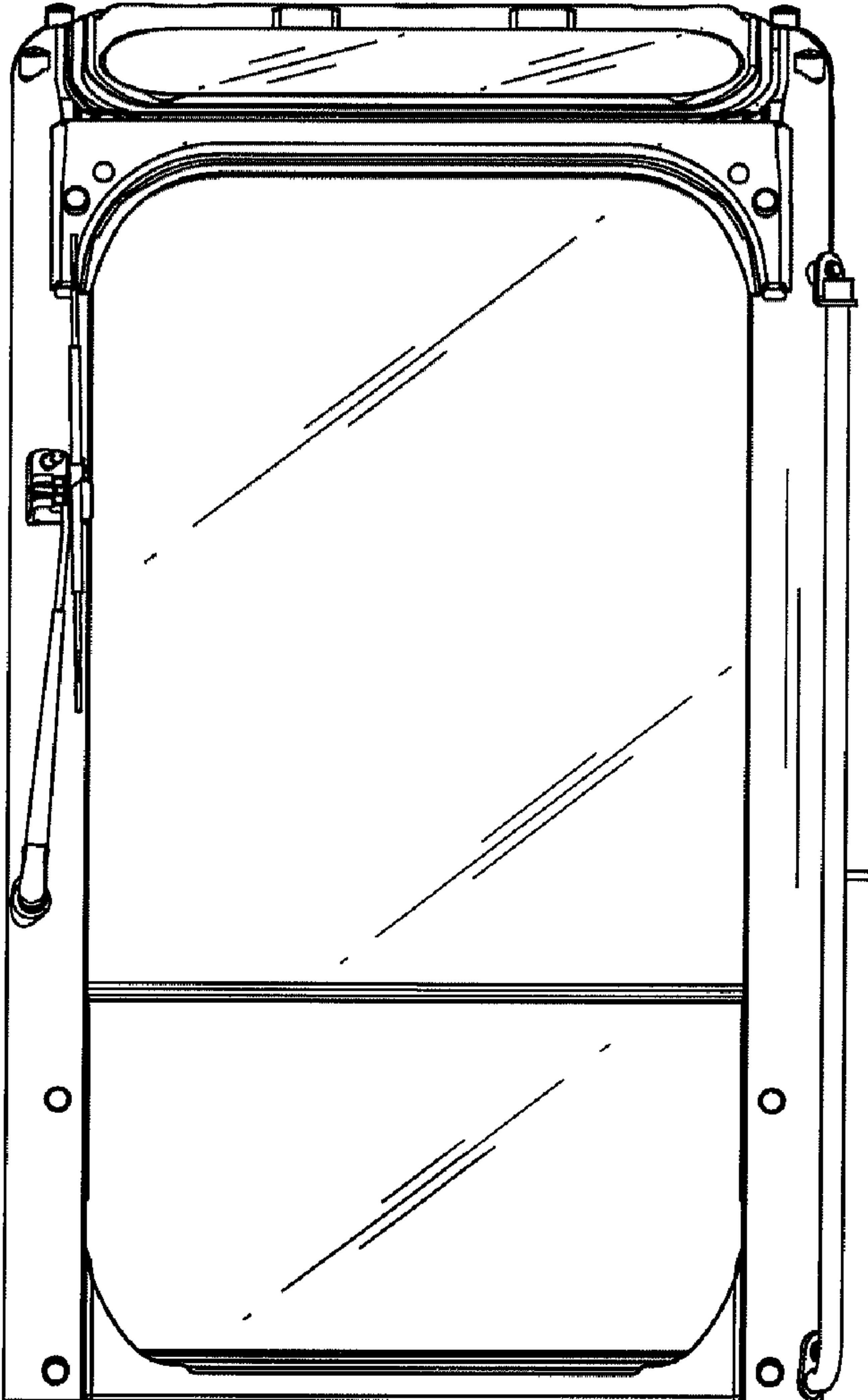


FIG.5

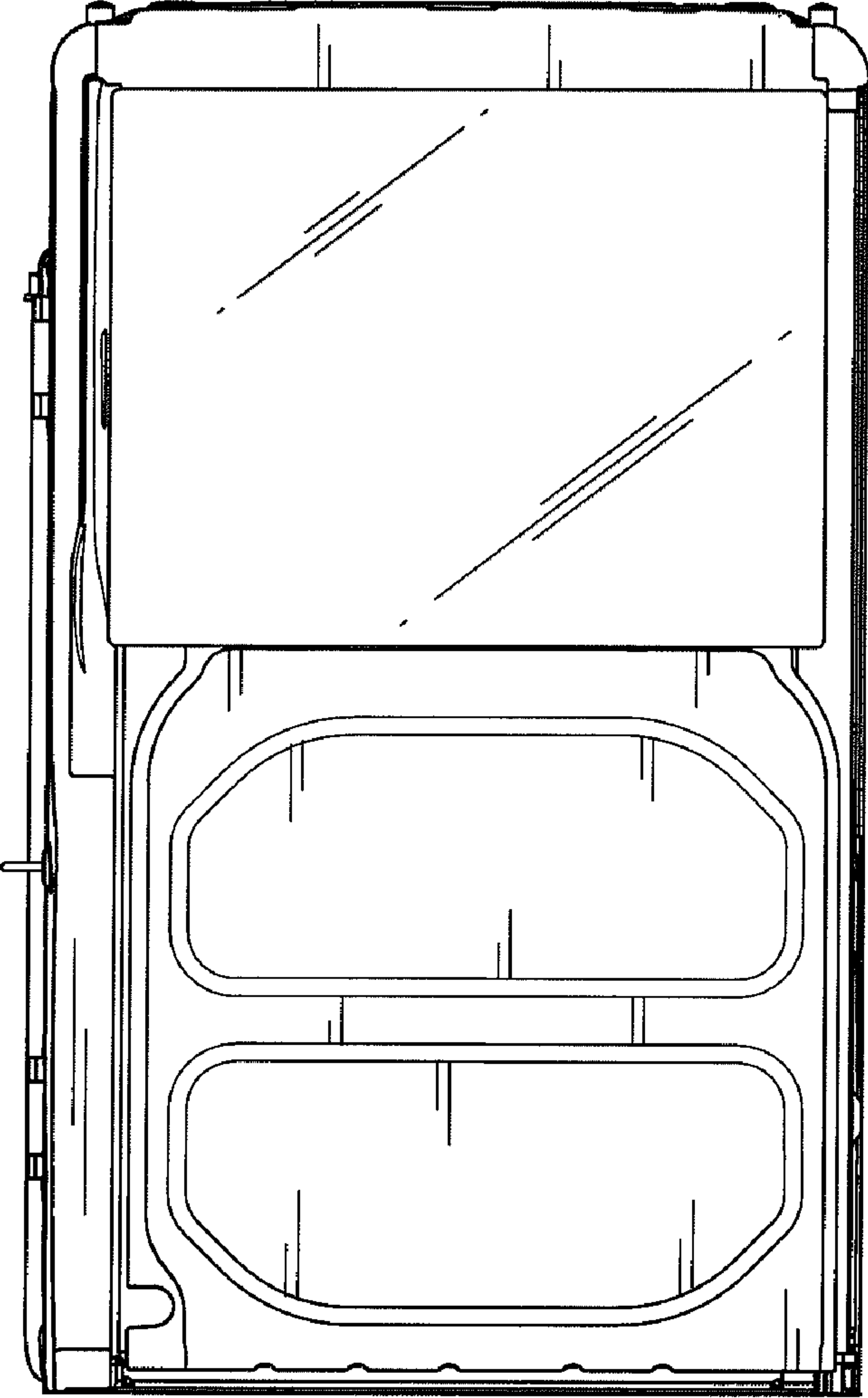


FIG.6

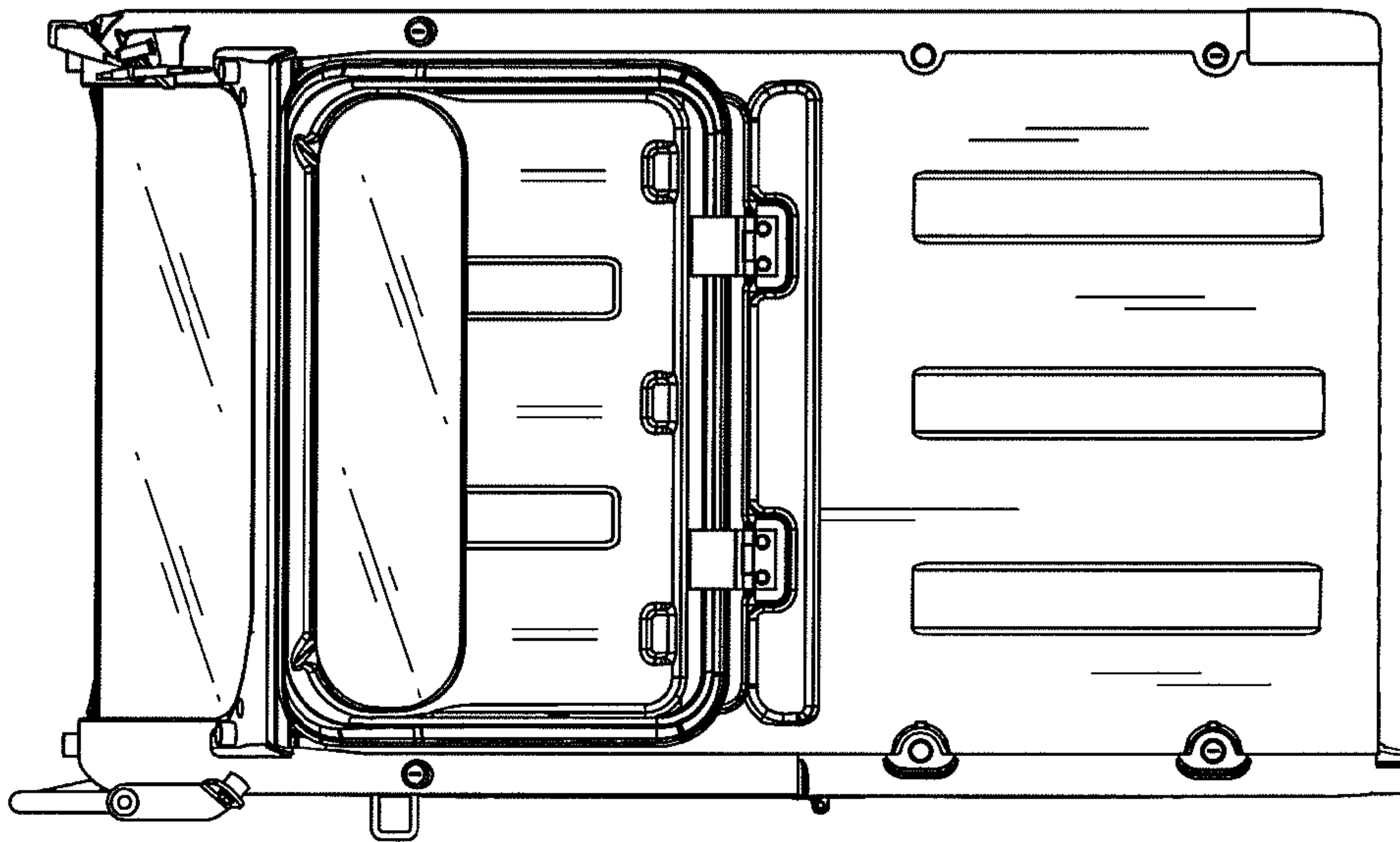


FIG.7

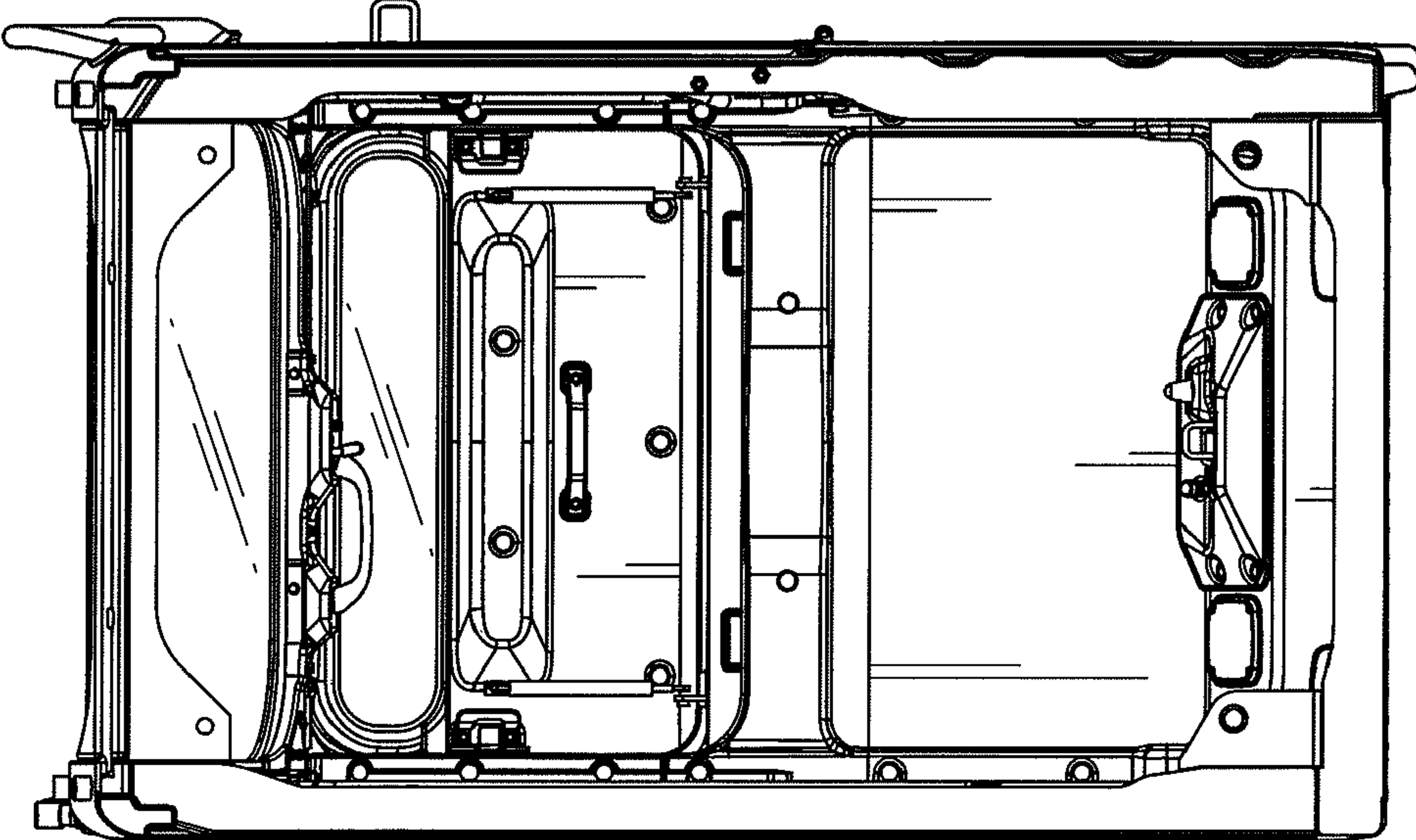


FIG.8