



US00D637629S

(12) **United States Design Patent**
Clark

(10) **Patent No.:** **US D637,629 S**

(45) **Date of Patent:** **** May 10, 2011**

(54) **CHISEL TOOL FOR DEMOLITION HAMMER**

(76) Inventor: **Alex Clark**, Hingham, MA (US)

(**) Term: **14 Years**

(21) Appl. No.: **29/370,289**

(22) Filed: **Jun. 28, 2010**

(51) **LOC (9) Cl.** **15-03**

(52) **U.S. Cl.** **D15/29; D15/21**

(58) **Field of Classification Search** D15/28,
D15/29, 21, 139; D8/20, 70, 47; 175/320,
175/56, 415; 30/167, 168; 299/100; 181/207;
173/DIG. 2, 91; 188/268; 81/27, 463, 275
See application file for complete search history.

(56) **References Cited**

U.S. PATENT DOCUMENTS

D24,269	S	*	4/1895	Flynn et al.	D15/29
D29,296	S	*	8/1898	Kramer	D15/21
D35,447	S	*	12/1901	Getchell et al.	D15/139
D137,744	S	*	4/1944	Gunderson	D8/47
2,475,041	A	*	7/1949	Mattson	173/132
2,989,130	A	*	6/1961	Mathewson, Jr. et al.	175/56
3,042,126	A	*	7/1962	Craig	175/385
3,043,002	A	*	7/1962	Brown	29/426.4
3,047,082	A	*	7/1962	Brown	175/415
D198,396	S	*	6/1964	Wiseman	D15/139
3,258,295	A	*	6/1966	Ives et al.	299/100
3,779,567	A	*	12/1973	Boyd	279/19.1

3,842,942	A	*	10/1974	Jensen et al.	181/207
3,856,107	A	*	12/1974	Rabett	181/207
4,030,553	A	*	6/1977	Rockwell	173/1
4,296,830	A	*	10/1981	Rossander et al.	181/208
D289,252	S	*	4/1987	Albright et al.	D8/70
6,000,888	A	*	12/1999	Hartman	408/239 R
7,013,984	B2	*	3/2006	Atkinson et al.	173/1
D520,035	S	*	5/2006	Kammerer	D15/139
D572,736	S	*	7/2008	Chiang	D15/139
D585,918	S	*	2/2009	Chiang	D15/139

* cited by examiner

Primary Examiner — Mark A Goodwin

(74) *Attorney, Agent, or Firm* — Bay State IP; Adam J. Bruno

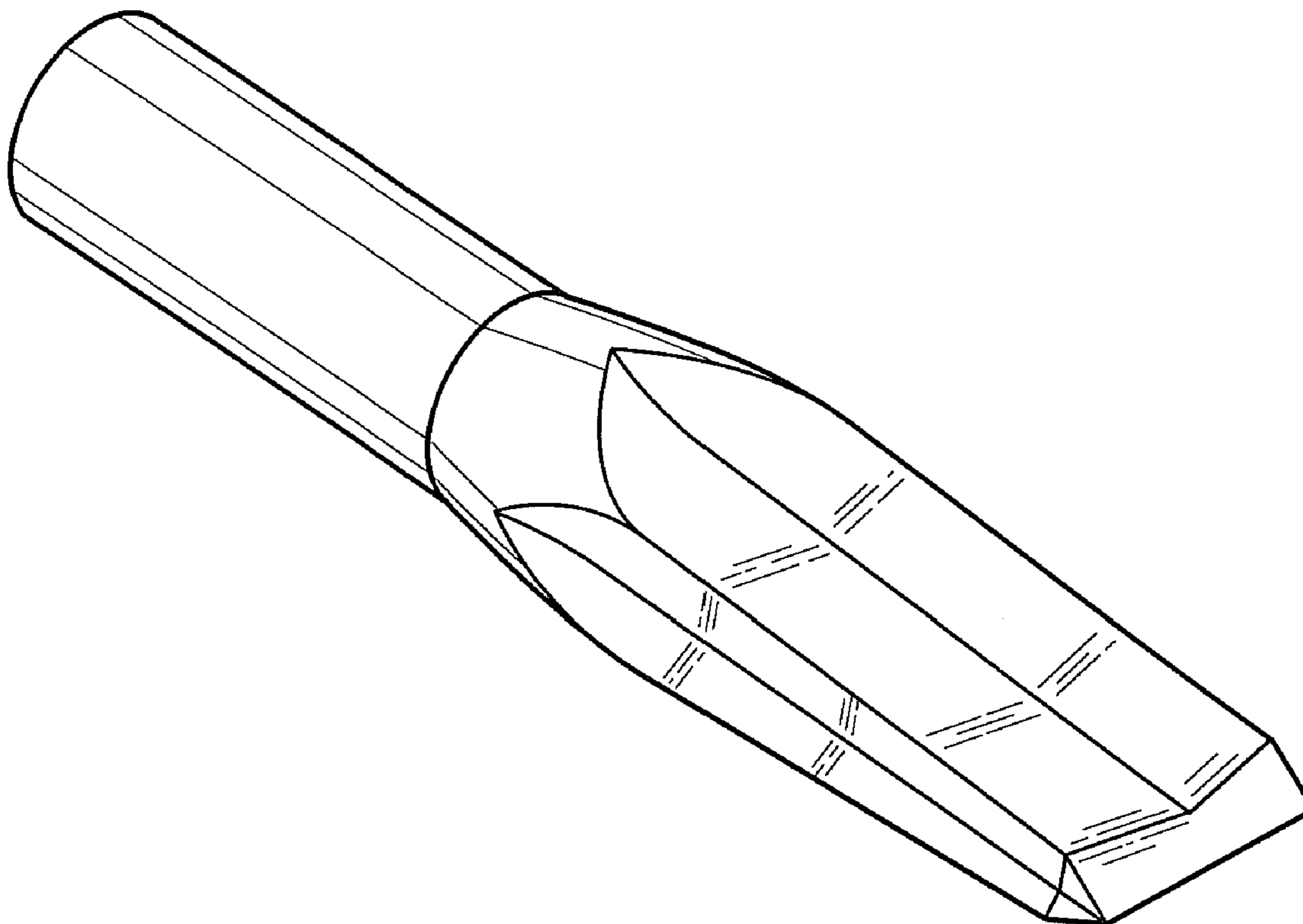
(57) **CLAIM**

The ornamental design for a chisel tool for a demolition hammer, as shown and described.

DESCRIPTION

FIG. 1 is a perspective view of the chisel tool for demolition hammer, showing my new design;
FIG. 2 is a bottom plan view thereof;
FIG. 3 is a top plain view thereof;
FIG. 4 is a right side view thereof;
FIG. 5 is a left side view of the chisel tool for demolition hammer;
FIG. 6 is a front view thereof; and,
FIG. 7 is a rear view thereof.

1 Claim, 3 Drawing Sheets



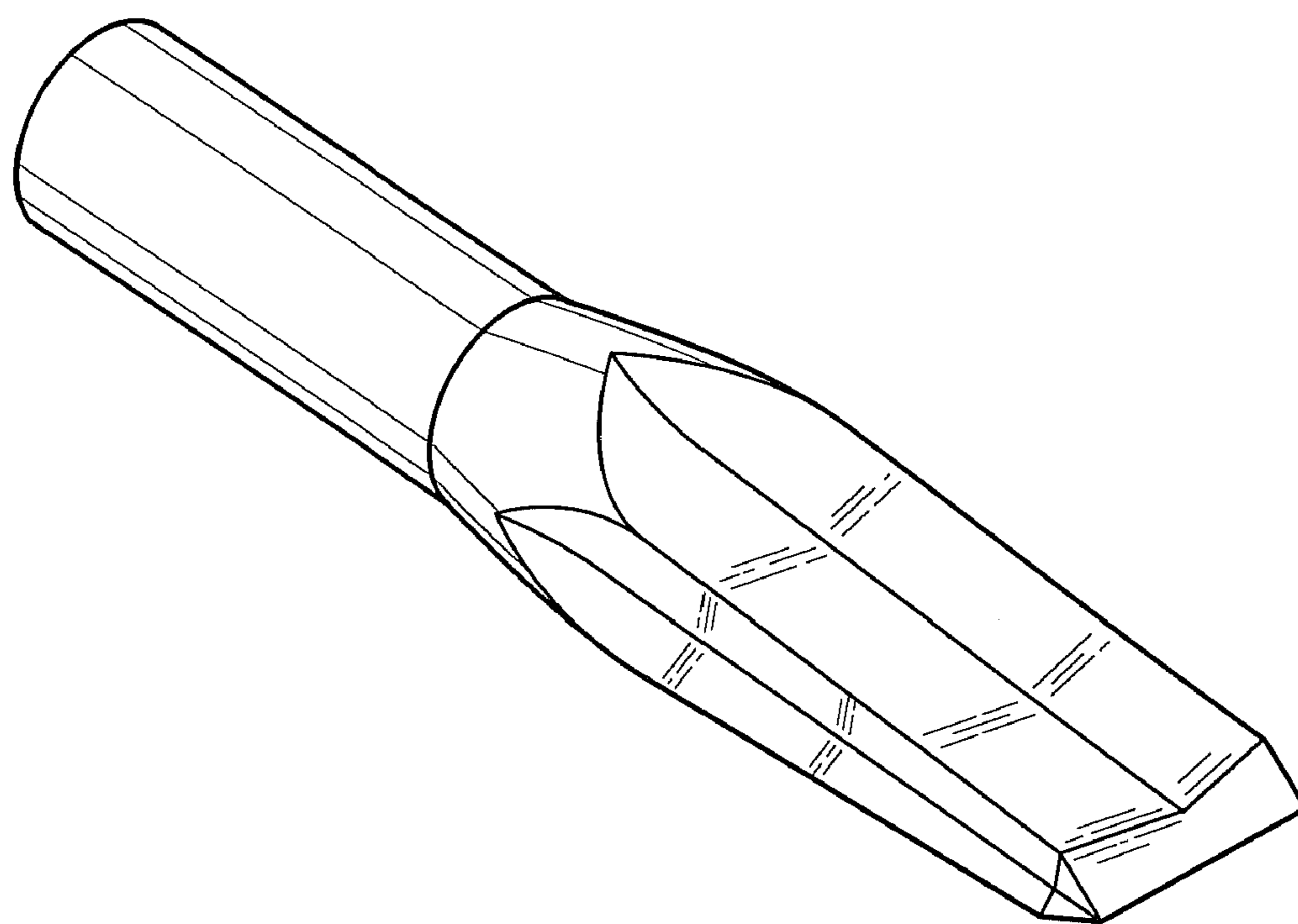


FIG. 1

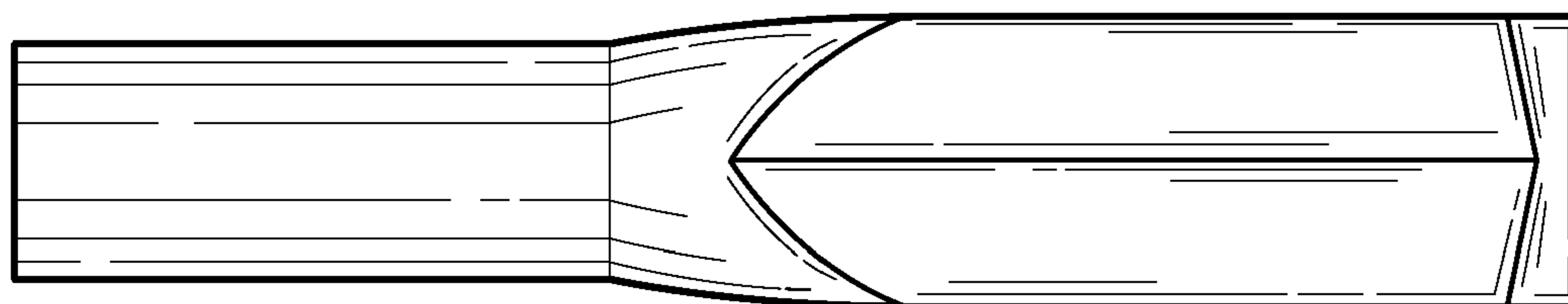


FIG. 2

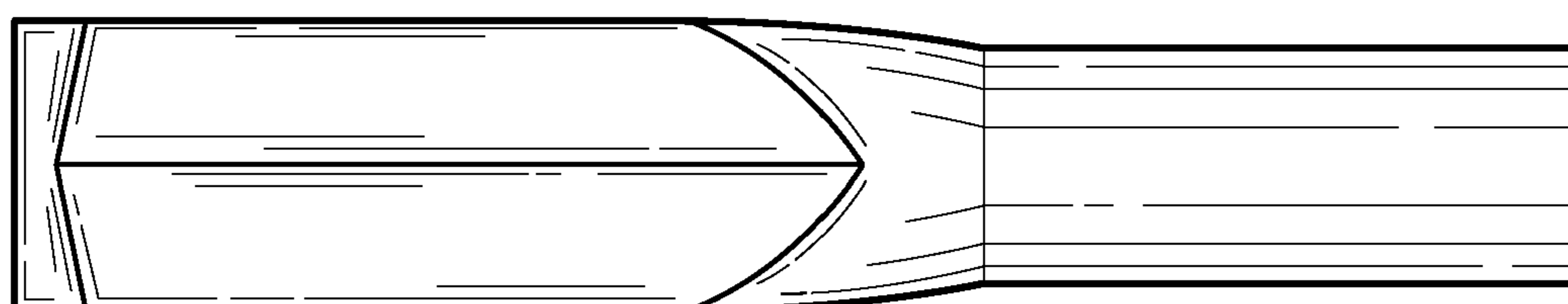


FIG. 3

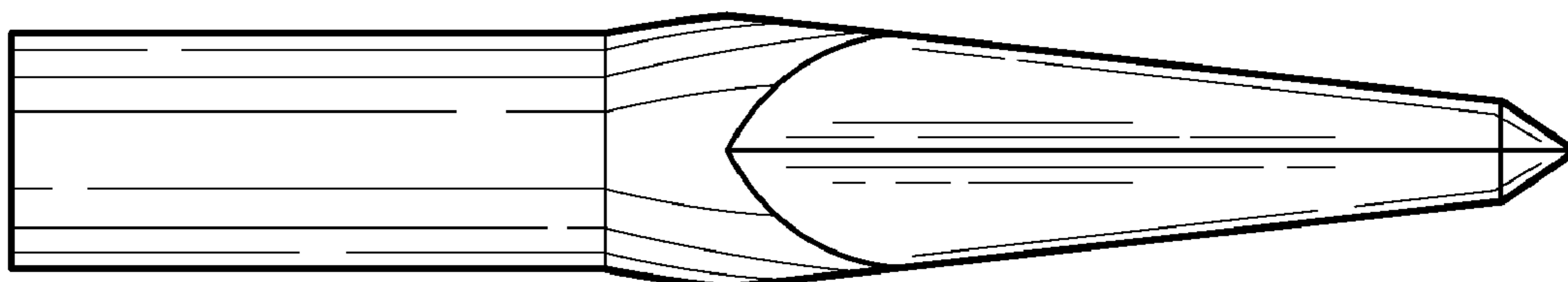


FIG. 4

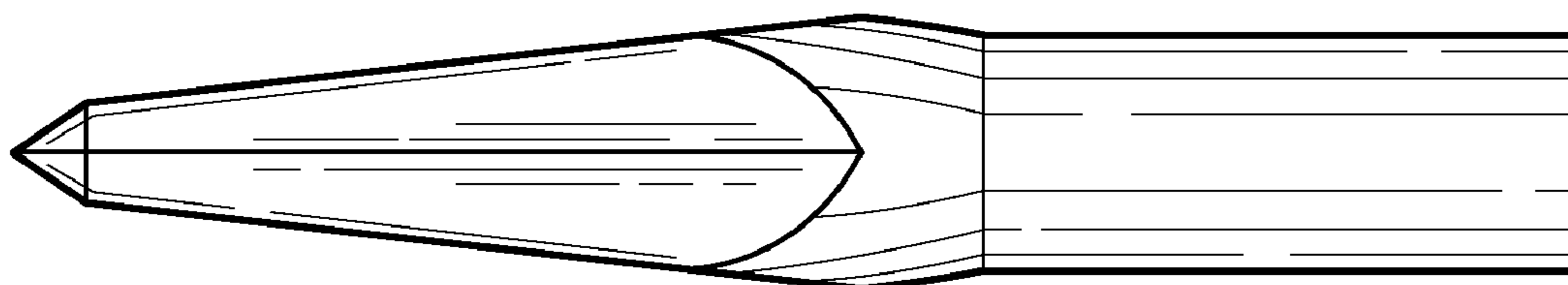


FIG. 5

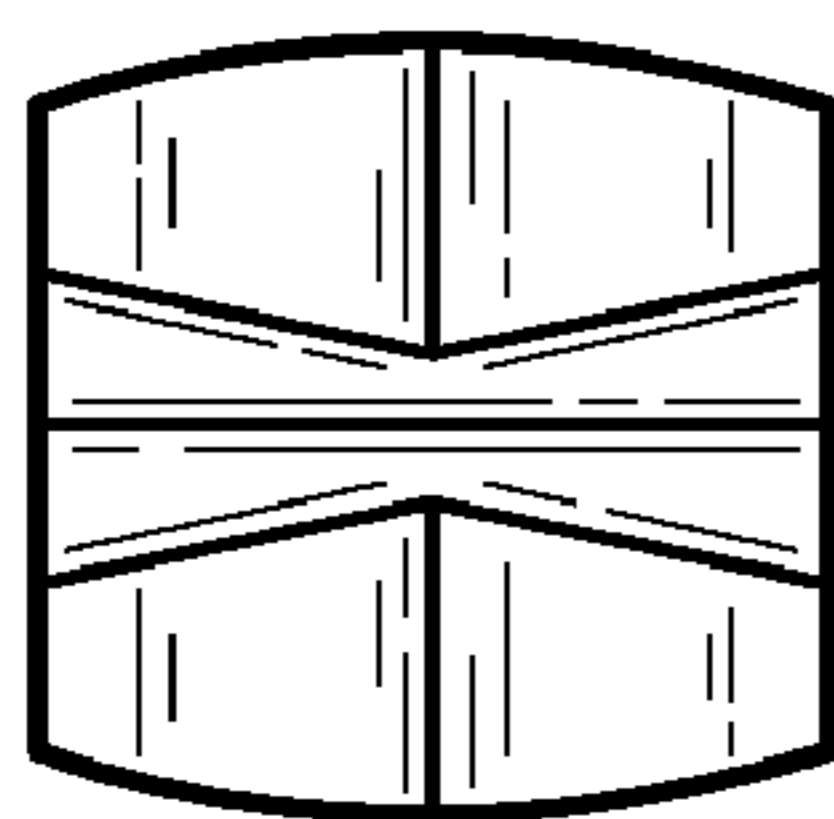


FIG. 6

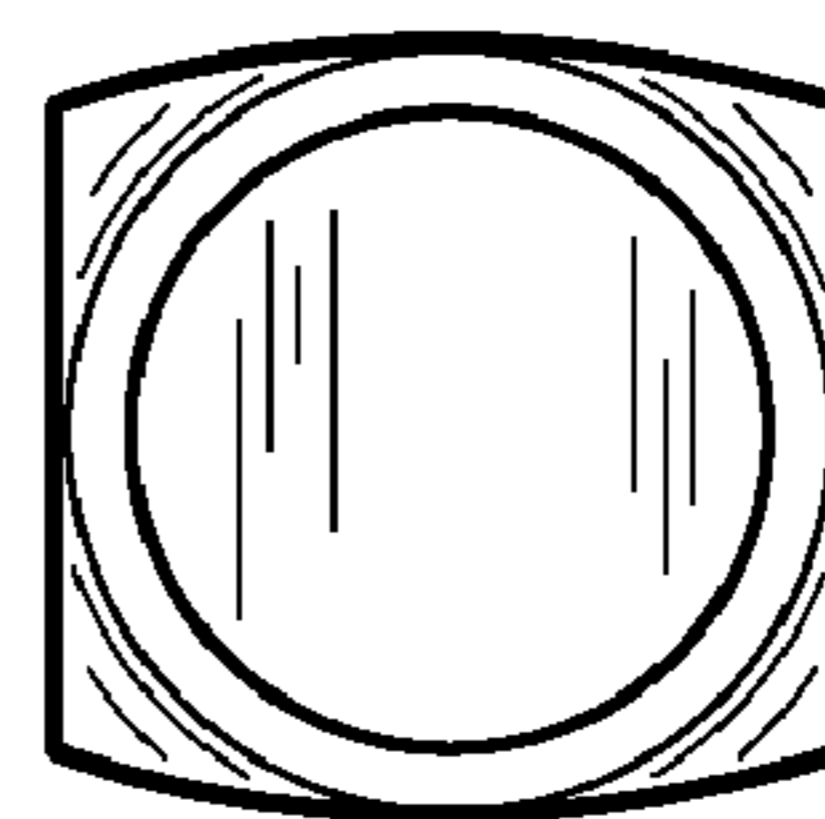


FIG. 7