



US00D637627S

(12) **United States Design Patent**  
**Ijiri**

(10) **Patent No.:** **US D637,627 S**

(45) **Date of Patent:** **\*\* May 10, 2011**

(54) **RUBBER CRAWLER**

(75) Inventor: **Masaaki Ijiri**, Tokyo (JP)

(73) Assignee: **Bridgestone Corporation**, Tokyo (JP)

(\*\*) Term: **14 Years**

(21) Appl. No.: **29/369,923**

(22) Filed: **Sep. 15, 2010**

(30) **Foreign Application Priority Data**

Mar. 16, 2010 (JP) ..... 2010-006412

(51) **LOC (9) Cl.** ..... **15-03**

(52) **U.S. Cl.** ..... **D15/28**

(58) **Field of Classification Search** ..... D15/22-26,  
D15/28; D21/491, 495, 537, 431, 484; 152/108,  
152/62, 88; 305/35, 44, 160, 185, 53, 201,  
305/46, 50, 196, 198, 200, 39, 162, 187,  
305/191, 189

See application file for complete search history.

(56) **References Cited**

**U.S. PATENT DOCUMENTS**

D302,017 S *	7/1989	Grawey et al. ....	D15/28
D309,314 S *	7/1990	Grawey et al. ....	D15/28
D454,890 S *	3/2002	Tsuru ..... ..	D15/28
D455,444 S *	4/2002	Tsuru ..... ..	D15/28
6,402,268 B1 *	6/2002	Lussier ..... ..	305/165
D472,249 S *	3/2003	Thomas ..... ..	D15/28
D472,561 S *	4/2003	Thomas ..... ..	D15/28
D473,243 S *	4/2003	Thomas ..... ..	D15/28
D474,205 S *	5/2003	Feldmann ..... ..	D15/28
D484,515 S *	12/2003	Nishimura ..... ..	D15/28
D496,051 S *	9/2004	Yoshida ..... ..	D15/28
6,929,335 B2 *	8/2005	Colwell et al. ....	305/194
D514,133 S *	1/2006	Fujita ..... ..	D15/28
7,090,312 B2 *	8/2006	Soucy et al. ....	305/160
7,114,788 B2 *	10/2006	Deland et al. ....	305/157
D543,218 S *	5/2007	Yoshida ..... ..	D15/28
D549,244 S *	8/2007	Noel ..... ..	D15/28
D549,741 S *	8/2007	Tateishi ..... ..	D15/28

D557,713 S *	12/2007	Sugihara ..... ..	D15/28
D561,786 S *	2/2008	Tateishi ..... ..	D15/28
D569,393 S *	5/2008	Tateishi ..... ..	D15/28
D575,805 S *	8/2008	Sugihara ..... ..	D15/28
D588,167 S *	3/2009	Shimozono ..... ..	D15/28
D588,169 S *	3/2009	Hagio ..... ..	D15/28
D602,962 S *	10/2009	Miyamoto et al. ....	D15/28
D613,774 S *	4/2010	Mizusawa ..... ..	D15/28
D615,105 S *	5/2010	Abiko ..... ..	D15/28
D615,106 S *	5/2010	Shimozono ..... ..	D15/28
D617,816 S *	6/2010	Abiko ..... ..	D15/28
D618,254 S *	6/2010	Shimozono ..... ..	D15/28
D618,710 S *	6/2010	Abiko ..... ..	D15/28
D626,973 S *	11/2010	Shimozono ..... ..	D15/28
2007/0252433 A1 *	11/2007	Fujita ..... ..	305/46
2009/0218882 A1 *	9/2009	Rowbottom et al. ....	305/158

\* cited by examiner

*Primary Examiner* — Mark A Goodwin

(74) *Attorney, Agent, or Firm* — Sughrue Mion, PLLC

(57) **CLAIM**

The ornamental design for a rubber crawler, as shown and described.

**DESCRIPTION**

FIG. 1 is a front view of a rubber crawler showing my new design.

FIG. 2 is a perspective view thereof;

FIG. 3 is a rear view thereof;

FIG. 4 is a top view thereof;

FIG. 5 is a bottom view thereof;

FIG. 6 is a left side view thereof;

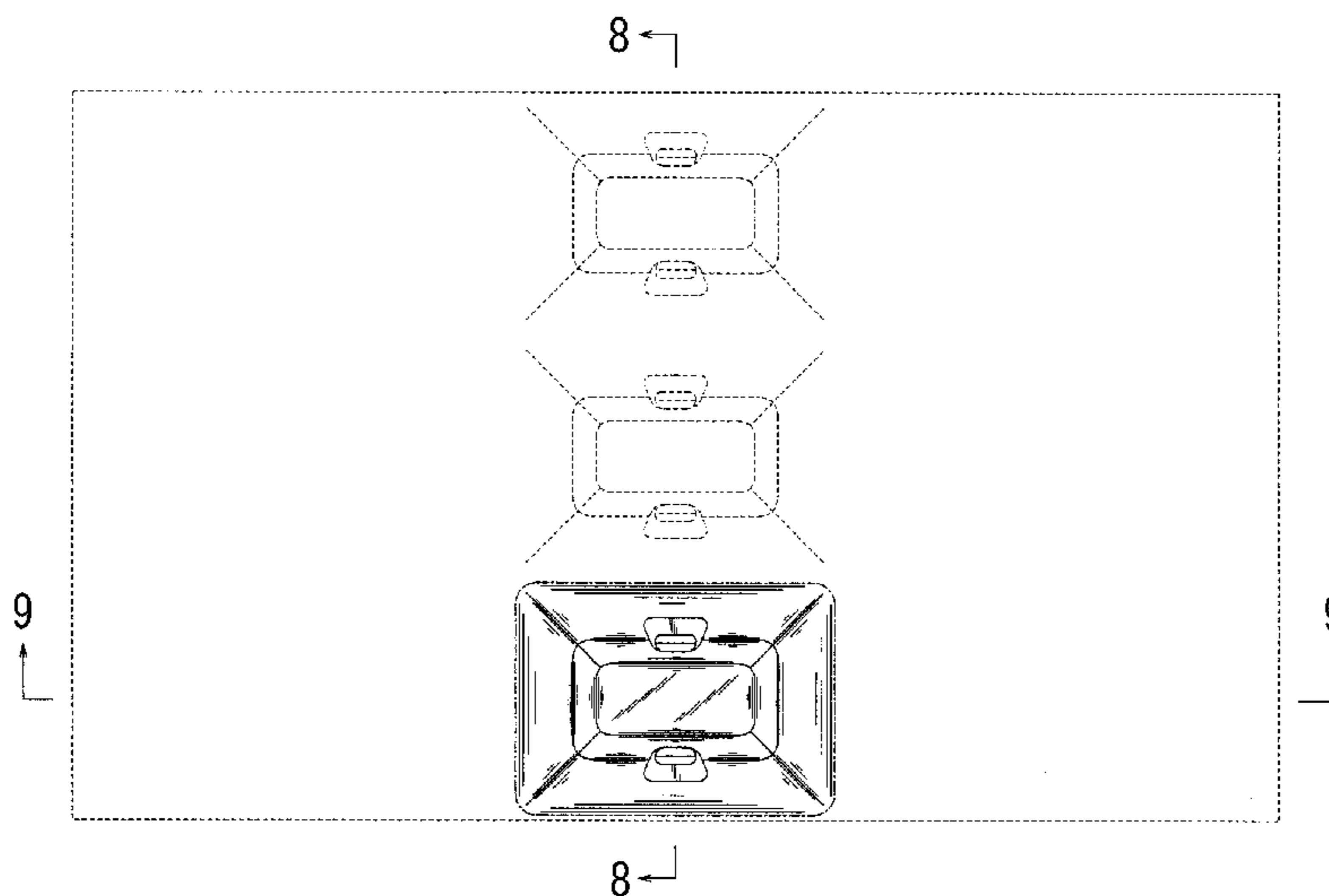
FIG. 7 is a right side view thereof;

FIG. 8 is a front central longitudinal cross-sectional view taken along line 8—8 of FIG. 1; and,

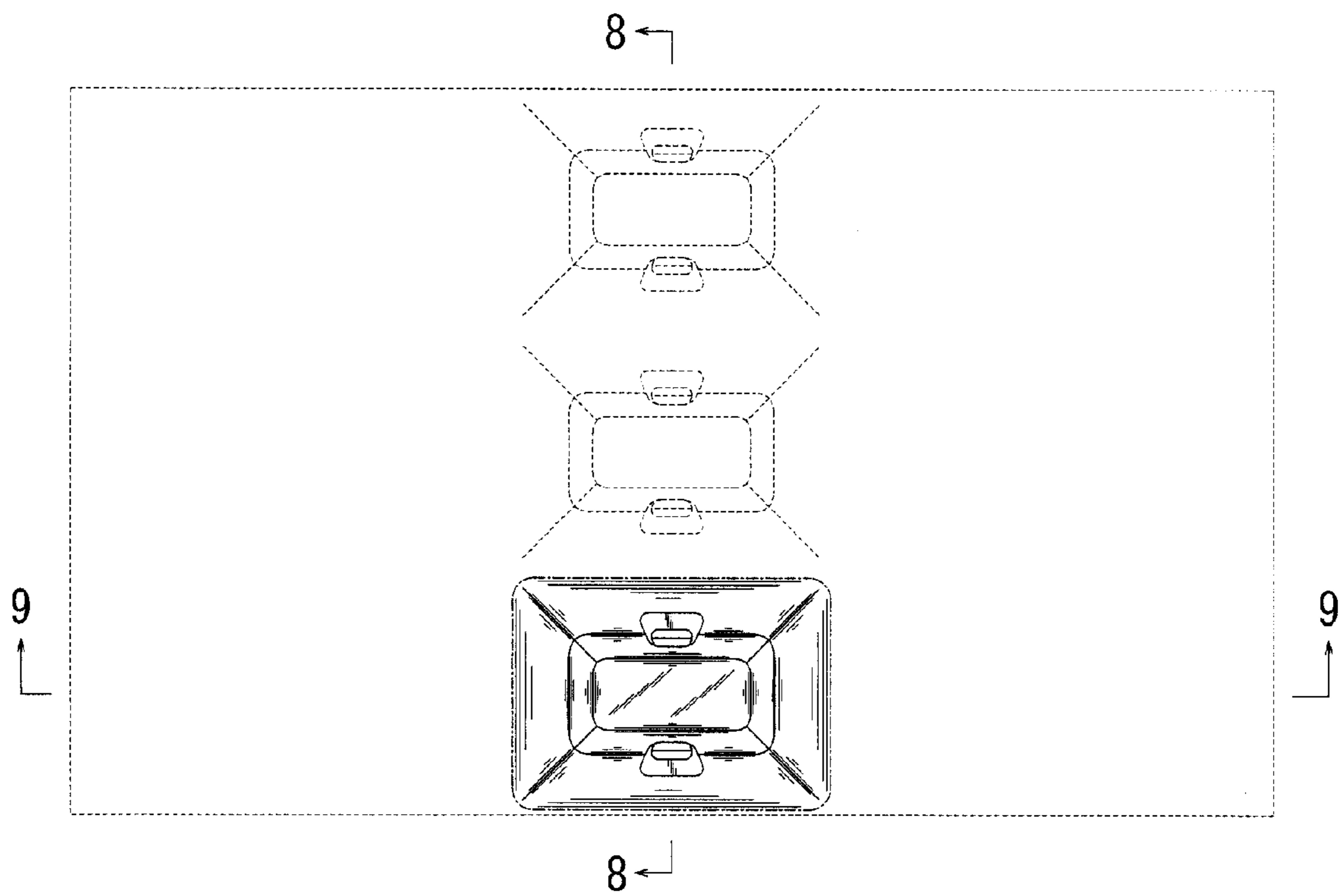
FIG. 9 is a part cross-sectional view taken along line 9—9 of FIG. 1.

The broken lines in the drawing figures show environmental structure only and form no part of the claimed design. The dash-dot-dash line in FIGS. 1 and 2 shows a border between claimed and unclaimed subject matter.

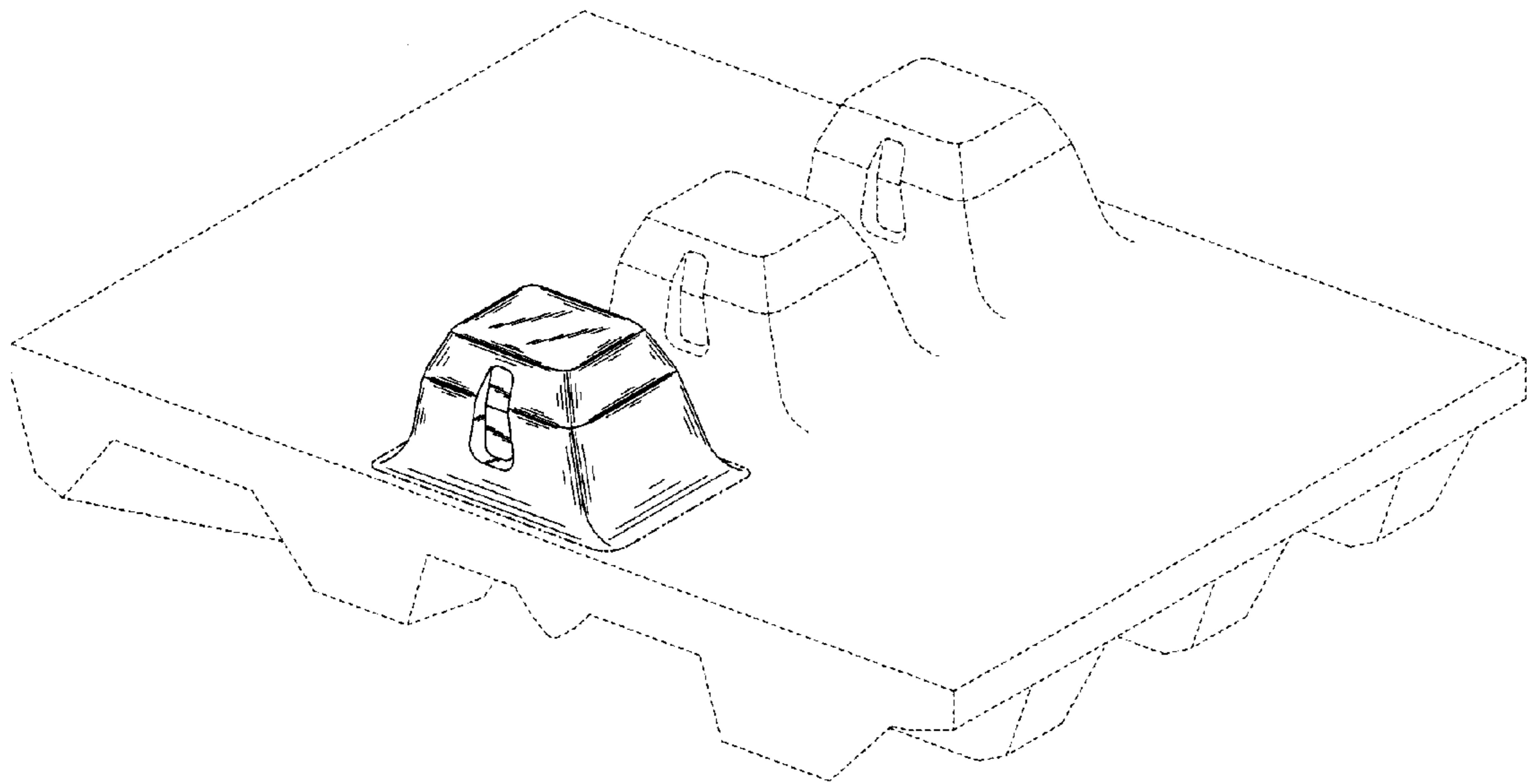
**1 Claim, 9 Drawing Sheets**



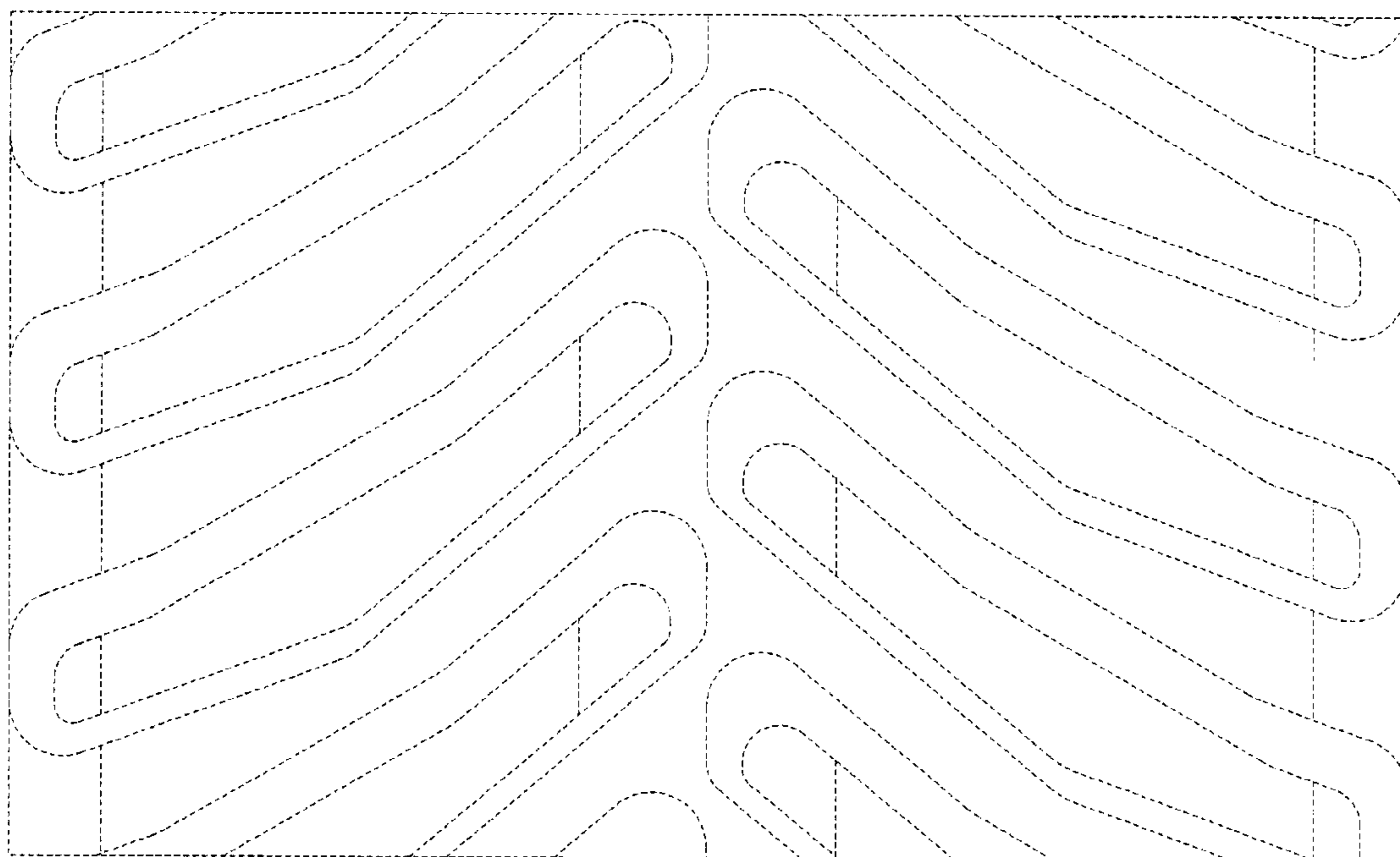
*FIG. 1*



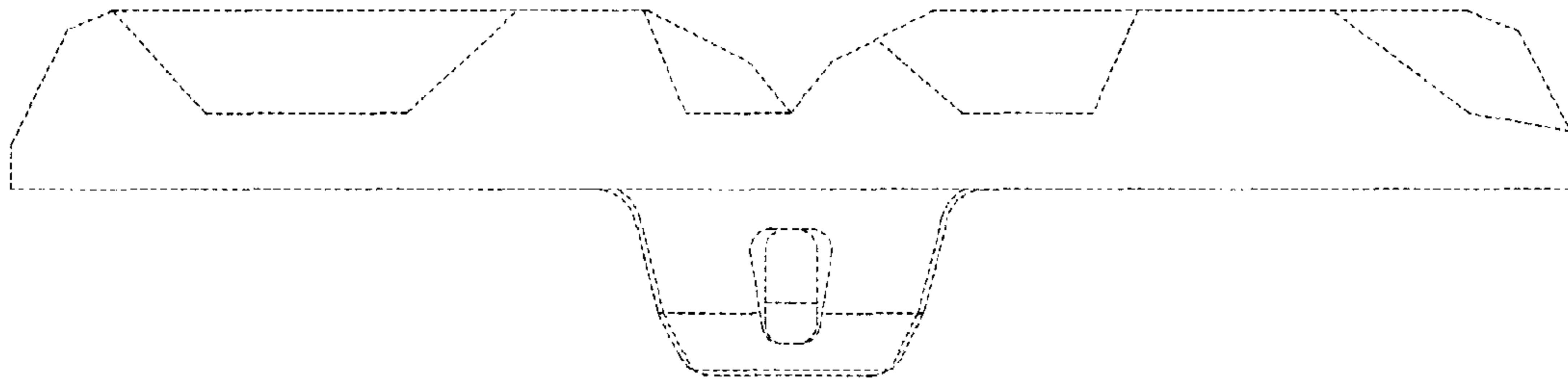
*FIG. 2*



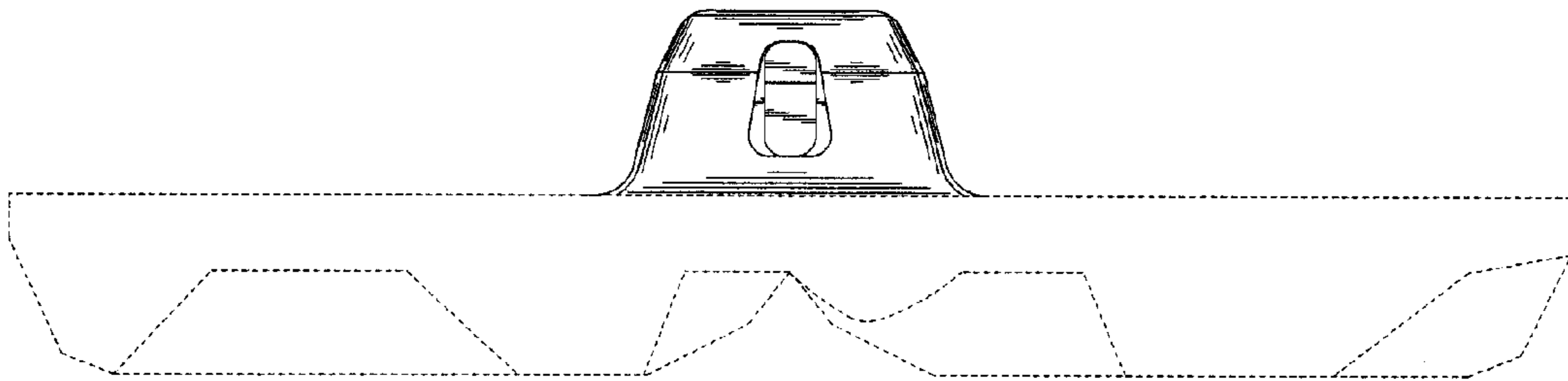
*FIG. 3*



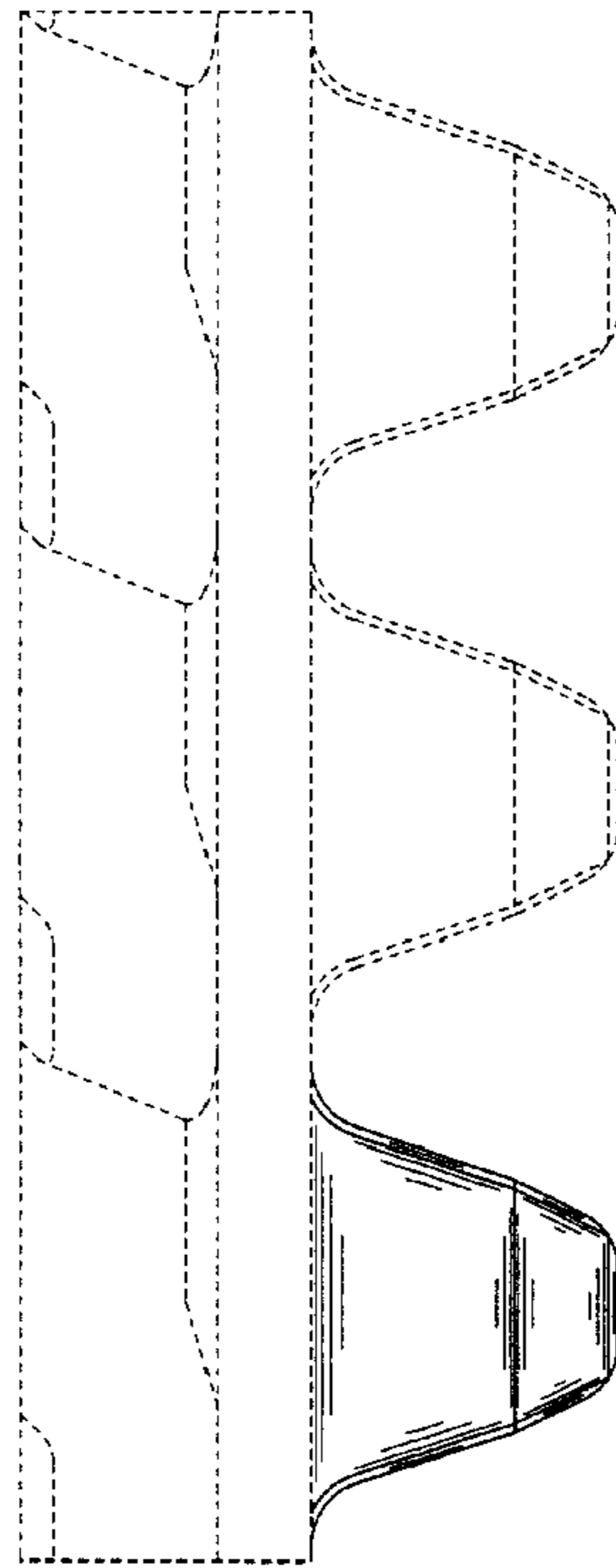
*FIG. 4*



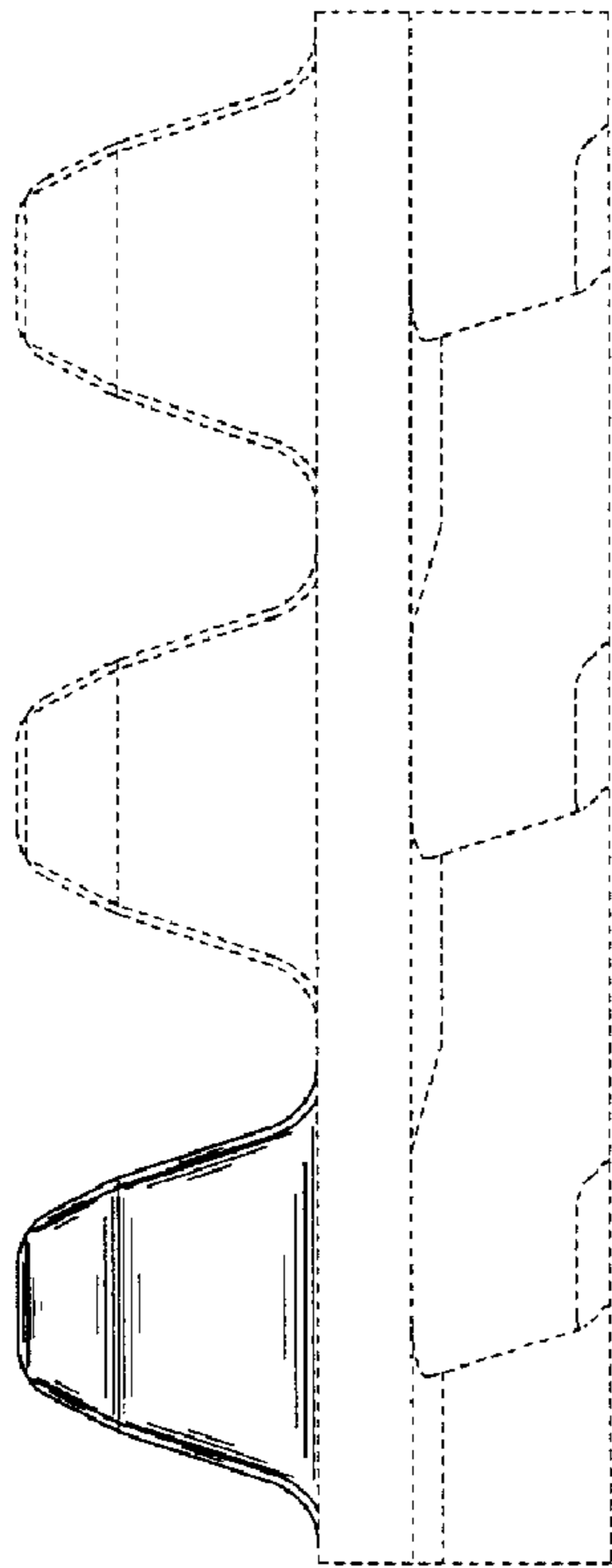
*FIG. 5*



*FIG. 6*

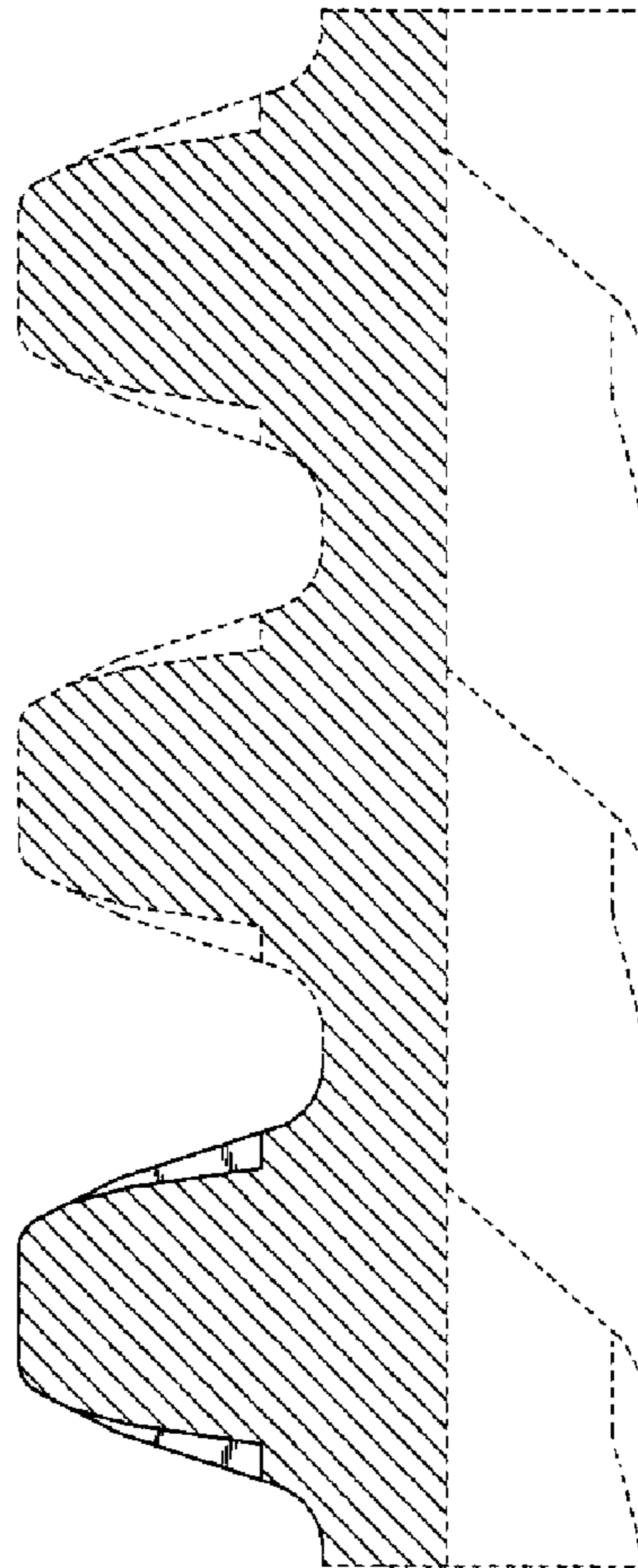


*FIG. 7*





*FIG. 8*



*FIG. 9*

