



US00D637625S

(12) **United States Design Patent**  
**Thunstrom et al.**

(10) **Patent No.:** **US D637,625 S**

(45) **Date of Patent:** **\*\* May 10, 2011**

(54) **ATHLETIC FIELD MAINTAINER**

(75) Inventors: **Troy D. Thunstrom**, Bloomington, MN (US); **Brian C. Bergquist**, Mound, MN (US); **Nathan G. Bergquist**, Mound, MN (US); **Sebastian P. Jacobson**, Coon Rapids, MN (US); **Carl L. Drase**, Columbia Heights, MN (US); **Rodney C. Boos**, Park Rapids, MN (US); **Ronald C. Ponath**, Plymouth, MN (US)

(73) Assignee: **Kromer Co. LLC**, Plymouth, MN (US)

(\*\*) Term: **14 Years**

(21) Appl. No.: **29/376,878**

(22) Filed: **Oct. 13, 2010**

(51) **LOC (9) Cl.** ..... **15-03**

(52) **U.S. Cl.** ..... **D15/15; D15/10**

(58) **Field of Classification Search** ..... D15/10, D15/14, 15, 22-26, 33; 180/69.2, 89.1, 89.12, 180/900, 273; 56/12.7, 15.8, 16.7, 13.3, 56/10.1, 202, 320.1, 320.2, 15.9, 255, 294  
See application file for complete search history.

(56) **References Cited**

**U.S. PATENT DOCUMENTS**

D203,454 S *	1/1966	Zurek	.....	D15/15
D205,042 S *	6/1966	Zurek	.....	D15/15
D213,124 S *	1/1969	Koeber et al.	.....	D15/15
D218,768 S *	9/1970	Schreckengost	.....	D15/15
D312,227 S *	11/1990	Miyamoto et al.	.....	D12/14
D325,183 S *	4/1992	Nishikawa et al.	.....	D12/14

D332,239 S *	1/1993	Hirata et al.	.....	D12/1
D345,741 S *	4/1994	Mullett et al.	.....	D15/23
D436,557 S *	1/2001	Selby et al.	.....	D12/14
D579,821 S *	11/2008	Bobbitt et al.	.....	D12/14

\* cited by examiner

*Primary Examiner* — Mark A Goodwin

(74) *Attorney, Agent, or Firm* — John D. Veldhuis-Kroeze; Westman, Champlin & Kelly, P.A.

(57) **CLAIM**

The ornamental design for an athletic field maintainer, as shown and described.

**DESCRIPTION**

FIG. 1 is a perspective view of the athletic field maintainer showing our new design.

FIG. 2 is a left side view of the athletic field maintainer.

FIG. 3 is a right side view of the athletic field maintainer.

FIG. 4 is a front elevational view of the athletic field maintainer.

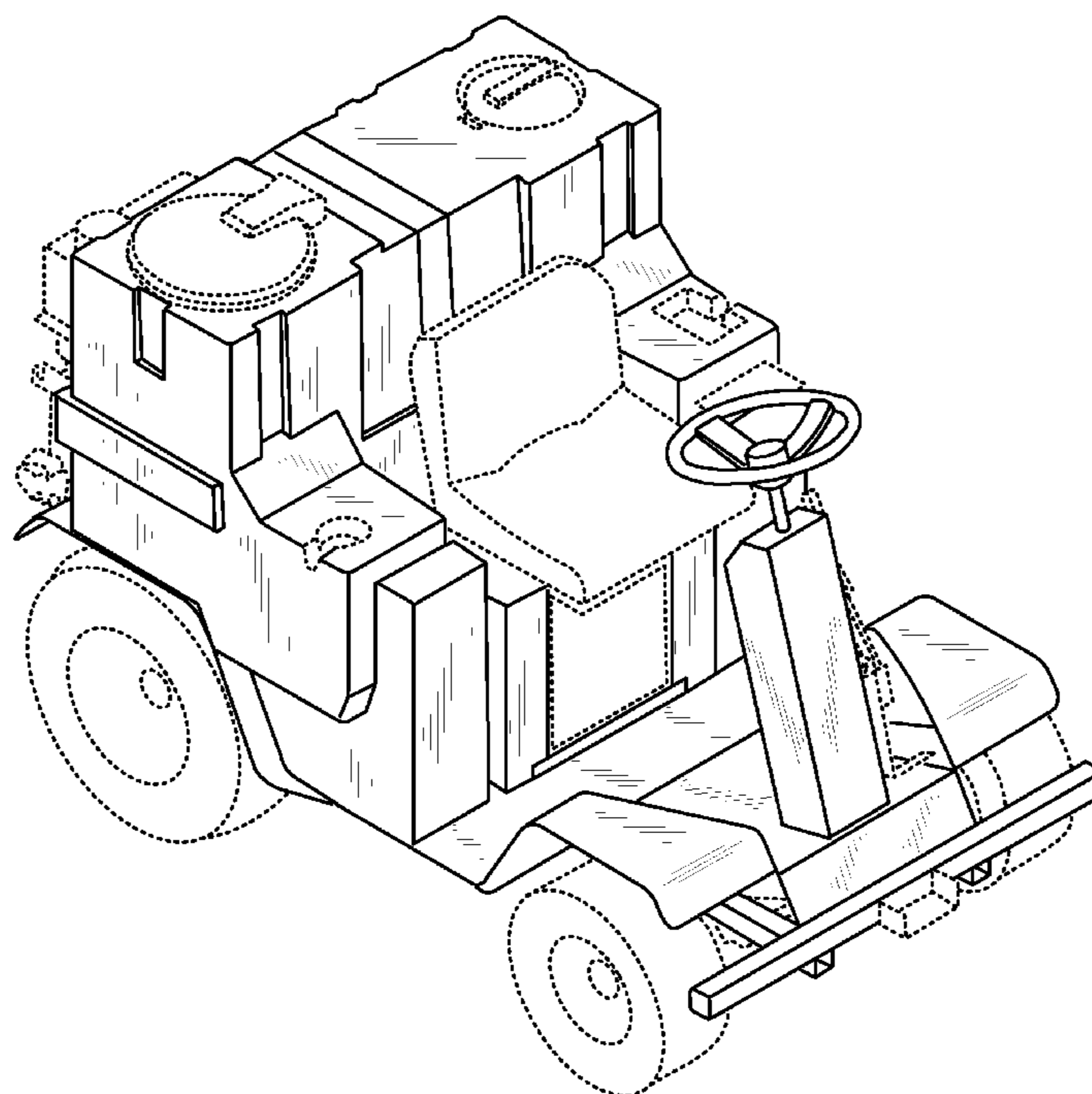
FIG. 5 is a rear elevational view of the athletic field maintainer; and,

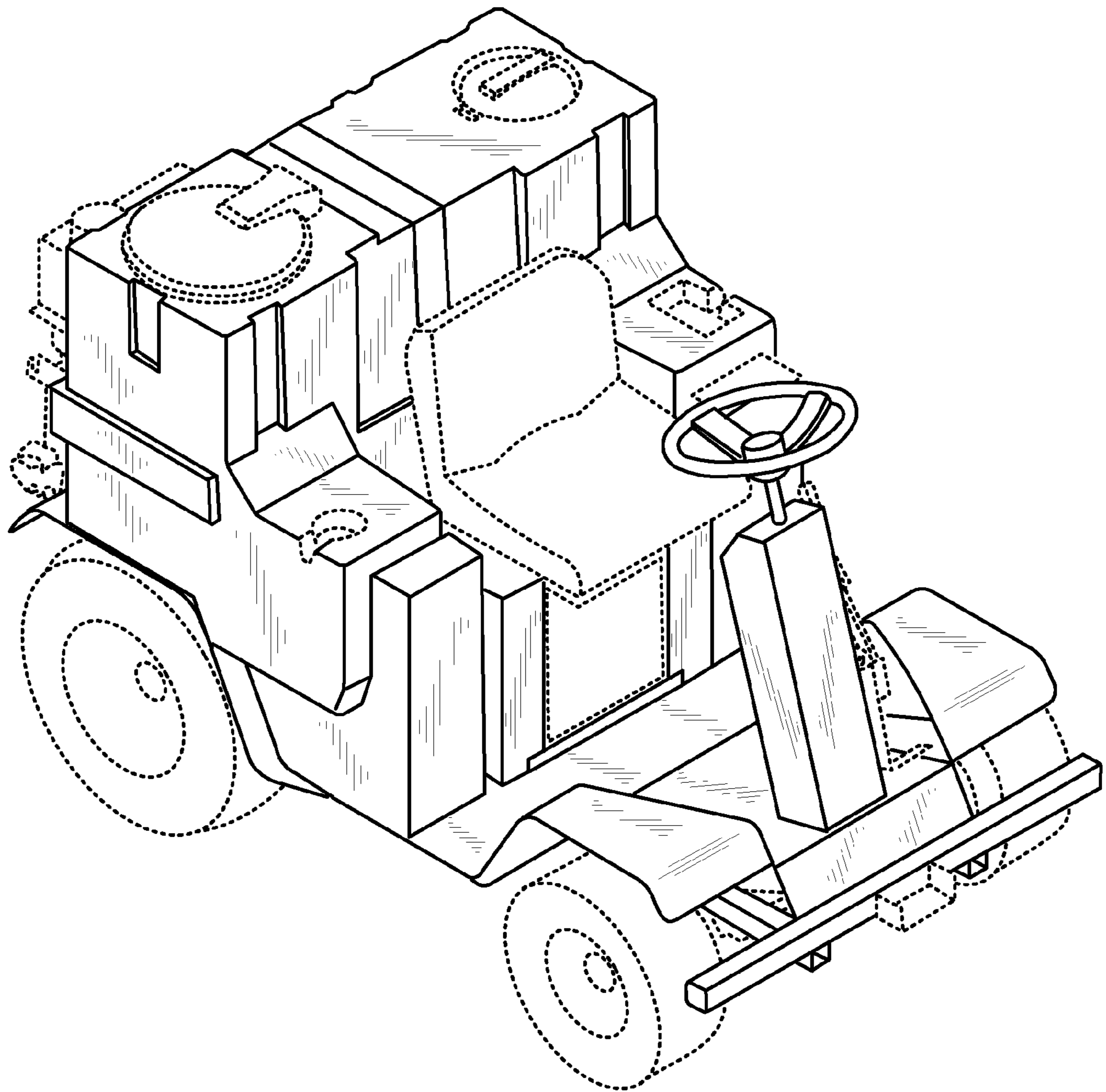
FIG. 6 is a top plan view of the athletic field maintainer.

A bottom view of the athletic field maintainer is omitted and is not claimed in this design.

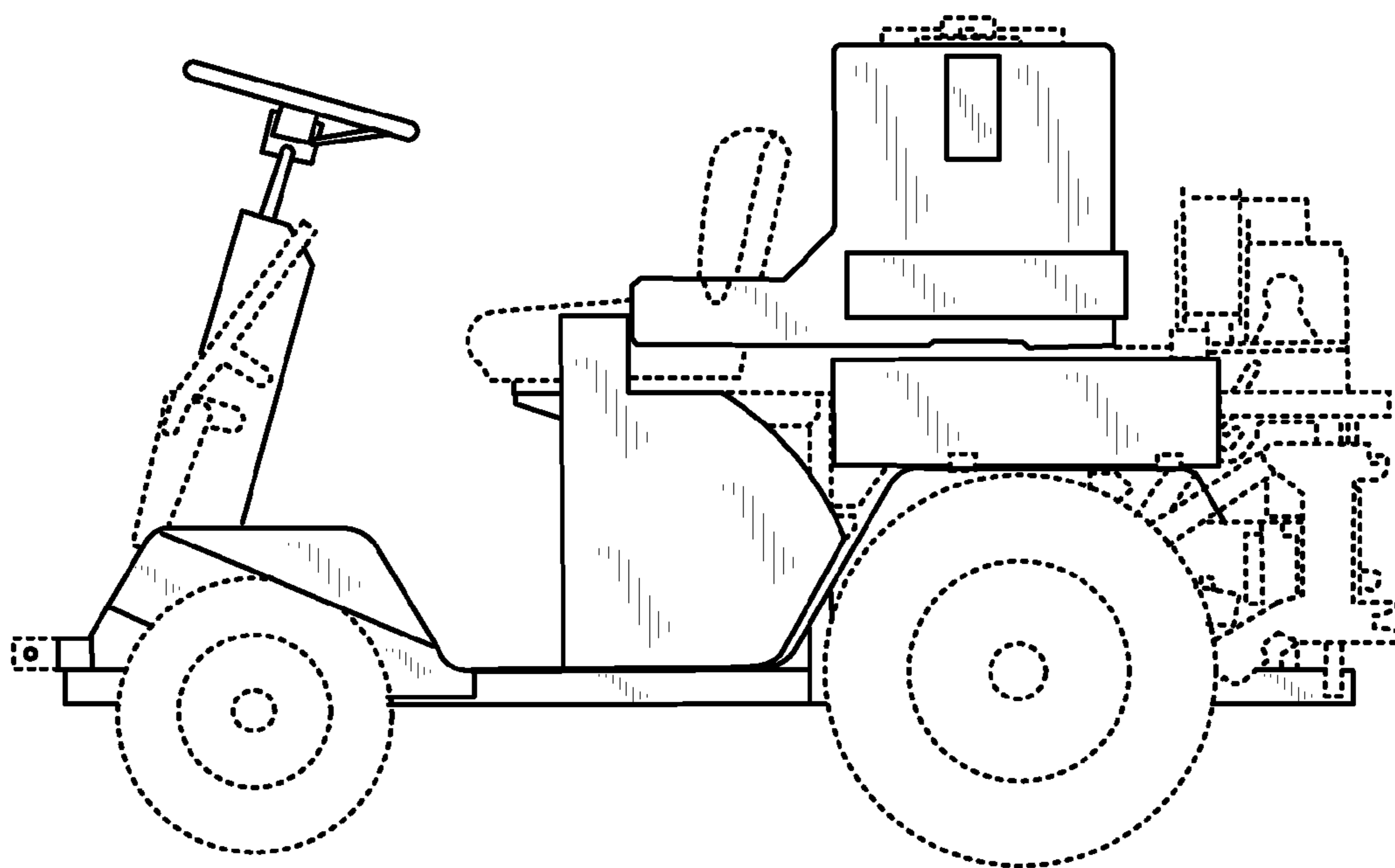
The broken lines of FIGS. 1-6 are included for the purpose of illustrating environmental structure and form no part of the claimed design.

**1 Claim, 4 Drawing Sheets**

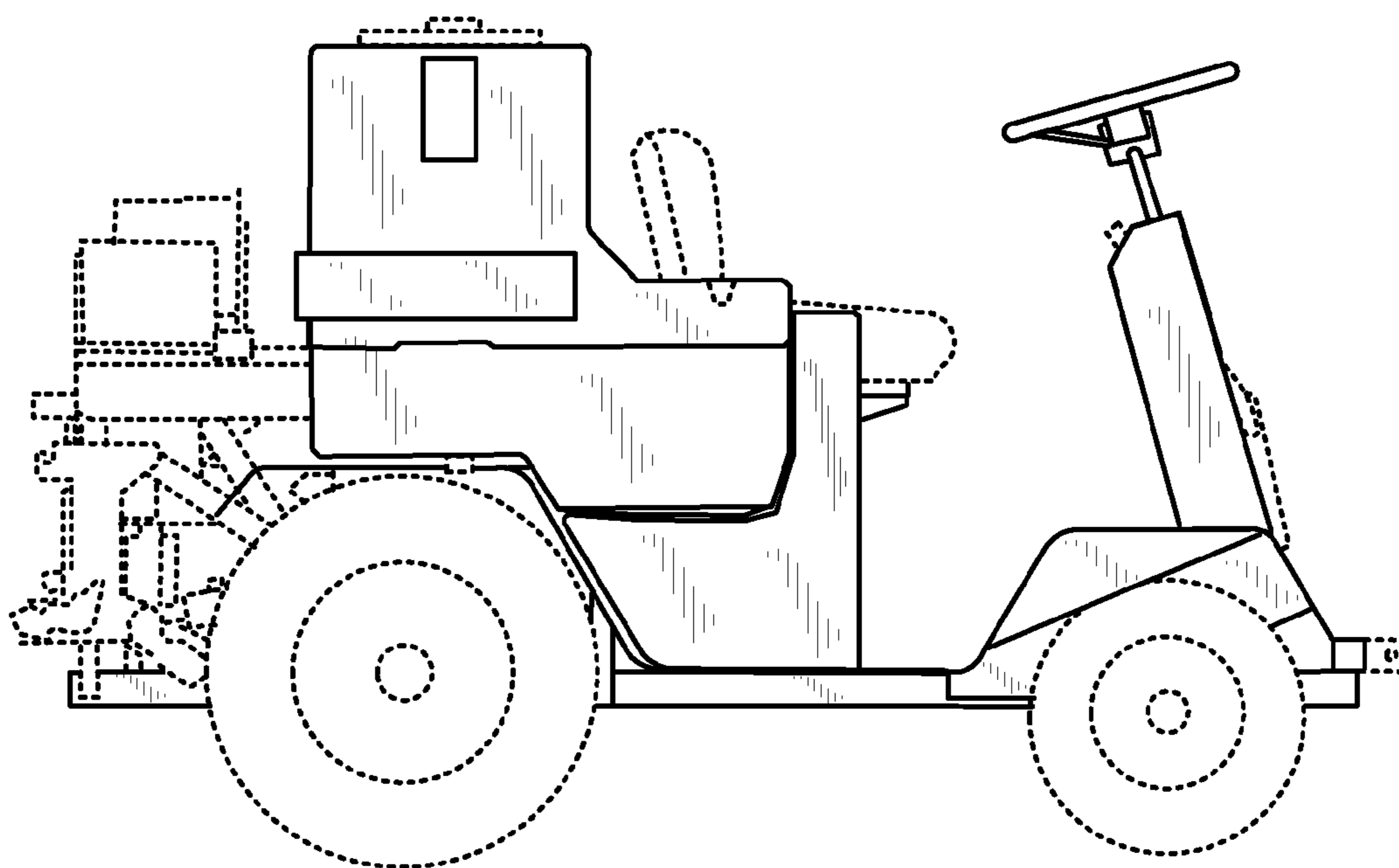




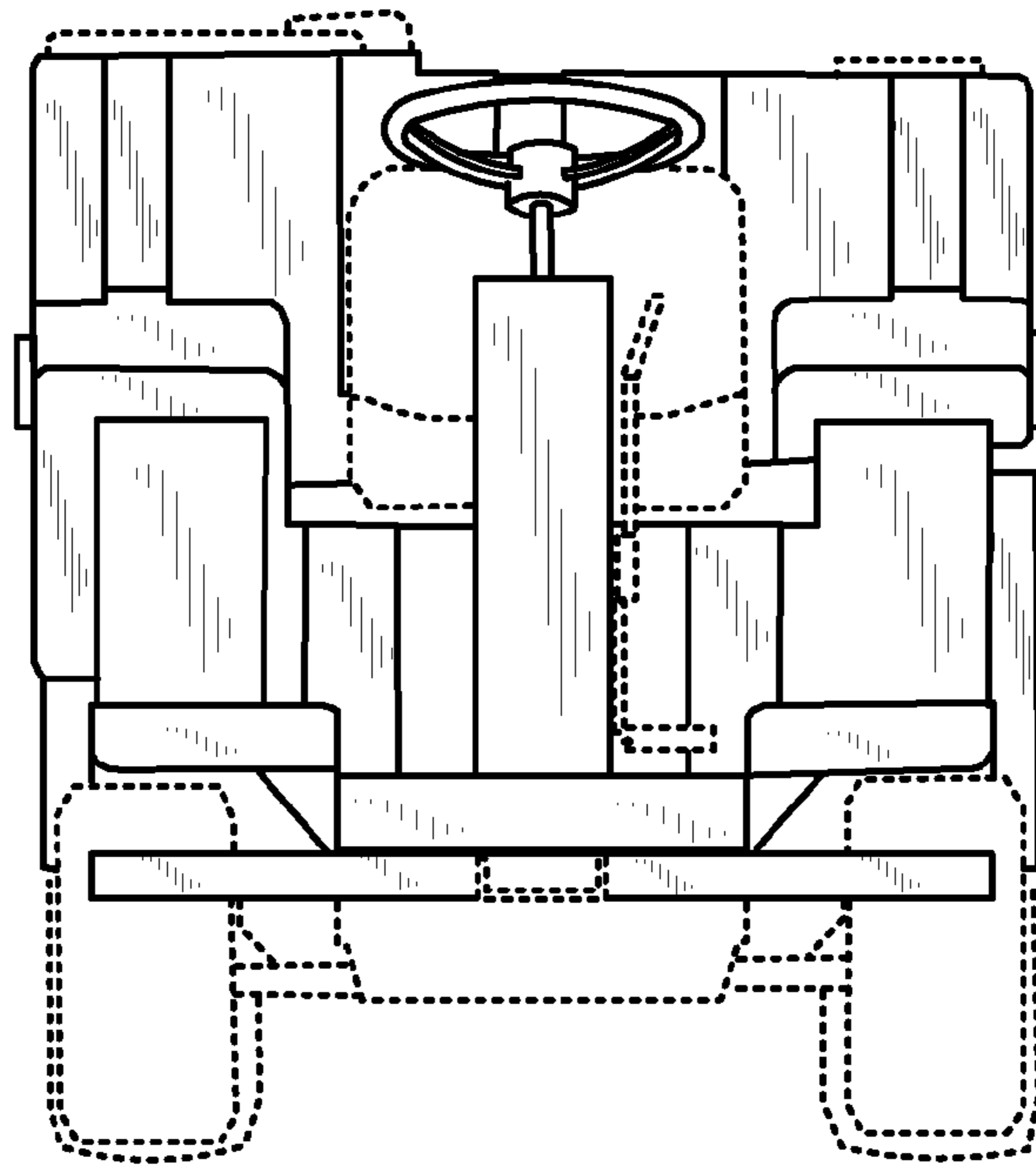
*FIG. 1*



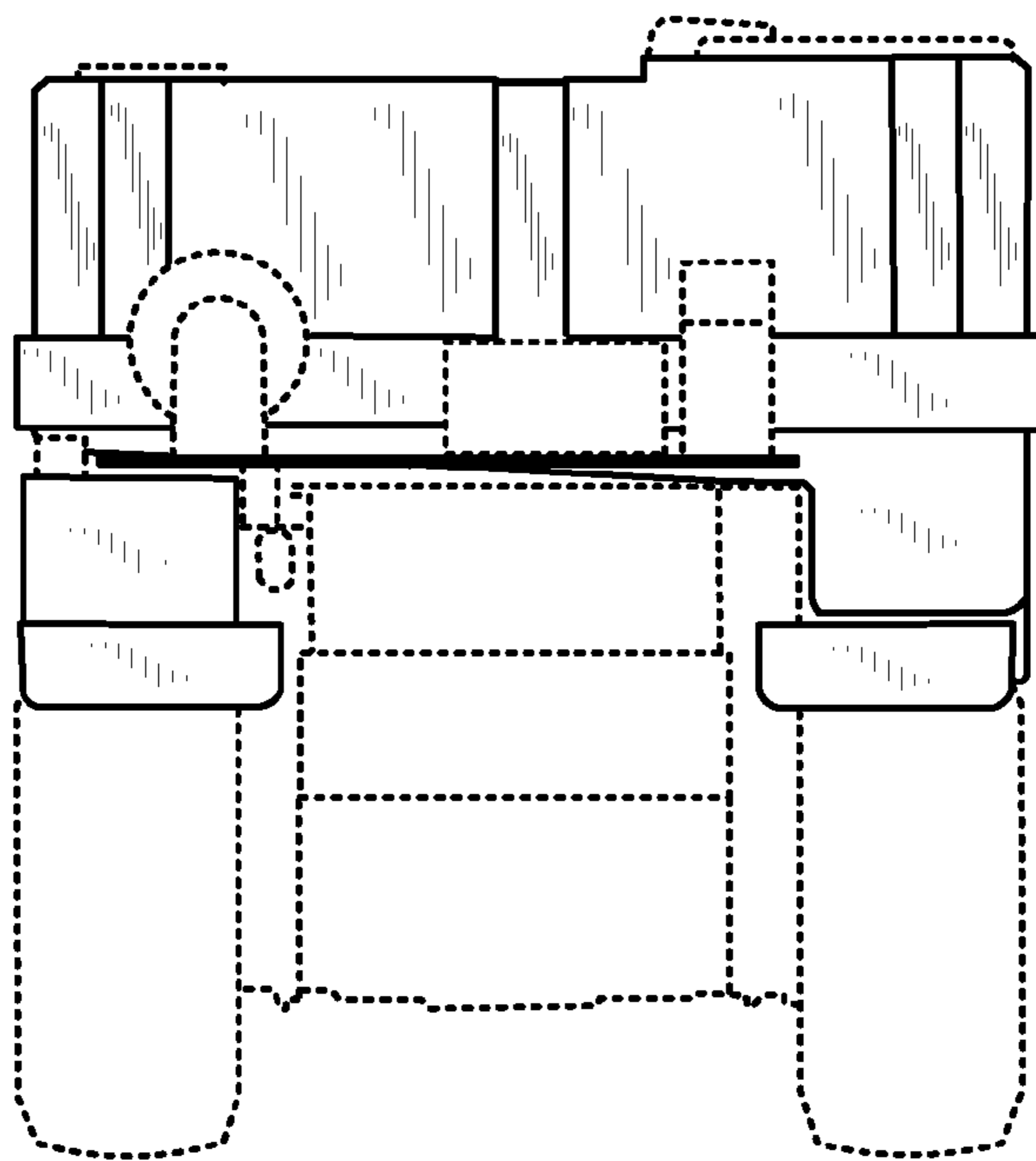
*FIG. 2*



*FIG. 3*



*FIG. 4*



*FIG. 5*

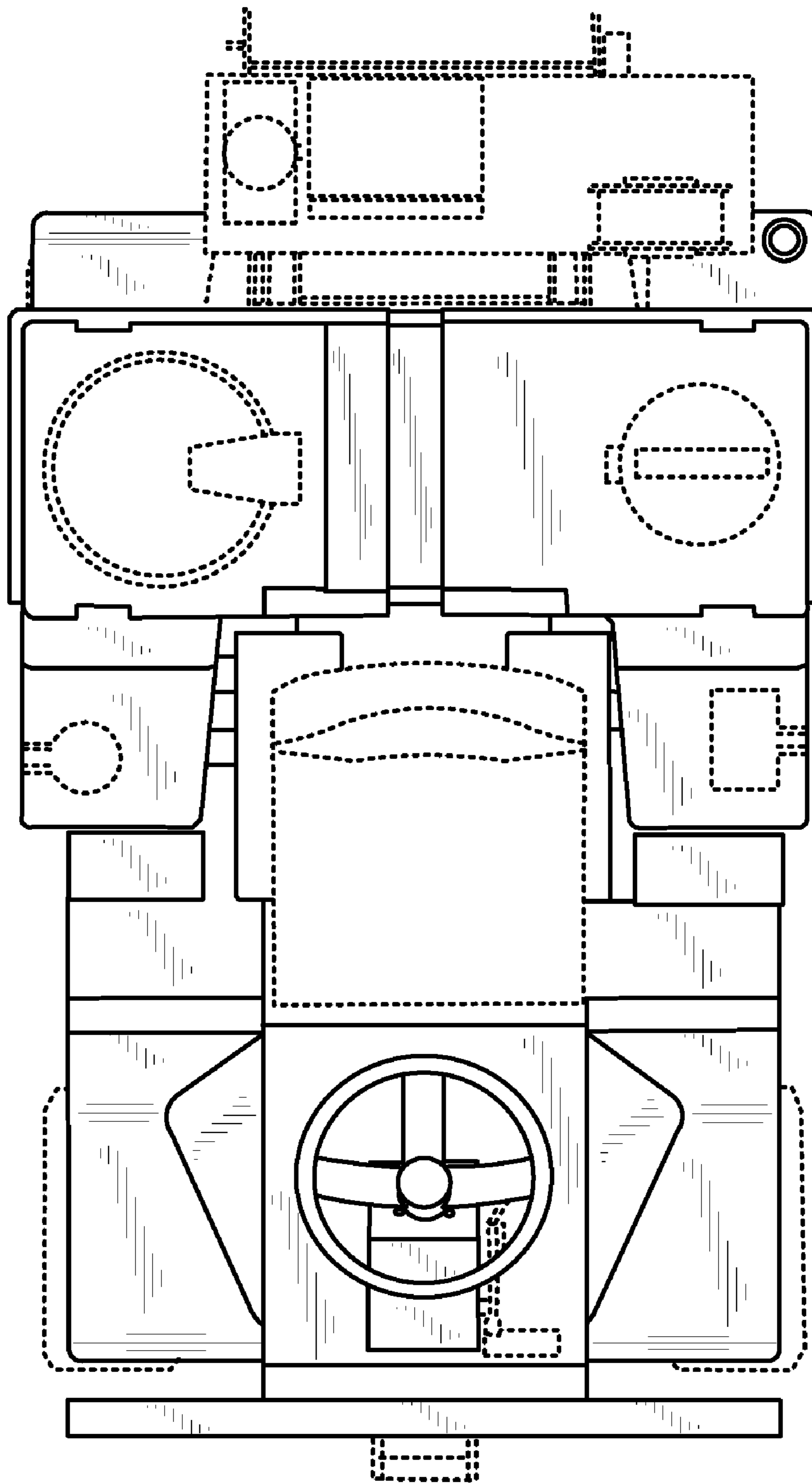


FIG. 6