



US00D637622S

(12) **United States Design Patent**  
**Aruga et al.**

(10) **Patent No.:** **US D637,622 S**

(45) **Date of Patent:** **\*\* May 10, 2011**

(54) **COVER FOR INTERNAL COMBUSTION ENGINE**

(75) Inventors: **Hiroyasu Aruga**, Tokyo (JP); **Kazuyuki Uenoyama**, Tokyo (JP); **Toshiya Hashimoto**, Tokyo (JP)

(73) Assignee: **Mitsubishi Heavy Industries, Ltd.**, Tokyo (JP)

(\*\*) Term: **14 Years**

(21) Appl. No.: **29/369,420**

(22) Filed: **Sep. 8, 2010**

(30) **Foreign Application Priority Data**

Mar. 9, 2010 (JP) ..... 2010-005629

(51) **LOC (9) Cl.** ..... **15-01**

(52) **U.S. Cl.** ..... **D15/5**

(58) **Field of Classification Search** ..... D15/1,  
D15/2, 3, 5, 6, 14, 17, 149; 123/22, 41.34,  
123/51 A, 606 R, 52.1, 50 A, 50 B, 54.1,  
123/54.2, 54.4, 54.5, 65 R, 195 R, 195 HC,  
123/657, 311

See application file for complete search history.

(56) **References Cited**

U.S. PATENT DOCUMENTS

D361,336 S *	8/1995	Tinius .....	D15/1
D416,265 S *	11/1999	Kato et al. ....	D15/1
D521,528 S *	5/2006	Kamijo et al. ....	D15/1
D525,990 S *	8/2006	Ono et al. ....	D15/1
D589,056 S *	3/2009	Matsuoka et al. ....	D15/1
D599,822 S *	9/2009	Okuda .....	D15/1

\* cited by examiner

*Primary Examiner* — T. Chase Nelson

*Assistant Examiner* — Ania K Dworzecka

(74) *Attorney, Agent, or Firm* — Wenderoth, Lind & Ponack, L.L.P.

(57) **CLAIM**

The ornamental design for a cover for internal combustion engine, as shown and described.

**DESCRIPTION**

FIG. 1 is a front view of a cover for internal combustion engine in accordance with the present design;

FIG. 2 is a rear view thereof;

FIG. 3 is a left side view thereof;

FIG. 4 is a right side view thereof;

FIG. 5 is a top plan view thereof;

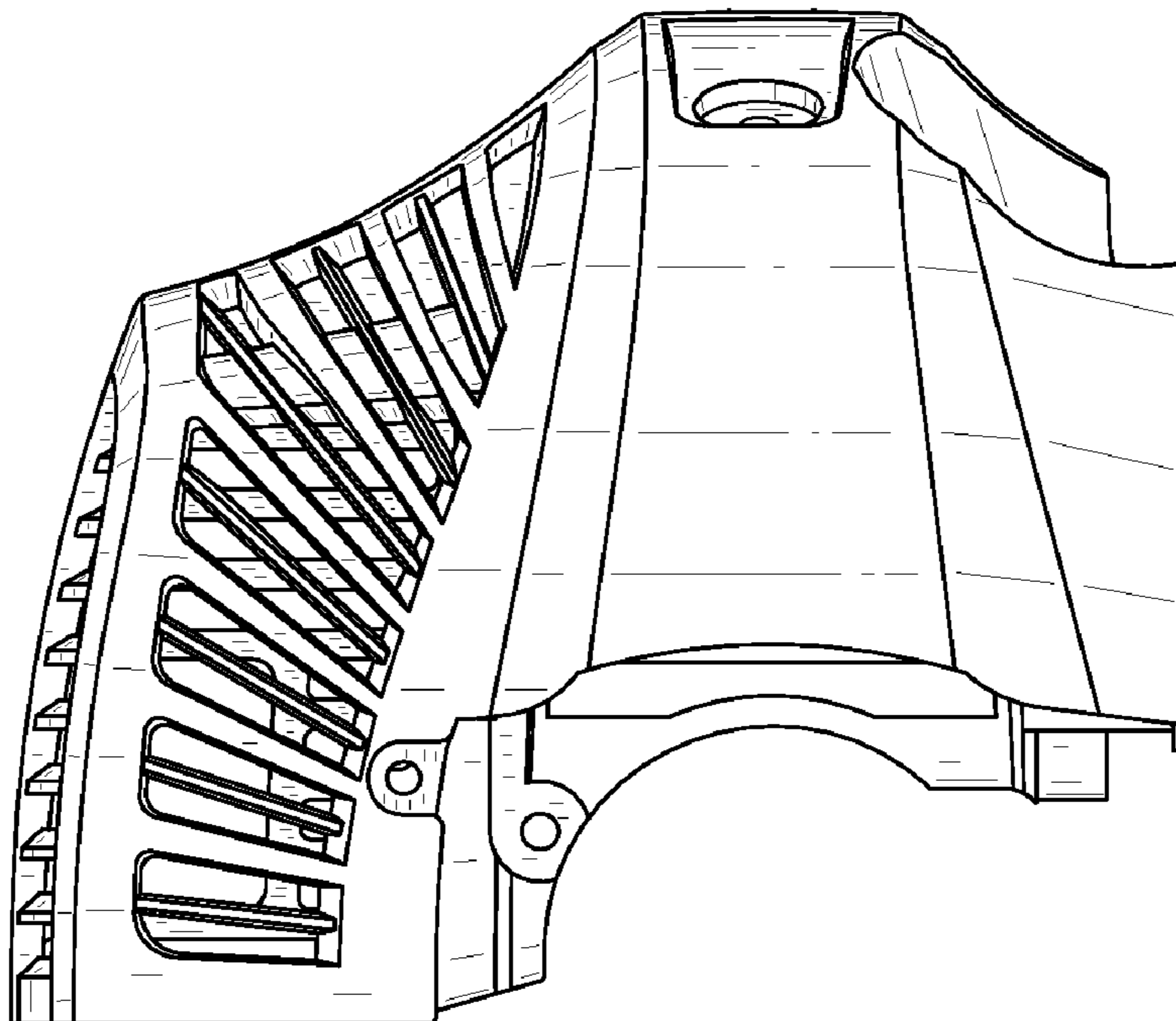
FIG. 6 is a bottom plan view thereof;

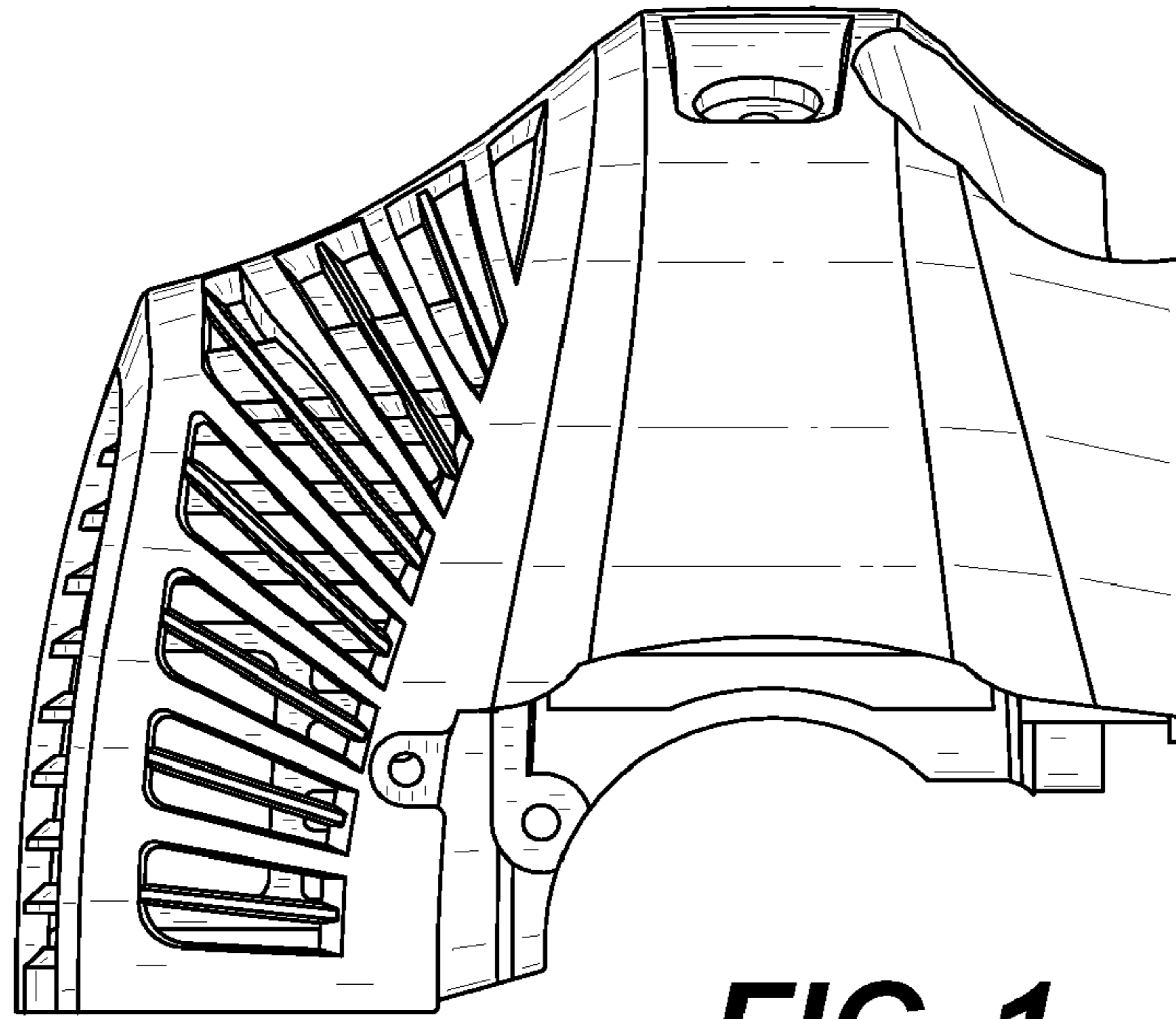
FIG. 7 is a front perspective view thereof; and,

FIG. 8 is a rear perspective view thereof.

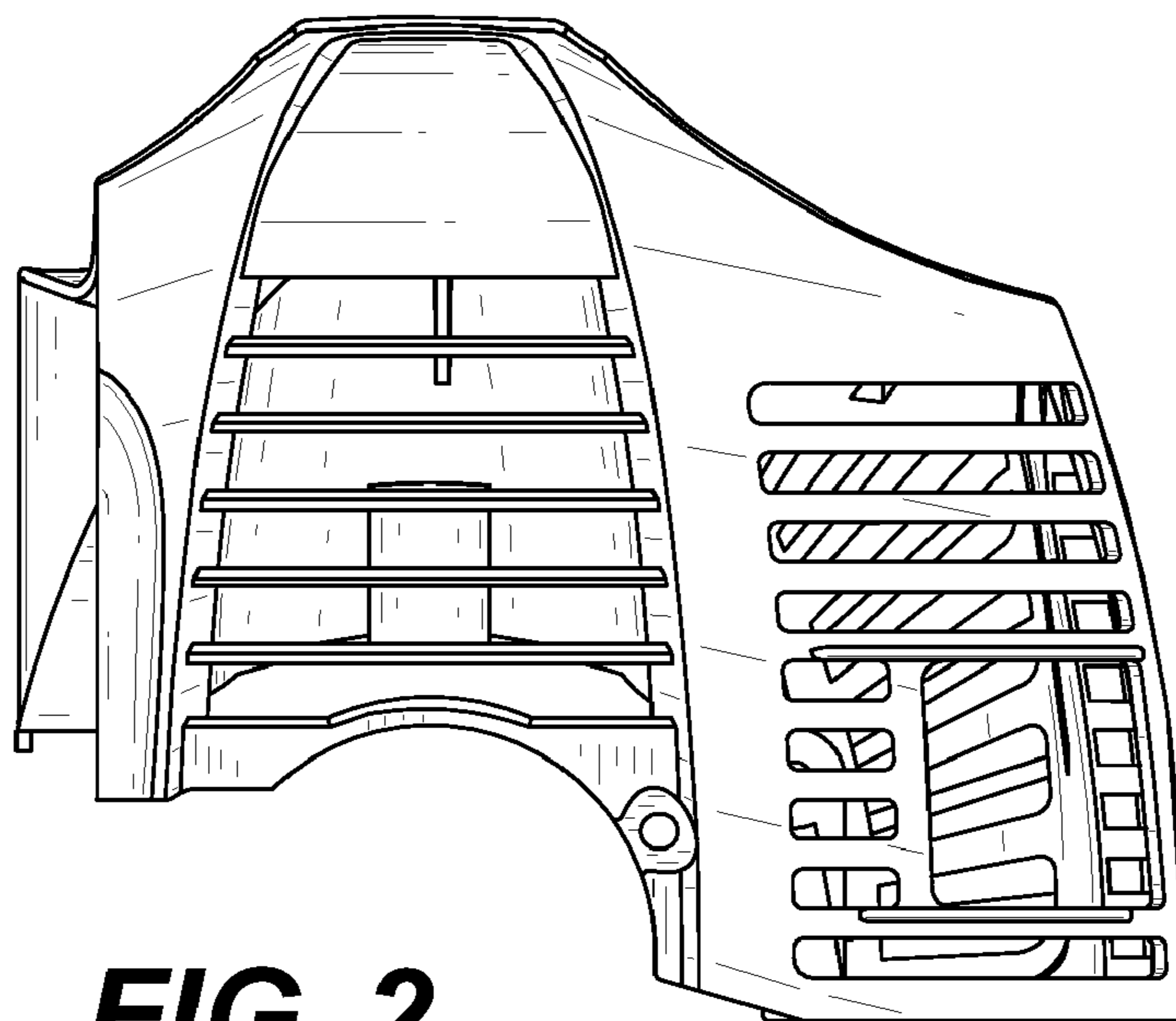
The portions of the cover shown in broken lines form no part of the claimed design.

**1 Claim, 4 Drawing Sheets**

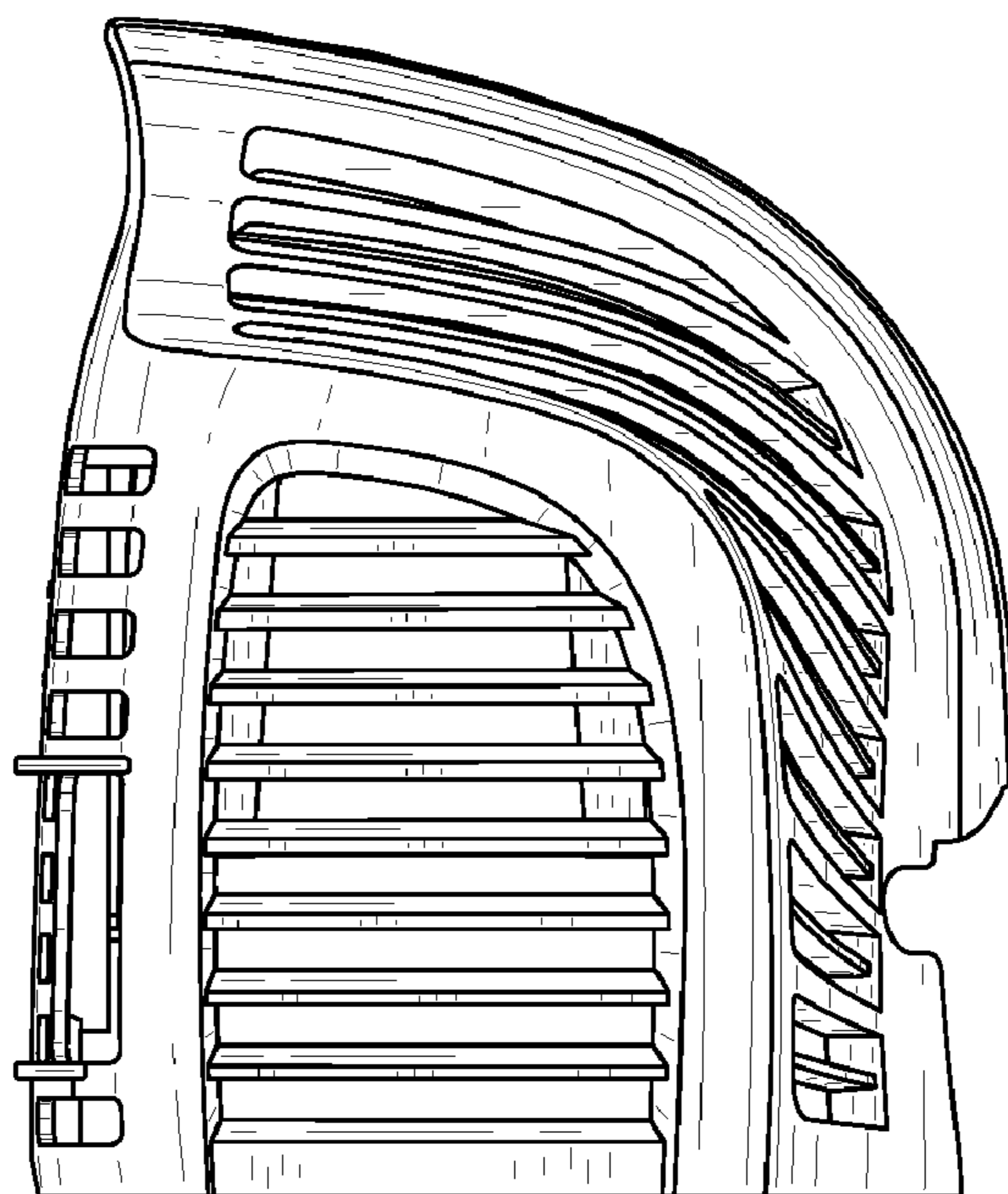




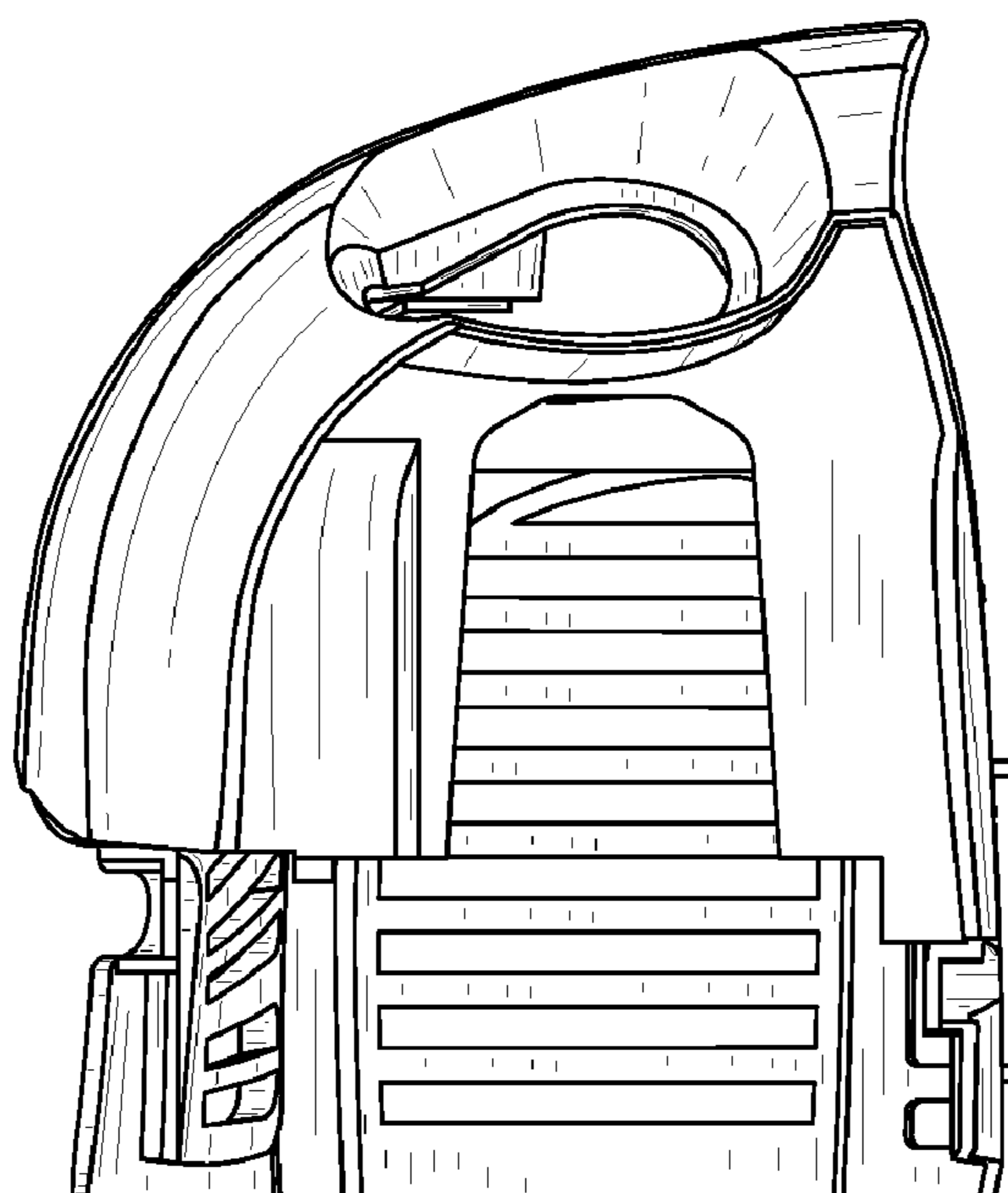
**FIG. 1**



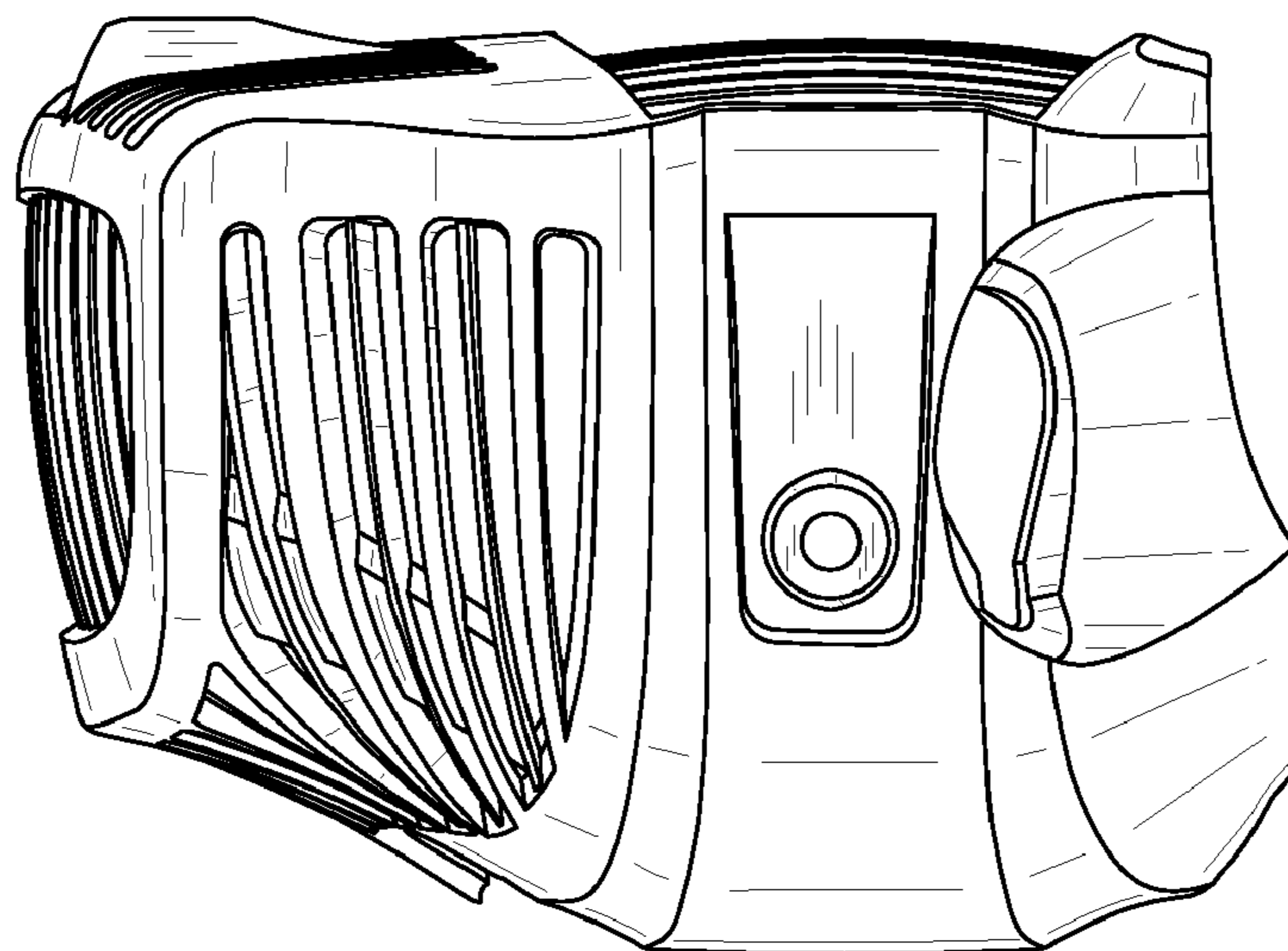
**FIG. 2**



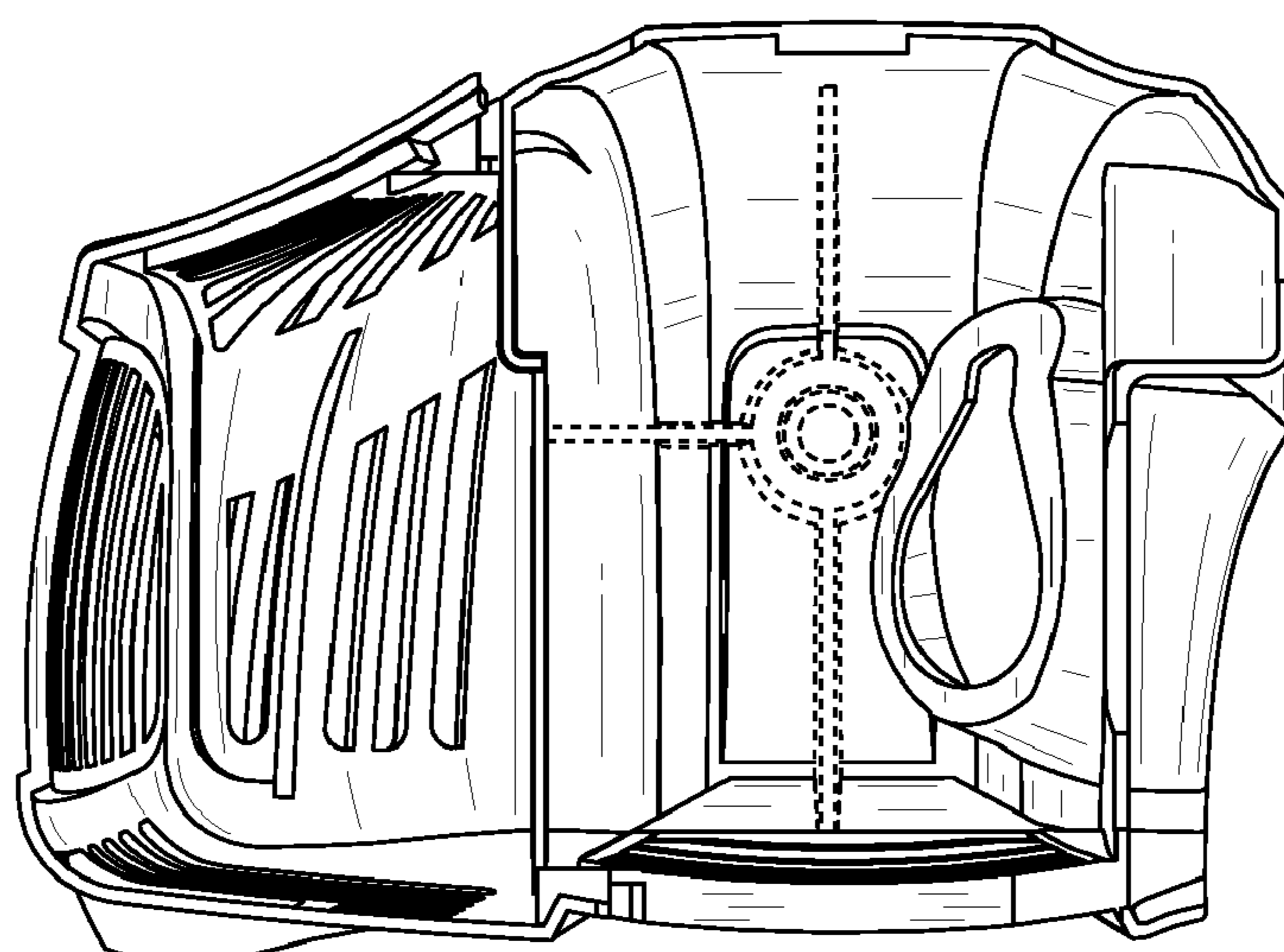
**FIG. 3**



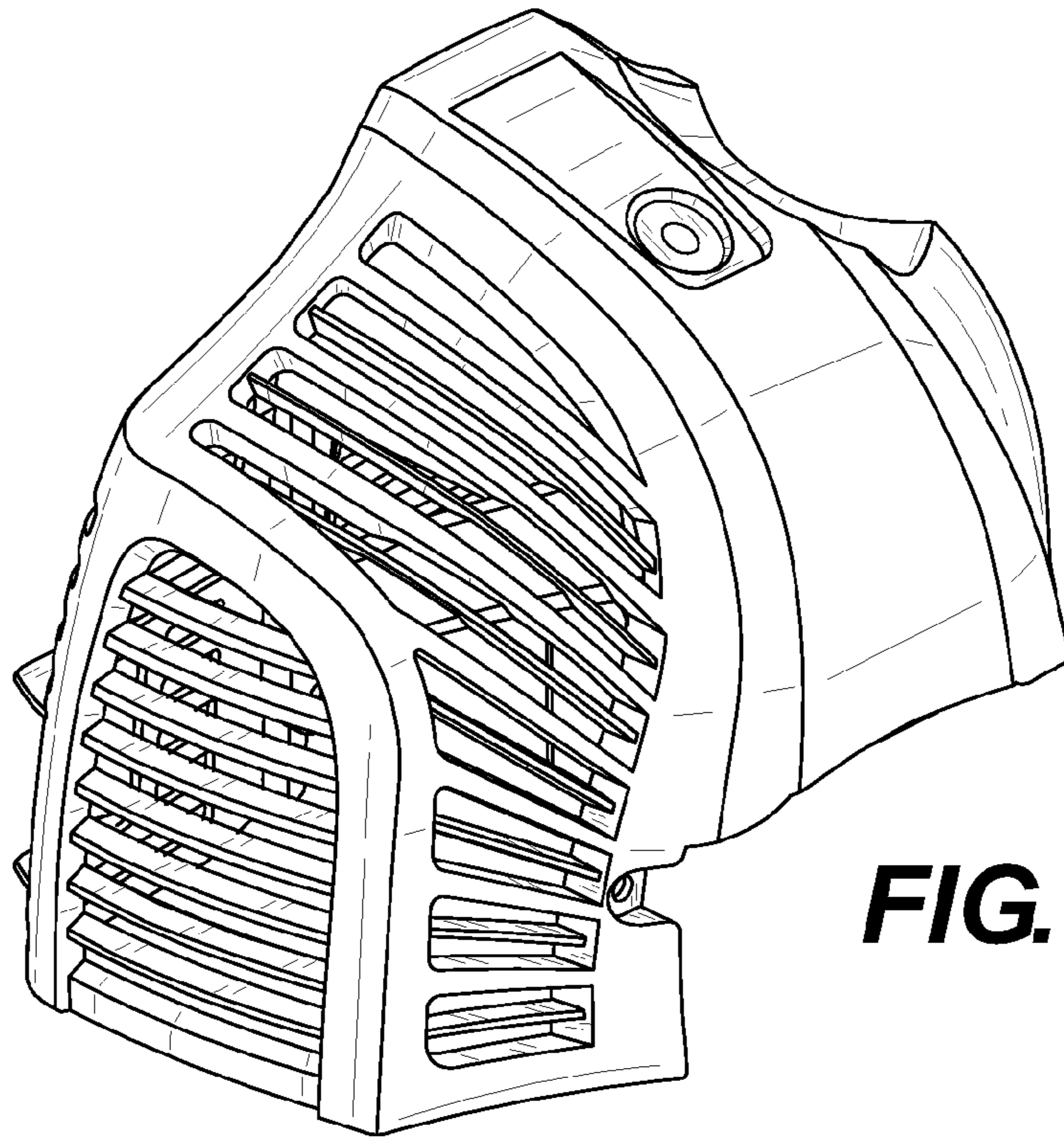
**FIG. 4**



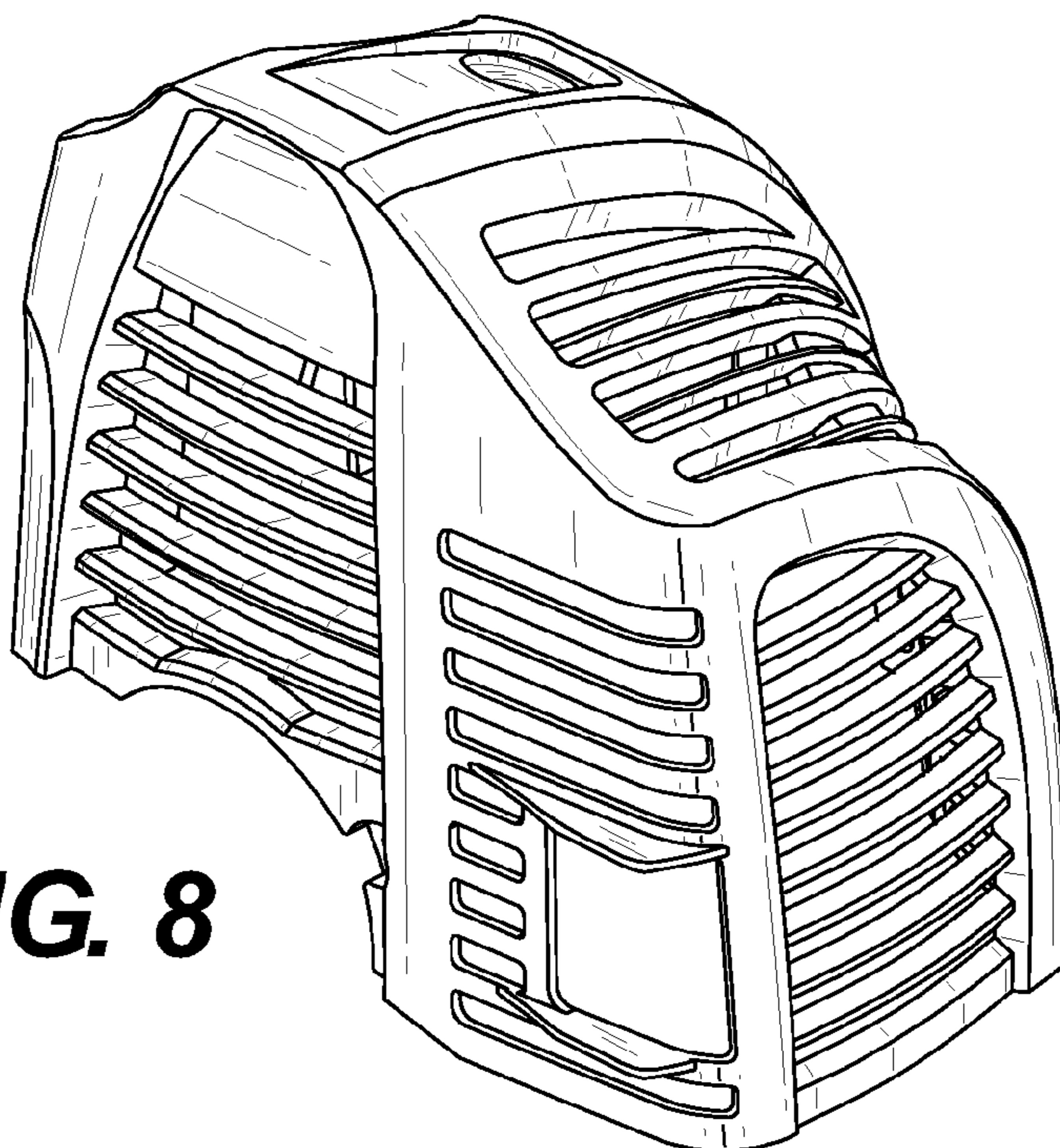
**FIG. 5**



**FIG. 6**



**FIG. 7**



**FIG. 8**