



US00D637621S

(12) **United States Design Patent**
Romba et al.

(10) **Patent No.:** **US D637,621 S**

(45) **Date of Patent:** **** May 10, 2011**

(54) **VEHICLE FILTER**

(75) Inventors: **Marcus Romba**, Lubeck (DE);
Christoph Schmidt, Stockelsdorf (DE)

(73) Assignee: **Dräger Safety AG&Co. KGaA** (DE)

(**) Term: **14 Years**

(21) Appl. No.: **29/351,788**

(22) Filed: **Dec. 11, 2009**

(30) **Foreign Application Priority Data**

Oct. 21, 2009 (EP) 001626417

(51) **LOC (9) Cl.** **15-01**

(52) **U.S. Cl.** **D15/5**

(58) **Field of Classification Search** D15/1,
D15/3, 5, 17, 28; D12/218, 220; D23/209,
D23/365; 55/385.3; 210/97, 198.1, 416.4,
210/416.5, 321, 348, 78, 443-449, 257.1-257.2,
210/258, 260, 261

See application file for complete search history.

(56) **References Cited**

U.S. PATENT DOCUMENTS

D219,103 S * 11/1970 Dexter D23/209
D307,461 S * 4/1990 Kim D23/209

D309,974 S * 8/1990 Tannous D23/209
D346,640 S * 5/1994 Kim D23/209
D386,463 S * 11/1997 Garrard et al. D12/218
D471,623 S * 3/2003 Gieseke et al. D23/365
D477,659 S * 7/2003 Gieseke et al. D23/365

* cited by examiner

Primary Examiner — Cathron C. Brooks

Assistant Examiner — Maurice Stevens

(74) *Attorney, Agent, or Firm* — Caesar, Rivise, Bernstein,
Cohen & Pokotilow, Ltd.

(57) **CLAIM**

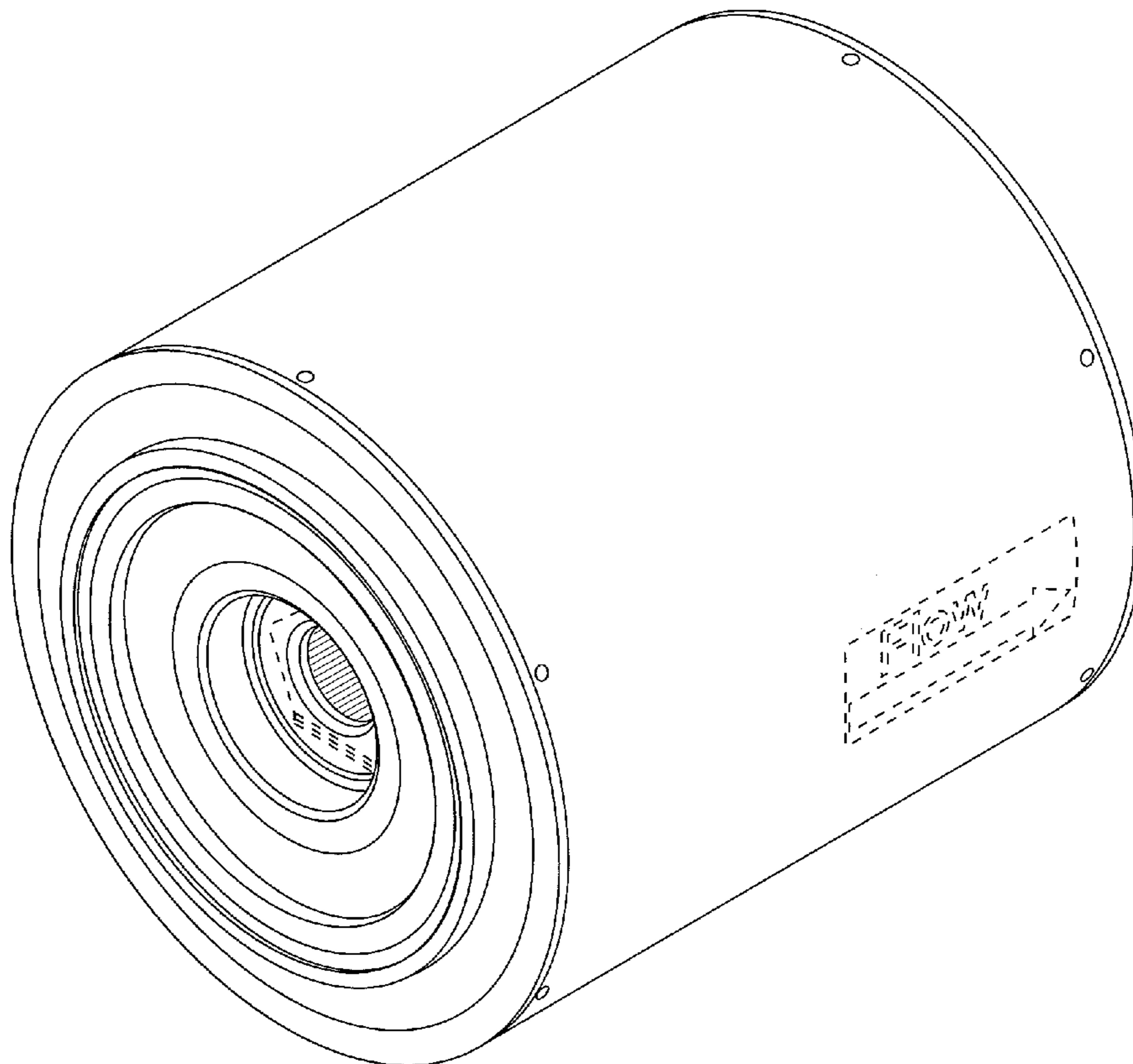
The ornamental design for a vehicle filter, as shown and described.

DESCRIPTION

FIG. 1 is an isometric front view of a vehicle filter in accordance with a preferred embodiment of my design; FIG. 2 is an isometric rear view of the vehicle filter of FIG. 1; FIG. 3 is a top view of the vehicle filter of FIG. 1; FIG. 4 is a bottom view of the vehicle filter of FIG. 1; and, FIG. 5 is a right side view of the vehicle filter of FIG. 1, the left side view being identical thereto.

The dashed lines shown in the figures represent environmental subject matter and form no part of the claimed design.

1 Claim, 4 Drawing Sheets



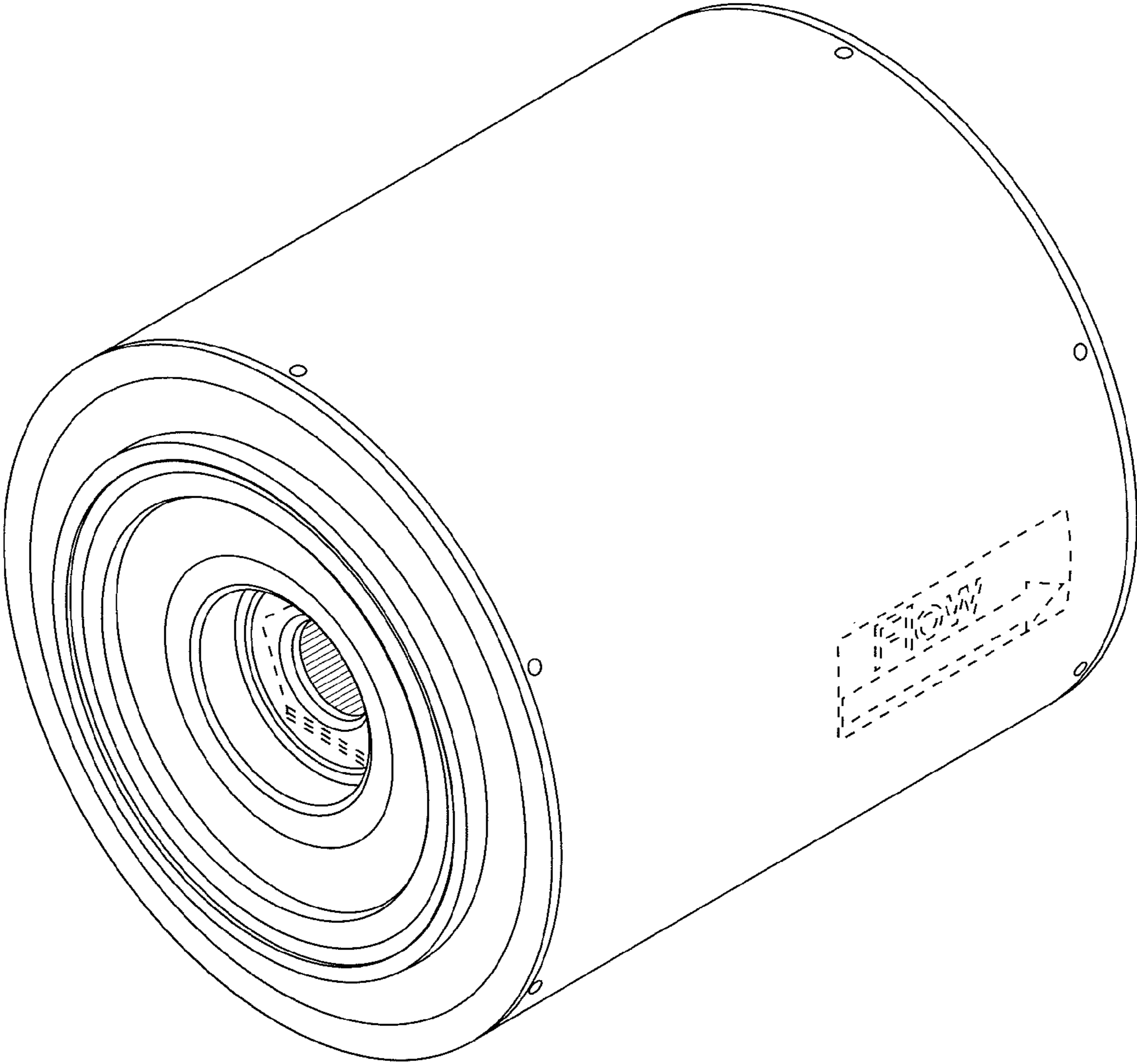


FIG. 1

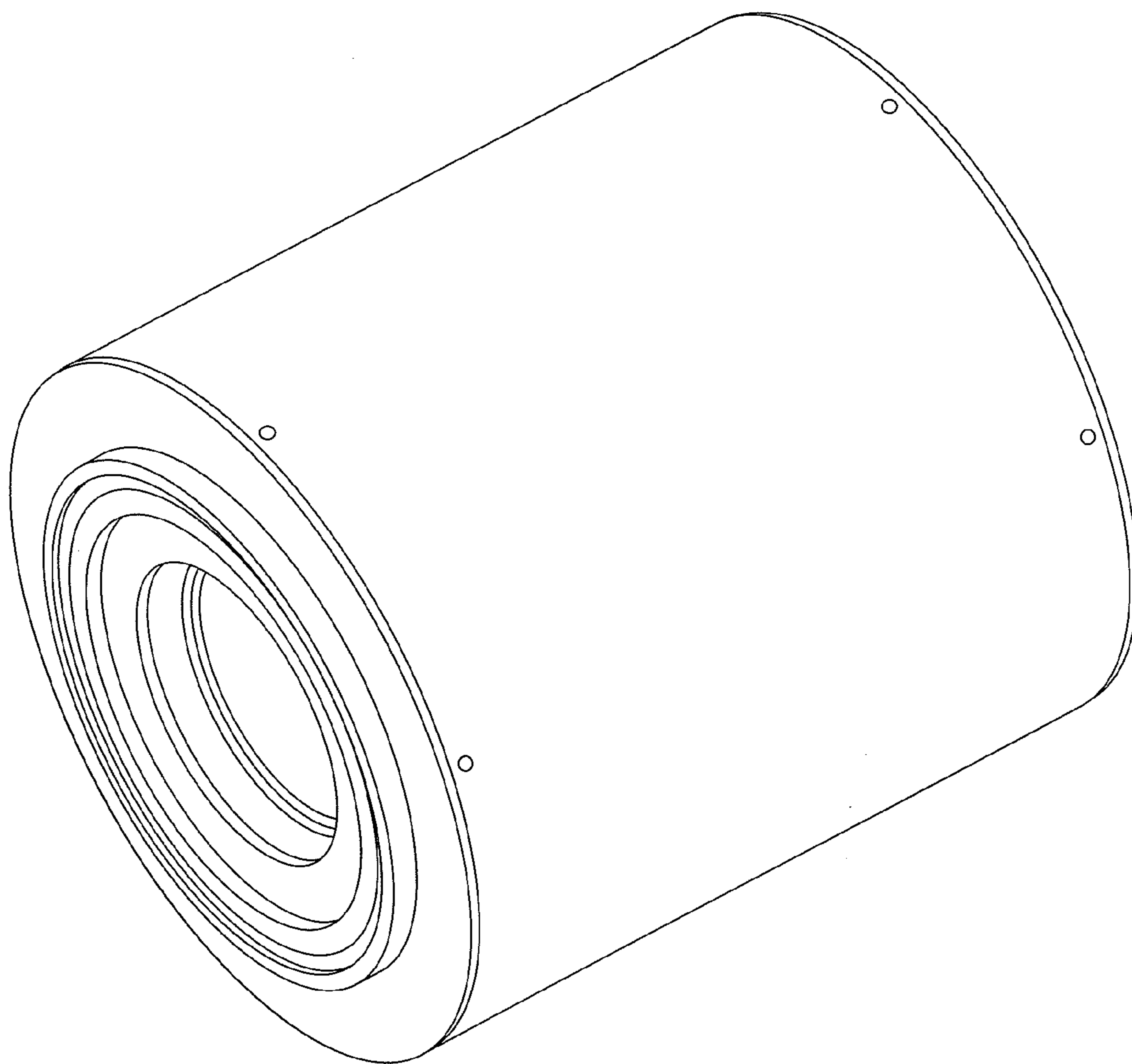


FIG. 2

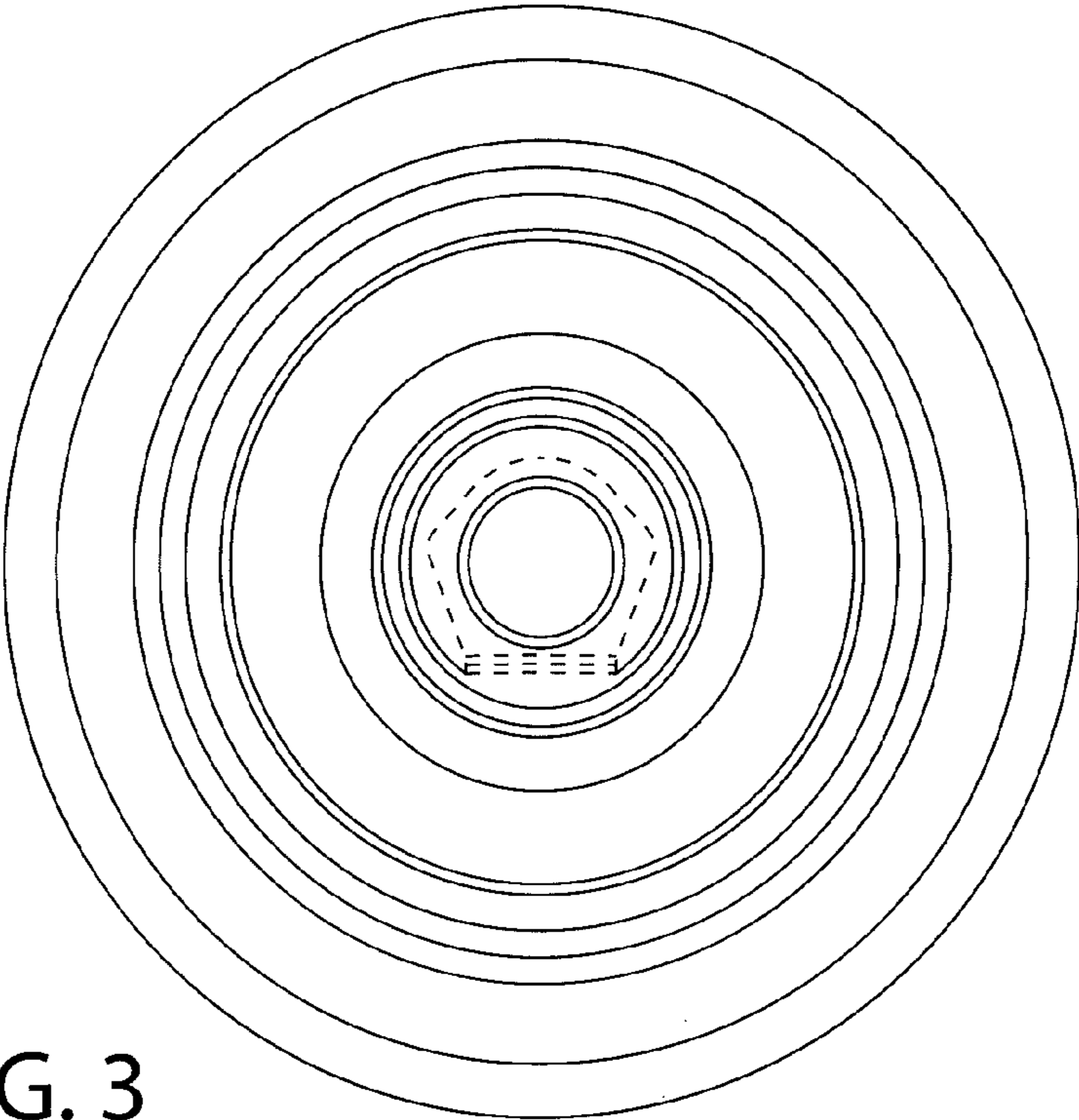


FIG. 3

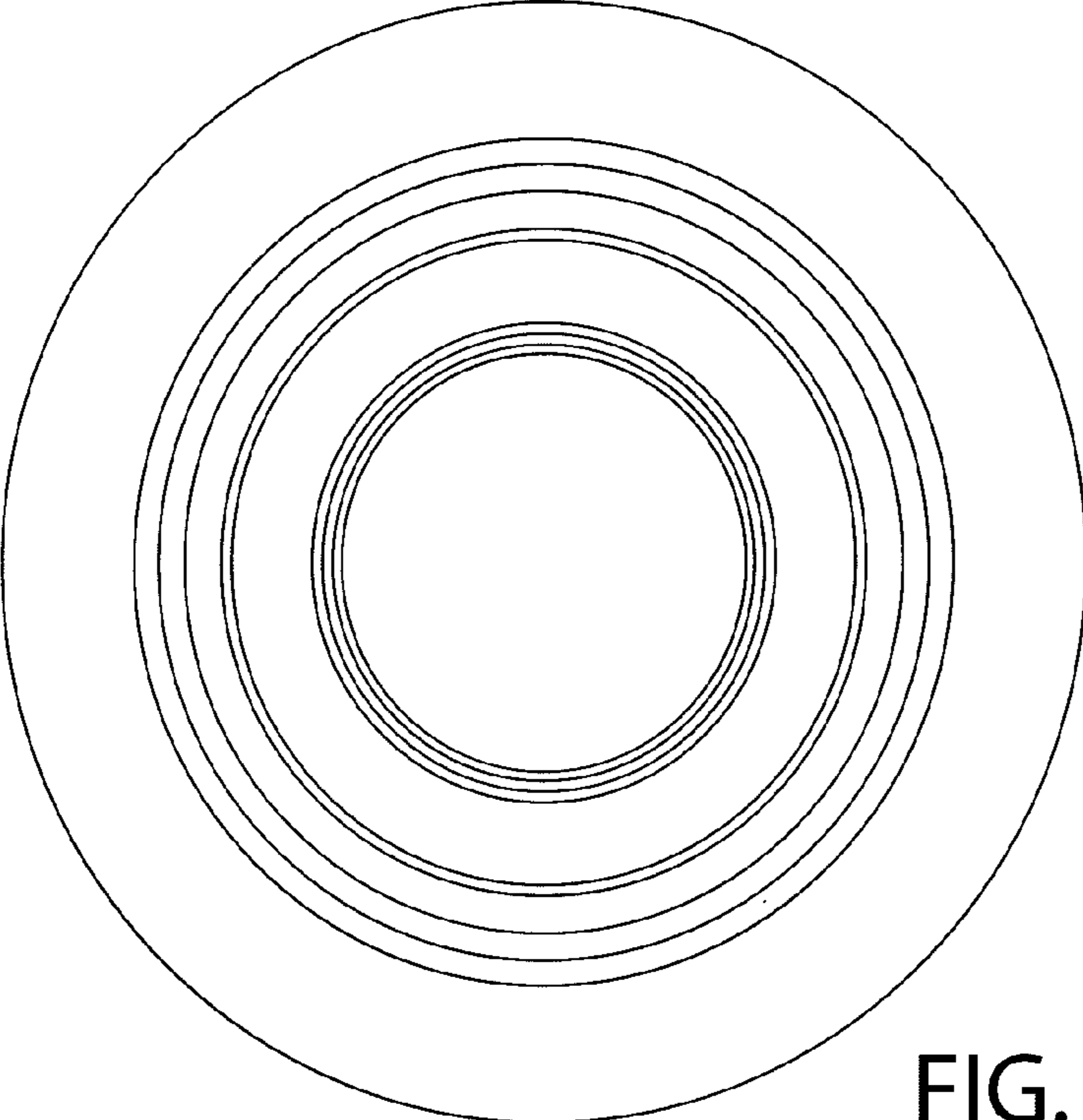


FIG. 4

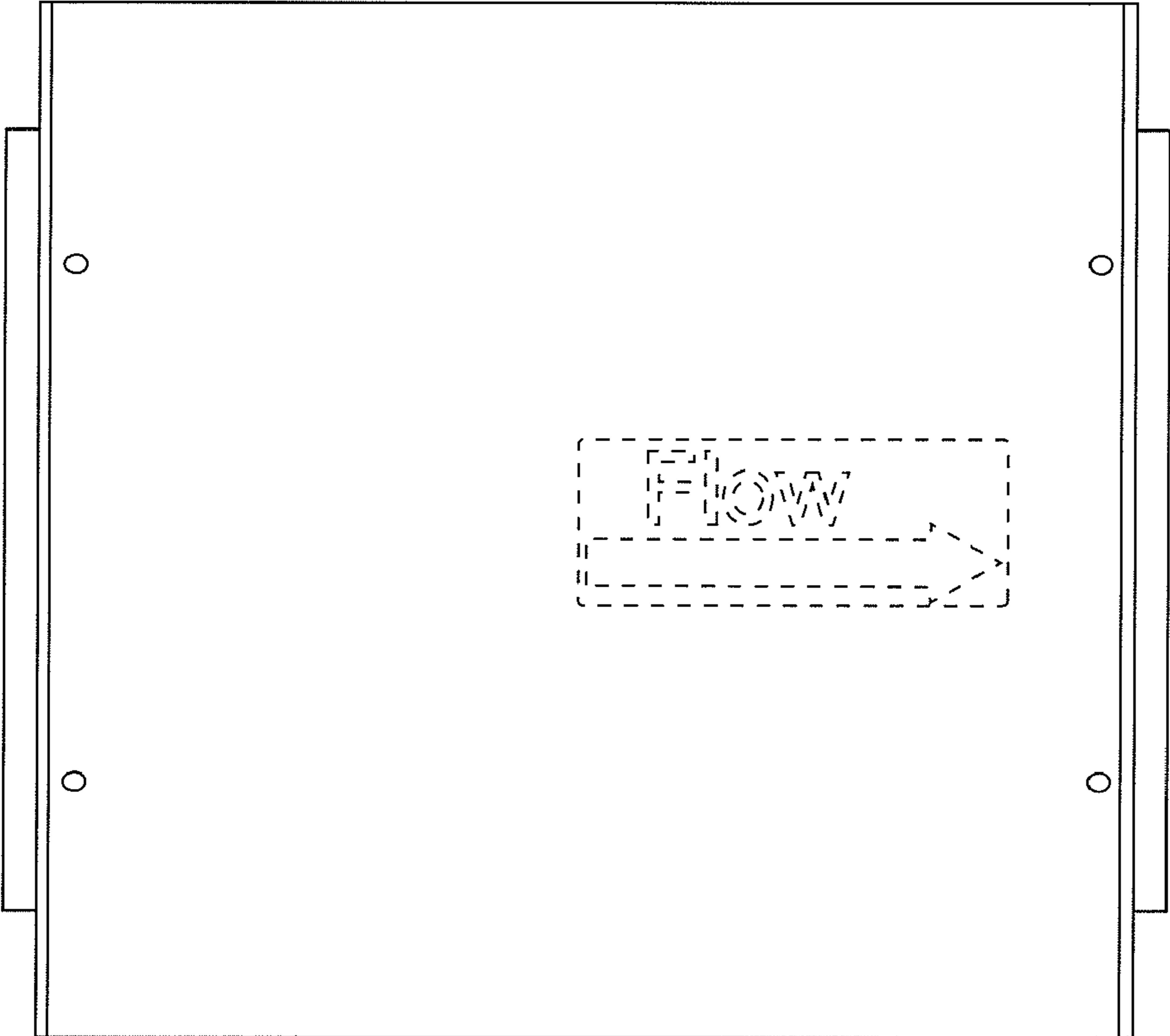


FIG. 5