



US00D637601S

(12) **United States Design Patent**
Symons

(10) **Patent No.:** **US D637,601 S**

(45) **Date of Patent:** **** May 10, 2011**

(54) **STAND**

(76) **Inventor:** **Dominic Symons**, Pasadena, CA (US)

(**) **Term:** **14 Years**

(21) **Appl. No.:** **29/382,276**

(22) **Filed:** **Dec. 30, 2010**

(51) **LOC (9) Cl.** **08-07**

(52) **U.S. Cl.** **D14/447**

(58) **Field of Classification Search** D14/447,
D14/451, 452, 373, 374, 375, 376, 432, 434,
D14/439, 448, 457, 126, 127, 129, 203.8,
D14/217, 224, 224.1, 238.1, 239, 251, 253;
D8/363, 373, 380; D6/406.1, 406.2, 406.3,
D6/406.4, 406.5, 406.6, 429, 462; 248/917-924,
248/441.1, 443, 445, 446, 447, 447.1, 453,
248/454, 455, 460, 463, 465.1, 472, 131,
248/150, 155.2, 155.4, 166, 434, 188.6, 346.3,
248/324; 361/679.02, 679.04, 679.06, 679.07,
361/679.09, 679.21, 679.26, 679.27, 679.3,
361/679.55, 379.56; 379/454, 455; 312/223.3
See application file for complete search history.

(56) **References Cited**

U.S. PATENT DOCUMENTS

D283,474 S *	4/1986	Appel	D6/511
D288,374 S *	2/1987	Ikeda	D32/56
D350,536 S *	9/1994	McKnight et al.	D14/447
D361,561 S *	8/1995	Baudot	D14/447
D365,105 S *	12/1995	Aubuchon et al.	D14/240
D399,834 S *	10/1998	Calfee	D14/451
D427,573 S *	7/2000	Wiggins	D14/457
D574,375 S *	8/2008	Prest et al.	D14/253
D579,455 S *	10/2008	Chu	D14/447
D580,856 S *	11/2008	Haspil et al.	D13/108
D583,821 S *	12/2008	Richter	D14/447

D593,567 S *	6/2009	Benson et al.	D14/451
D598,024 S *	8/2009	Scott et al.	D14/432
D618,614 S *	6/2010	Symons	D13/108

OTHER PUBLICATIONS

<http://www.griffintechology.com/products/loop>.

* cited by examiner

Primary Examiner — Angela J Lee

(74) *Attorney, Agent, or Firm* — Marc E. Hankin; Kevin Schraven; Hankin Patent Law, APC

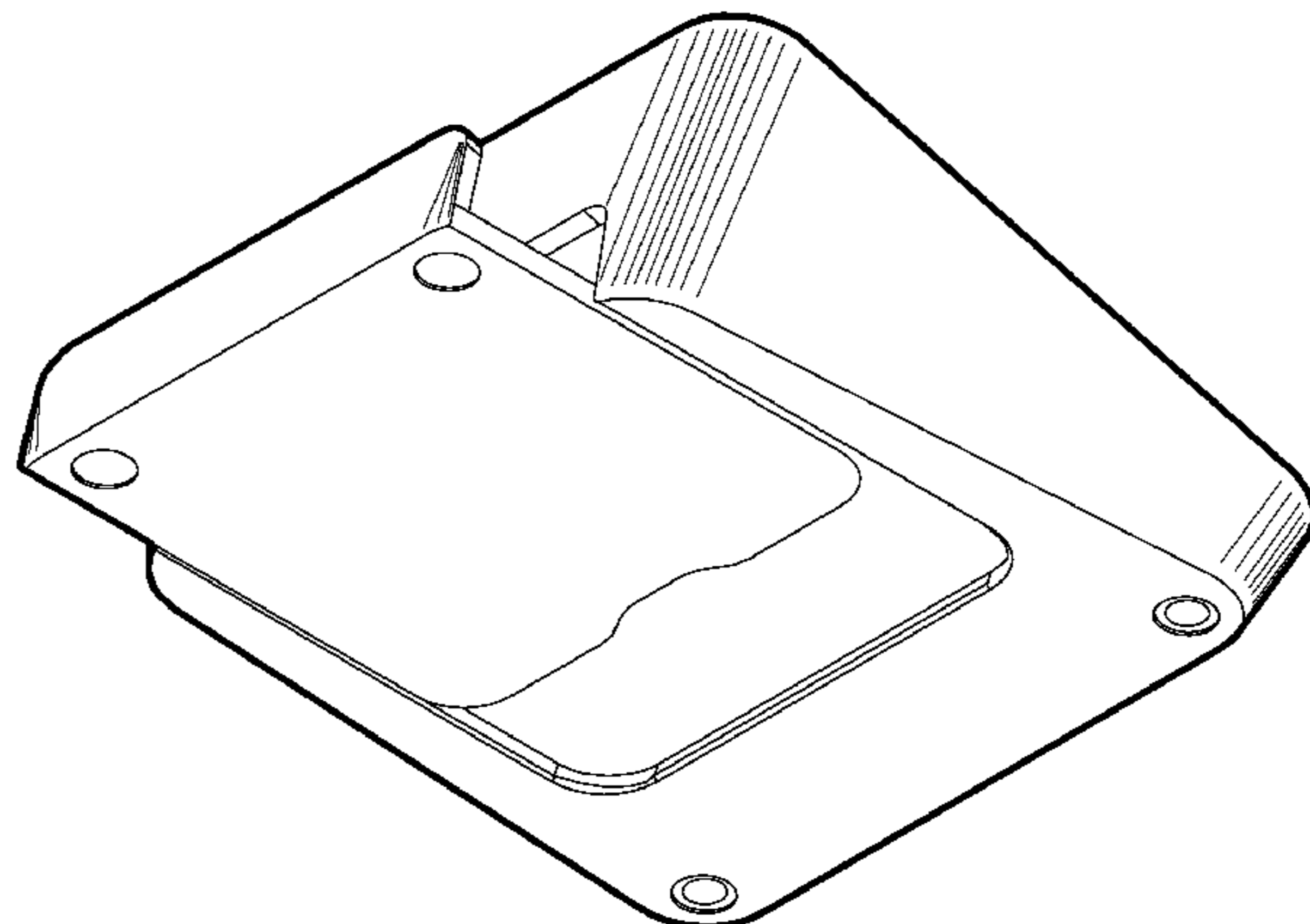
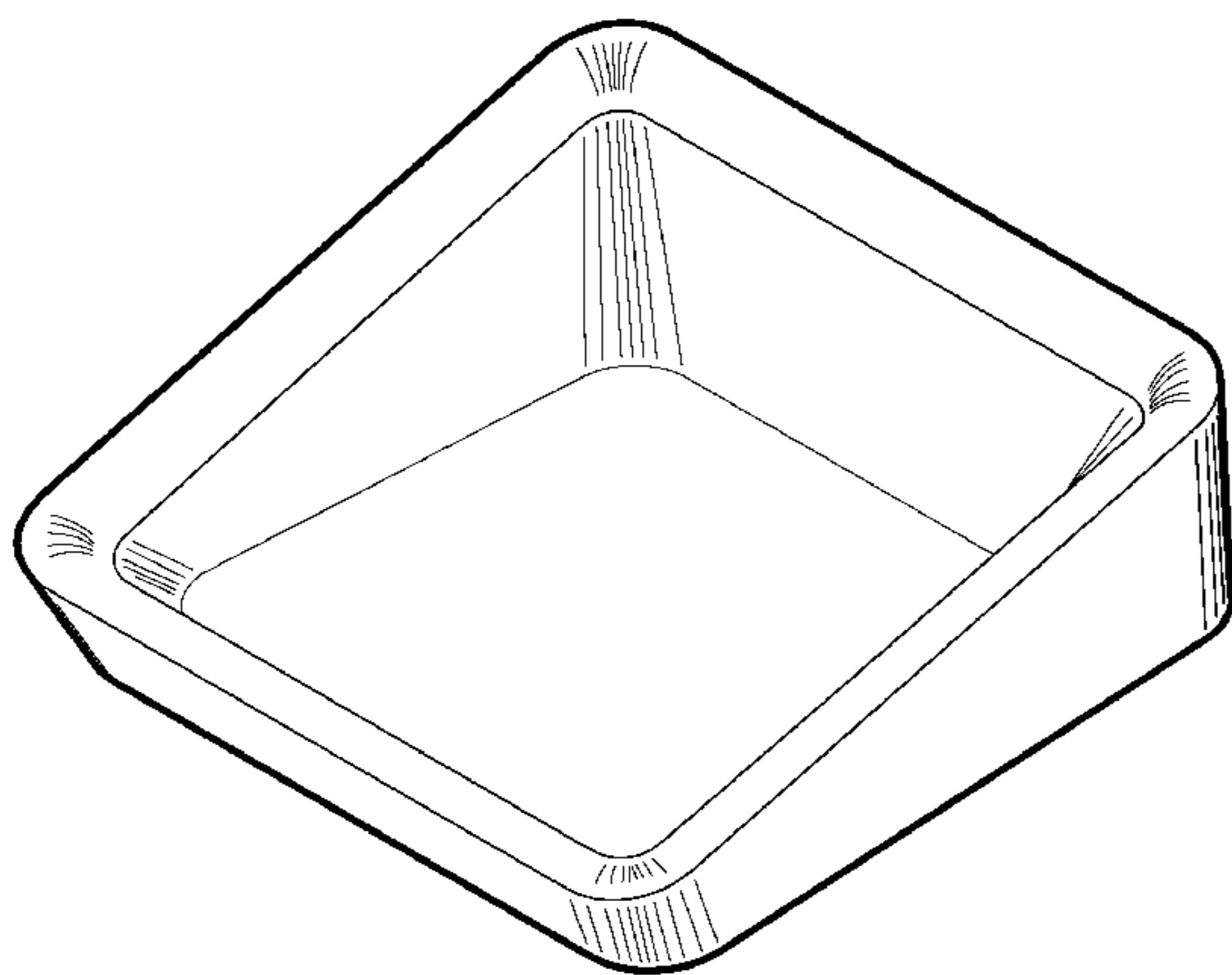
(57) **CLAIM**

The ornamental design for a stand, as shown.

DESCRIPTION

FIG. 1 is an illustration of a perspective view of the stand.
 FIG. 2 is an illustration of a top view of the stand.
 FIG. 3 is an illustration of a bottom view of the stand.
 FIG. 4 is an illustration of a left side view of the stand.
 FIG. 5 is an illustration of a right side view of the stand.
 FIG. 6 is an illustration of a front view of the stand.
 FIG. 7 is an illustration of a rear view of the stand.
 FIG. 8 is an illustration of a perspective view of the stand and shows the sliding lipped tray in an open position.
 FIG. 9 is an illustration of a bottom perspective view of the stand and shows the sliding lipped tray in an open position.
 FIG. 10 is an illustration of a top view of the stand and shows the sliding lipped tray in an open position.
 FIG. 11 is an illustration of a bottom view of the stand and shows the sliding lipped tray in an open position.
 FIG. 12 is an illustration of a left side view of the stand and shows the sliding lipped tray in an open position; and,
 FIG. 13 is an illustration of a right side view of the stand and shows the sliding lipped tray in an open position.

1 Claim, 13 Drawing Sheets



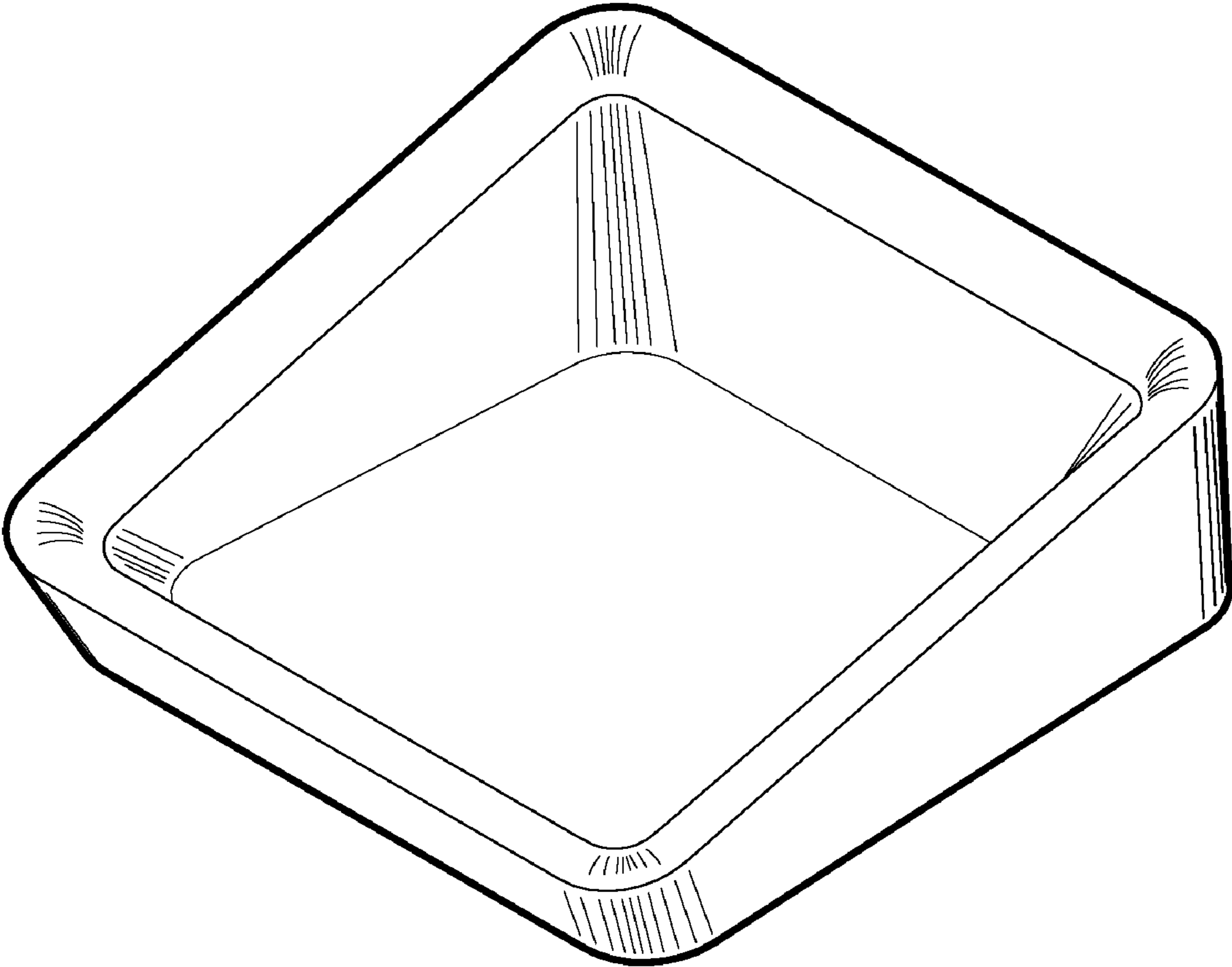


FIG. 1

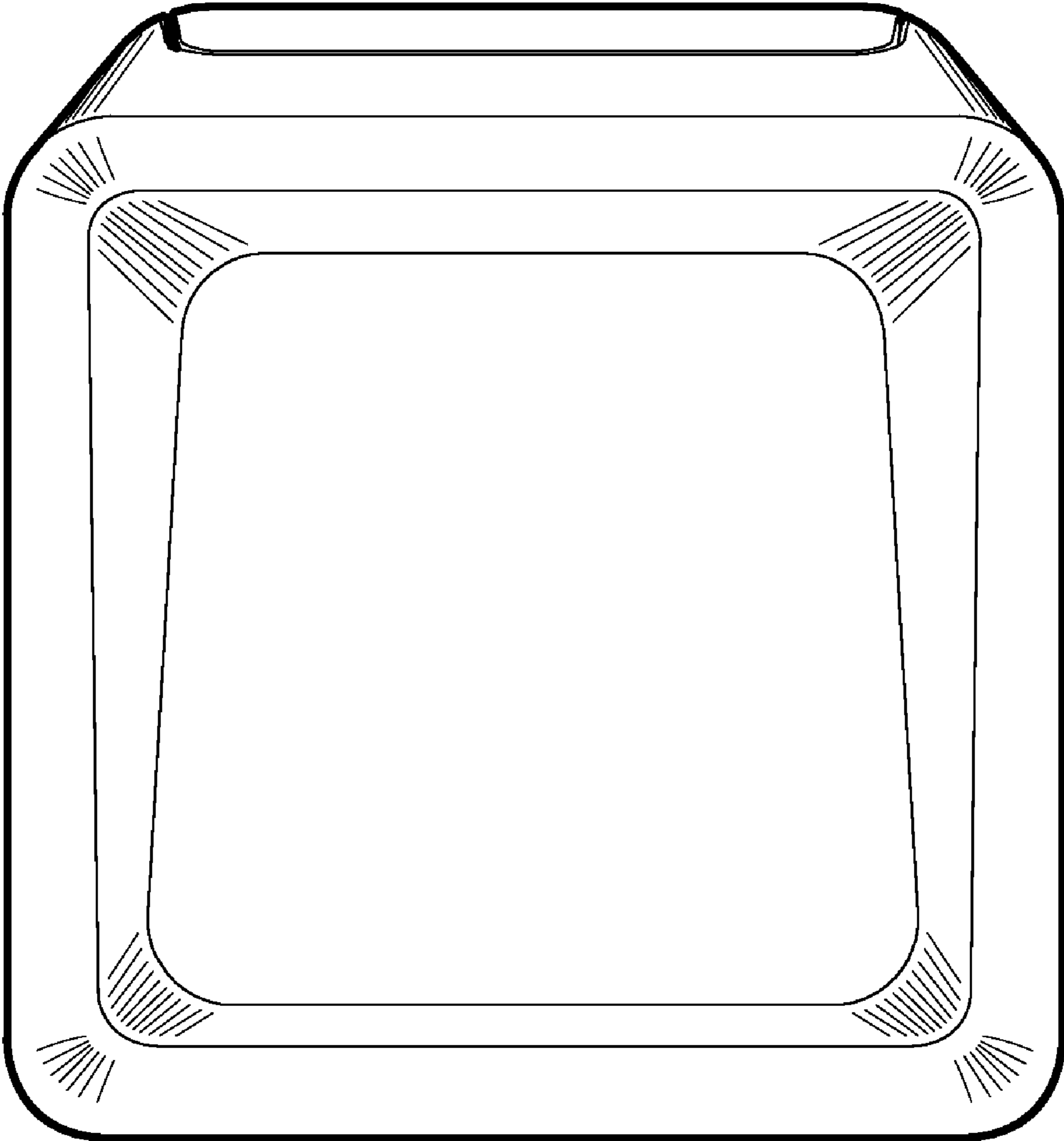


FIG. 2

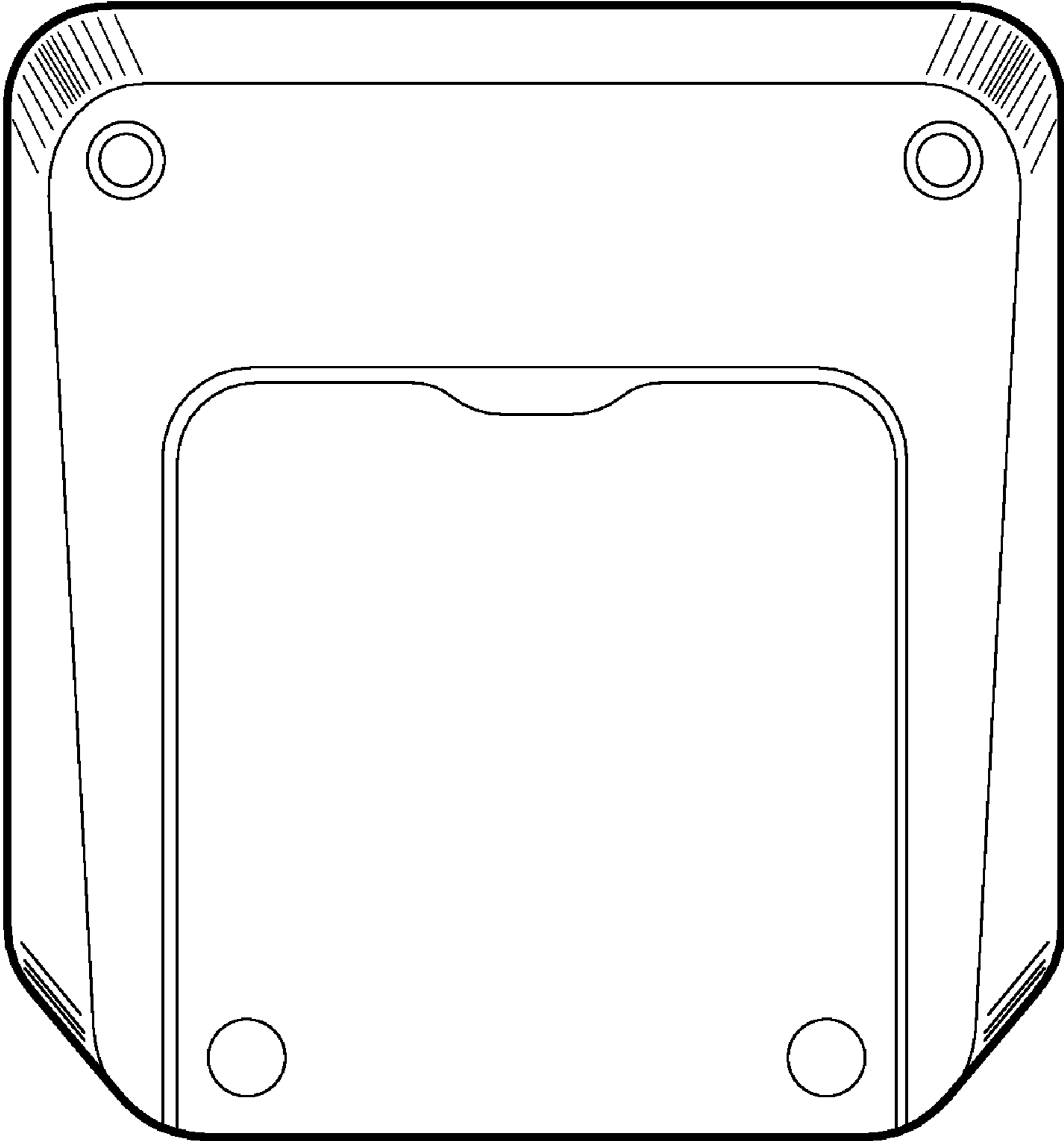


FIG. 3

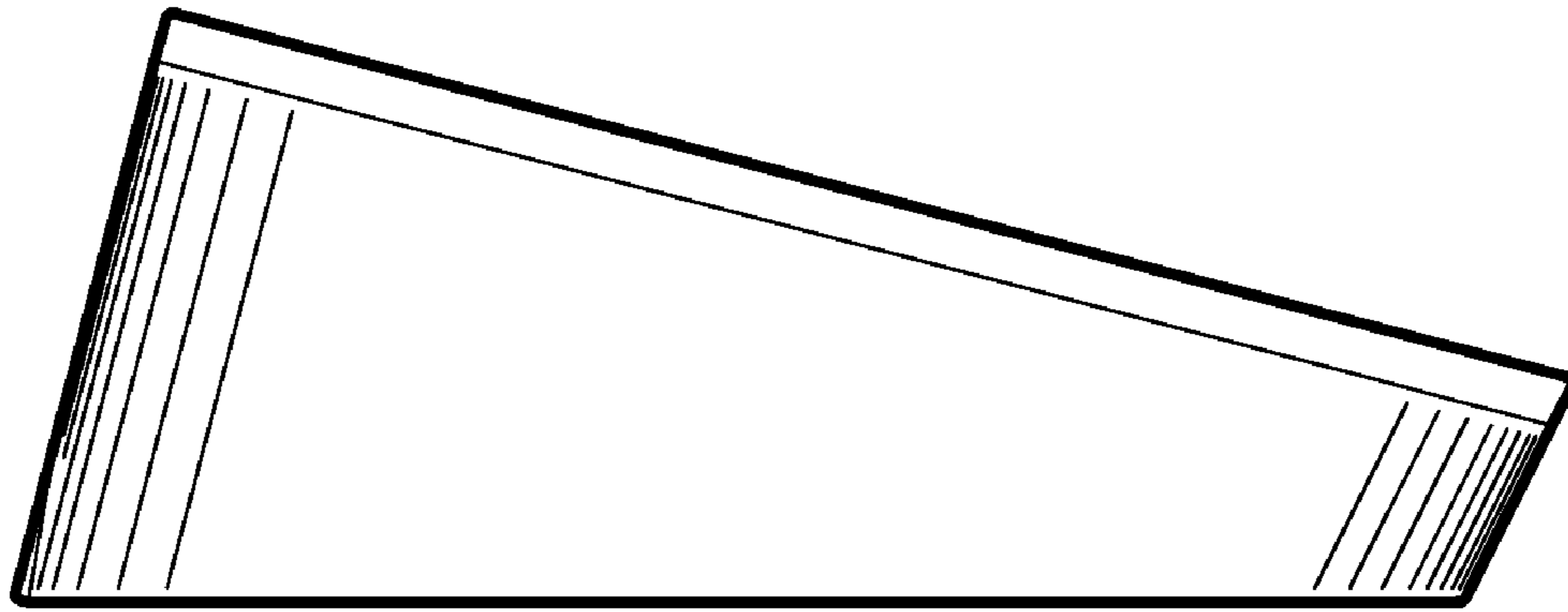


FIG. 4

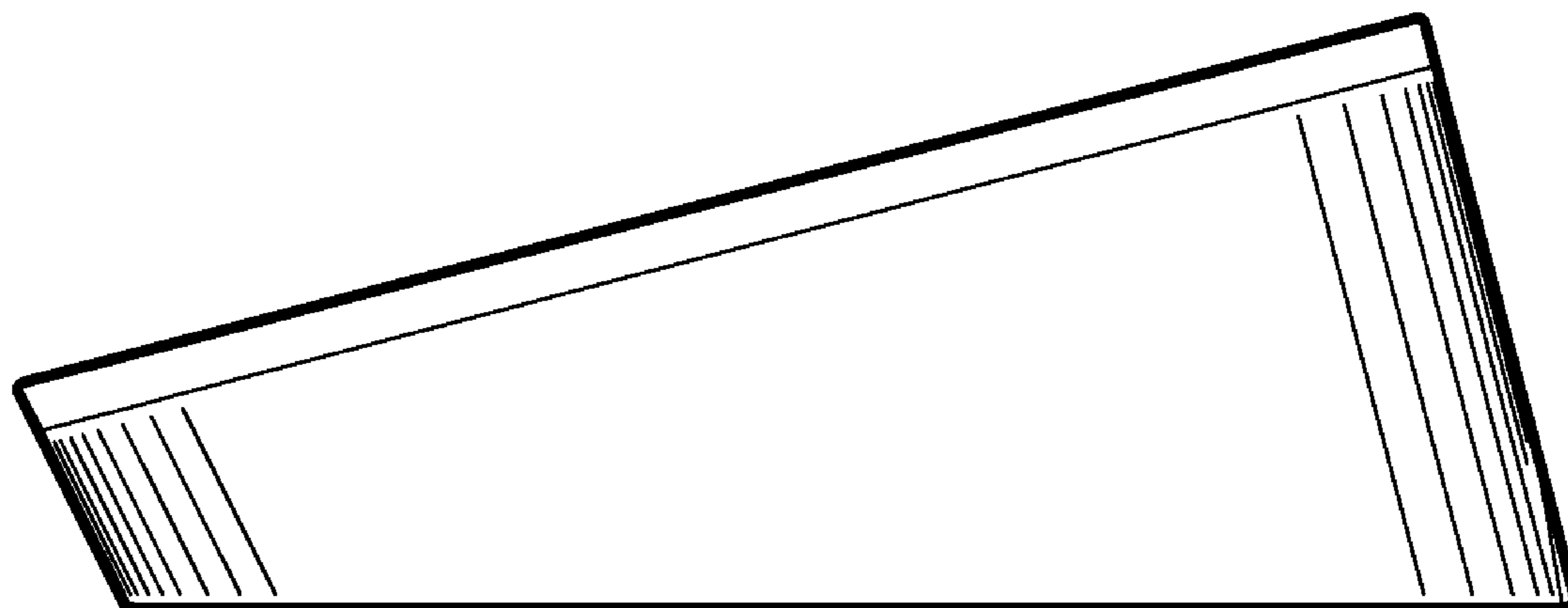


FIG. 5

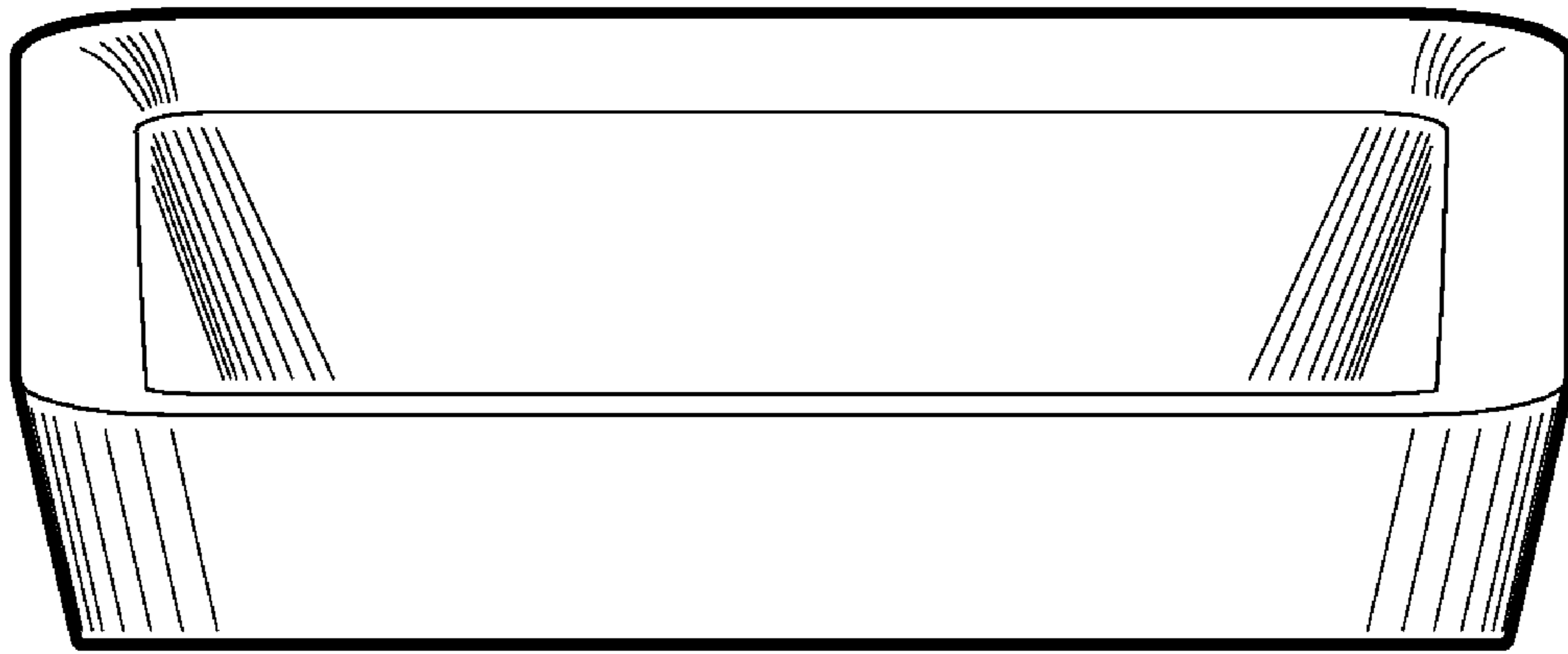


FIG. 6

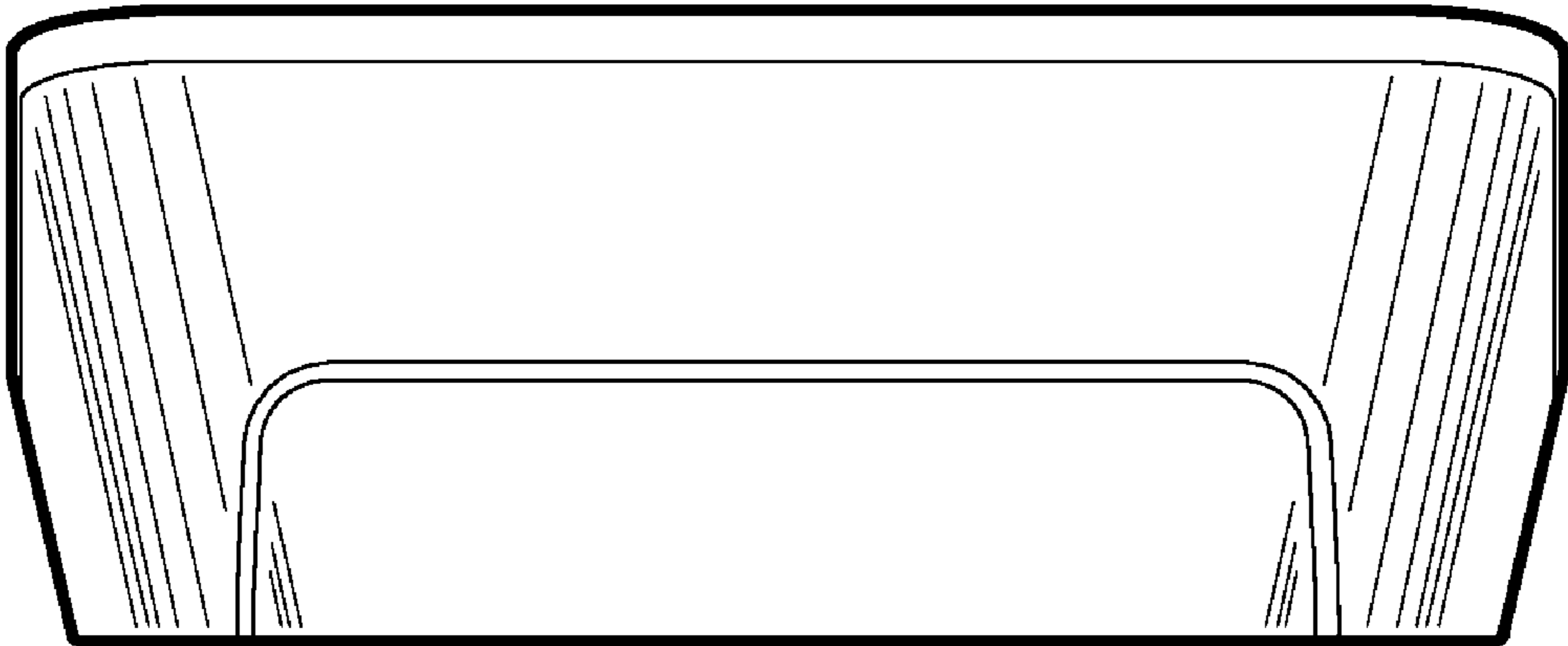


FIG. 7

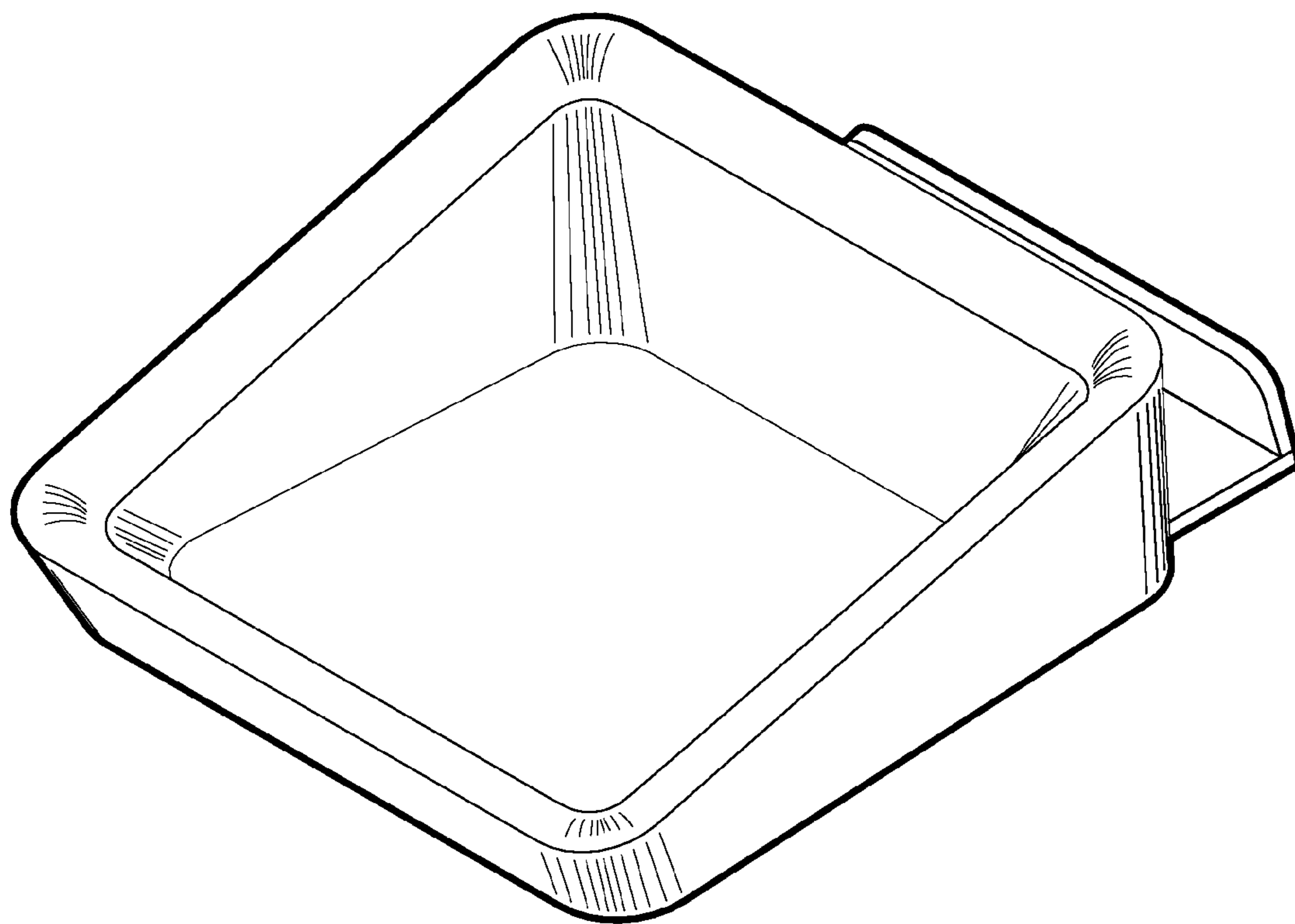


FIG. 8

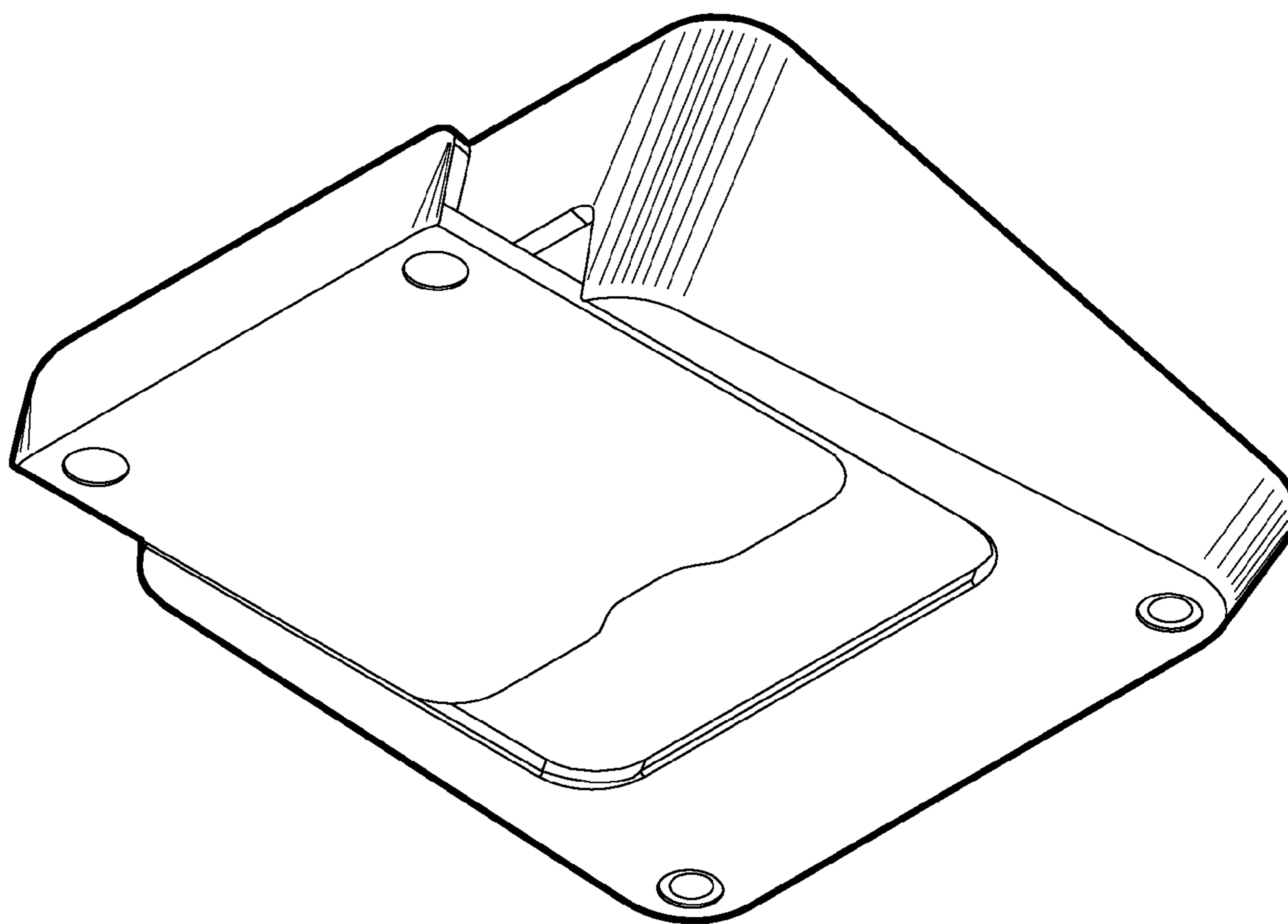


FIG. 9

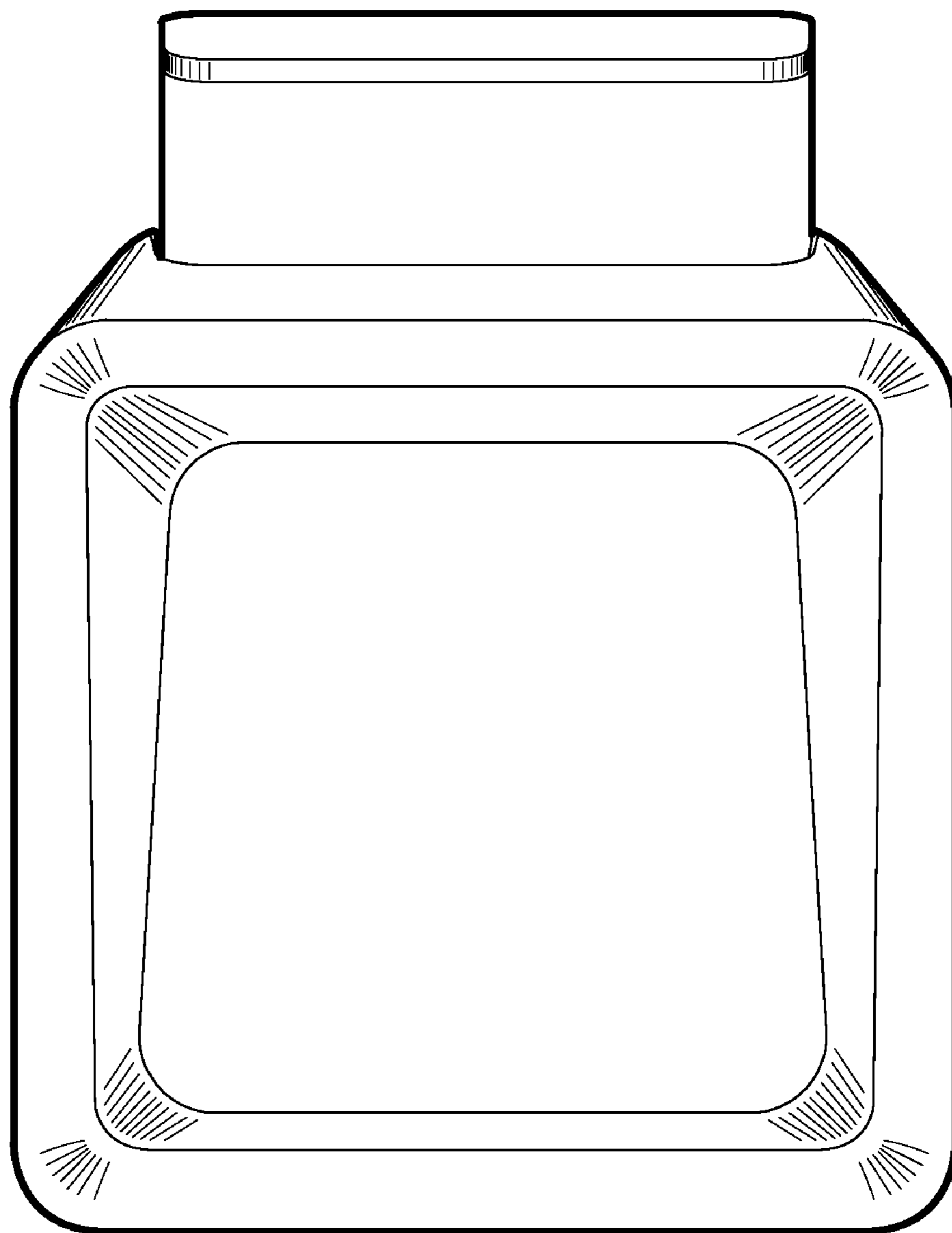


FIG. 10

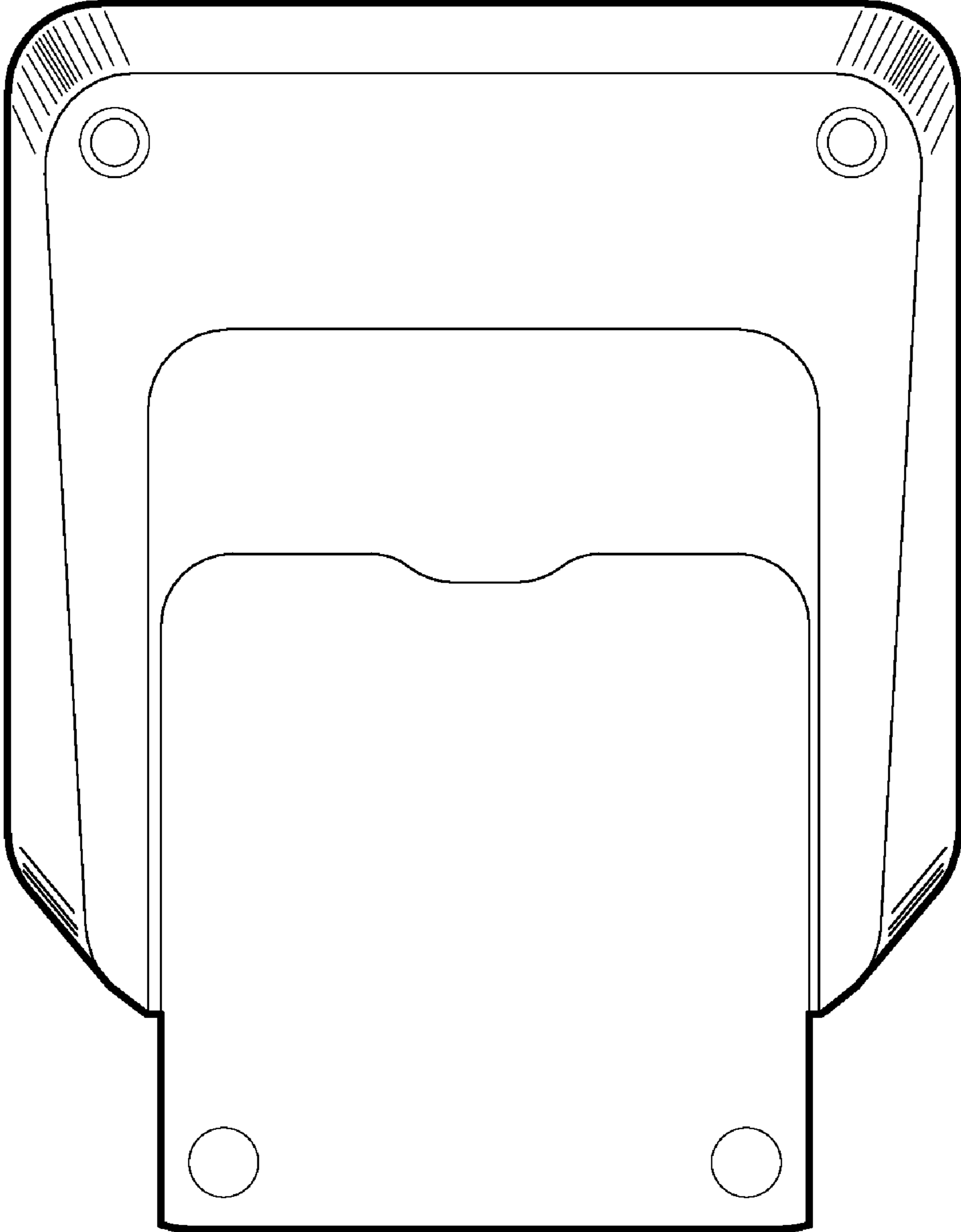


FIG. 11

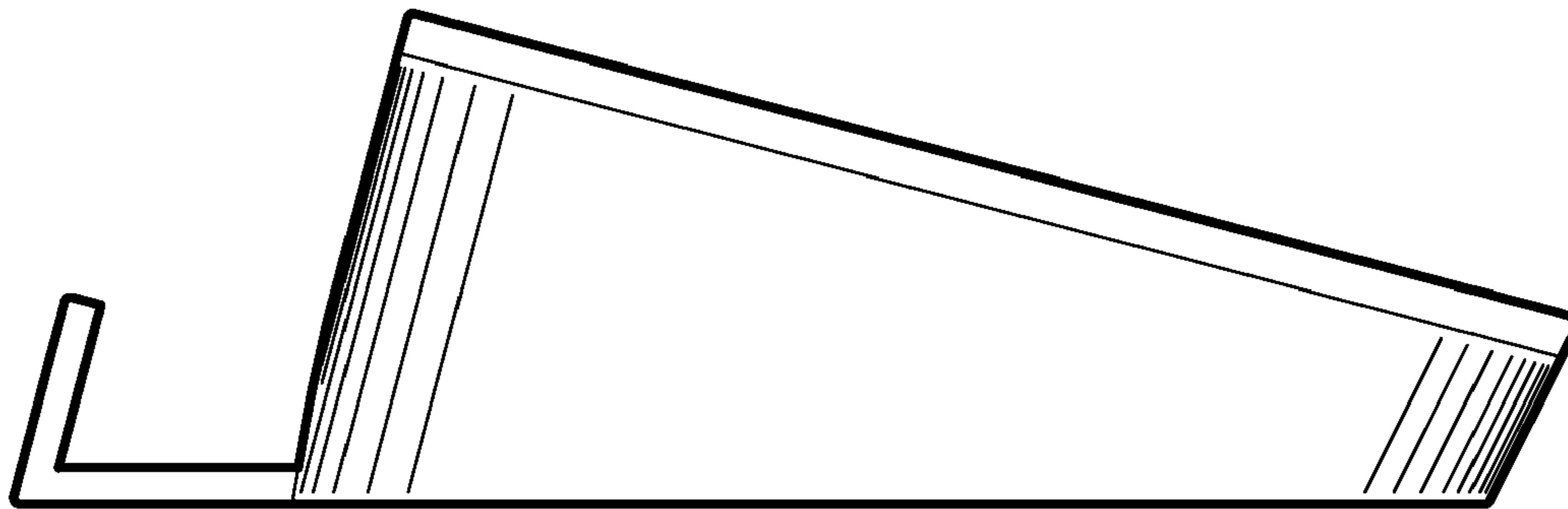


FIG. 12

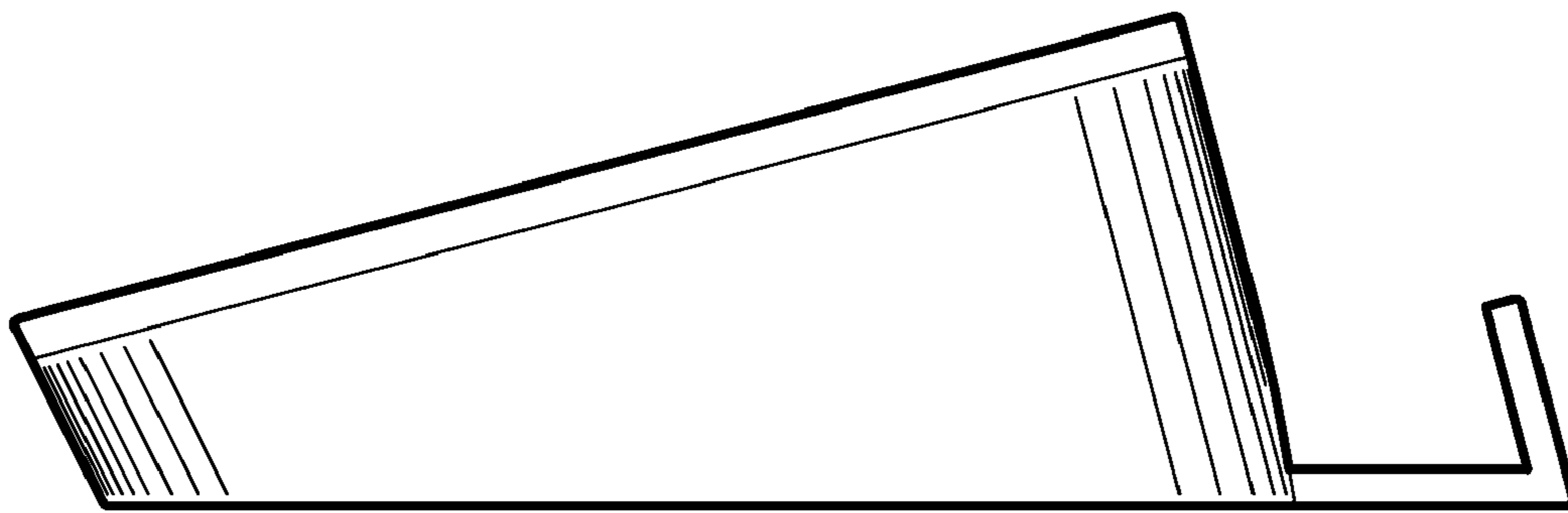


FIG. 13