



US00D637600S

(12) **United States Design Patent**  
**Leyva-Menendez**

(10) **Patent No.:** **US D637,600 S**  
(45) **Date of Patent:** **\*\* May 10, 2011**

(54) **LAPTOP STAND AND PROTECTOR**

(76) Inventor: **Leonel Leyva-Menendez**, Hialeah, FL  
(US)

(\*\*) Term: **14 Years**

(21) Appl. No.: **29/377,458**

(22) Filed: **Oct. 21, 2010**

(51) **LOC (9) Cl.** ..... **08-07**

(52) **U.S. Cl.** ..... **D14/447**

(58) **Field of Classification Search** ..... D14/448,  
D14/439, 440, 447, 449, 450, 451, 452, 432,  
D14/434, 457, 336, 337, 339, 340, 371, 372,  
D14/373, 374, 375, 376, 377, 378, 379, 380,  
D14/381, 382, 126, 127, 128, 129, 203.8,  
D14/217, 238.1, 239; 345/905; 248/917,  
248/918, 919, 920, 921, 922, 923, 924; 348/184,  
348/739, 761, 791, 825, 834, 835; 349/58,  
349/60; D6/406.1, 406.3, 406.4, 406.5, 406.6;  
D8/363, 380; 361/679.06, 679.02, 679.09,  
361/679.21, 679.3, 679.55, 679.56, 679.26,  
361/679.27

See application file for complete search history.

(56) **References Cited**

**U.S. PATENT DOCUMENTS**

D265,561 S \* 7/1982 Cottrell ..... D14/448  
D266,772 S \* 11/1982 Sayers ..... D19/92

D319,463 S \* 8/1991 Clyburn ..... D18/59  
D494,977 S \* 8/2004 Persson ..... D14/447  
D554,647 S \* 11/2007 Chan ..... D14/447  
D555,162 S \* 11/2007 Park et al. .... D14/447  
D557,267 S \* 12/2007 Beilstein et al. .... D14/451  
D564,529 S \* 3/2008 Hughes ..... D14/451  
D574,005 S \* 7/2008 Chung ..... D14/447  
D579,455 S \* 10/2008 Chu ..... D14/447  
D598,024 S \* 8/2009 Scott et al. .... D14/432  
7,663,876 B2 \* 2/2010 Lin ..... 361/679.47  
D620,942 S \* 8/2010 Huang ..... D14/447

\* cited by examiner

*Primary Examiner* — Angela Lee

(74) *Attorney, Agent, or Firm* — Sanchelima & Associates,  
P.A.

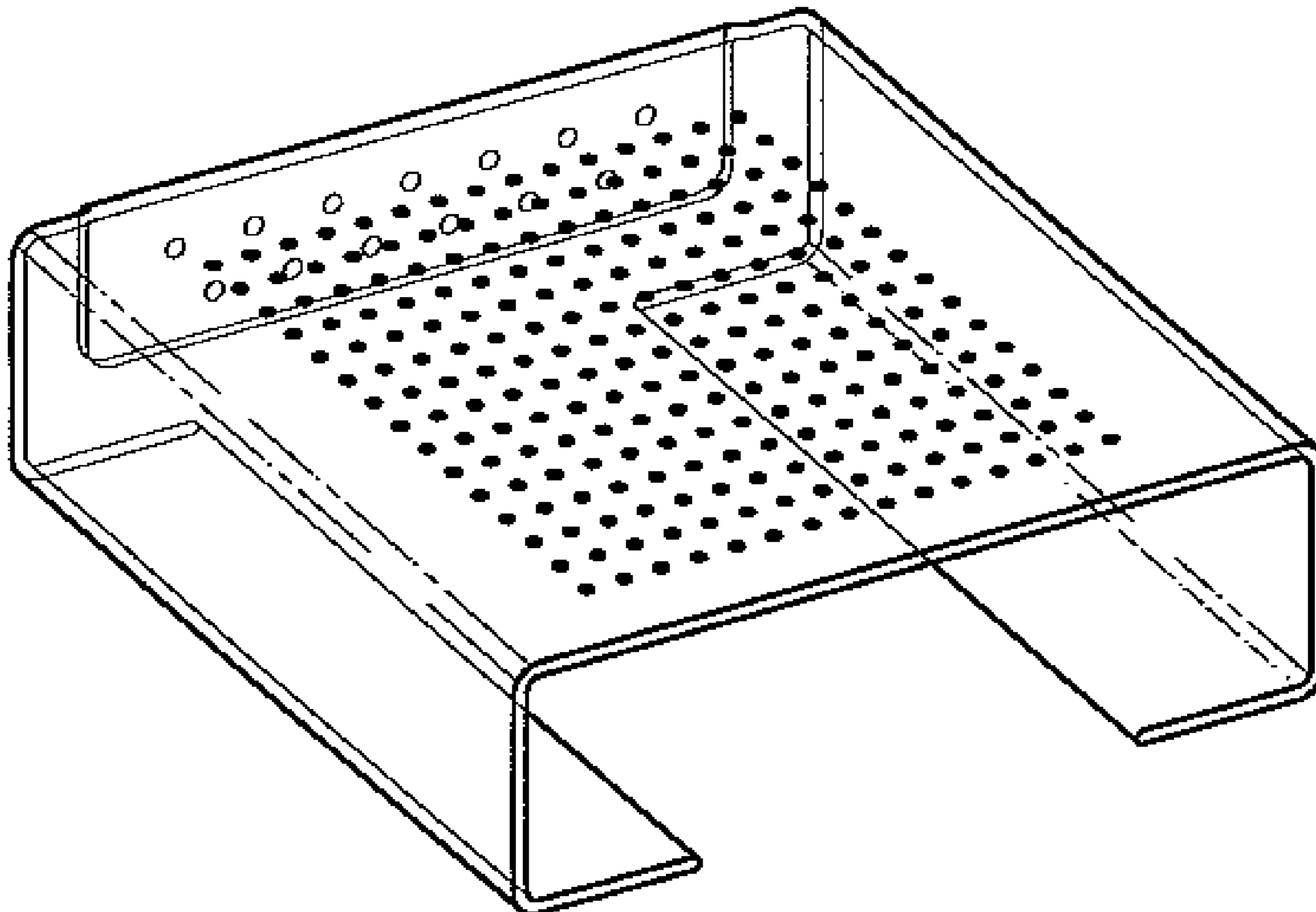
(57) **CLAIM**

The ornamental design for a laptop stand and protector, as shown and described.

**DESCRIPTION**

FIG. 1 is an isometric view of a laptop stand and protector showing my new design;  
FIG. 2 is a rear elevational view thereof;  
FIG. 3 is a top plan view thereof;  
FIG. 4 is a bottom plan view thereof;  
FIG. 5 is a side elevational view thereof; and,  
FIG. 6 is a front elevational view thereof showing my design.

**1 Claim, 2 Drawing Sheets**



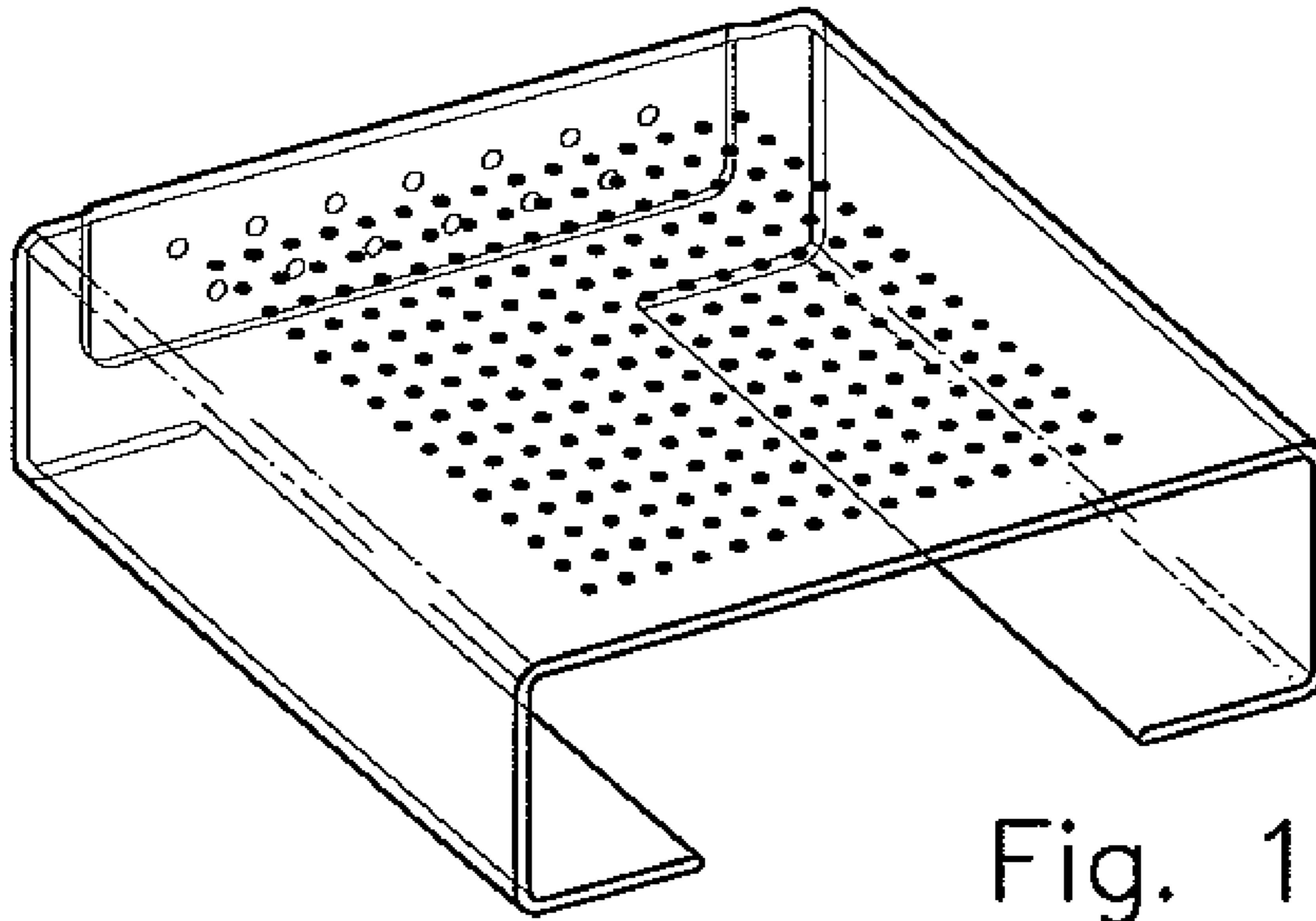


Fig. 1

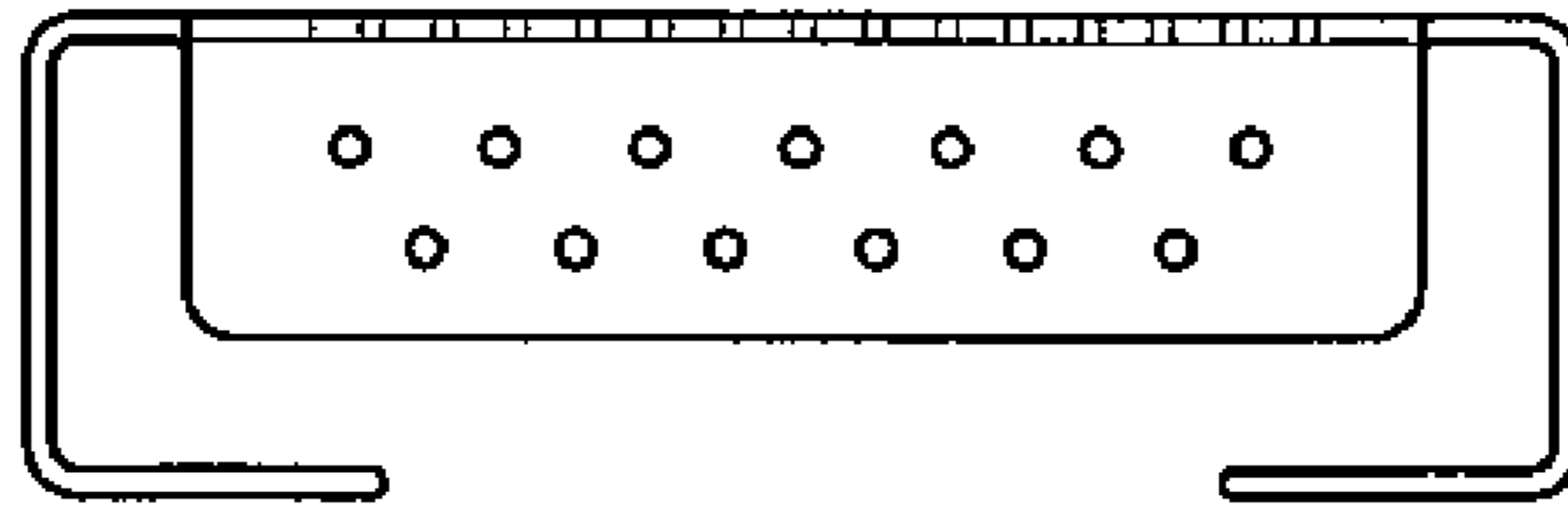


Fig. 2

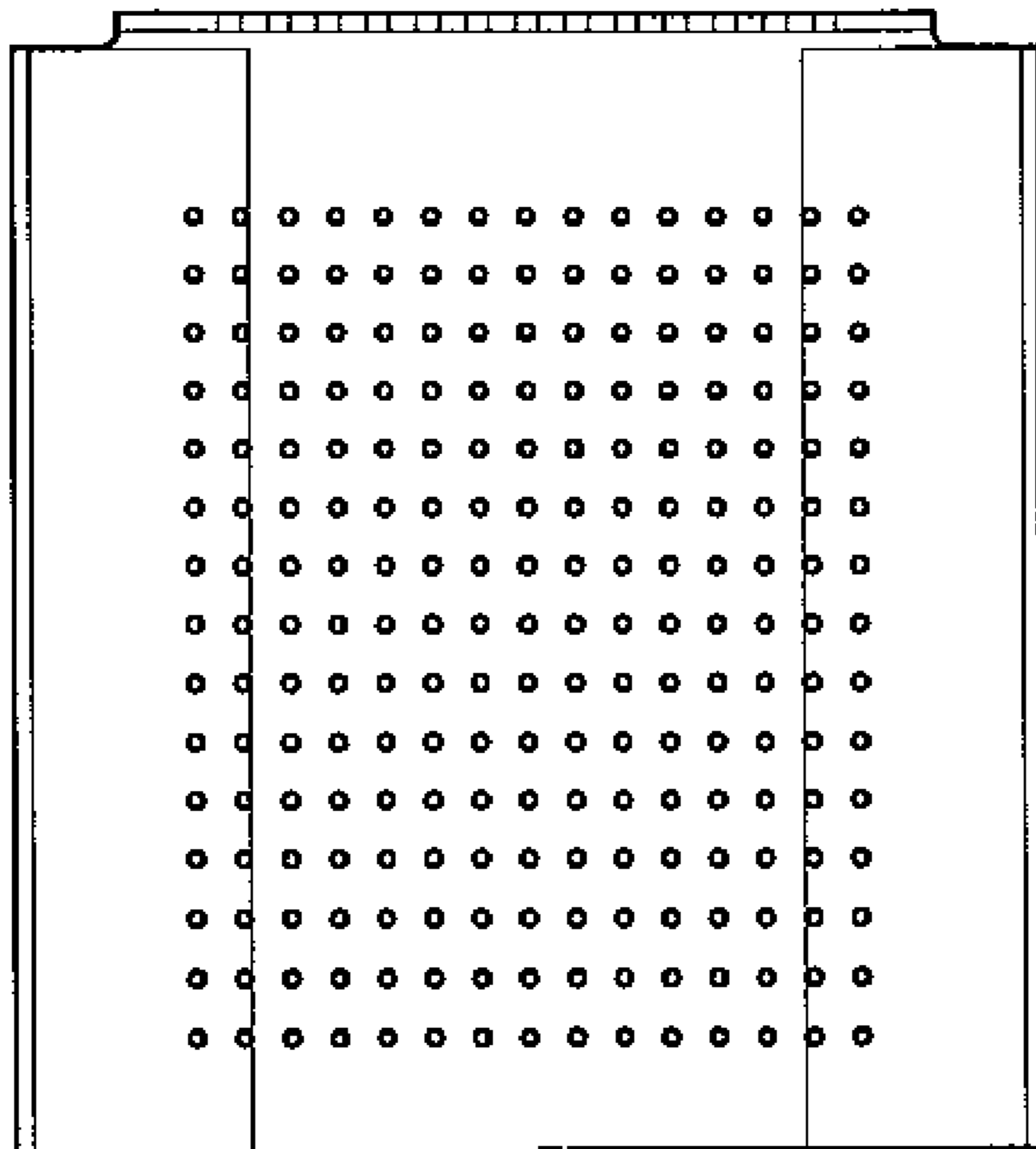


Fig. 3

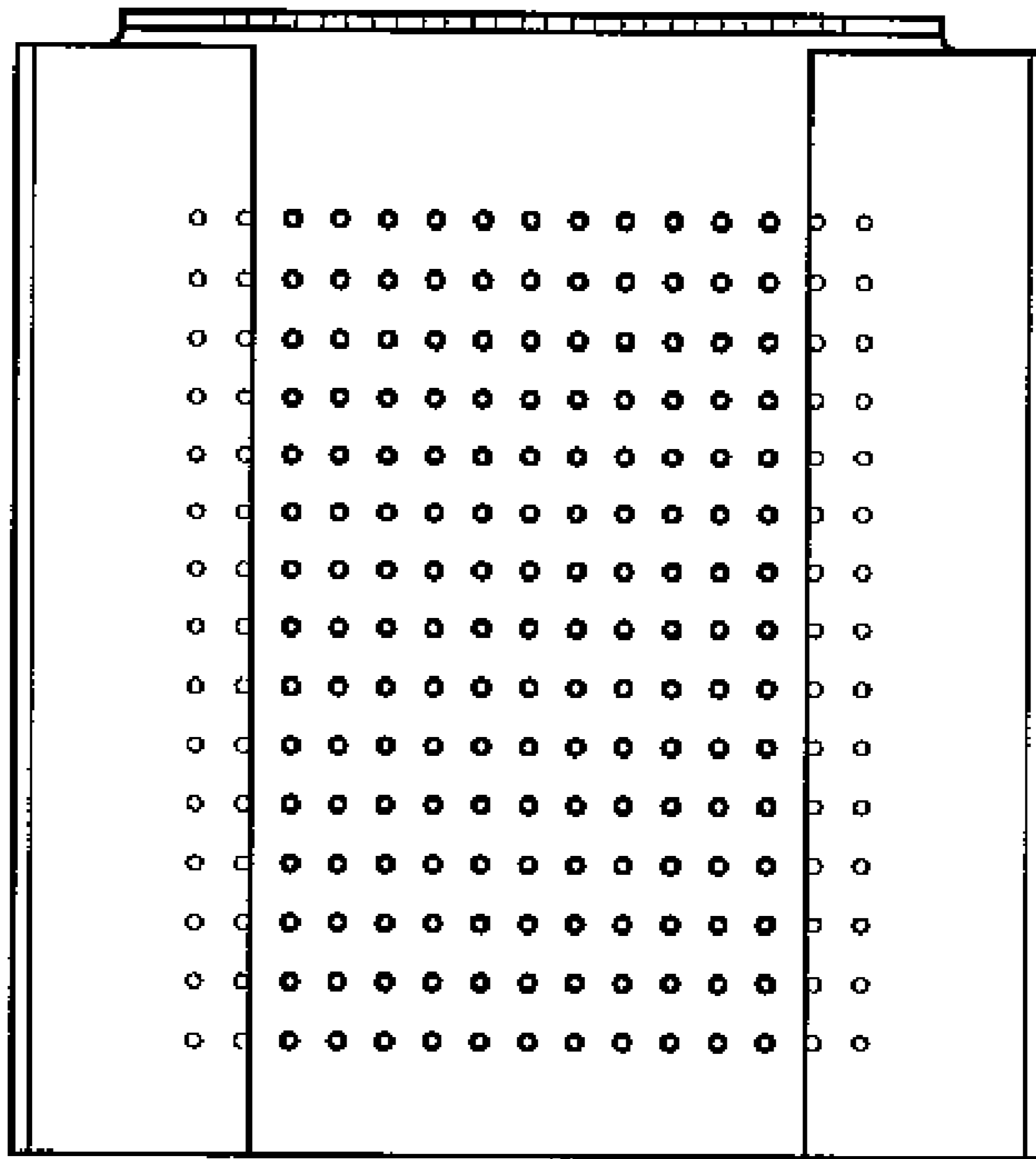


Fig. 4

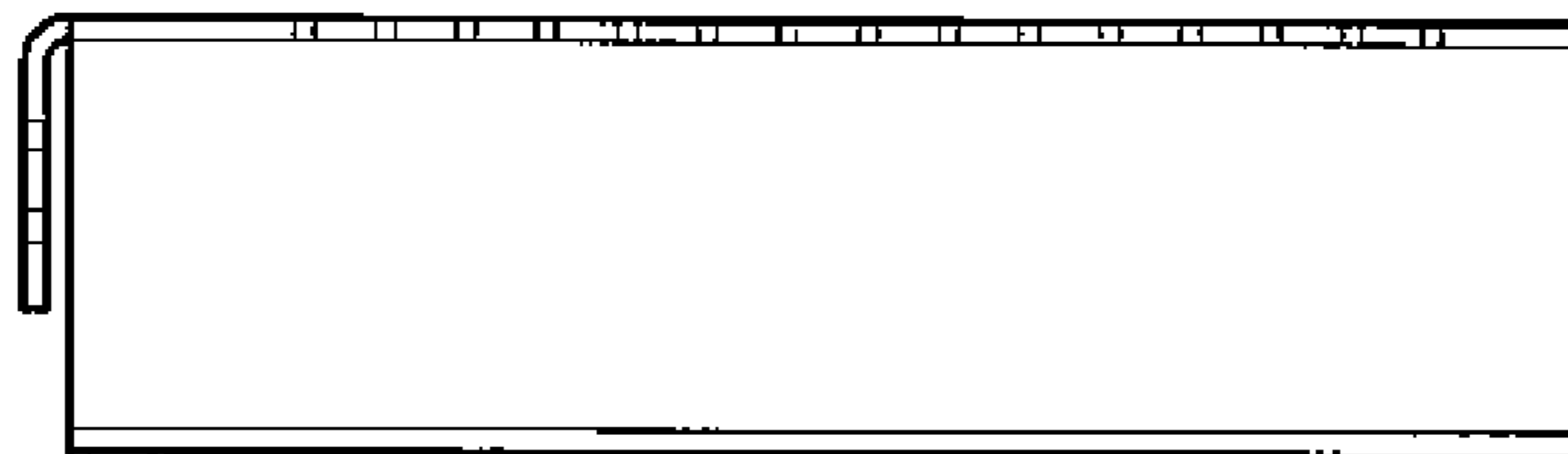


Fig. 5

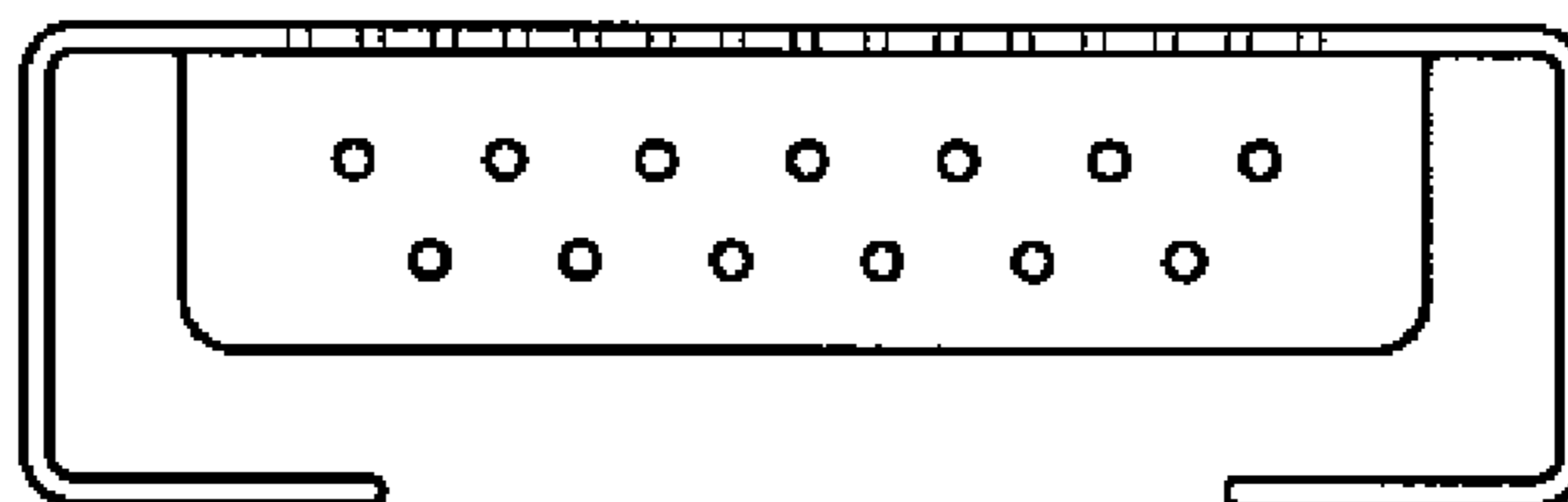


Fig. 6