



US00D637593S

(12) **United States Design Patent**  
**Zanetti**

(10) **Patent No.:** **US D637,593 S**

(45) **Date of Patent:** **\*\* May 10, 2011**

(54) **HOLDER FOR ELECTRONIC EQUIPMENT**

(75) Inventor: **Paolo Zanetti**, Conegliano (IT)

(73) Assignee: **WALMEC Spa**, Milan (IT)

(\*\*) Term: **14 Years**

(21) Appl. No.: **29/368,695**

(22) Filed: **Aug. 27, 2010**

**Related U.S. Application Data**

(63) Continuation of application No. 29/336,567, filed on May 5, 2009, now abandoned.

(51) **LOC (9) Cl.** ..... **14-03**

(52) **U.S. Cl.** ..... **D14/253**

(58) **Field of Classification Search** ..... D14/149,  
D14/250-253, 299, 452, 454, 447, 140, 240,  
D14/242; D8/355, 363, 373, 380, 354; D12/415,  
D12/425; 248/206.2-206.4, 220.21, 279.1,  
248/121, 131, 157, 309.3, 122.1; 379/426,  
379/446, 454, 455, 449; 224/571; D6/466,  
D6/467

See application file for complete search history.

(56) **References Cited**

**U.S. PATENT DOCUMENTS**

D314,771 S *	2/1991	Kirchner et al. ....	D14/251
6,227,513 B1 *	5/2001	Richard .....	248/346.07
D473,563 S *	4/2003	Russell .....	D14/447
D513,470 S *	1/2006	Gillespie et al. ....	D8/355
D534,789 S *	1/2007	Worrall et al. ....	D8/363
D536,603 S *	2/2007	Worrall et al. ....	D8/363
D537,706 S *	3/2007	Ly Hau et al. ....	D8/363
D543,547 S *	5/2007	Muday et al. ....	D14/452
D558,773 S *	1/2008	Derry et al. ....	D14/447
D560,470 S *	1/2008	Short et al. ....	D8/354
D565,938 S *	4/2008	Massoumi et al. ....	D8/363
D566,531 S *	4/2008	Massoumi et al. ....	D8/363
D568,144 S *	5/2008	Wohlford et al. ....	D8/363
D568,326 S *	5/2008	Muday et al. ....	D14/452

D570,836 S *	6/2008	Chen .....	D14/253
D576,633 S *	9/2008	Muday et al. ....	D14/452
D579,319 S *	10/2008	Short .....	D8/354
D580,741 S *	11/2008	Short .....	D8/354
D605,184 S *	12/2009	Mercial et al. ....	D14/238
2004/0011932 A1 *	1/2004	Duff .....	248/157

**FOREIGN PATENT DOCUMENTS**

WO	DM/057887	* 11/2001
WO	DM/065106	* 4/2003

\* cited by examiner

*Primary Examiner* — Robert M Spear

*Assistant Examiner* — Carla Jobe Wright

(74) *Attorney, Agent, or Firm* — Egbert Law Offices PLLC

(57) **CLAIM**

The ornamental design for a holder for electronic equipment, as shown and described.

**DESCRIPTION**

FIG. 1 is a front elevation view of the holder for electronic equipment showing my new design.

FIG. 2 is a back elevation view thereof;

FIG. 3 is a front perspective view thereof;

FIG. 4 is a rear perspective view thereof;

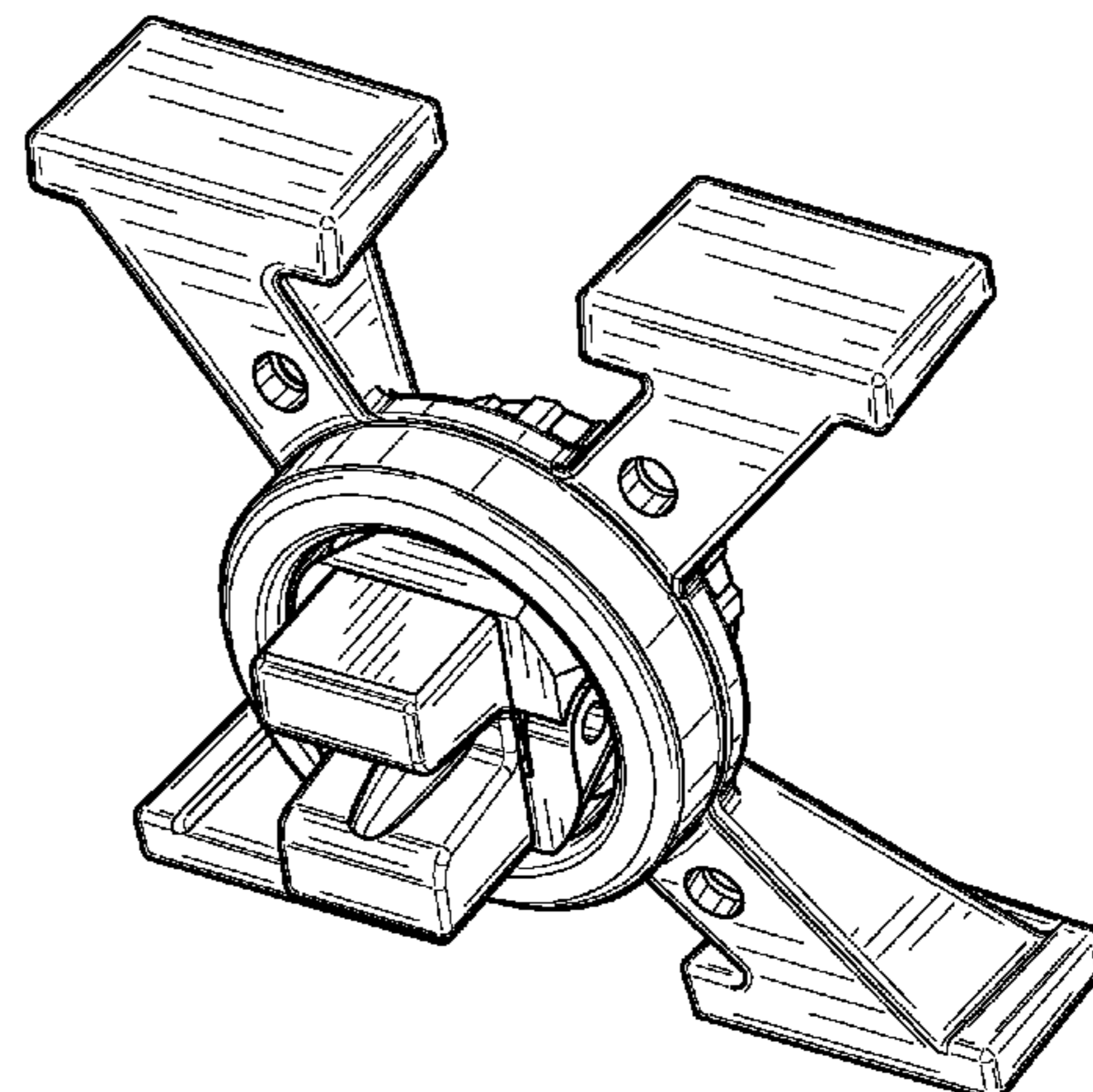
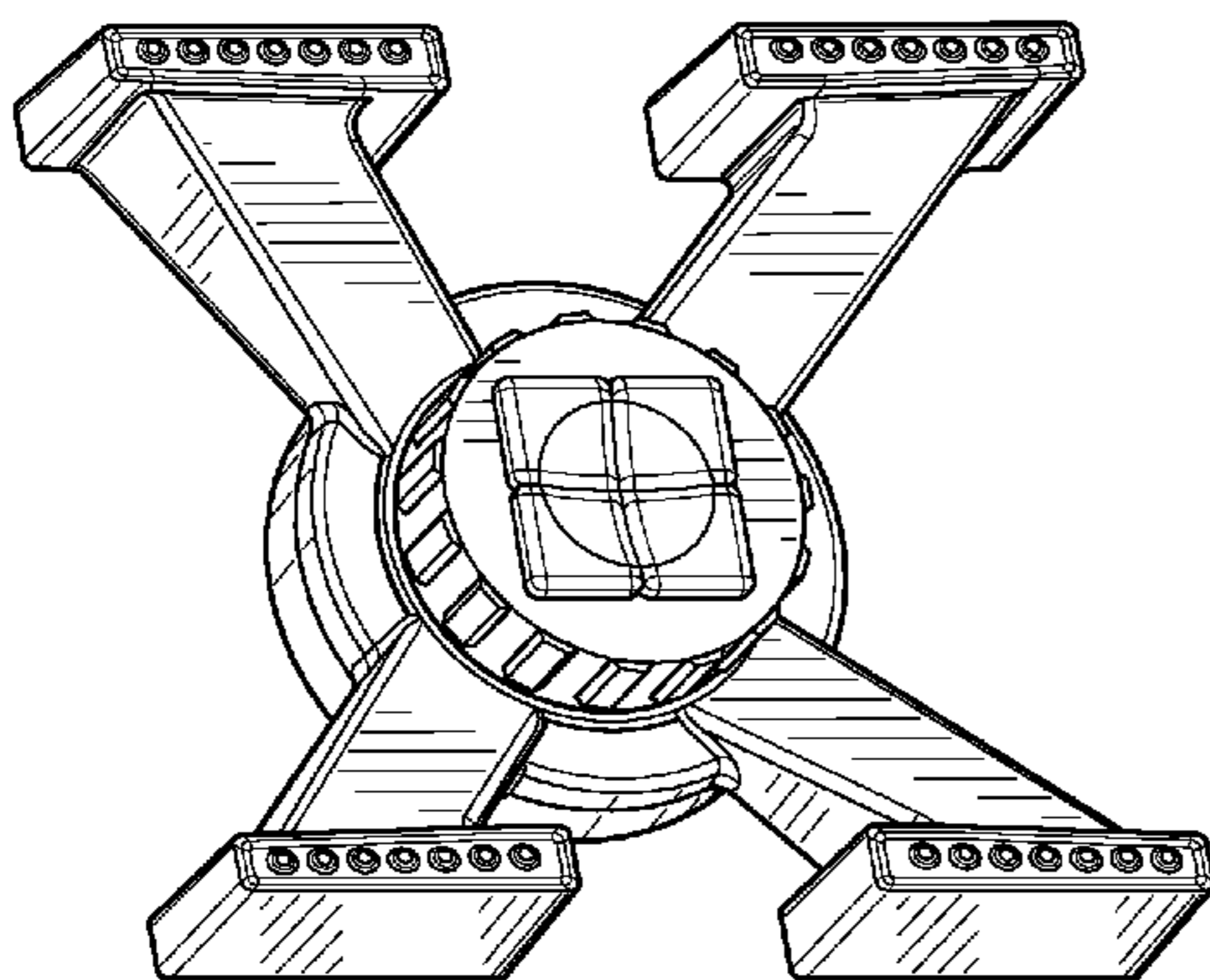
FIG. 5 is a top plan view thereof;

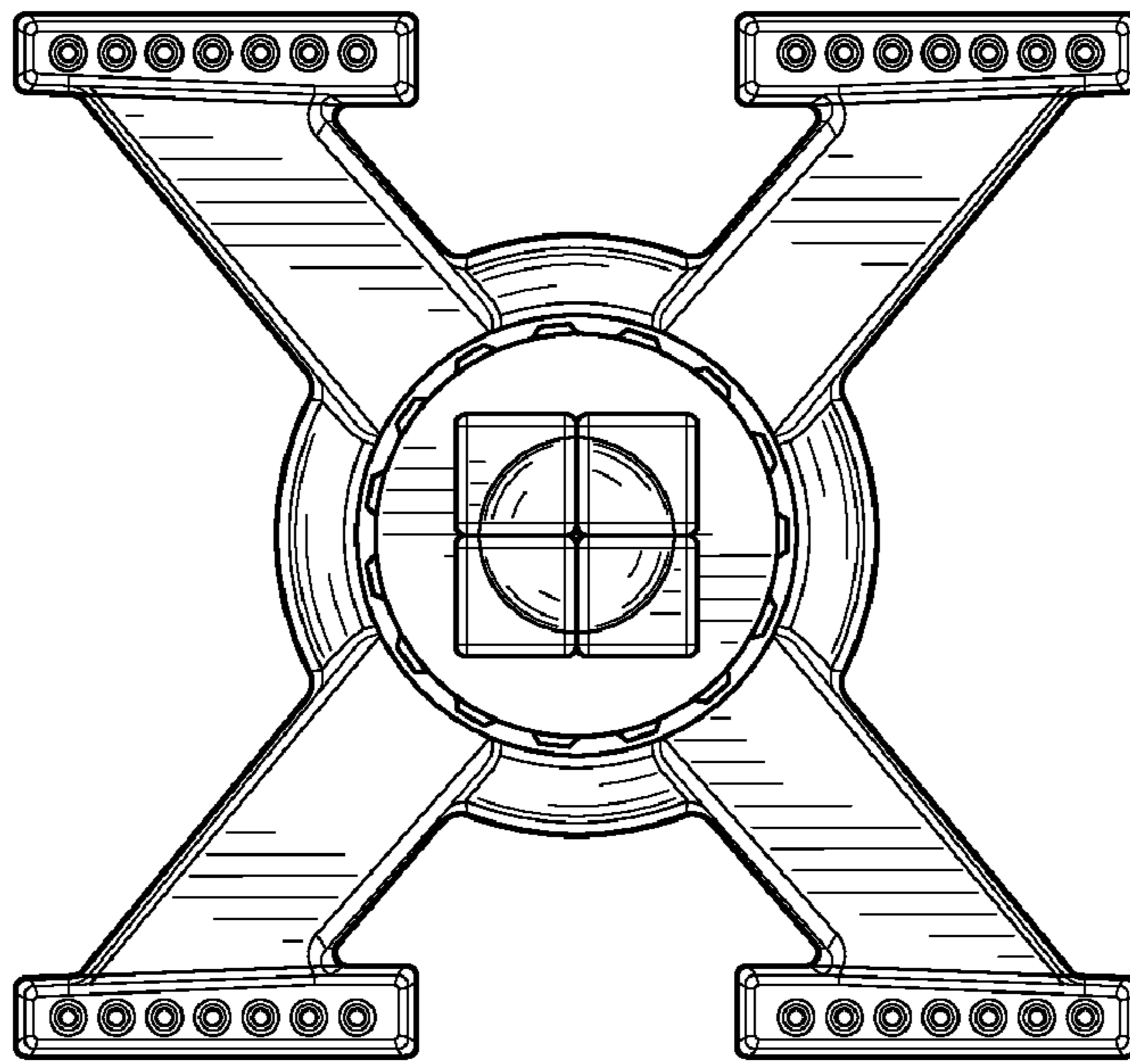
FIG. 6 is side elevation view thereof, the opposite side being a mirror image thereof; and,

FIG. 7 is bottom plan view thereof.

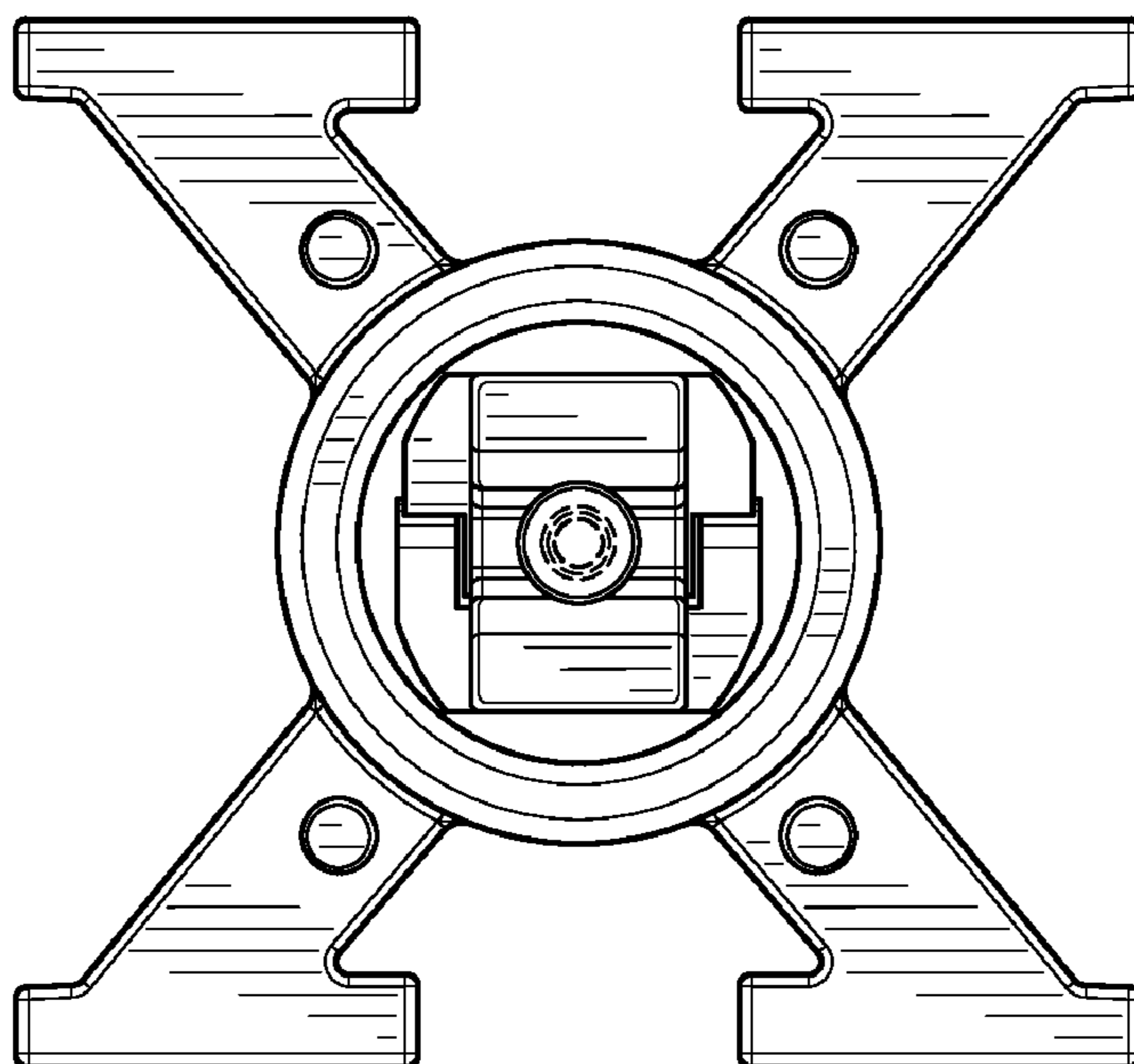
The holder is removably mounted on the air vent frame in a motor vehicle, and an electronic device, such as a GPS module or cellular phone, is supported on the front of the holder. The driver is able to see the display of the electronic device while operating the vehicle. The broken line immediately adjacent the claimed surfaces represents a boundary of the claimed design. All other broken lines depict unclaimed environment. The broken lines and unshaded regions bounded by broken lines form no part of the claimed design.

**1 Claim, 3 Drawing Sheets**



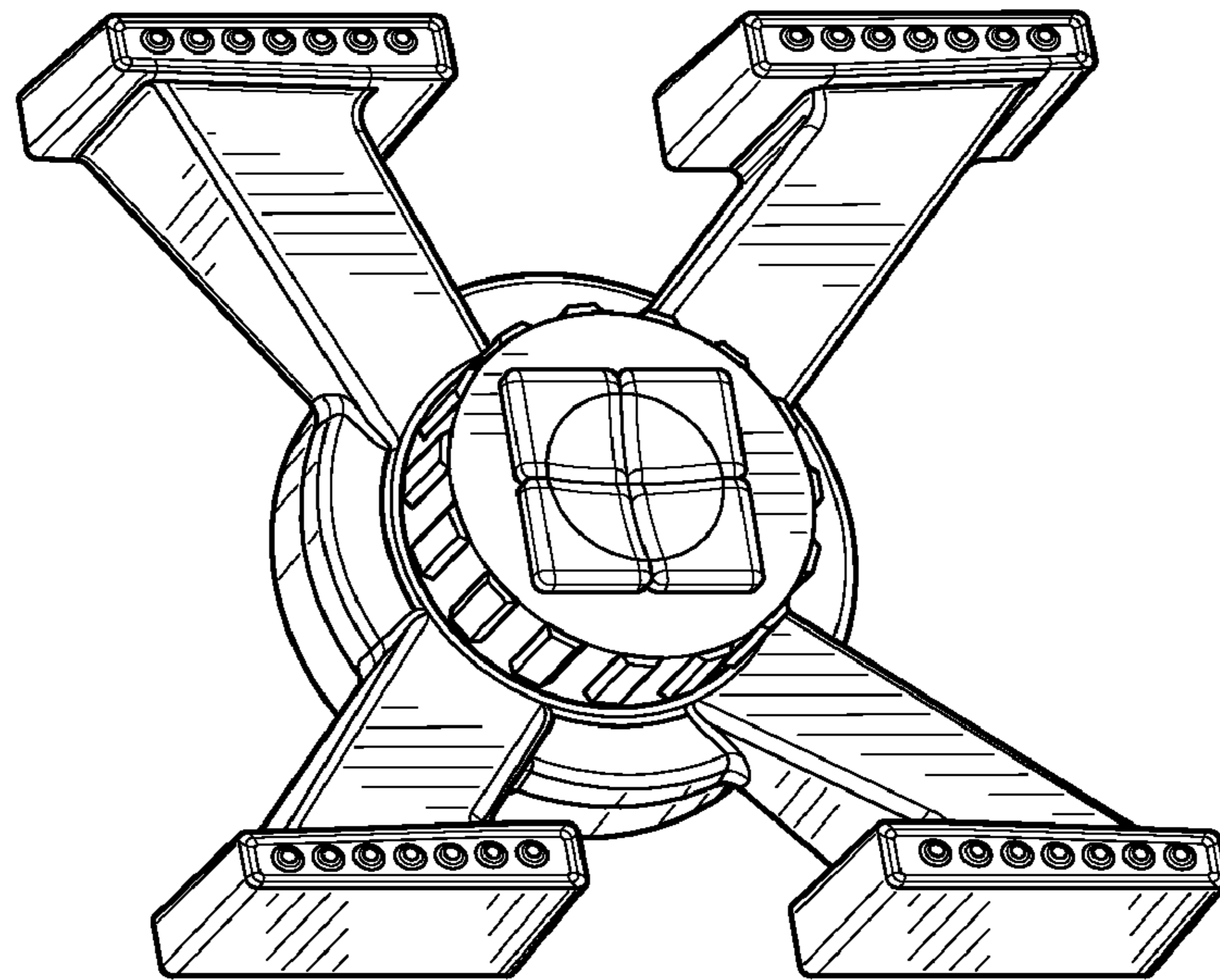


*FIG. 1*

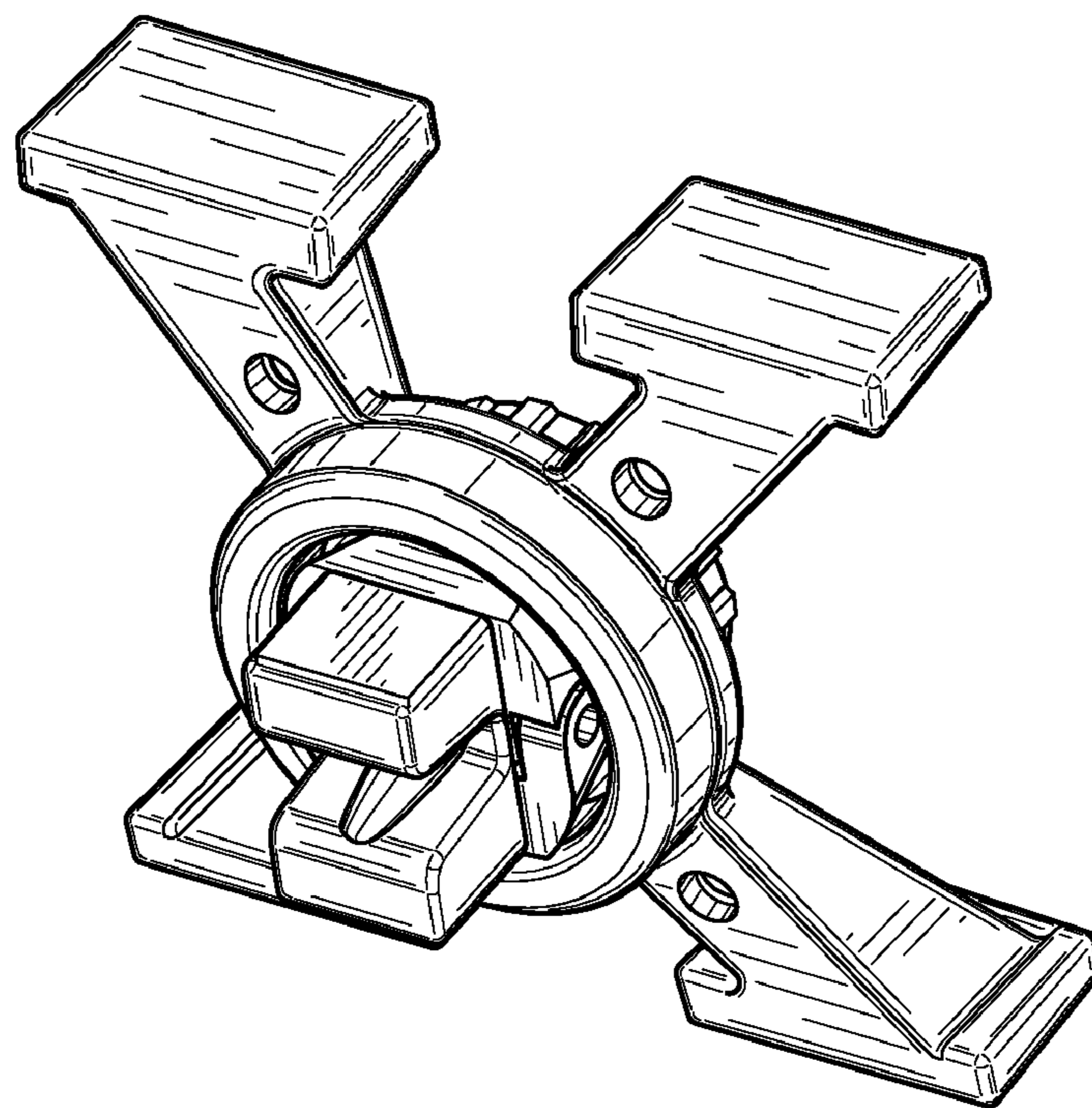


*FIG. 2*

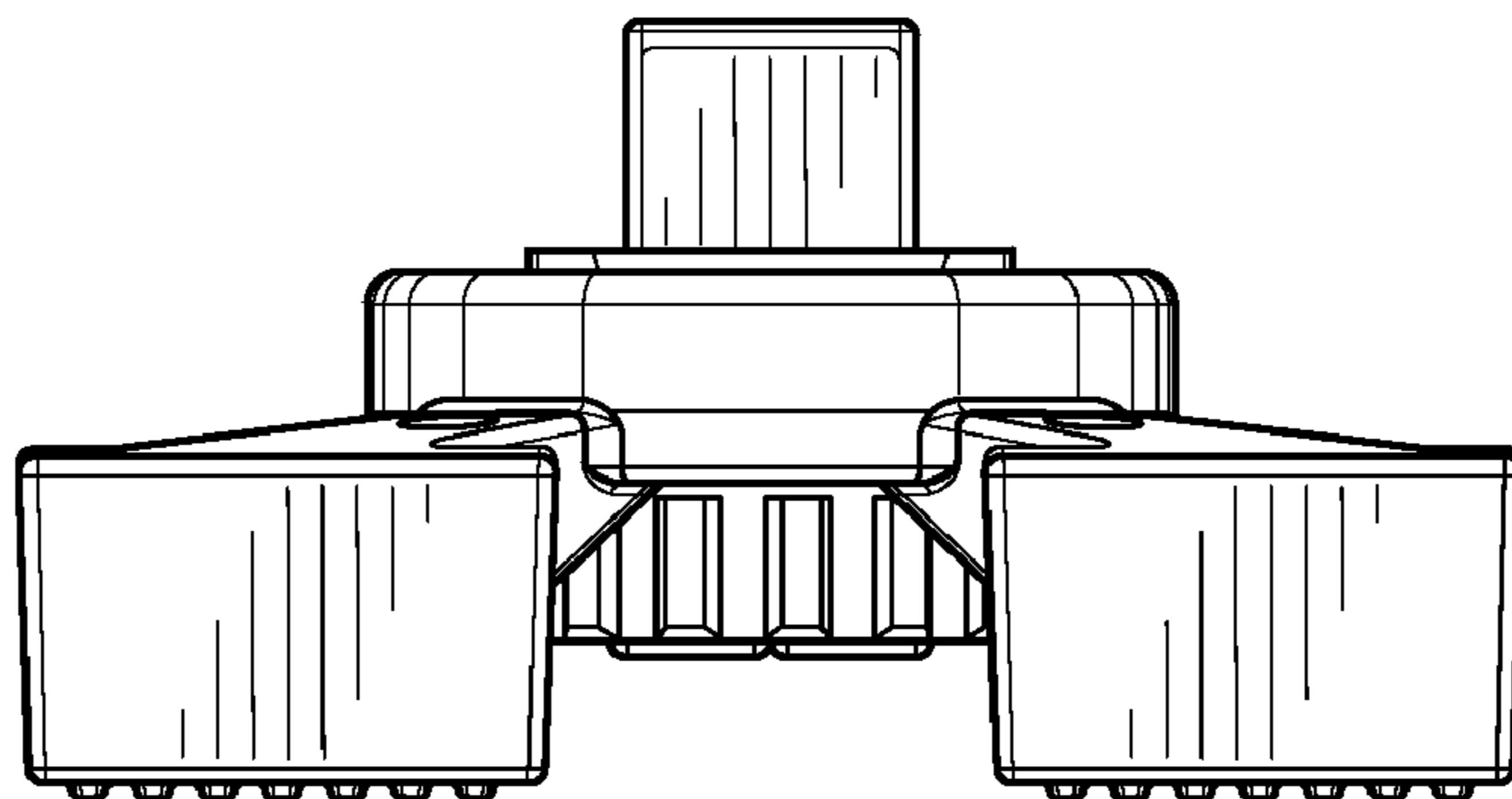




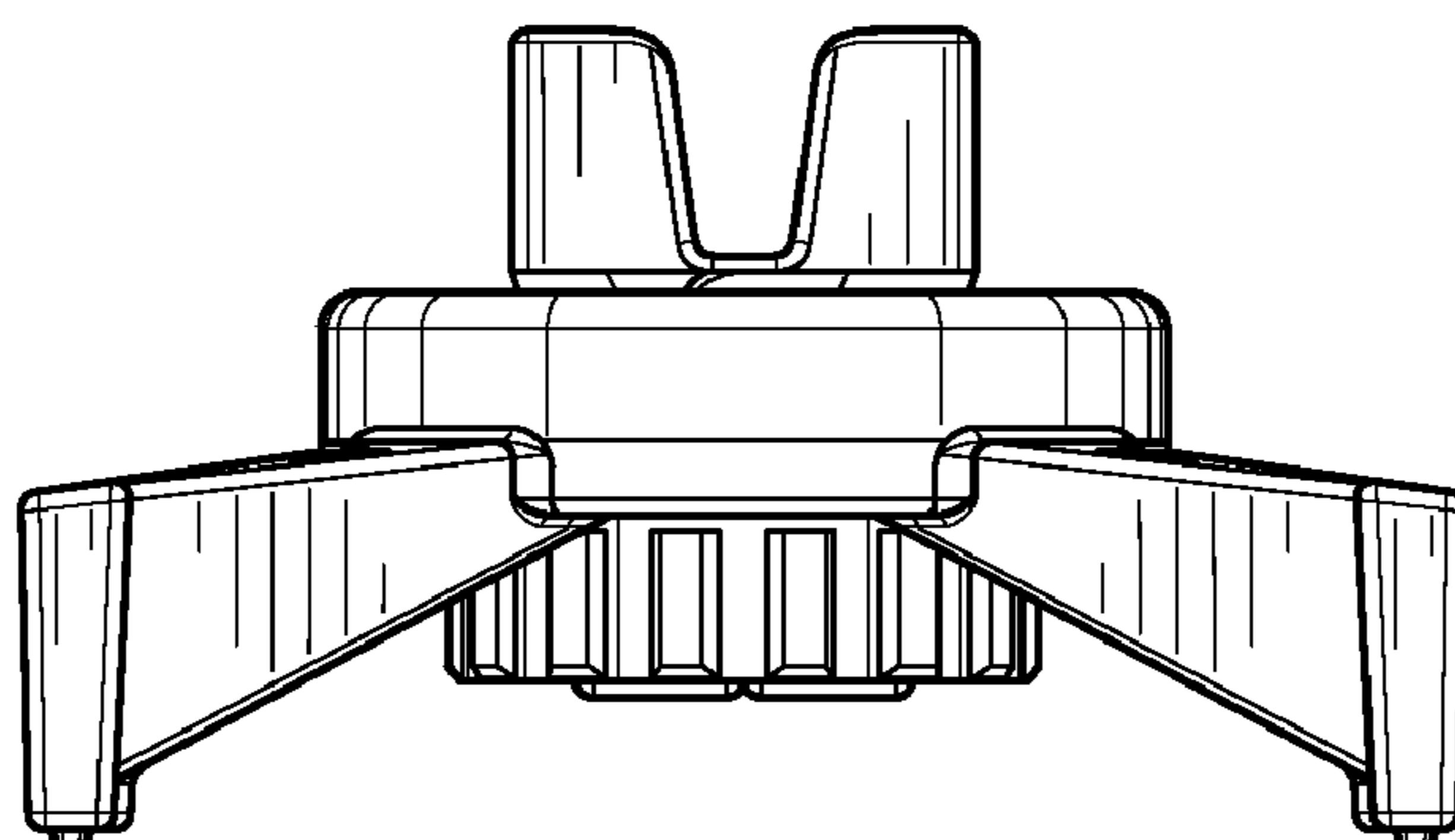
*FIG. 3*



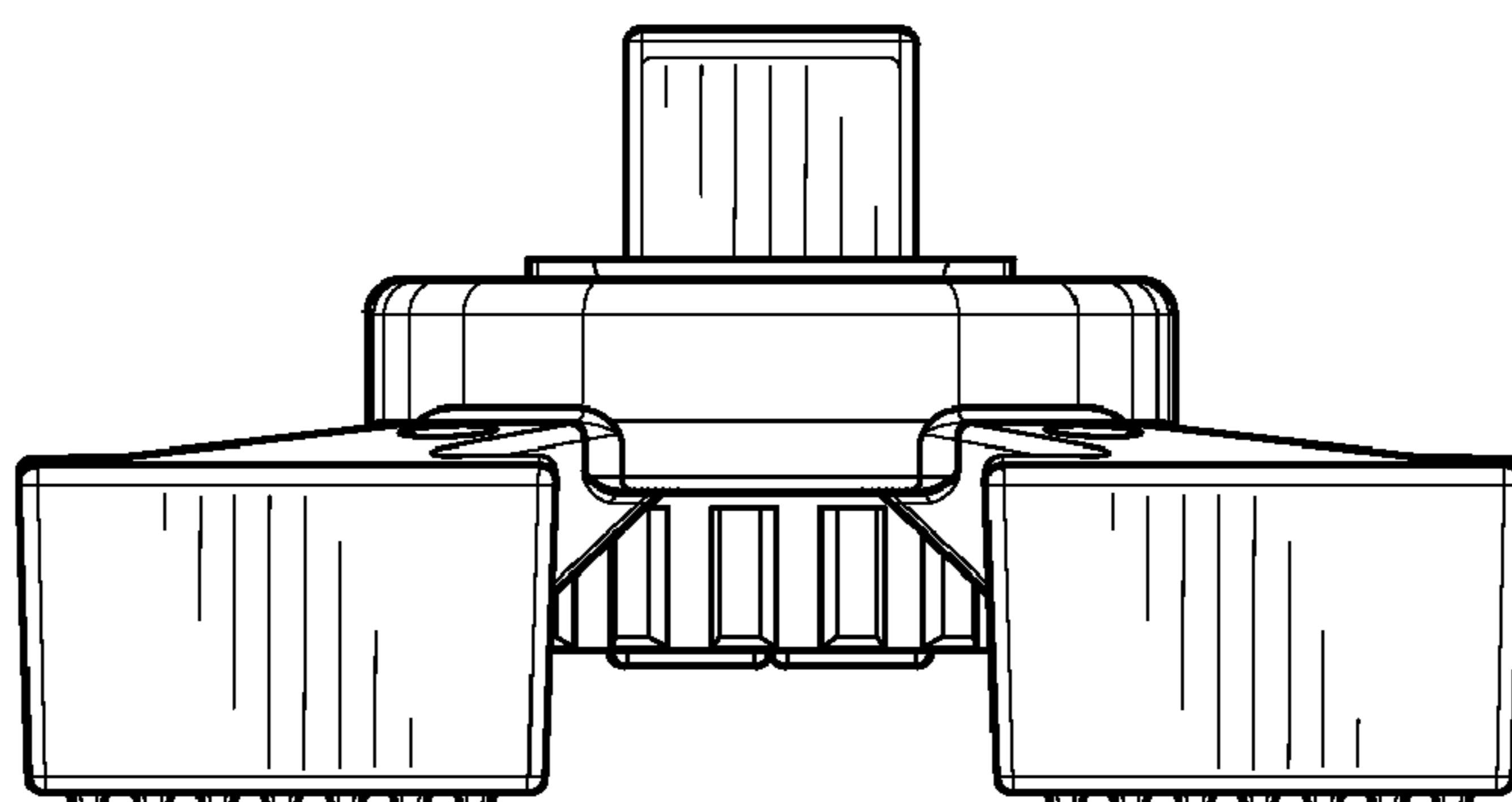
*FIG. 4*



*FIG. 5*



*FIG. 6*



*FIG. 7*