



US00D637586S

(12) **United States Design Patent**  
**Lee**

(10) **Patent No.:** **US D637,586 S**  
(45) **Date of Patent:** **\*\* May 10, 2011**

(54) **WALL MOUNT FOR TELEVISION**

(75) Inventor: **Sang-Young Lee**, Gwangmyeong-Si (KR)

(73) Assignee: **Samsung Electronics Co., Ltd.** (KR)

(\*\*) Term: **14 Years**

(21) Appl. No.: **29/371,053**

(22) Filed: **Sep. 30, 2010**

(30) **Foreign Application Priority Data**

Sep. 15, 2010 (KR) ..... 30-2010-0040733

(51) **LOC (9) Cl.** ..... **14-03**

(52) **U.S. Cl.** ..... **D14/239**

(58) **Field of Classification Search** ..... D14/125-134, D14/239, 371, 136, 374-377; D8/363, 373, D8/349, 394; 248/465, 917-924, 123.11; 348/825, 827, 836, 837, 838, 180, 184, 325, 348/739; 600/443; D6/477-479, 407, 474, D6/460, 461, 468; 312/7.2; 341/12; 345/87, 345/104, 133, 156, 168, 169, 173; 720/605, 720/669, 600, 655; 369/99, 197; 455/344-347; 349/1, 2, 11, 62; 108/59, 91, 92, 96; 211/40, 211/41.12, 42, 49.1, 50, 85.2, 90.04, 187, 211/190, 119.003, 134.15, 3, 87.01, 71.01

See application file for complete search history.

(56) **References Cited**

**U.S. PATENT DOCUMENTS**

4,327,535 A \* 5/1982 Governale ..... 52/309.11  
6,340,146 B1 \* 1/2002 Tzeng ..... 248/317

6,494,429 B2 \* 12/2002 Tajima ..... 248/473  
7,316,379 B1 \* 1/2008 Graham ..... 248/298.1  
7,492,099 B2 \* 2/2009 Bang ..... 313/582  
7,515,403 B2 \* 4/2009 Hong ..... 361/679.22  
7,530,538 B2 \* 5/2009 Whalen et al. .... 248/125.8  
7,768,775 B2 \* 8/2010 Kim ..... 361/679.27  
2006/0186277 A1 \* 8/2006 Miyashiro ..... 248/27.1

\* cited by examiner

*Primary Examiner* — Raphael Barkai  
*Assistant Examiner* — Randall Gholson  
(74) *Attorney, Agent, or Firm* — NSIP Law

(57) **CLAIM**

The ornamental design for a wall mount for television, as shown and described.

**DESCRIPTION**

FIG. 1 is a perspective view of a wall mount for television;  
FIG. 2 is a front view of the wall mount for television of FIG. 1;  
FIG. 3 is a rear view of the wall mount for television of FIG. 1;  
FIG. 4 is a left-side view of the wall mount for television of FIG. 1;  
FIG. 5 is a right-side view of the wall mount for television of FIG. 1;  
FIG. 6 is a top plan view of the wall mount for television of FIG. 1;  
FIG. 7 is a bottom plan view of the wall mount for television of FIG. 1; and,  
FIG. 8 is a perspective view of the wall mount for television of FIG. 1 in the backdrop of a television to illustrate use.  
The broken lines in the drawing showing the wall mount for television form no part of the claimed design.

**1 Claim, 6 Drawing Sheets**

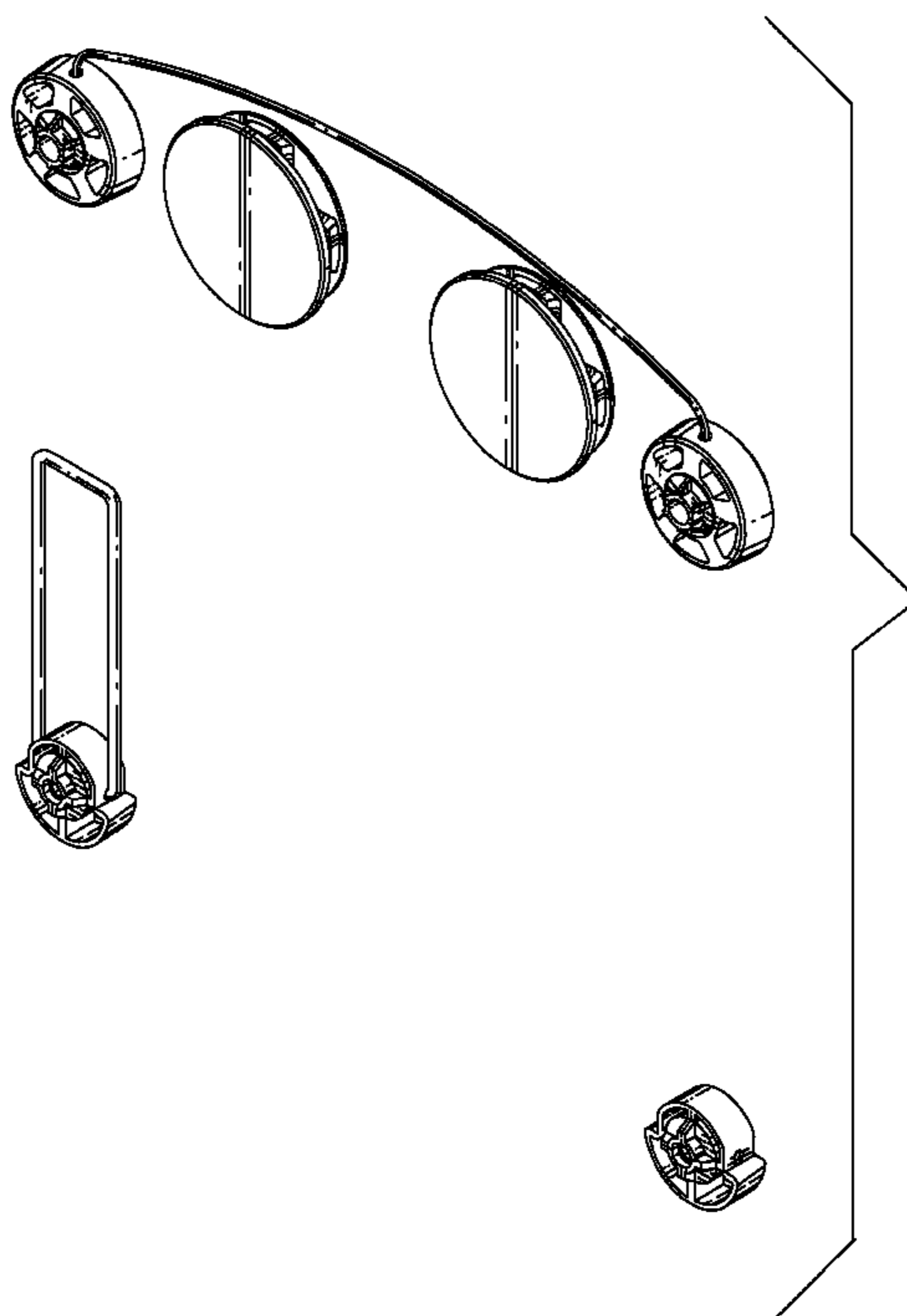


FIG. 1

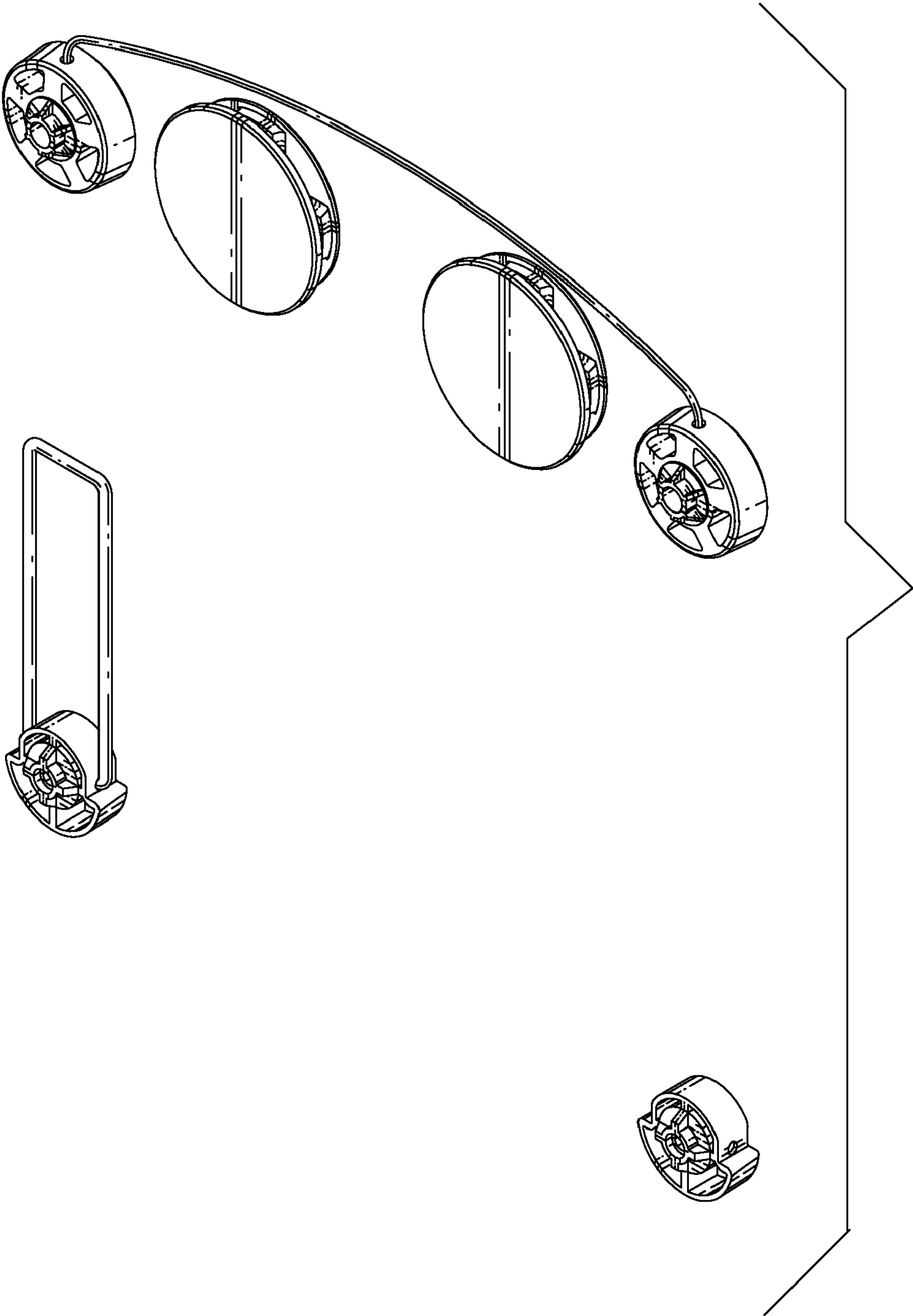


FIG. 2

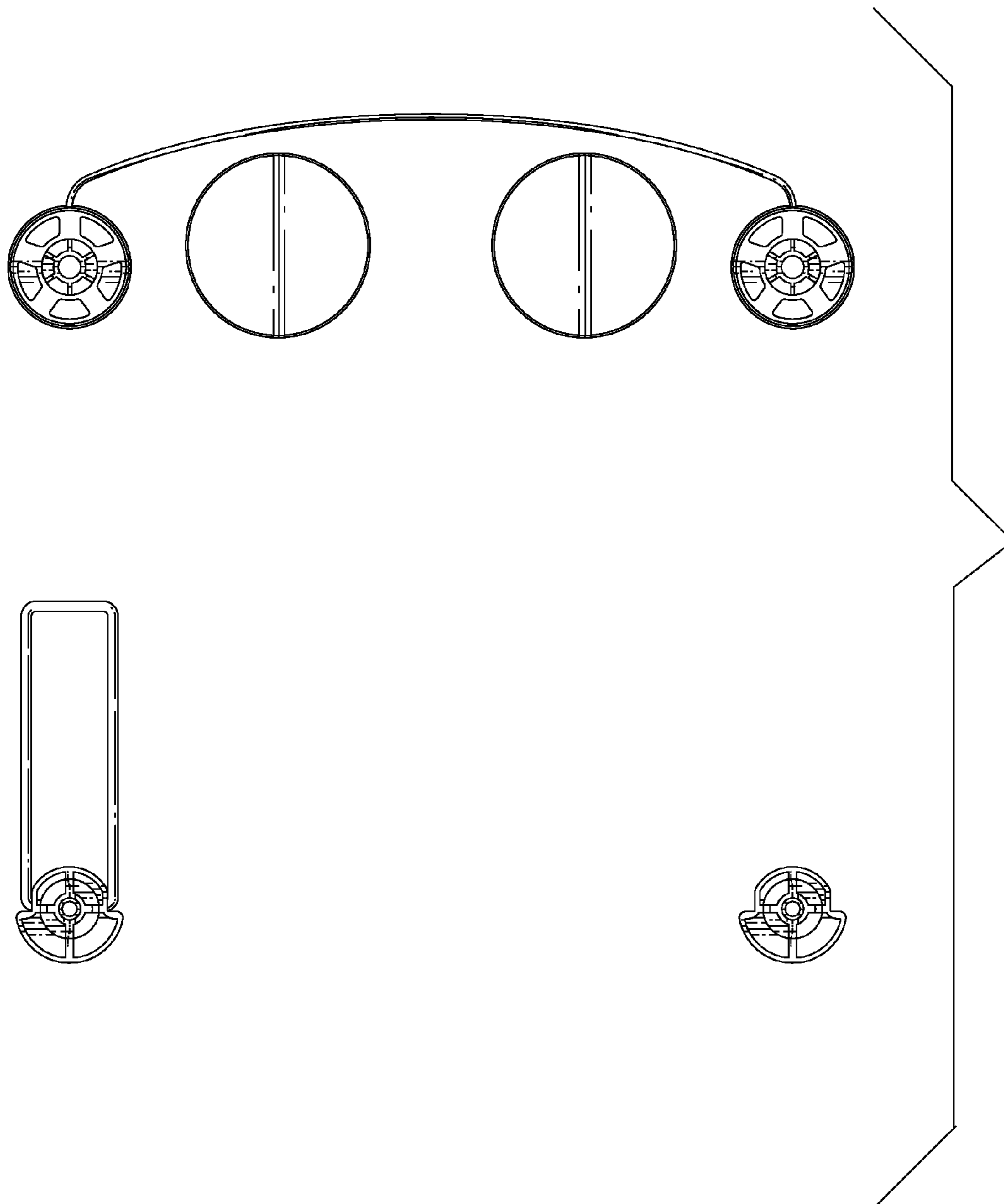


FIG. 3

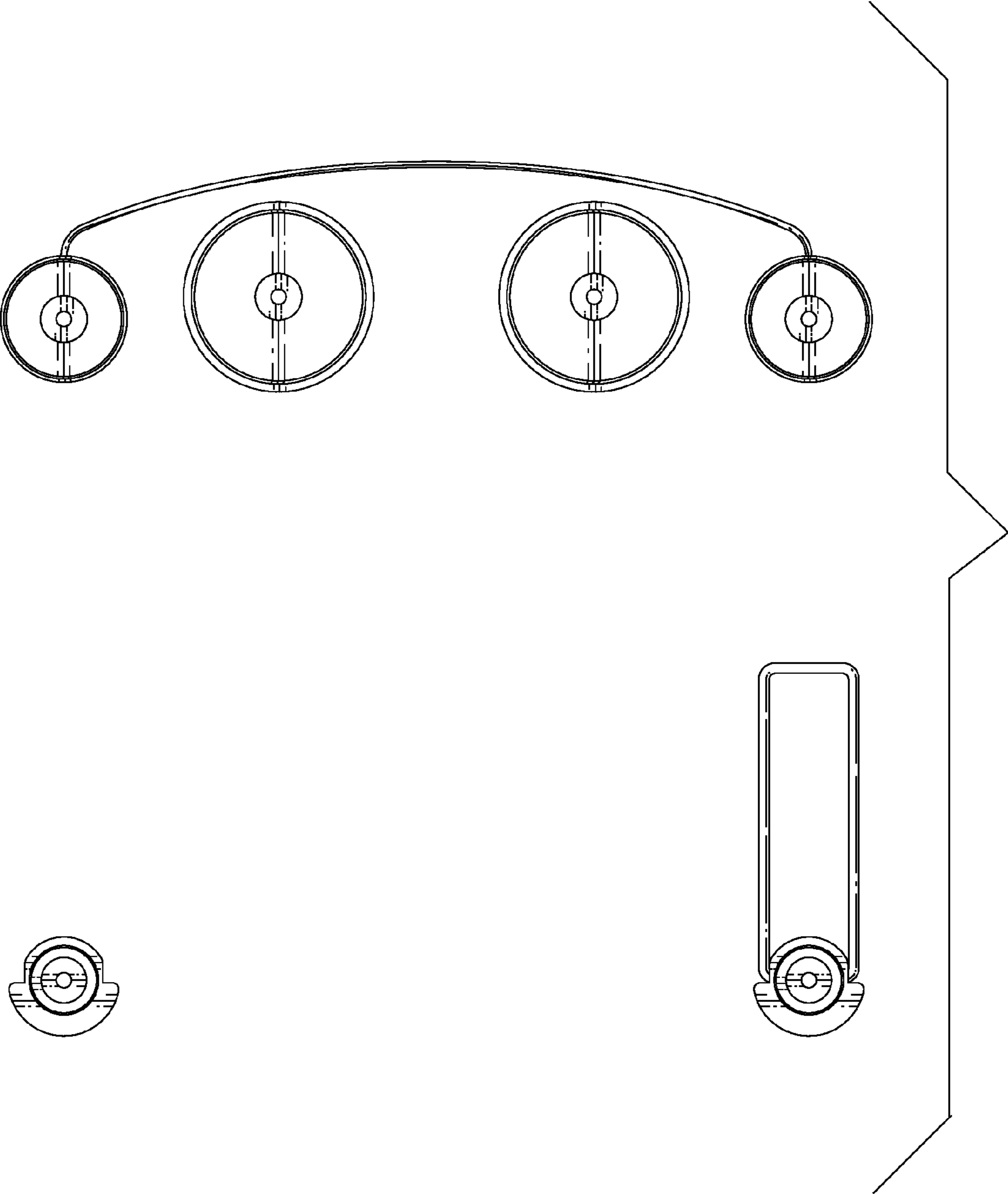


FIG. 4

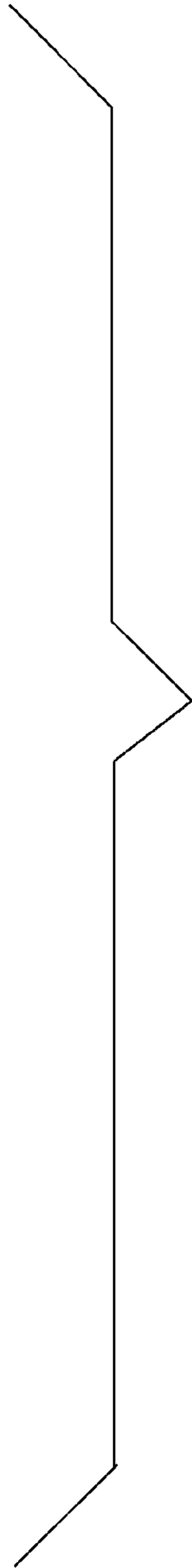
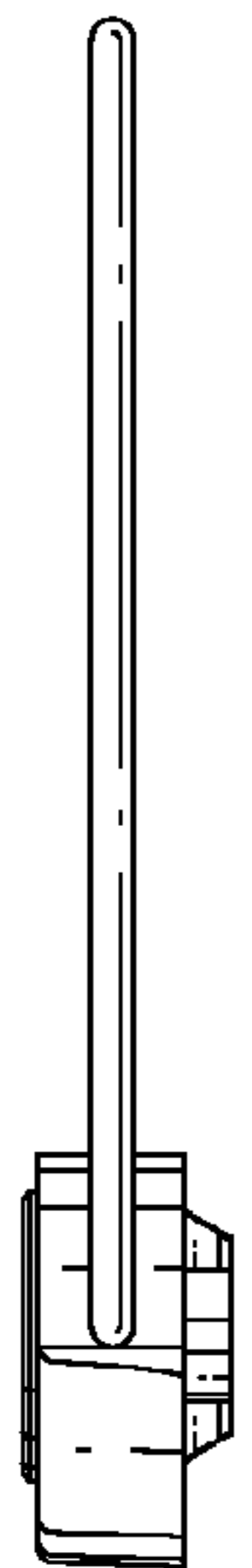
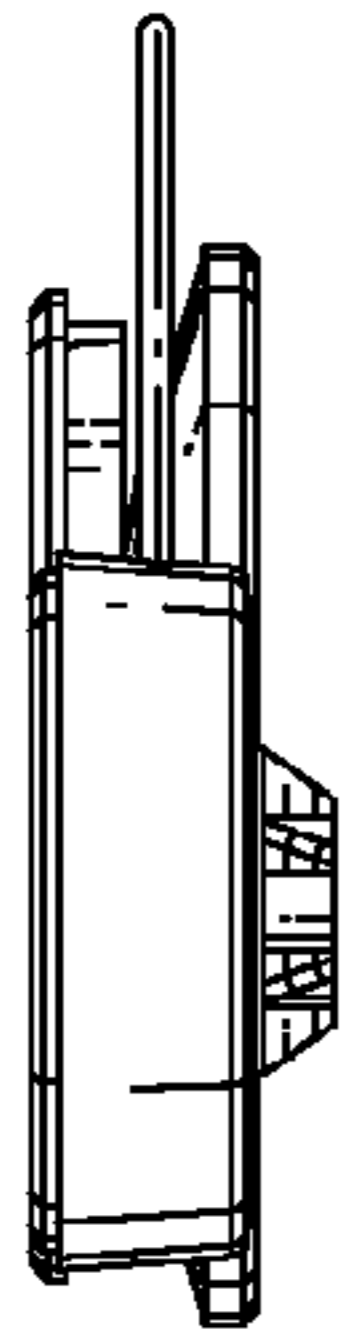


FIG. 5

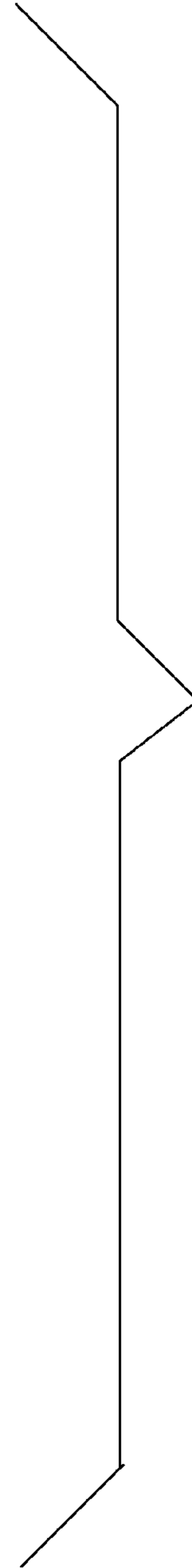
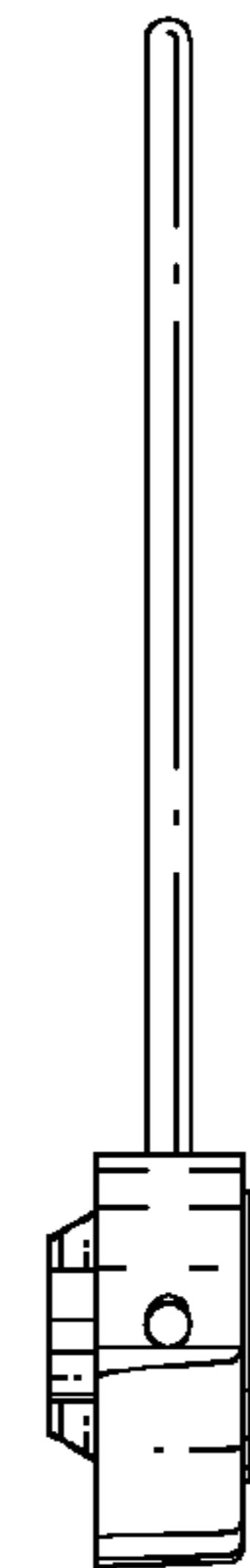
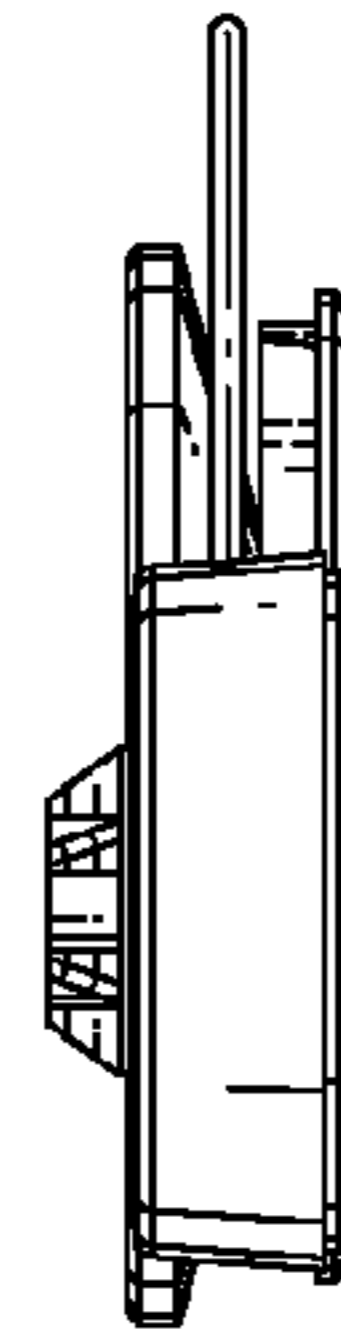


FIG. 6



FIG. 7



FIG. 8

