



US00D637585S

(12) **United States Design Patent**
Nagayama et al.

(10) **Patent No.:** **US D637,585 S**

(45) **Date of Patent:** **** May 10, 2011**

(54) **EARPHONE**

(75) Inventors: **Yuka Nagayama**, Tokyo (JP); **Reiko Kakusaka**, Kanagawa (JP)

(73) Assignee: **Kabushiki Kaisha Audio-Technica**, Tokyo (JP)

(**) Term: **14 Years**

(21) Appl. No.: **29/363,481**

(22) Filed: **Jun. 10, 2010**

(30) **Foreign Application Priority Data**

Dec. 25, 2009 (JP) 2009-030257

(51) **LOC (9) Cl.** **14-01**

(52) **U.S. Cl.** **D14/223**

(58) **Field of Classification Search** D14/205,
D14/206, 223; 181/129, 130, 135; 379/430,
379/431; 381/380, 381, 322, 324; 128/864,
128/865; 455/90.3, 569.1, 575.1

See application file for complete search history.

(56) **References Cited**

U.S. PATENT DOCUMENTS

D206,162 S *	11/1966	Geib et al.	D24/174
D367,113 S *	2/1996	Weeks	D24/174
D474,171 S *	5/2003	Suzuki	D14/206
D485,548 S *	1/2004	Obata	D14/223
D539,268 S *	3/2007	Suzuki	D14/206
D566,099 S *	4/2008	Komiyama	D14/206

D587,685 S *	3/2009	Densho	D14/206
D589,493 S *	3/2009	Densho	D14/206
D591,721 S *	5/2009	Densho	D14/205
D598,894 S *	8/2009	Masuda et al.	D14/205
D604,272 S *	11/2009	Kitayama	D14/223
D605,182 S *	12/2009	Fagnot	D14/223
D606,971 S *	12/2009	Christopher et al.	D14/205
D618,211 S *	6/2010	Oguro et al.	D14/205
D621,389 S *	8/2010	Nagayama et al.	D14/223
D623,630 S *	9/2010	Ohuri et al.	D14/223
D627,764 S *	11/2010	Tsai et al.	D14/223
D627,766 S *	11/2010	Arimoto	D14/223
D628,193 S *	11/2010	Zheng	D14/223
D629,395 S *	12/2010	Lee et al.	D14/223
D631,470 S *	1/2011	Yoneyama et al.	D14/223

* cited by examiner

Primary Examiner — Paula Greene

(74) *Attorney, Agent, or Firm* — Whitham Curtis Christofferson & Cook, PC

(57) **CLAIM**

We claim the ornamental design for the earphone, as shown and described.

DESCRIPTION

FIG. 1 is a front elevational view of the earphone;
FIG. 2 is a rear elevational view of the earphone;
FIG. 3 is a top plan view of the earphone;
FIG. 4 is a bottom plan view of the earphone;
FIG. 5 is a right side elevational view of the earphone;
FIG. 6 is a left side elevational view of the earphone; and,
FIG. 7 is a perspective view of the earphone.

1 Claim, 7 Drawing Sheets

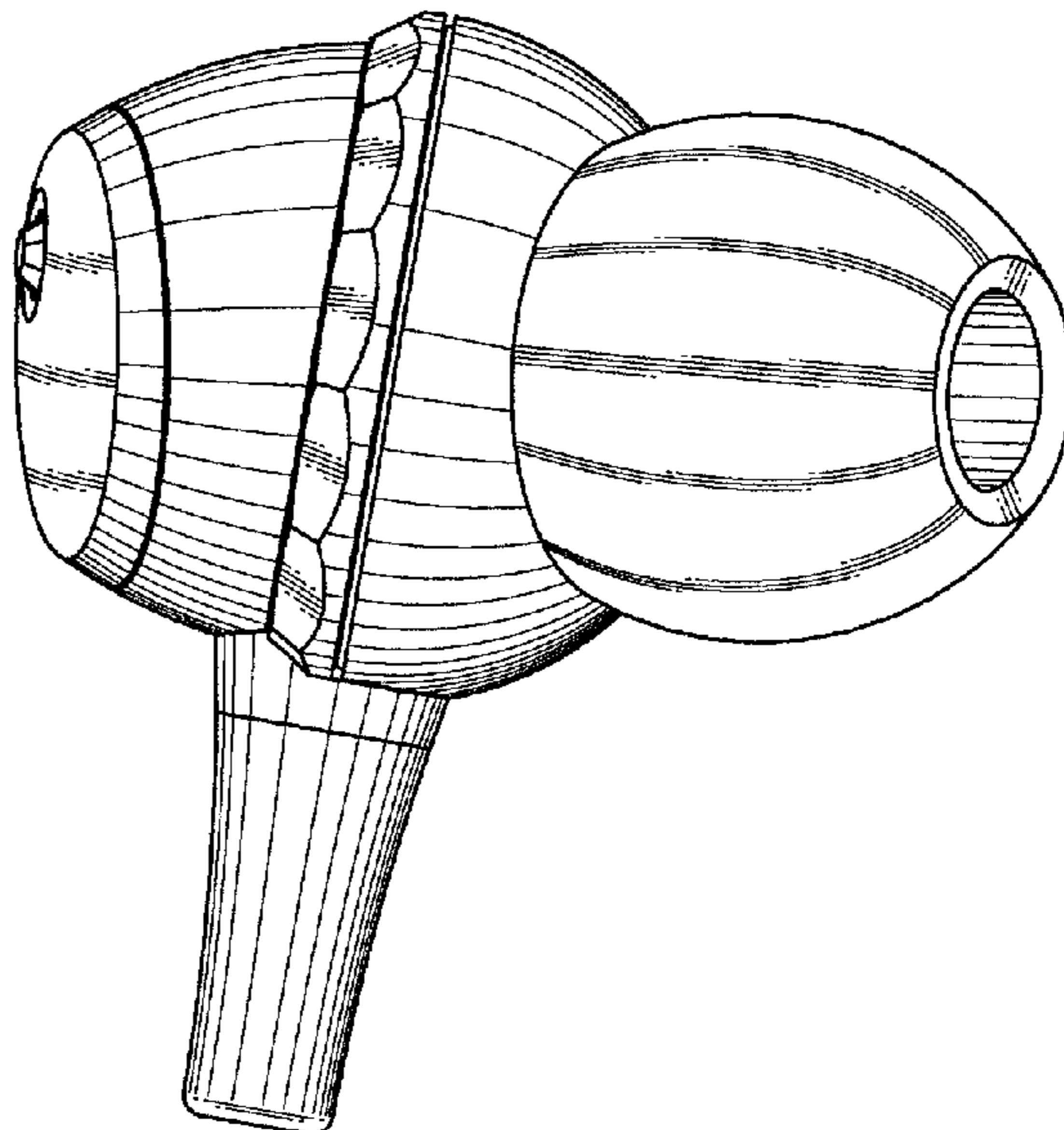
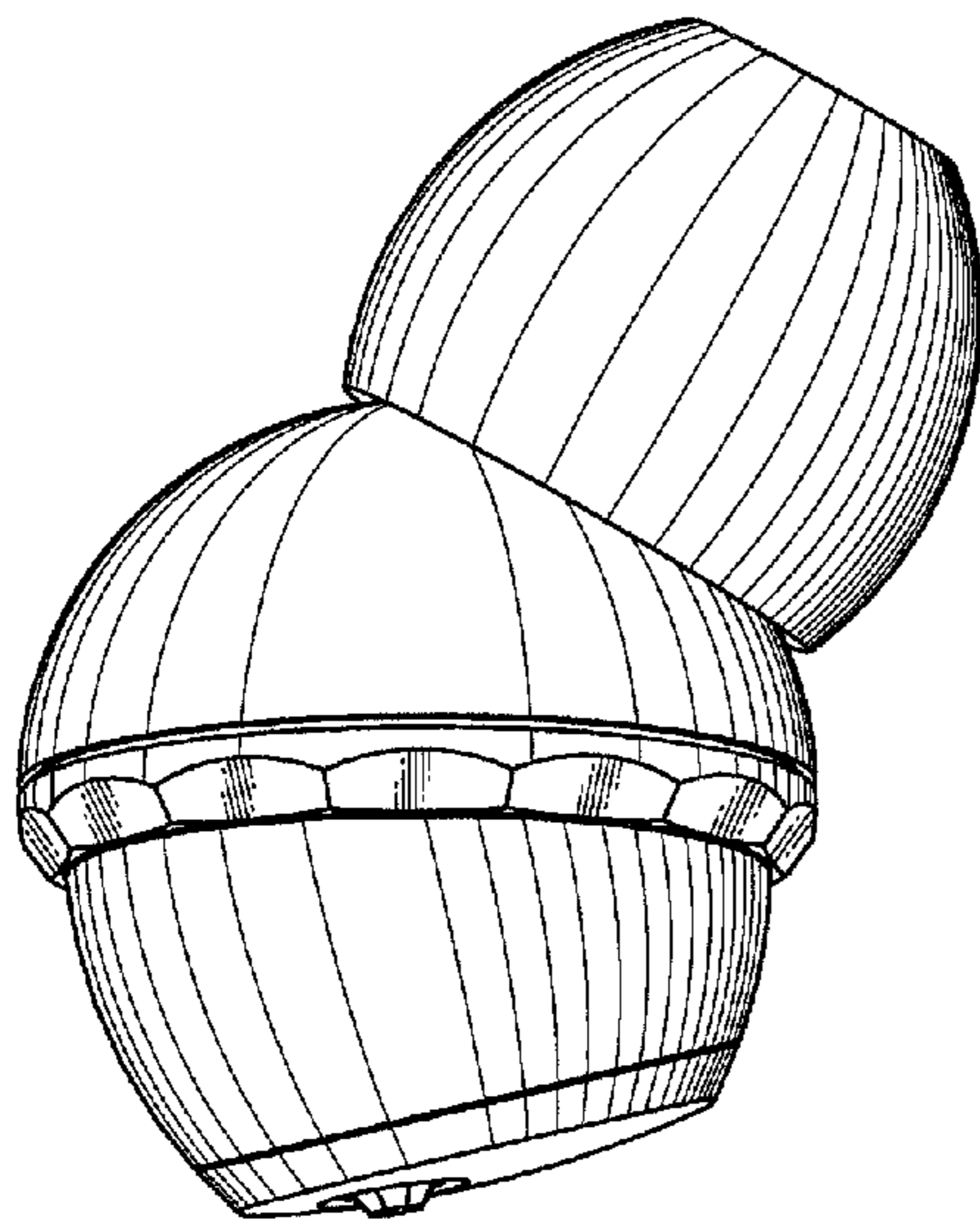


FIGURE 1

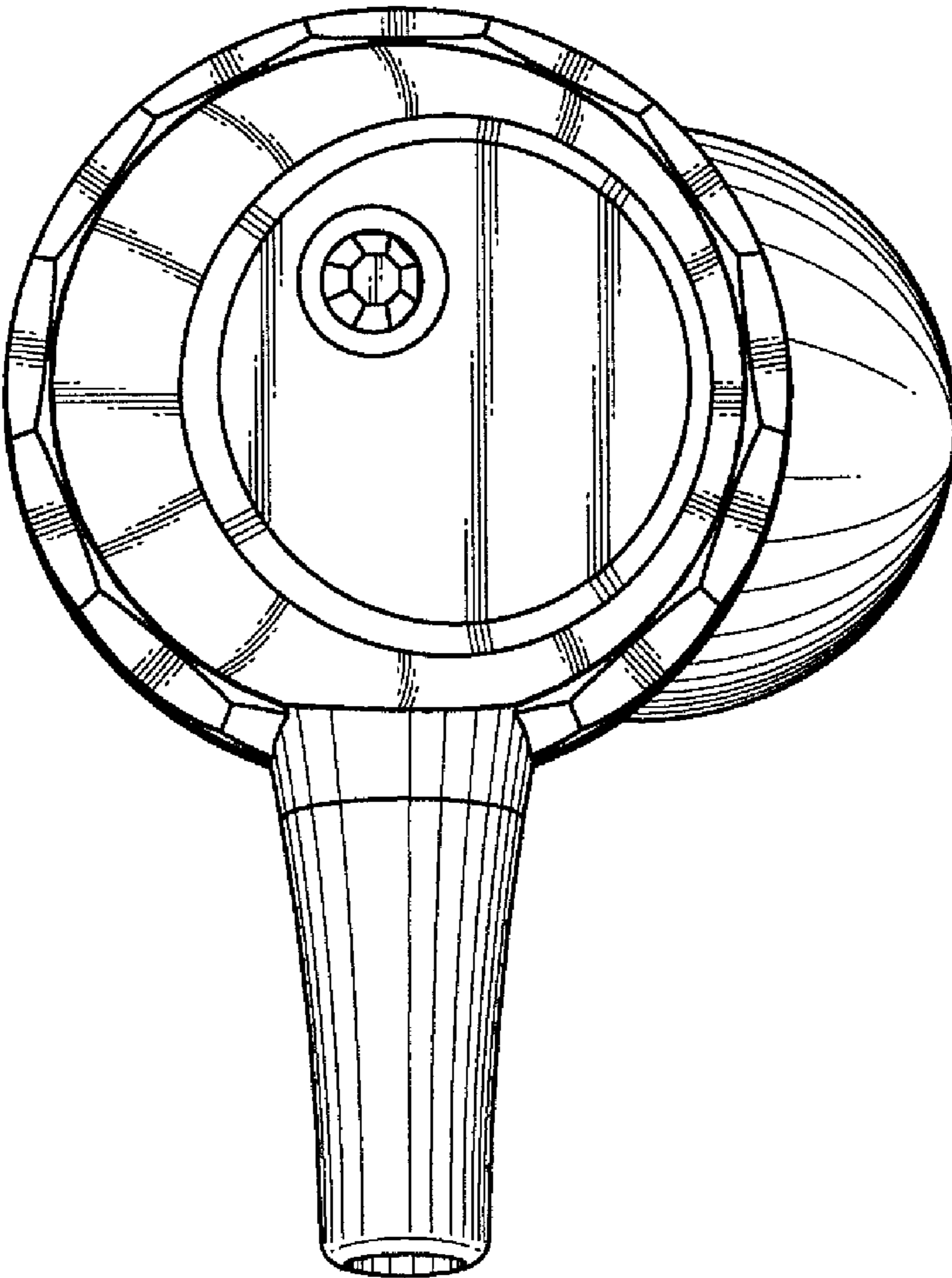


FIGURE 2

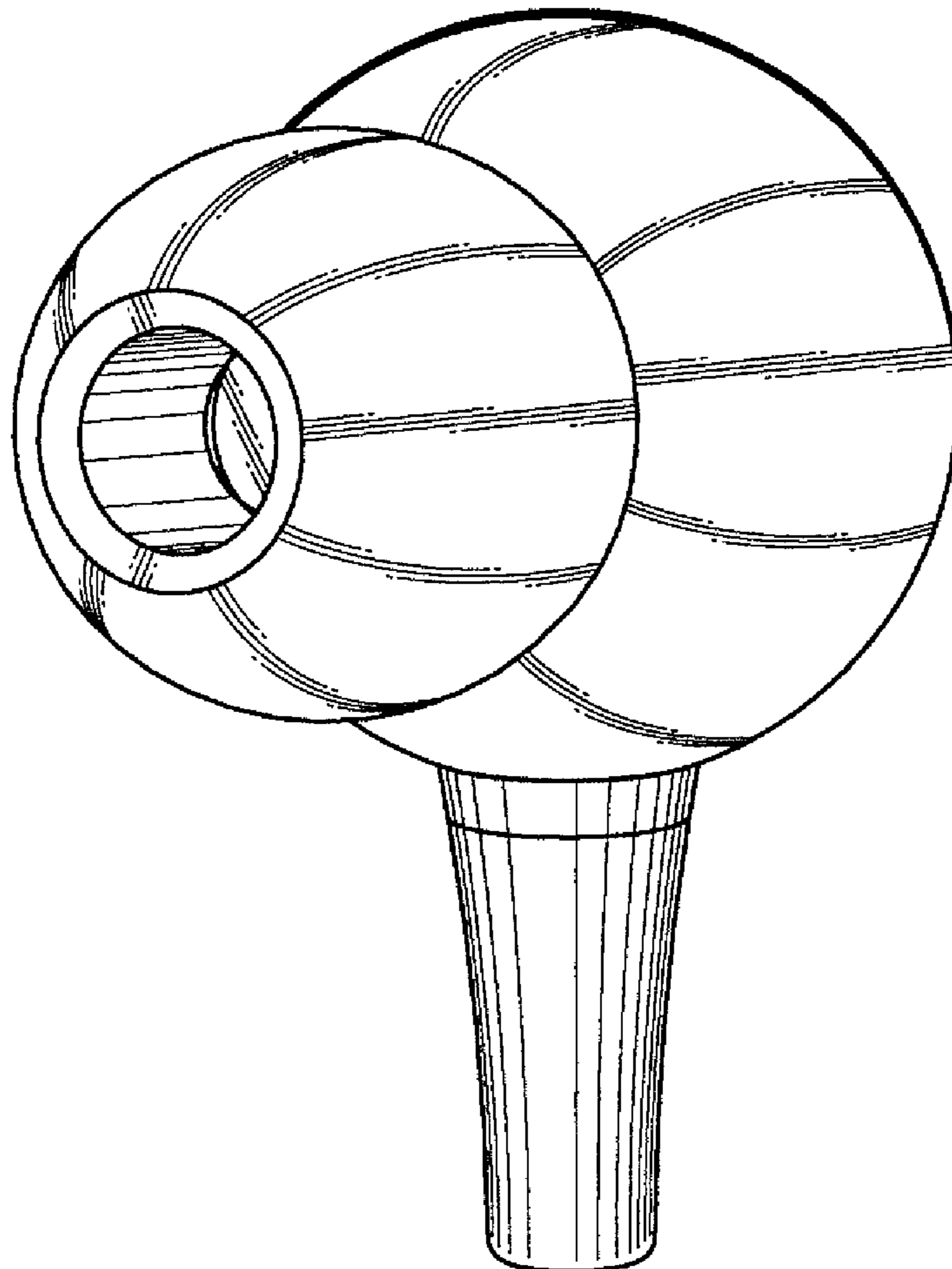


FIGURE 3

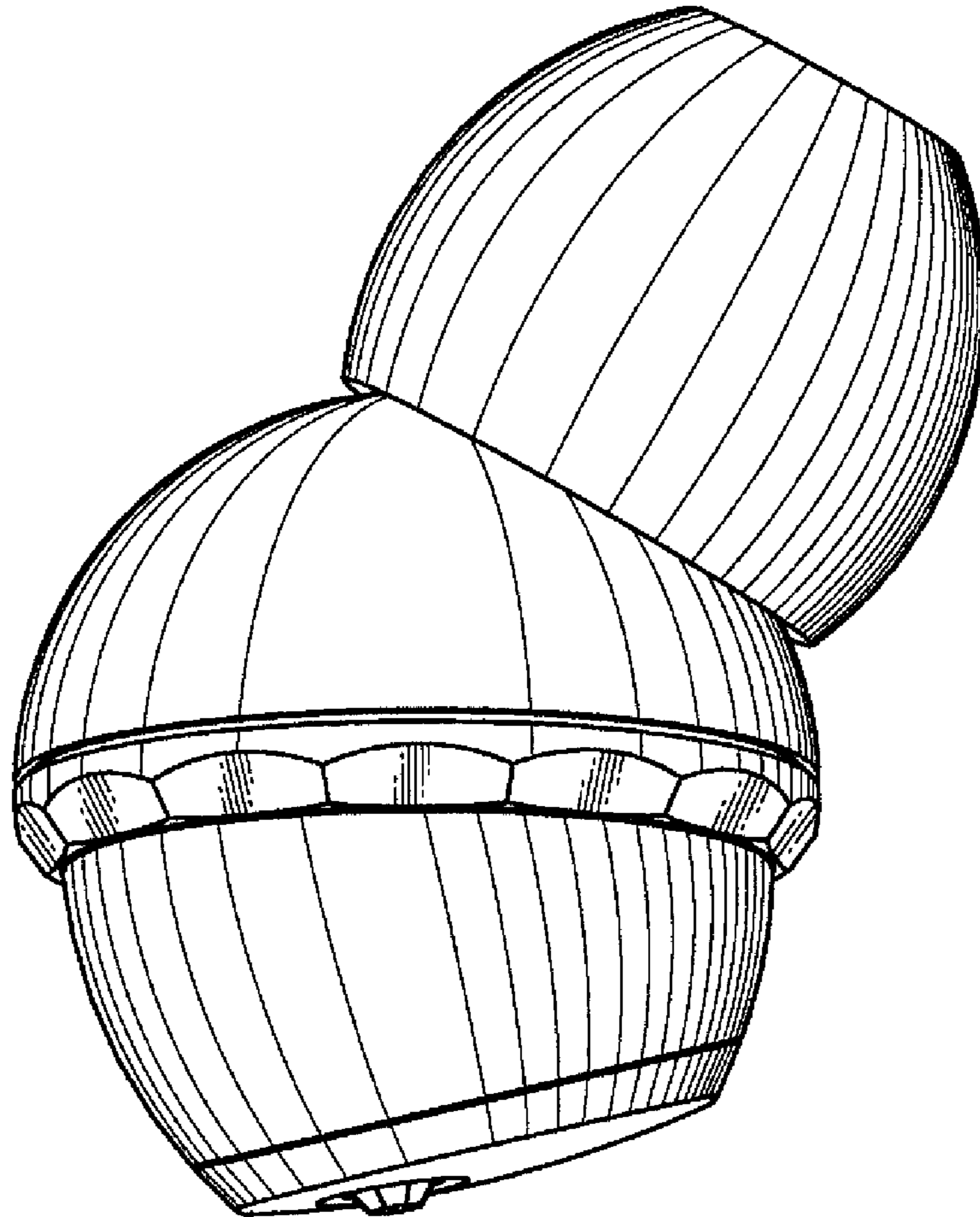


FIGURE 4

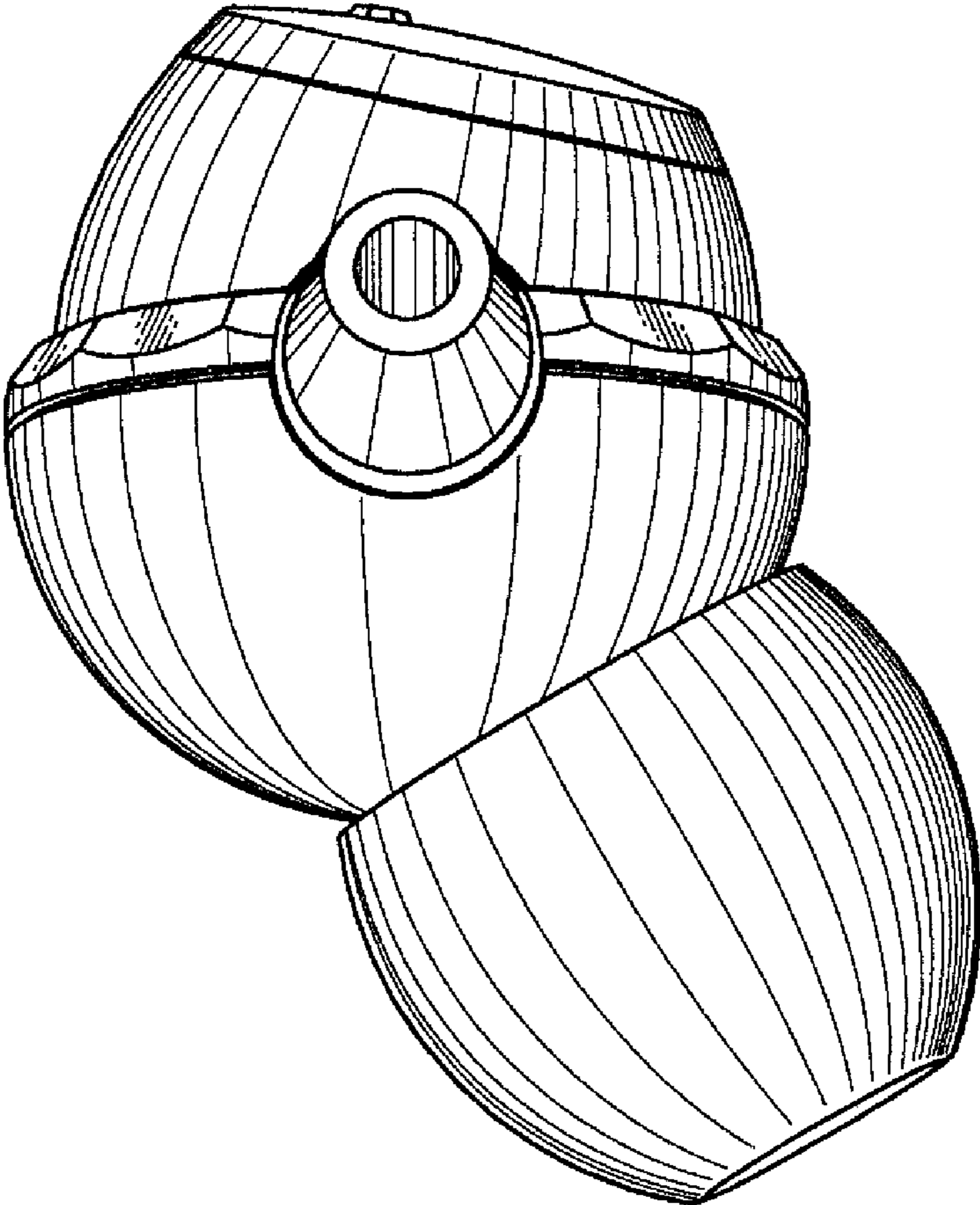


FIGURE 5

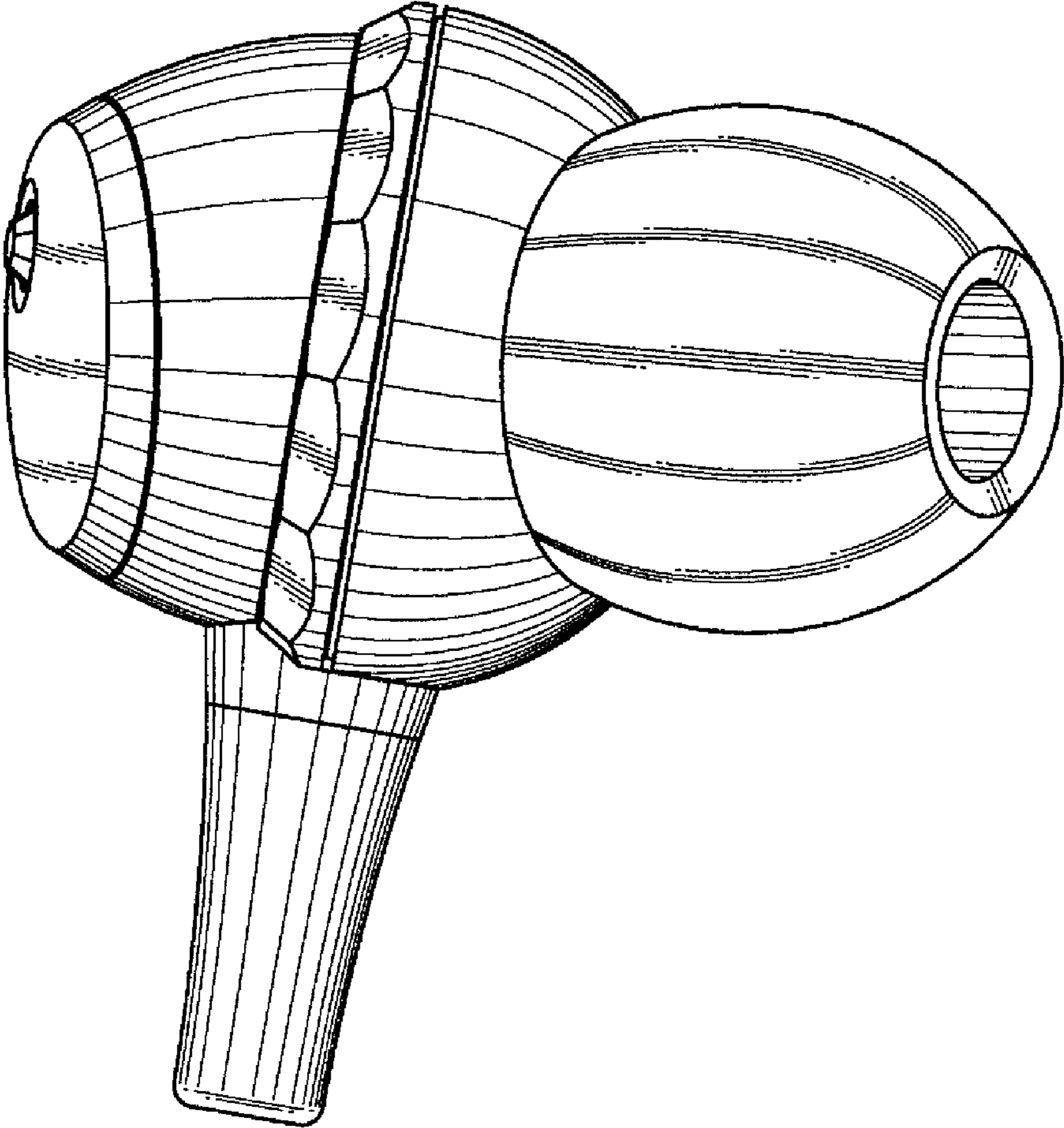


FIGURE 6

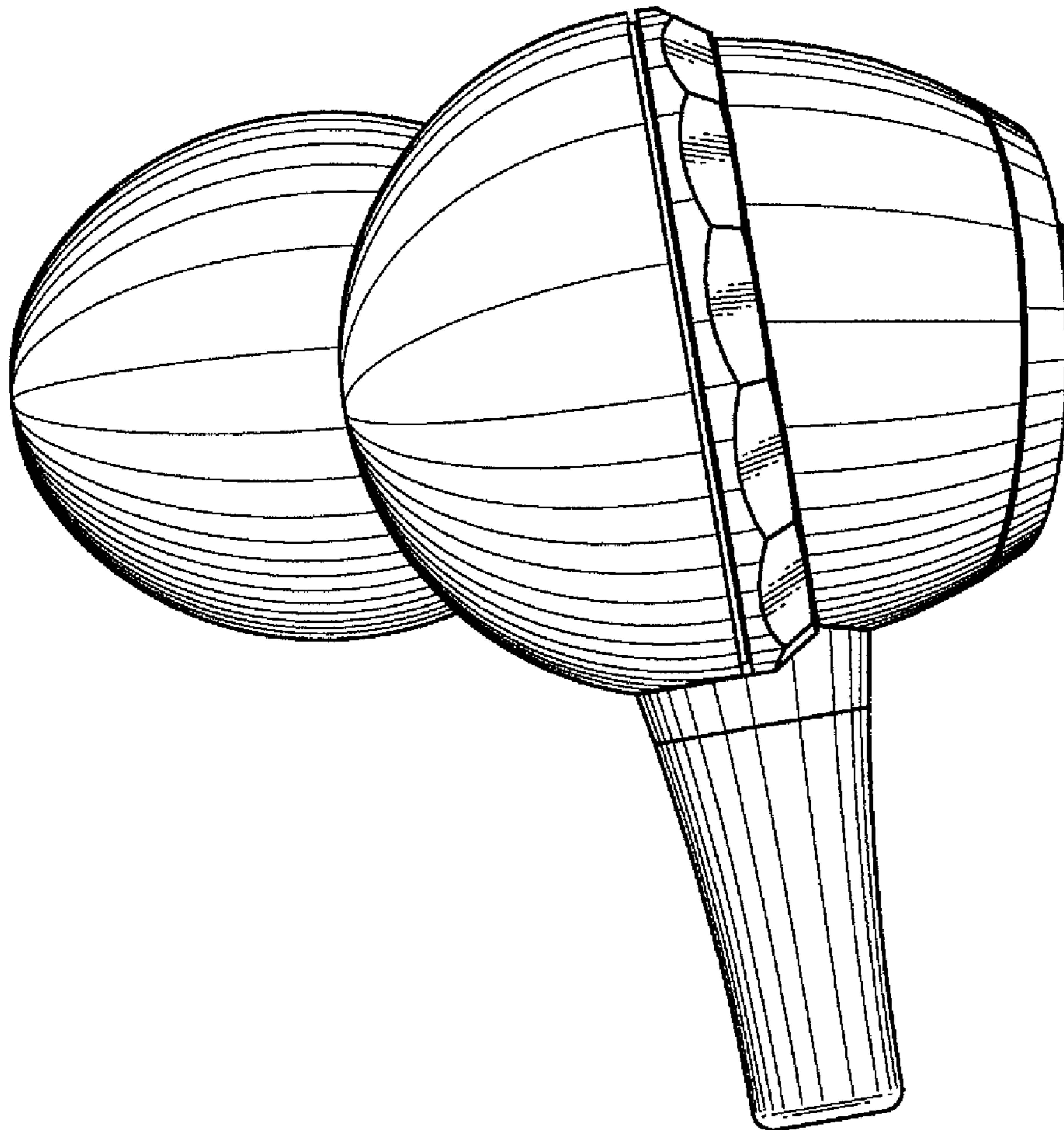


FIGURE 7

