



US00D637584S

(12) **United States Design Patent**  
**Peller**

(10) **Patent No.:** **US D637,584 S**

(45) **Date of Patent:** **\*\* May 10, 2011**

(54) **EARPHONE HOLDER**

(76) Inventor: **Richard J. Peller**, Lake Worth, FL (US)

(\*\*) Term: **14 Years**

(21) Appl. No.: **29/347,716**

(22) Filed: **Apr. 20, 2010**

(51) **LOC (9) Cl.** ..... **14-01**

(52) **U.S. Cl.** ..... **D14/223**

(58) **Field of Classification Search** ..... D14/205,  
D14/206, 223, 224, 224.1; D8/356, 358,  
D8/359; 379/420.02, 420.04, 430, 433; 242/388.1,  
242/127, 402, 404.2, 405.1, 405.2; 381/370,  
381/384; 24/18; D13/154, 156; 174/135;  
206/389; 455/569.1, 575.2; D22/137; 43/4,  
43/43.11

See application file for complete search history.

(56) **References Cited**

**U.S. PATENT DOCUMENTS**

2,143,529	A *	1/1939	White	.....	206/351
2,422,358	A	3/1947	Lobl	.....	242/405.1
2,472,300	A *	6/1949	Kemplin	.....	242/405.1
2,533,341	A *	12/1950	Alfano	.....	242/388
3,803,650	A	4/1974	D'Amico	.....	7/14.1
4,721,268	A *	1/1988	Lerner et al.	.....	242/388
4,802,638	A *	2/1989	Burger et al.	.....	242/388.1
D372,188	S	7/1996	Van Dyke	.....	D8/358
5,832,098	A *	11/1998	Chen	.....	381/370
5,984,224	A	11/1999	Yang	.....	242/400.1
D456,692	S *	5/2002	Epstein	.....	D8/356
6,658,130	B2 *	12/2003	Huang	.....	381/384

6,712,304	B1	3/2004	Taylor	.....	242/379
6,942,173	B1	9/2005	Abramov	.....	242/400.1
7,048,222	B1 *	5/2006	Curtiss	.....	242/405.1
7,086,512	B2 *	8/2006	Shack et al.	.....	191/12.4
7,108,544	B2	9/2006	Zoller	.....	439/501
D544,338	S *	6/2007	Christensen et al.	.....	D8/358
D566,107	S *	4/2008	Bowling	.....	D14/223
D596,927	S	7/2009	Ting	.....	D8/356
D600,673	S	9/2009	Kim et al.	.....	D14/205
D603,376	S *	11/2009	Blasko	.....	D14/223
2007/0154048	A1	7/2007	Chang	.....	381/371
2009/0194630	A1	8/2009	Thiyagarajan	.....	242/405.1

\* cited by examiner

*Primary Examiner* — Paula Greene

(74) *Attorney, Agent, or Firm* — Jacobson Holman PLLC

(57) **CLAIM**

The ornamental design for an earphone holder, as shown and described.

**DESCRIPTION**

FIG. 1 is a perspective view showing my new design for an earphone holder,  
FIG. 2 is a top view thereof,  
FIG. 3 is a bottom view thereof,  
FIG. 4 is a front view thereof,  
FIG. 5 is a rear view thereof,  
FIG. 6 is a left side view thereof,  
FIG. 7 is a right side view thereof; and,  
FIG. 8 is a alternate top view showing the environment of use,  
with earphones, cord and plug shown in dotted lines. The  
dotted lines form no part of the claimed invention and are for  
illustrative purposes only.

**1 Claim, 3 Drawing Sheets**

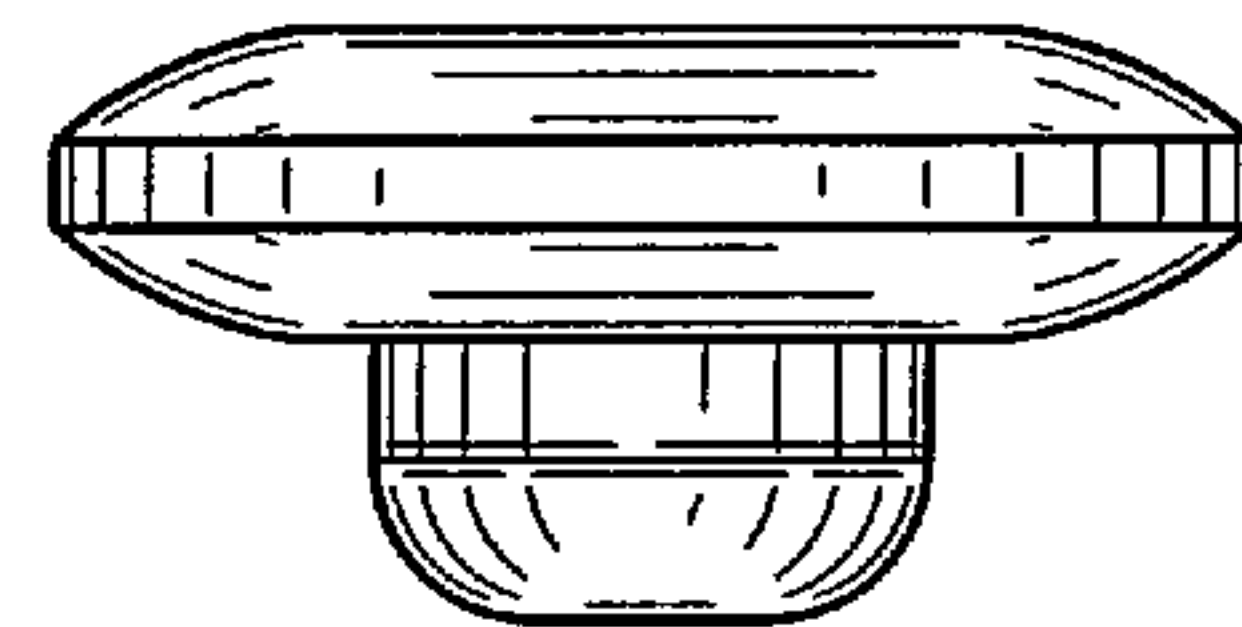
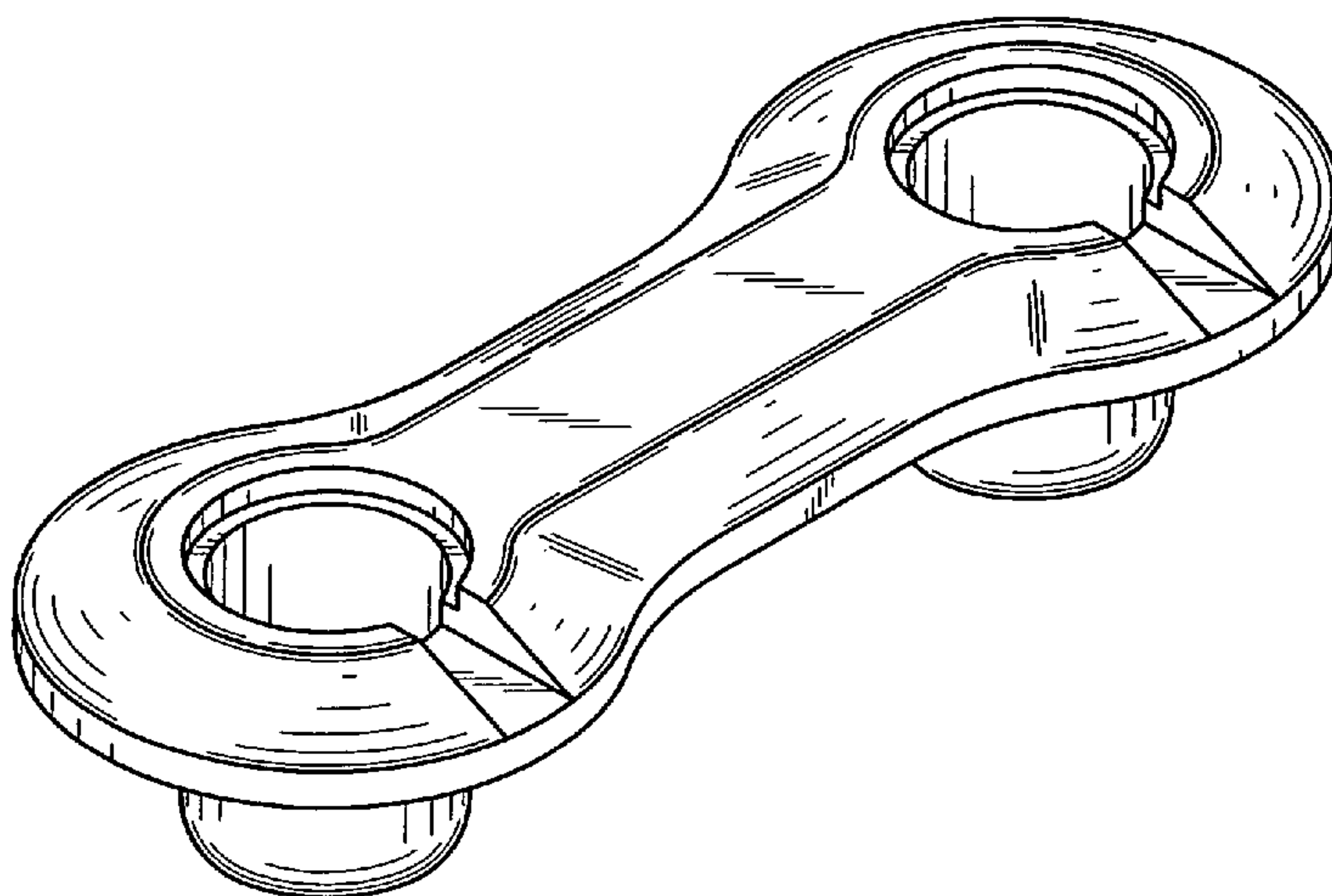


FIG. 1

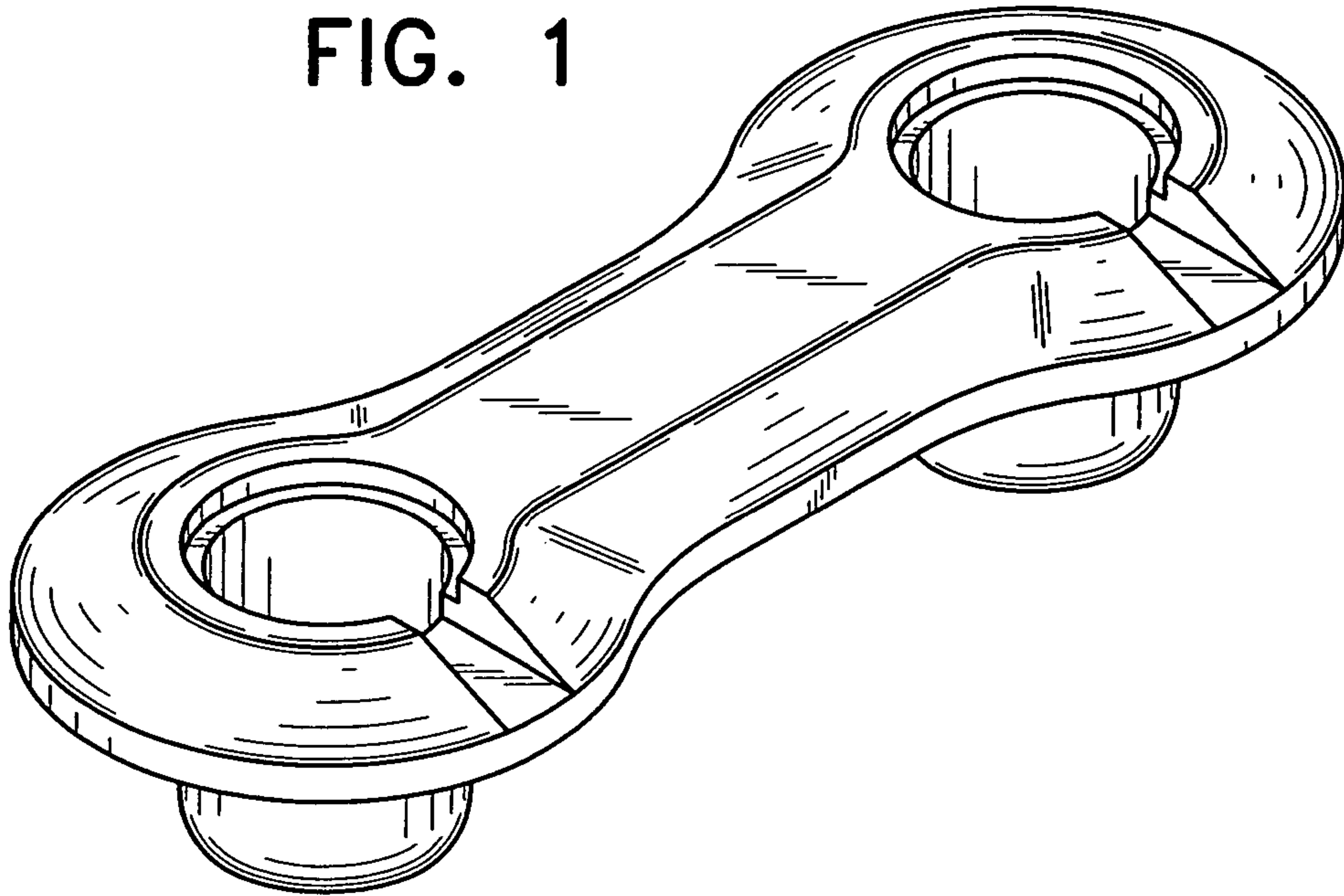


FIG. 8

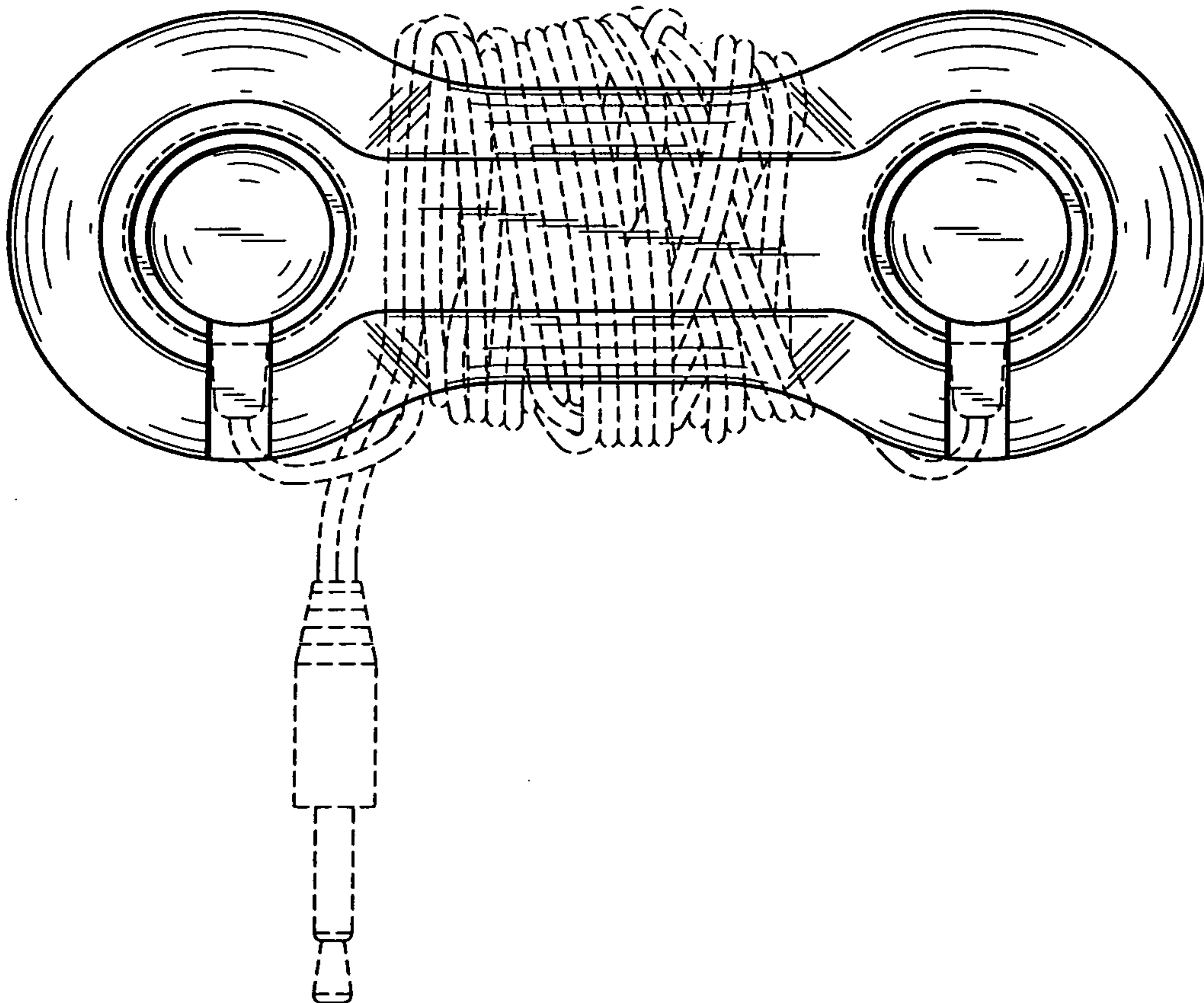


FIG. 2

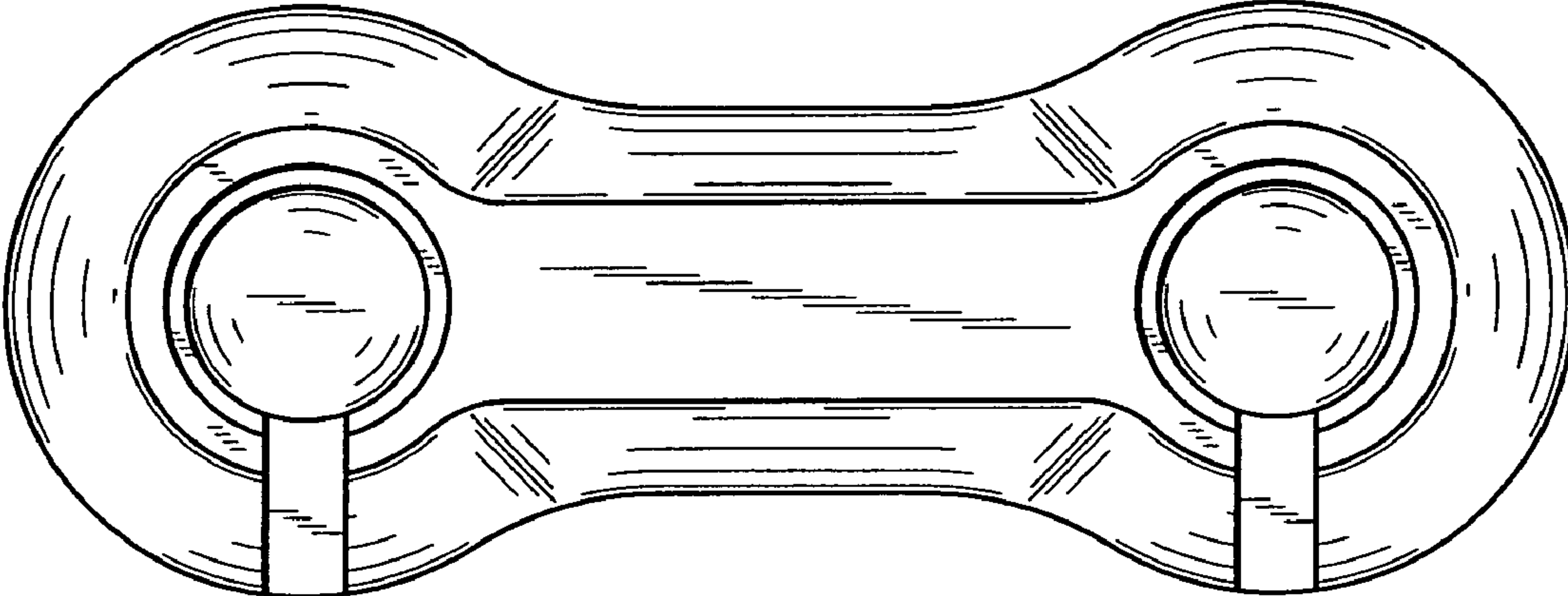


FIG. 3

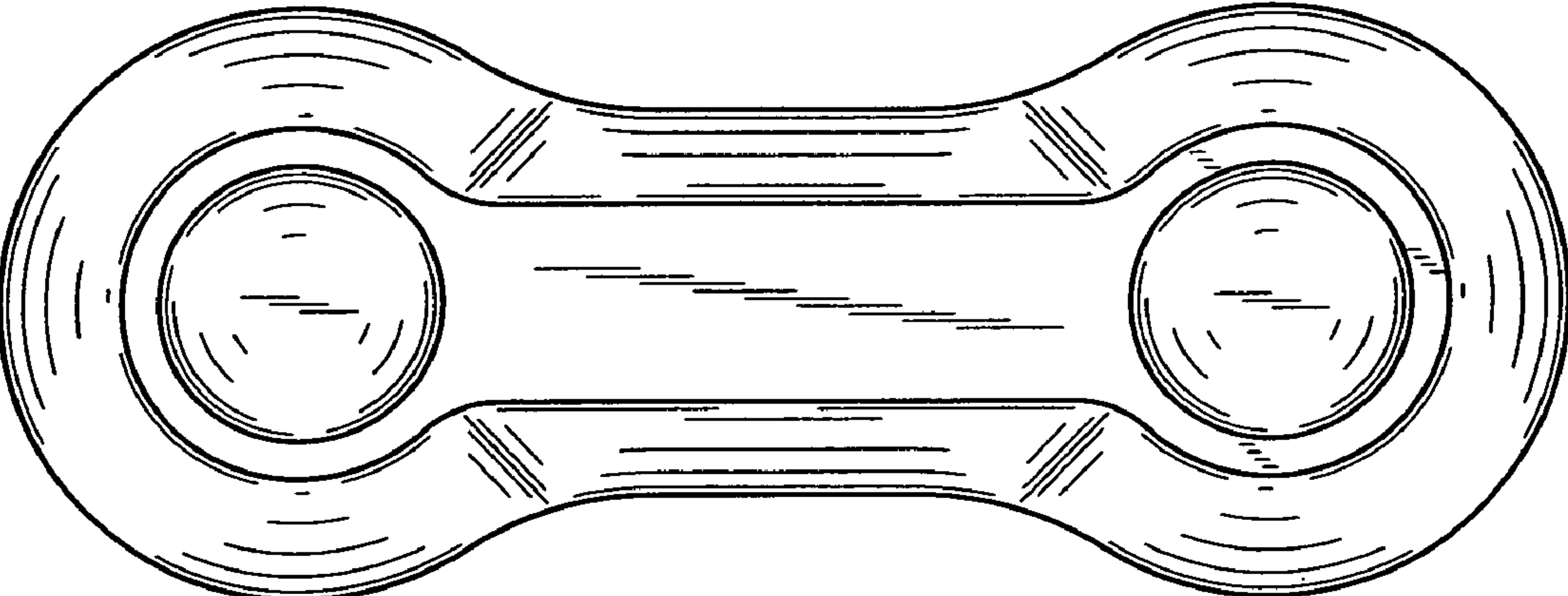




FIG. 4

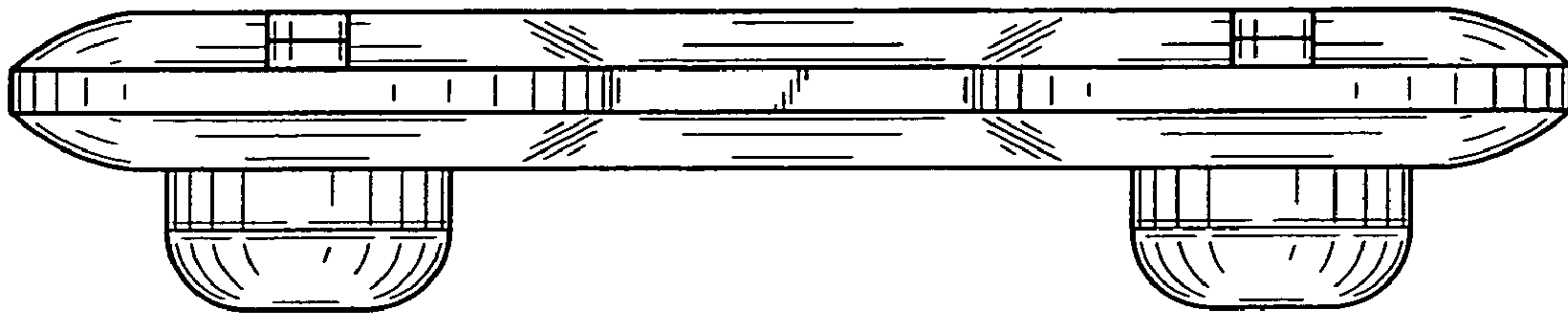


FIG. 5

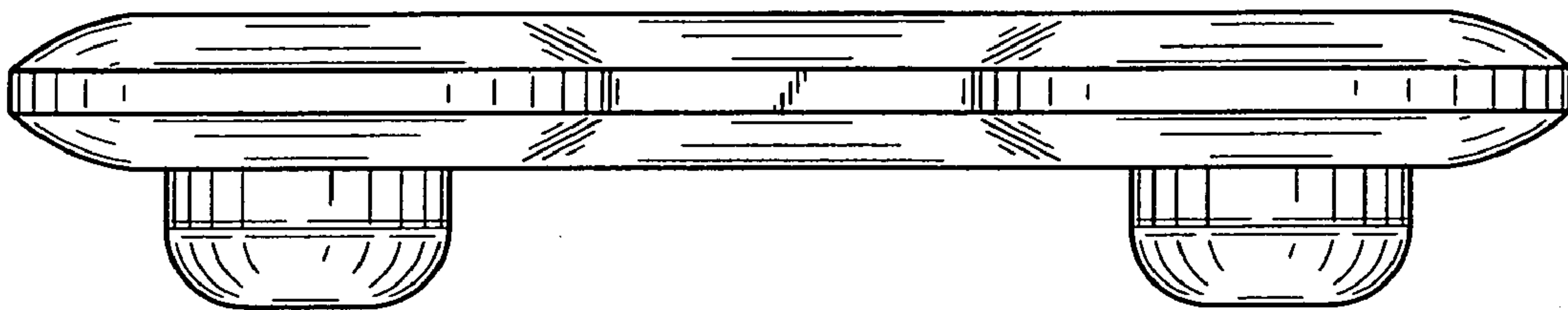


FIG. 6

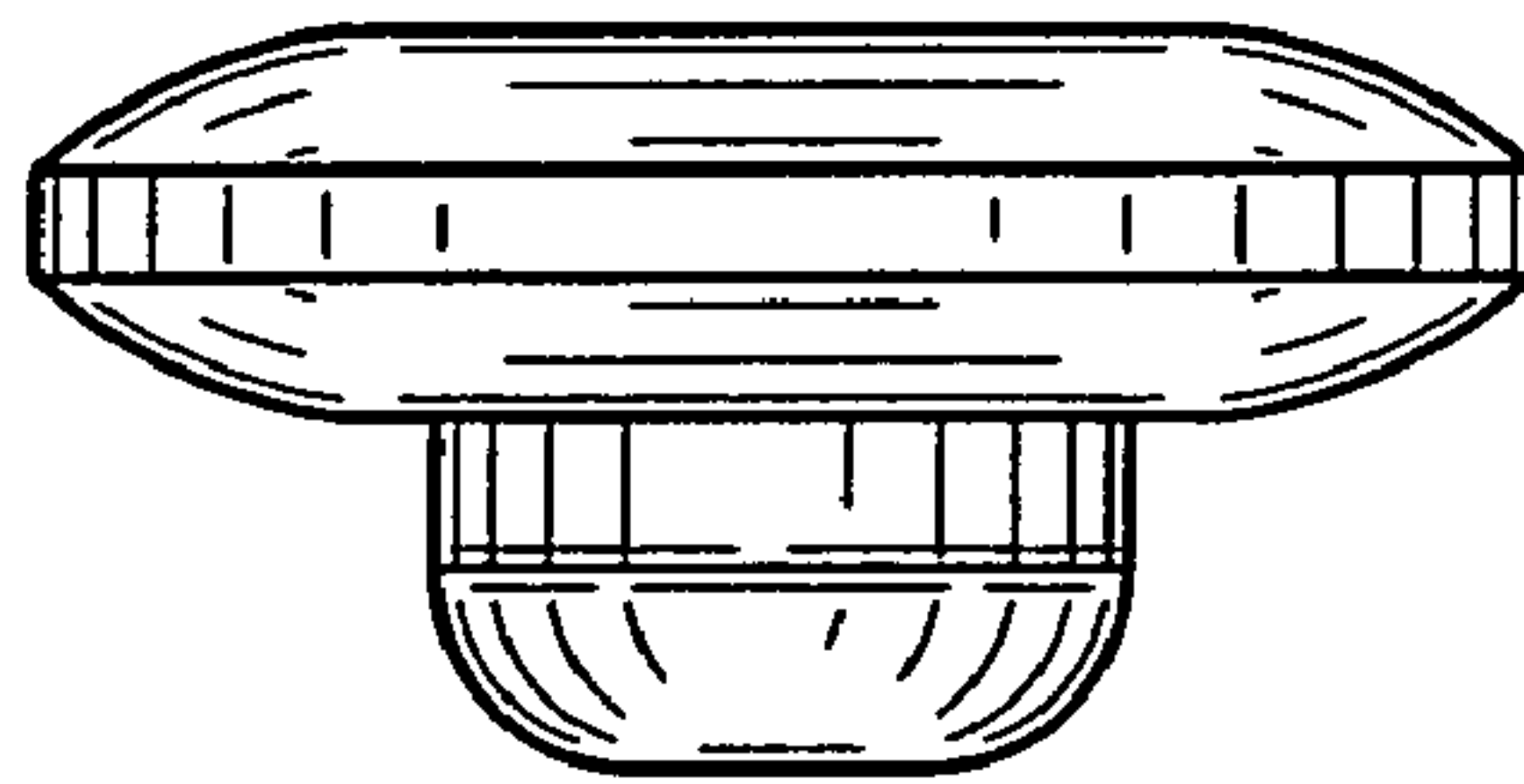


FIG. 7

