



US00D637583S

(12) **United States Design Patent**  
**Beal et al.**

(10) **Patent No.:** **US D637,583 S**

(45) **Date of Patent:** **\*\* May 10, 2011**

(54) **DEVICE STAND**

(75) Inventors: **Kenneth David Beal**, Brentwood, TN (US); **George Campbell**, Franklin, TN (US); **Timothy Coble**, Hermitage, TN (US); **Steven P. Greenwell**, Nashville, TN (US); **Stephen Woolverton**, Nashville, TN (US)

(73) Assignee: **Griffin Technology, Inc.**, Nashville, TN (US)

(\*\*) Term: **14 Years**

(21) Appl. No.: **29/368,571**

(22) Filed: **Aug. 25, 2010**

(51) **LOC (9) Cl.** ..... **14-02**

(52) **U.S. Cl.** ..... **D14/217; D14/238.1; D14/251**

(58) **Field of Classification Search** ..... D14/142, D14/149, 155, 157, 188, 191-193, 230.1-203.8, D14/217, 251, 253, 432-435.1, 447, 451, D14/496, 474, 480.1-480.7; D13/107, 108, D13/118; D3/215, 218, 328, 329; 248/221.11, 248/309.1; 320/107, 110, 113-115; 361/600; 439/529, 534; 455/556.1-556.2, 557; 24/3.1  
See application file for complete search history.

(56) **References Cited**

**U.S. PATENT DOCUMENTS**

D306,150 S \* 2/1990 Macke ..... D14/224  
D440,542 S \* 4/2001 Hawkins et al. .... D14/346

D457,351 S \* 5/2002 Zerman et al. .... D6/462  
D495,337 S \* 8/2004 Zerman et al. .... D14/447  
D539,805 S \* 4/2007 Li et al. .... D14/447  
D539,806 S \* 4/2007 Yu et al. .... D14/447  
D557,259 S \* 12/2007 Hirsch ..... D14/217  
D574,375 S \* 8/2008 Prest et al. .... D14/217  
D626,964 S \* 11/2010 Richardson et al. .... D14/447

\* cited by examiner

*Primary Examiner* — Stella M Reid

*Assistant Examiner* — Keli L Hill

(74) *Attorney, Agent, or Firm* — Hornkohl Intellectual Property Law, PLLC; Jason I. Hornkohl

(57) **CLAIM**

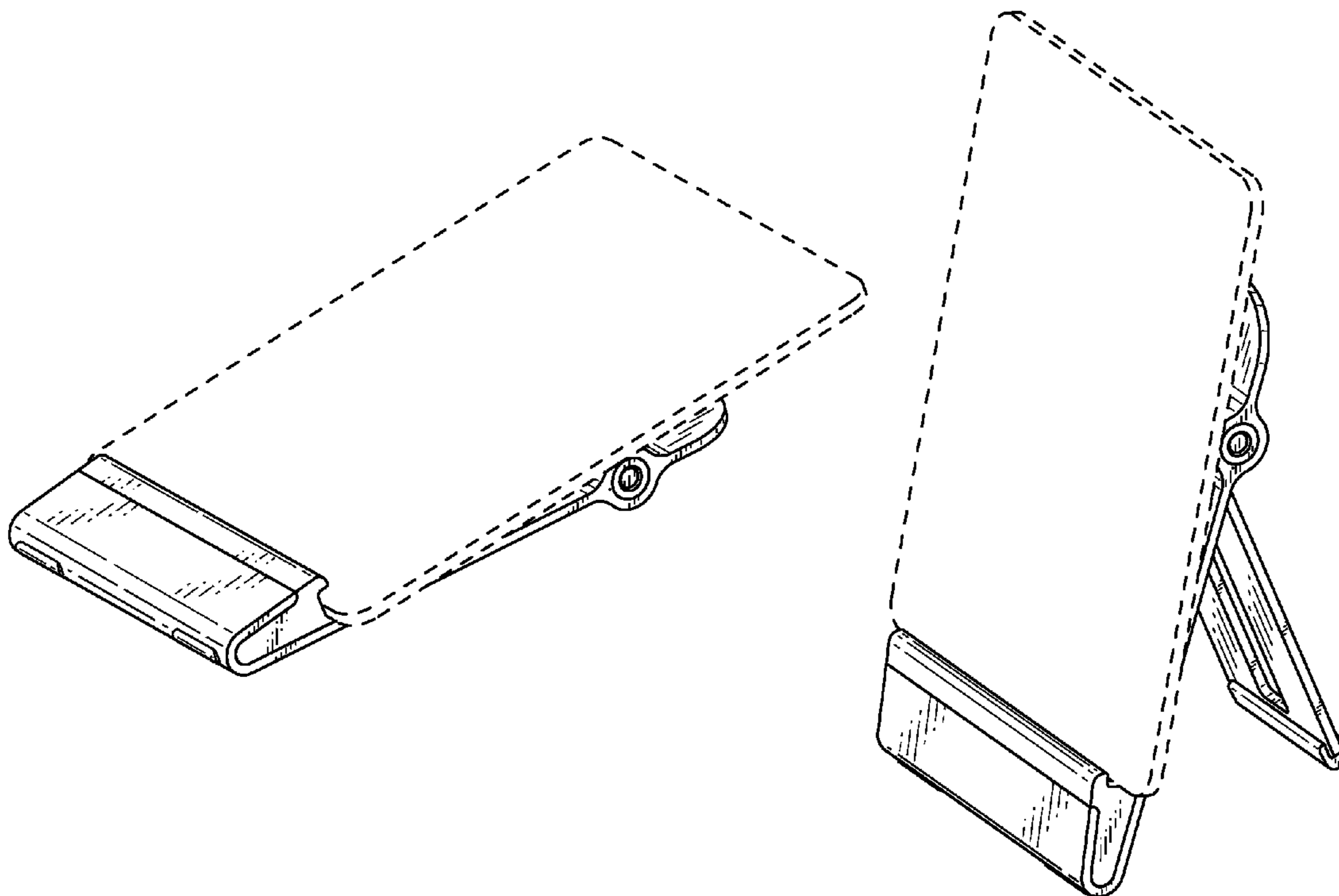
The ornamental design for a device stand, as shown and described.

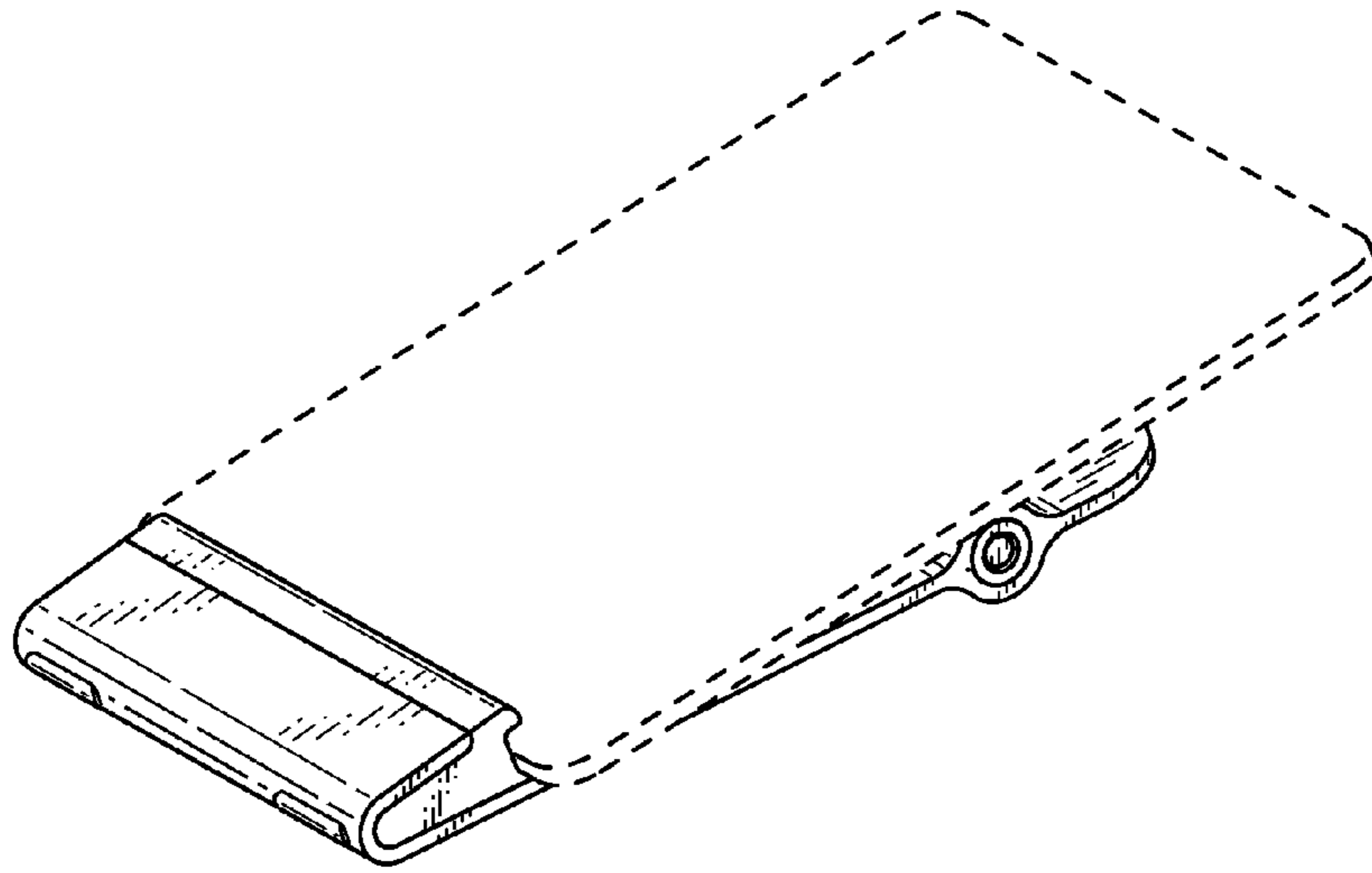
**DESCRIPTION**

FIG. 1 is an isometric view showing the design for a device stand holding a portable device in a lying down position; FIG. 2 is an isometric view showing the device stand holding a portable device in an upright position; FIG. 3 is a front view of the device stand; FIG. 4 is a back view of the device stand; FIG. 5 is a left side view of the device stand; FIG. 6 is a right side view of the device stand; FIG. 7 is a top view of the device stand; and, FIG. 8 is a bottom view of the device stand.

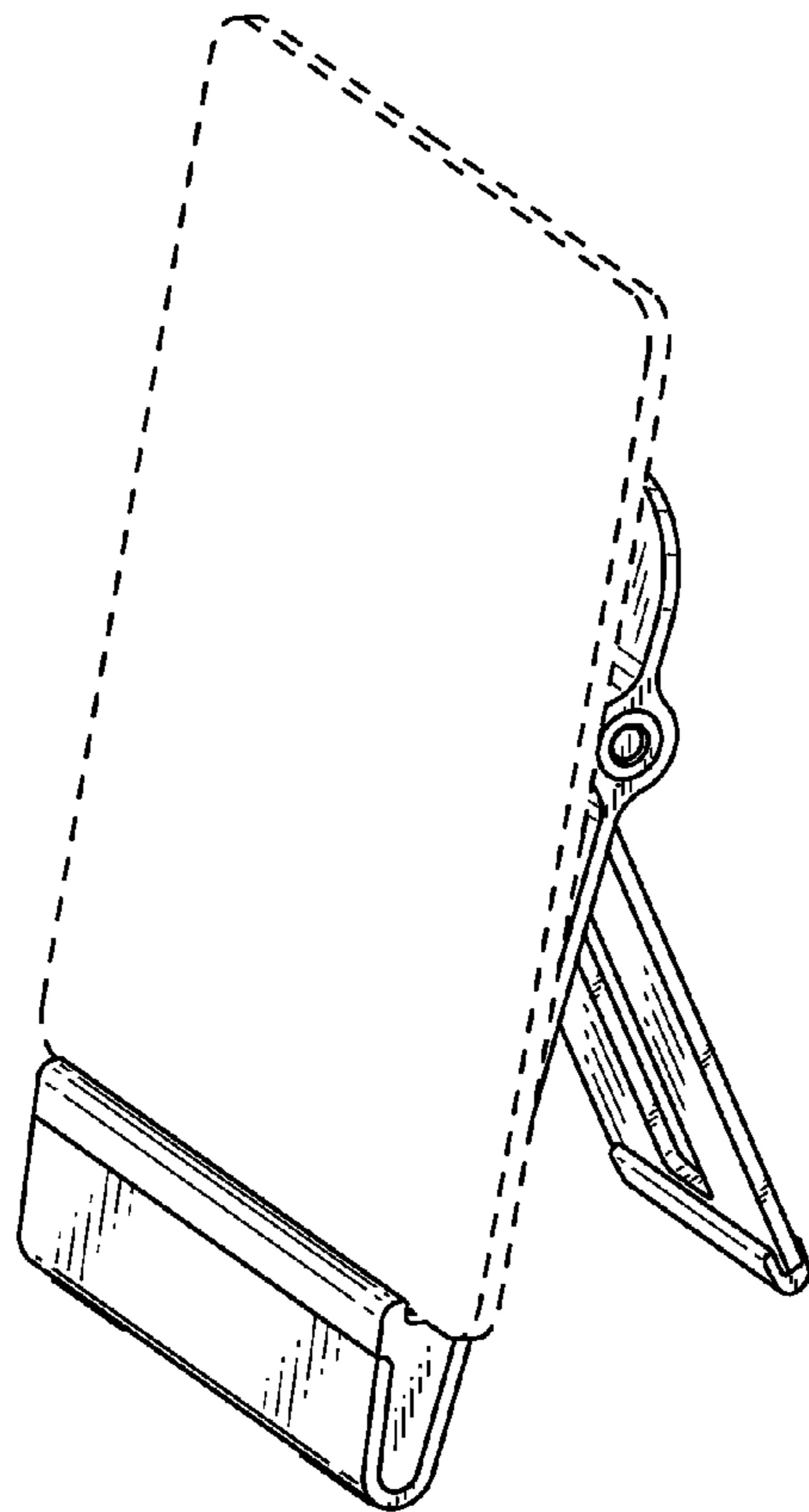
The broken line showing of the portable device is included for the purpose of illustrating environment of the article and forms no part of the claimed design.

**1 Claim, 3 Drawing Sheets**

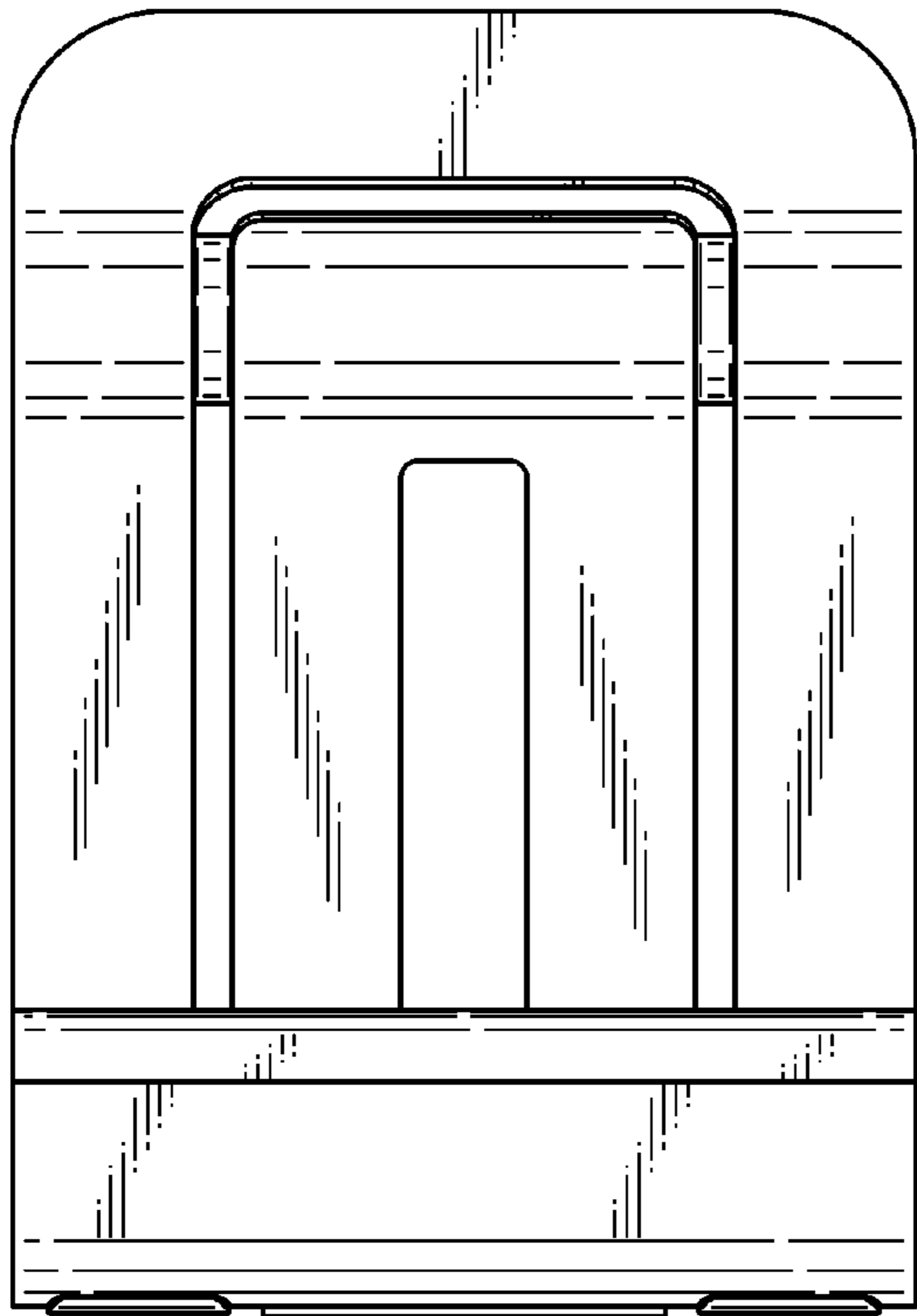




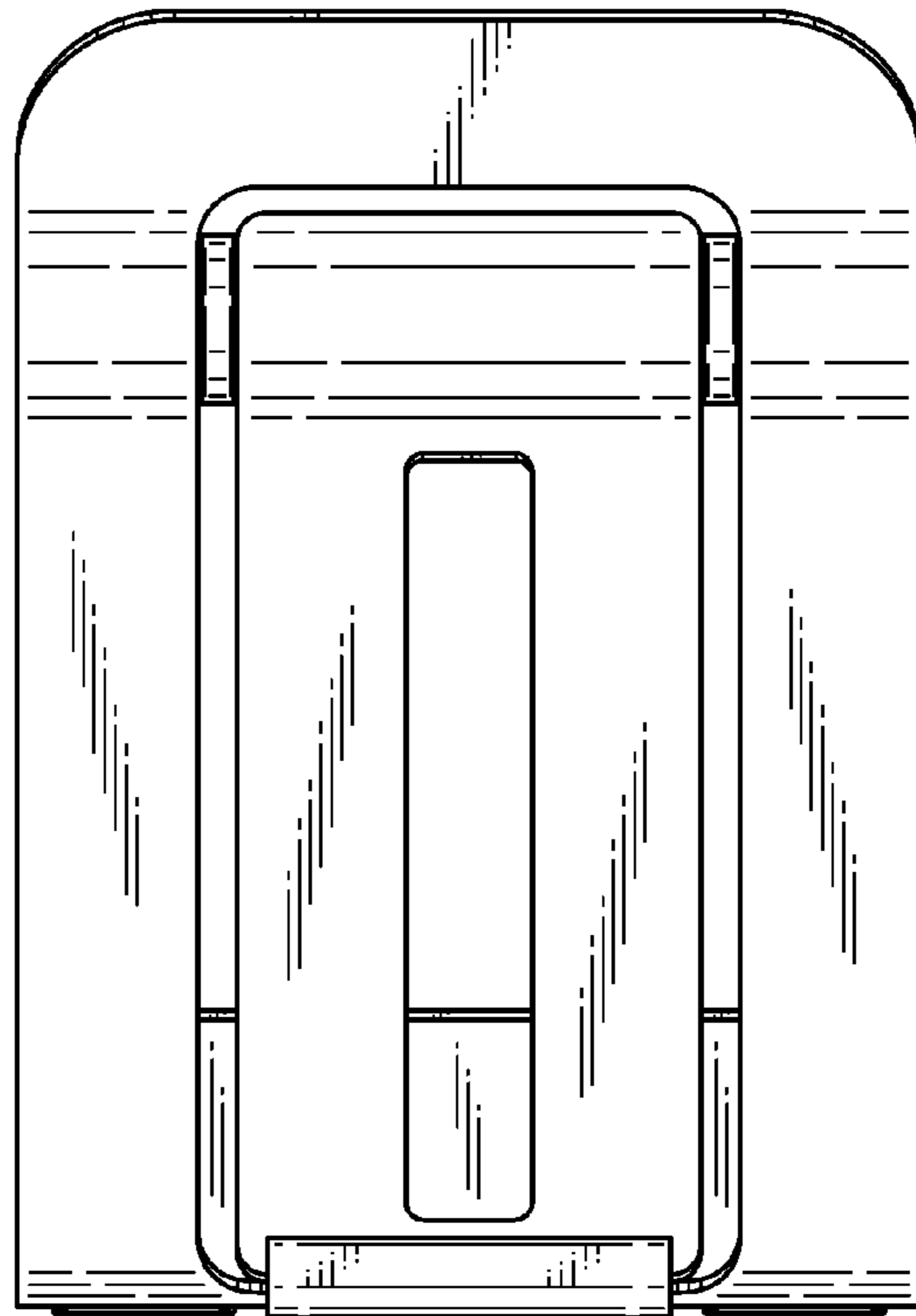
*FIG. 1*



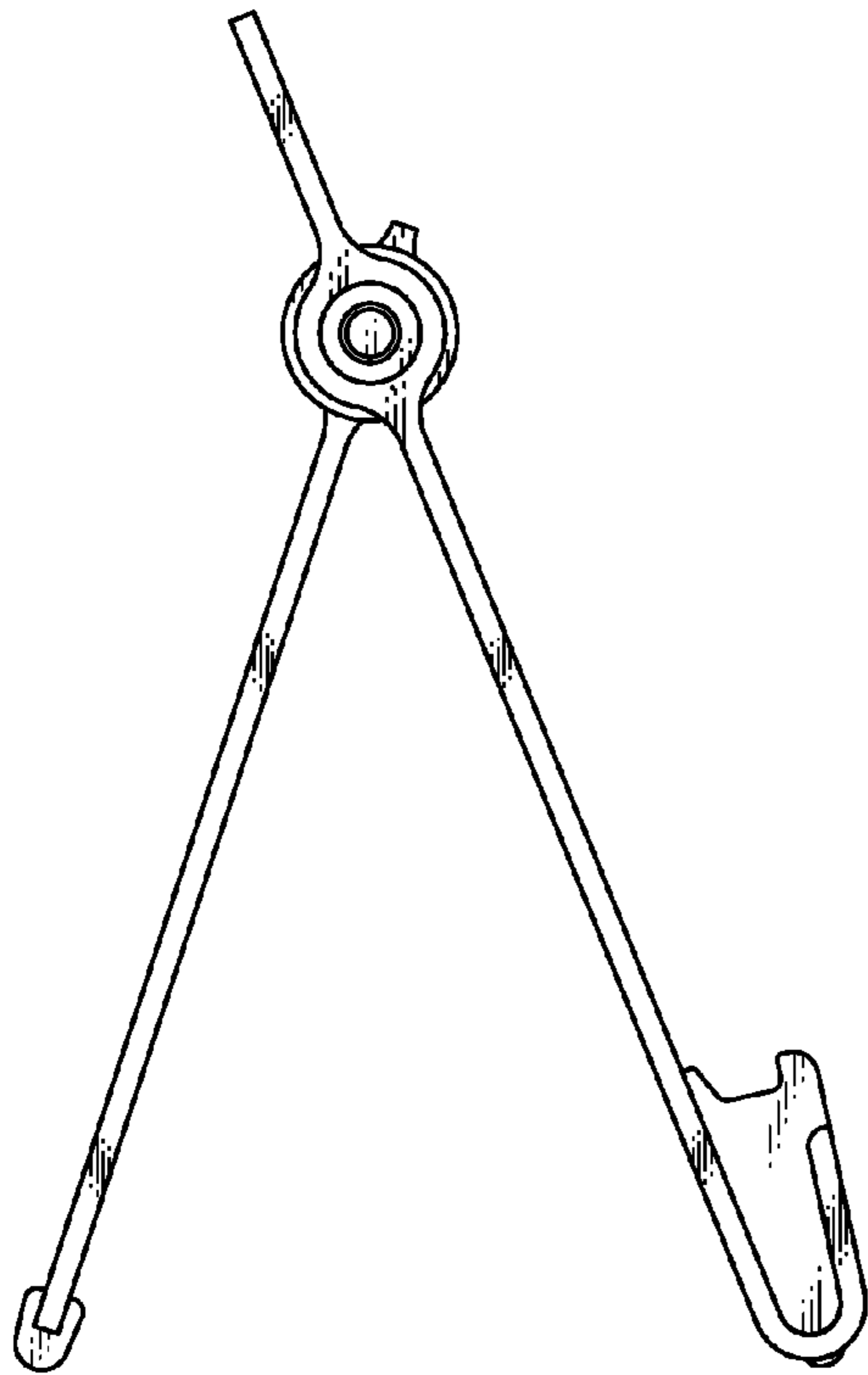
*FIG. 2*



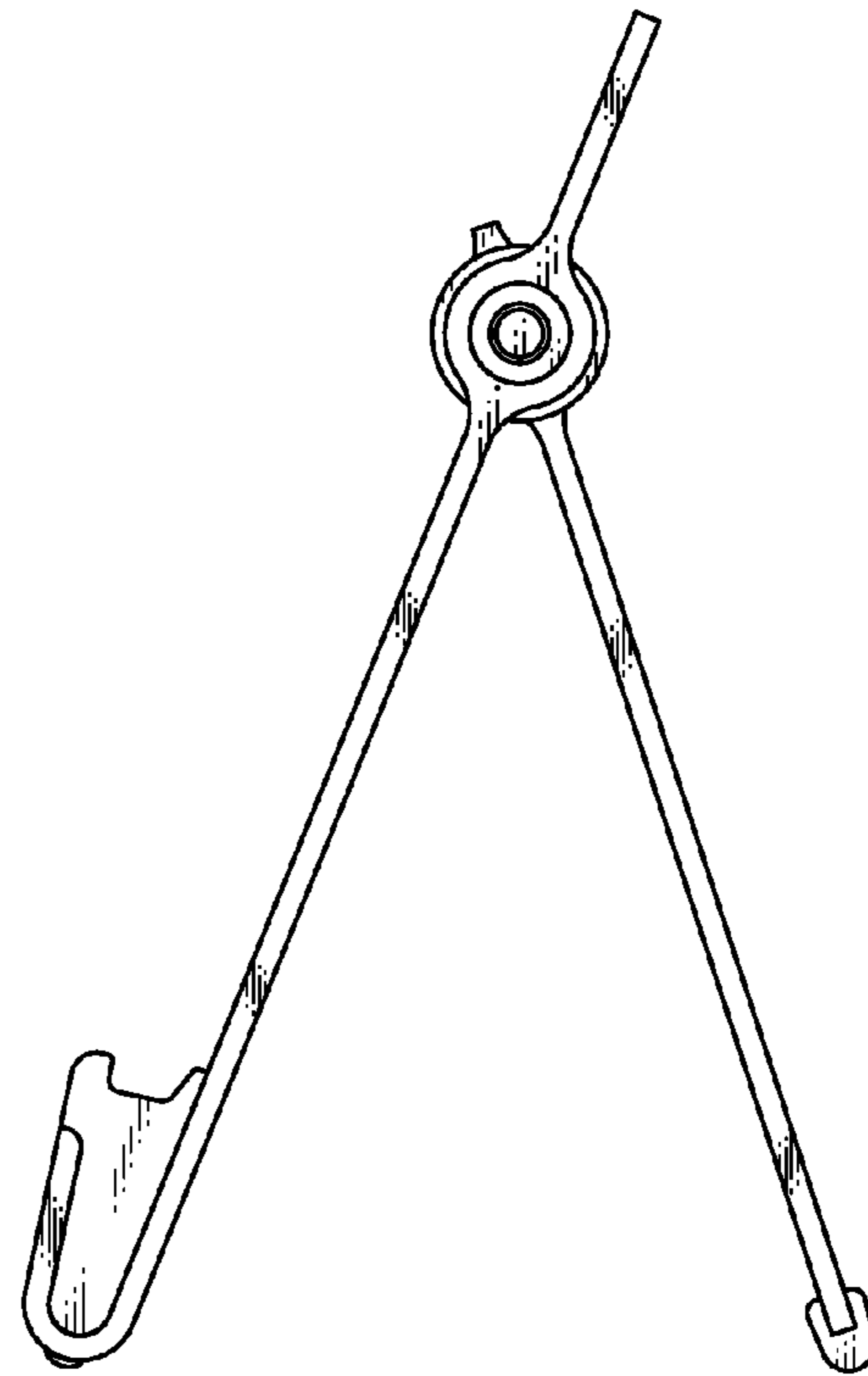
*FIG. 3*



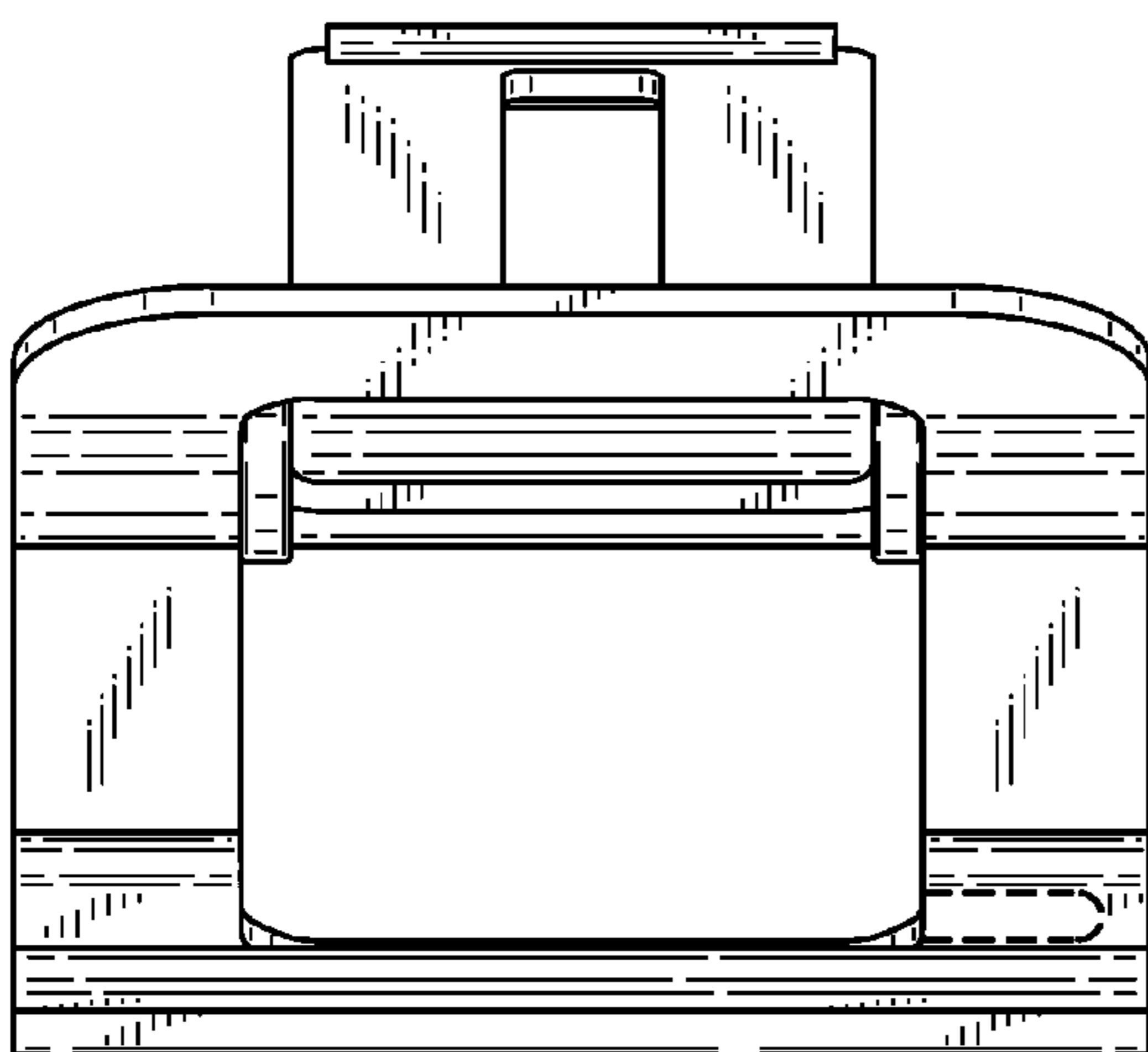
*FIG. 4*



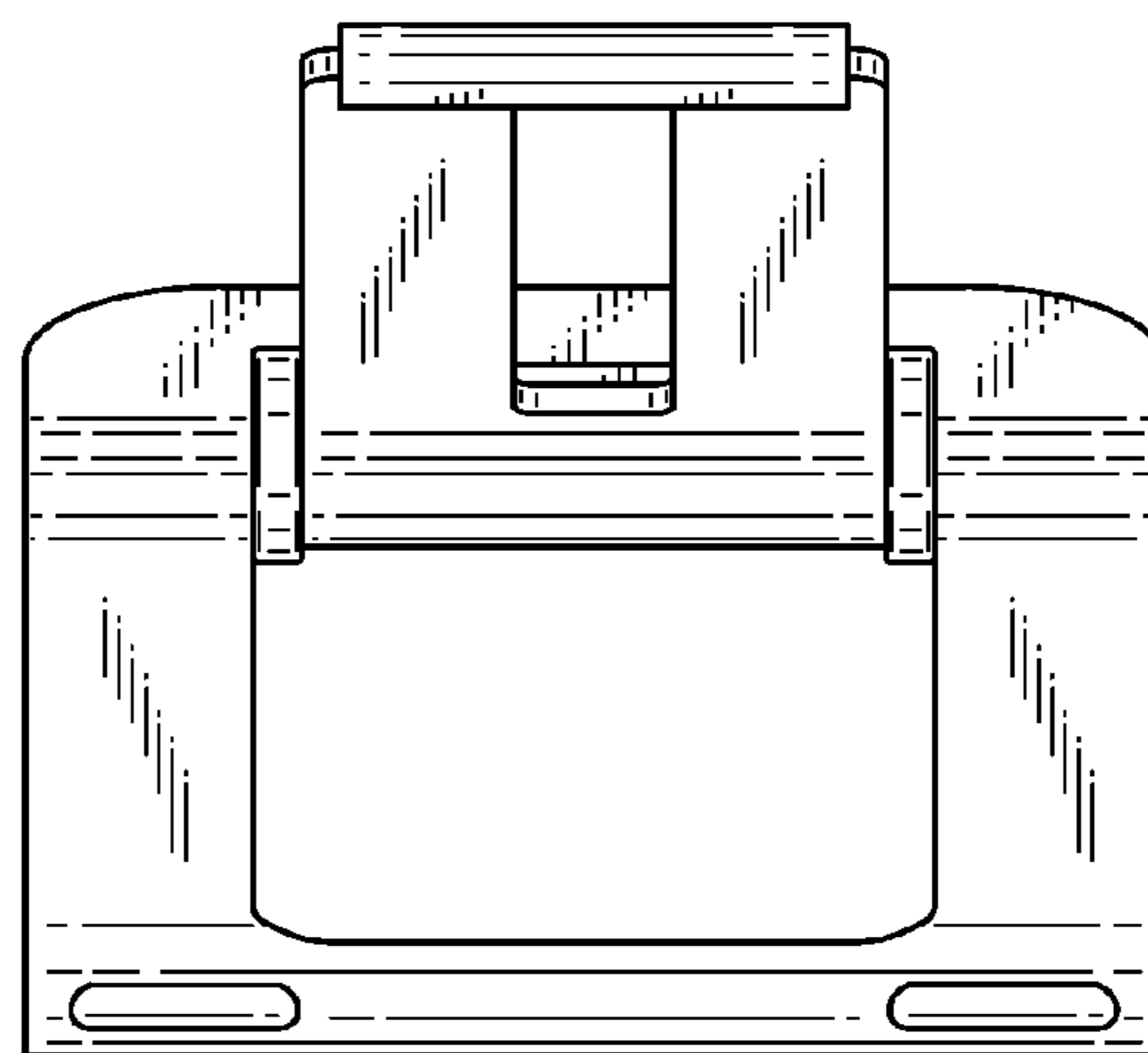
**FIG. 5**



**FIG. 6**



**FIG. 7**



**FIG. 8**