



US00D637582S

(12) **United States Design Patent**
Wada

(10) **Patent No.:** **US D637,582 S**
(45) **Date of Patent:** **** May 10, 2011**

- (54) **SPEAKER**
- (75) Inventor: **Takayuki Wada**, Tokyo (JP)
- (73) Assignee: **Sony Corporation**, Tokyo (JP)
- (**) Term: **14 Years**
- (21) Appl. No.: **29/347,813**
- (22) Filed: **Jun. 11, 2010**

| | | |
|------------|---------|-----------|
| D550,204 S | 9/2007 | Kaneda |
| D563,946 S | 3/2008 | Uehara |
| D563,947 S | 3/2008 | Uehara |
| D565,550 S | 4/2008 | Tai |
| D578,112 S | 10/2008 | Naito |
| D578,113 S | 10/2008 | Yagihashi |

FOREIGN PATENT DOCUMENTS

| | | |
|----|-------------|---------|
| CN | D107895 S | 11/2005 |
| CN | 300979736 S | 8/2009 |
| JP | D1303238 S | 6/2007 |
| JP | D1303250 S | 6/2007 |
| JP | D1330973 S | 5/2008 |
| JP | D1336097 S | 7/2008 |

* cited by examiner

Related U.S. Application Data

- (63) Continuation of application No. 29/347,522, filed on Feb. 19, 2010.
- (51) **LOC (9) Cl.** **14-01**
- (52) **U.S. Cl.** **D14/216**
- (58) **Field of Classification Search** D14/204, D14/210-216, 221, 224; 181/143-144, 147-148, 181/150-153, 157-159, 198-199; 381/300-303, 381/306, 332-333, 336, 345, 361-364, 386-388
See application file for complete search history.

Primary Examiner — Nanda Bondade

(74) *Attorney, Agent, or Firm* — Rader, Fishman & Grauer PLLC

(57) **CLAIM**

The ornamental design for a speaker, as shown and described.

DESCRIPTION

FIG. 1 is a perspective view of a speaker showing my new design;
 FIG. 2 is a rear elevational view thereof;
 FIG. 3 is a left side elevational view thereof;
 FIG. 4 is a right side elevational view thereof;
 FIG. 5 is a top plan view thereof; and,
 FIG. 6 is a bottom plan view thereof.
 Portions in broken lines are for illustrative purpose only and form no part of the claimed design.

1 Claim, 4 Drawing Sheets

(56) **References Cited**

U.S. PATENT DOCUMENTS

| | | | | | |
|------------|---|---------|-------------|-------|---------|
| D225,069 S | * | 11/1972 | May et al. | | D14/216 |
| D432,118 S | * | 10/2000 | Honnert | | D14/216 |
| D451,087 S | * | 11/2001 | Moro et al. | | D14/221 |
| D475,992 S | * | 6/2003 | Tomotaro | | D14/216 |
| D480,070 S | | 9/2003 | Hakoda | | |
| D483,743 S | * | 12/2003 | Vosse | | D14/224 |
| D486,818 S | | 2/2004 | Shindo | | |
| D489,359 S | | 5/2004 | Hakoda | | |
| D534,162 S | | 12/2006 | Shindo | | |

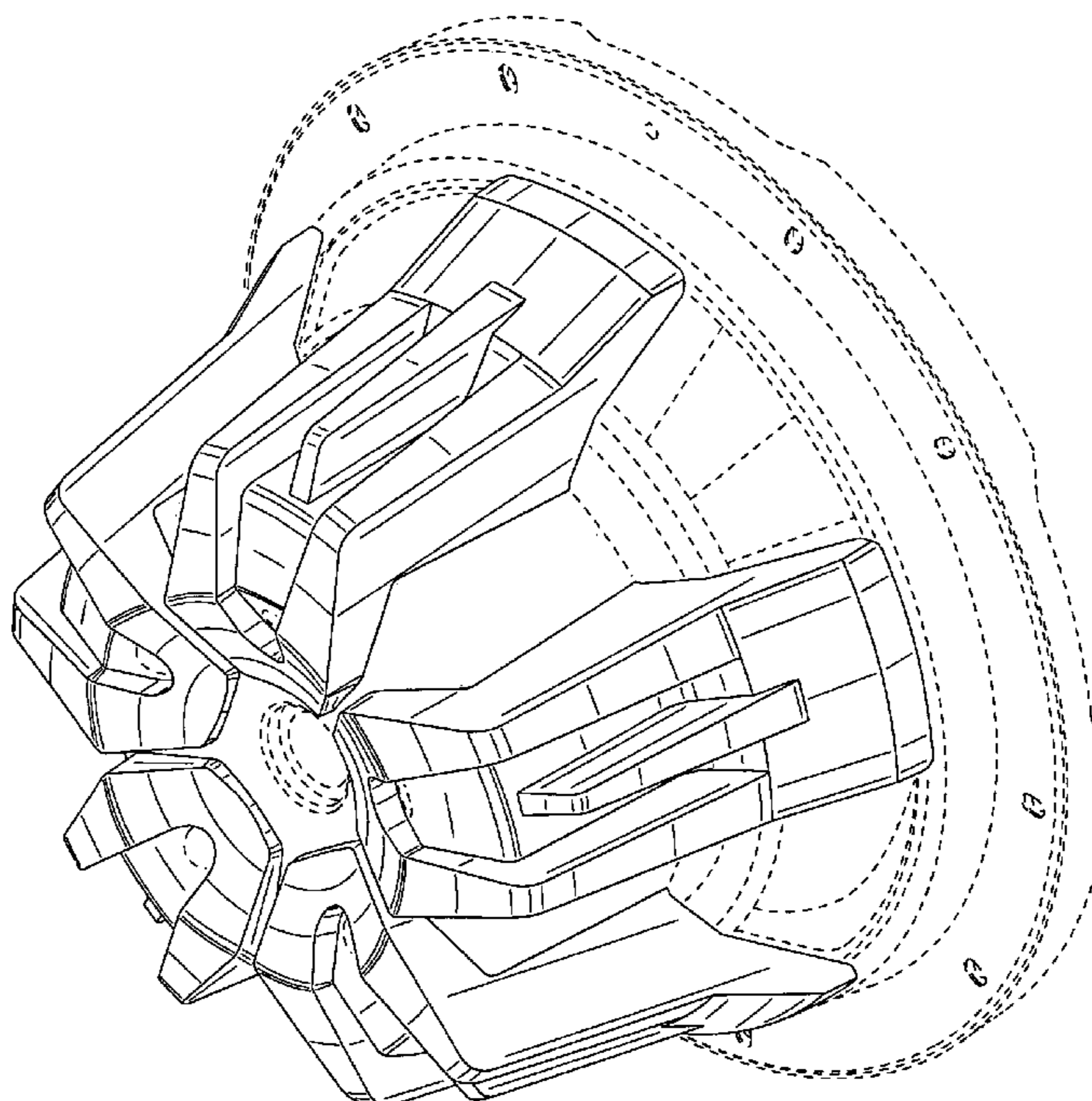


FIG. 1

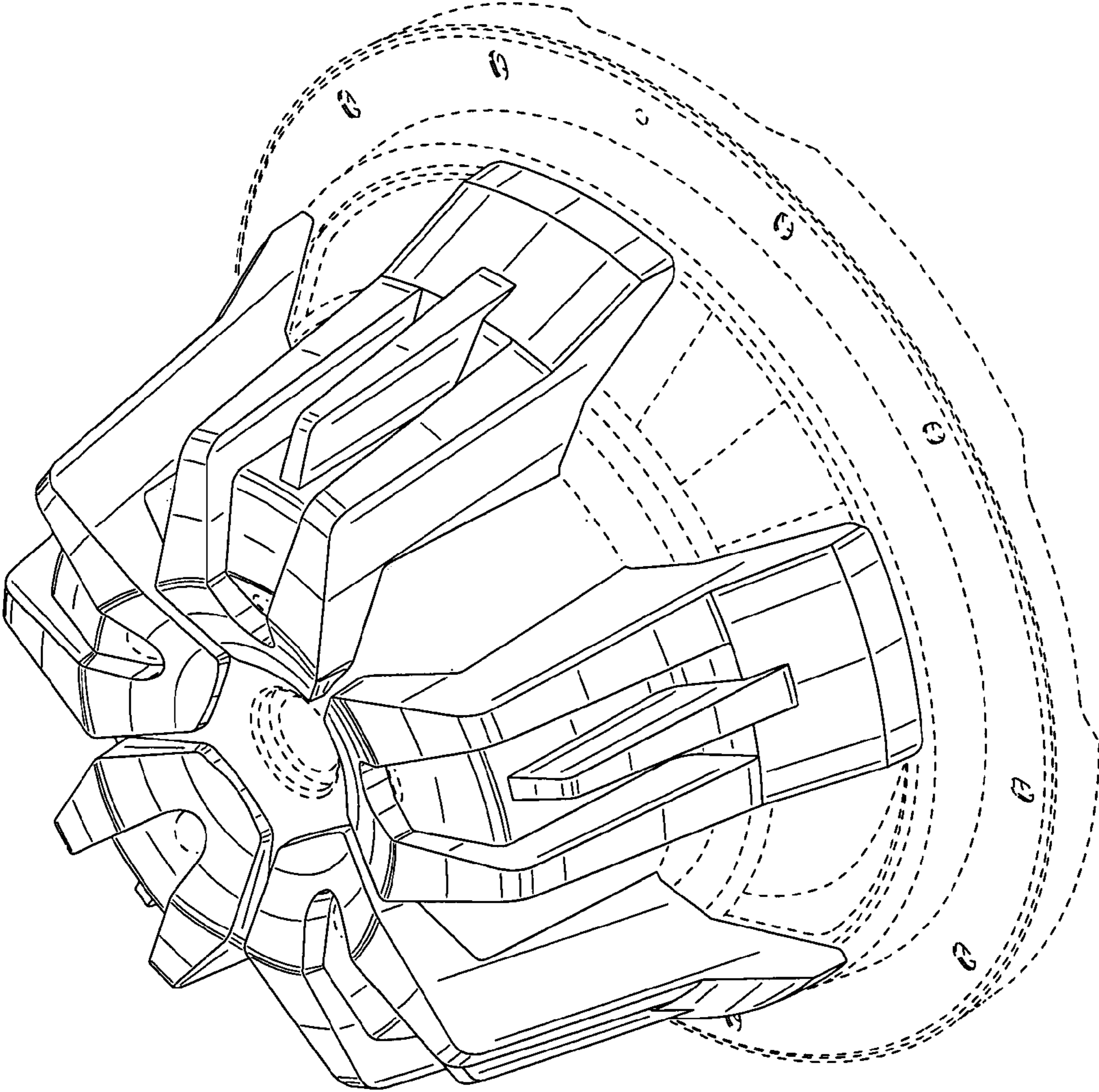


FIG. 2

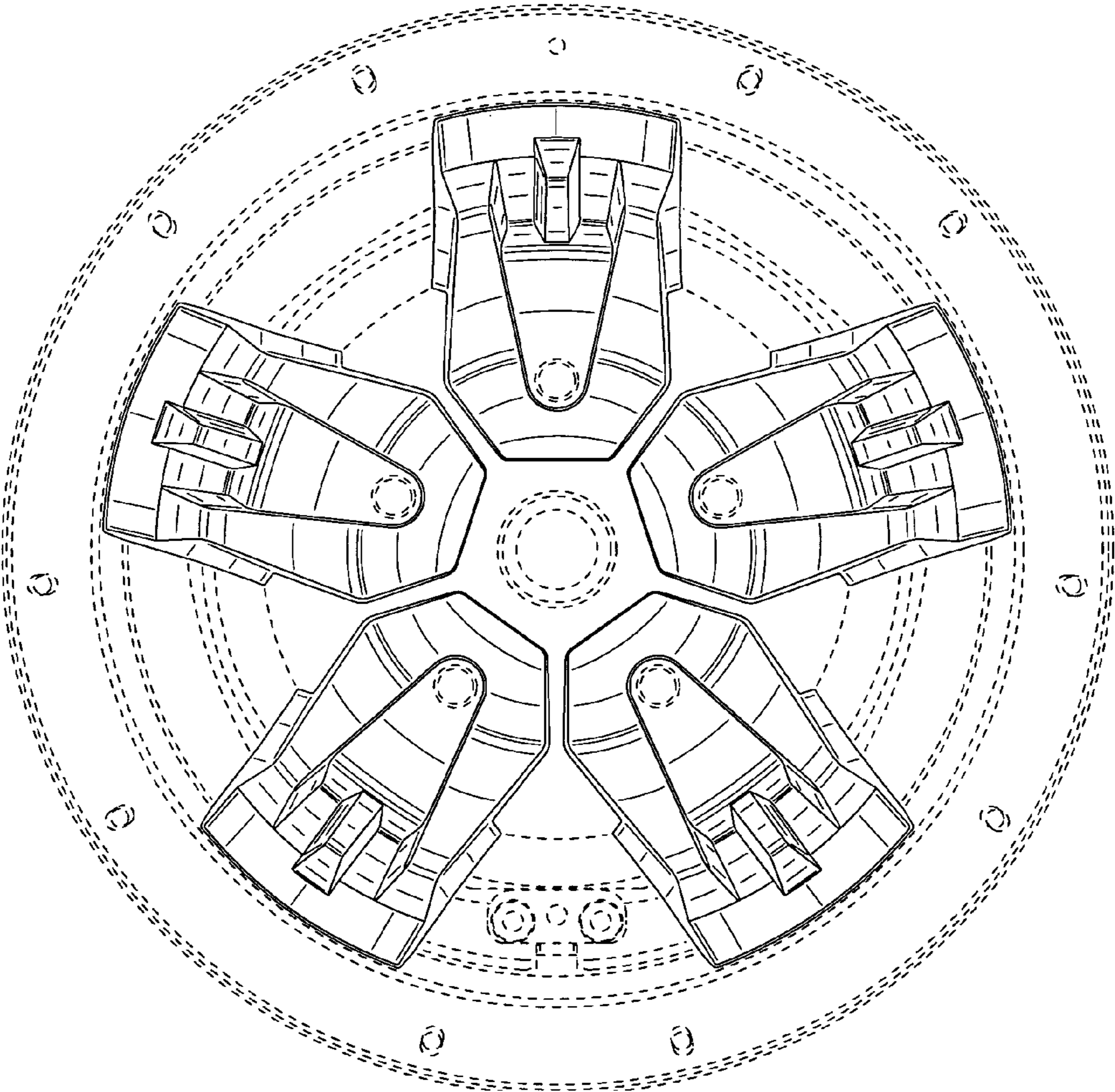


FIG. 4

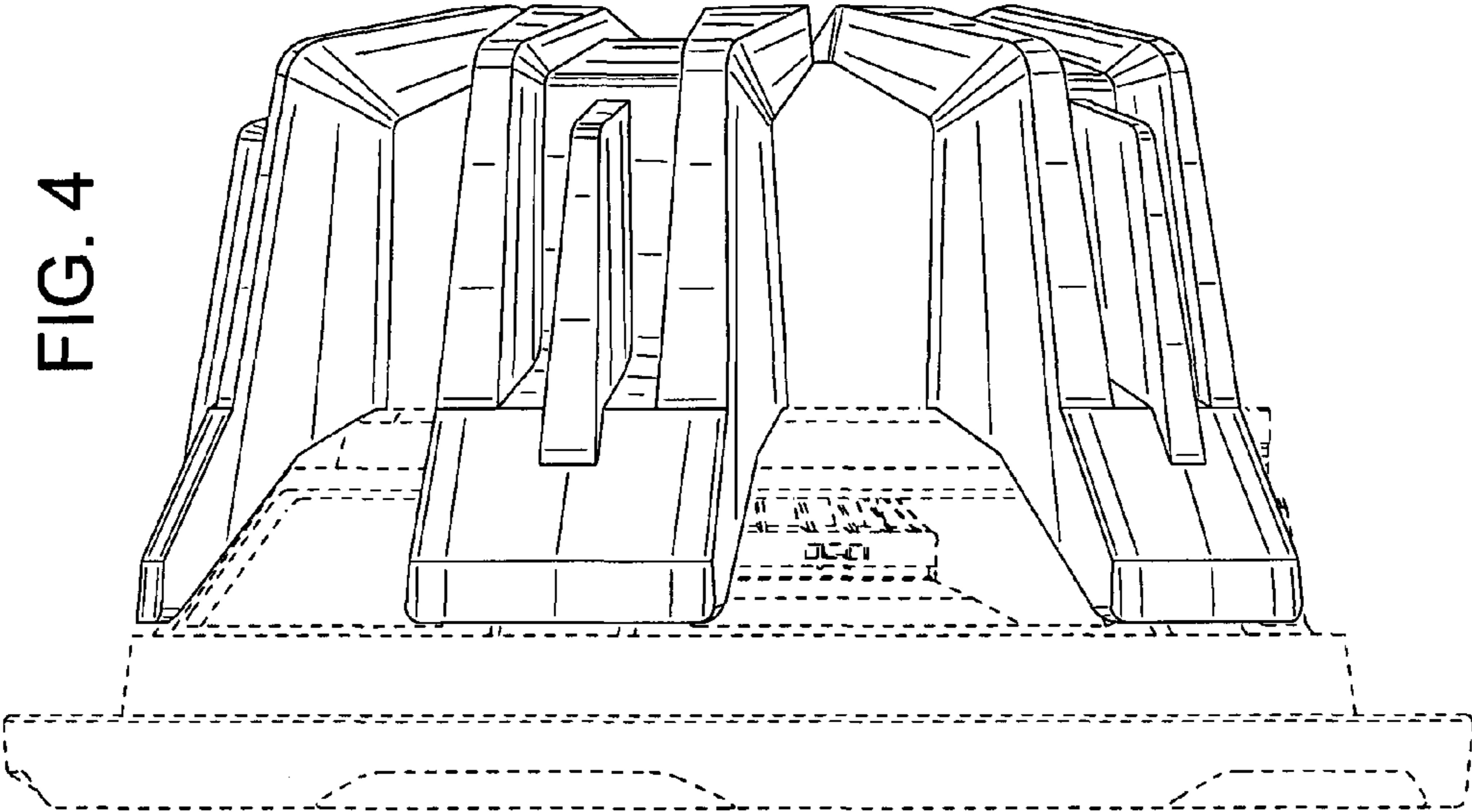


FIG. 3

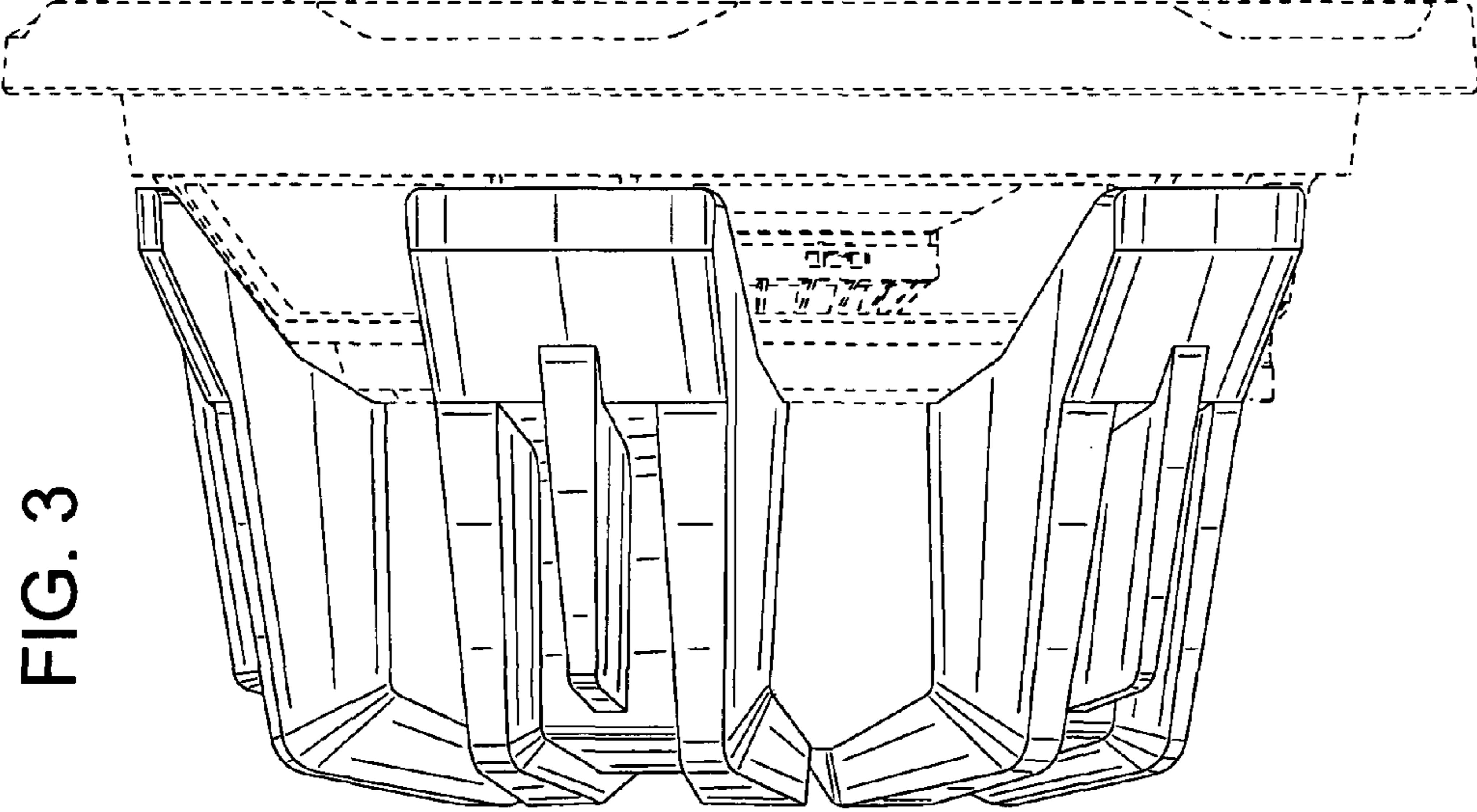


FIG. 5

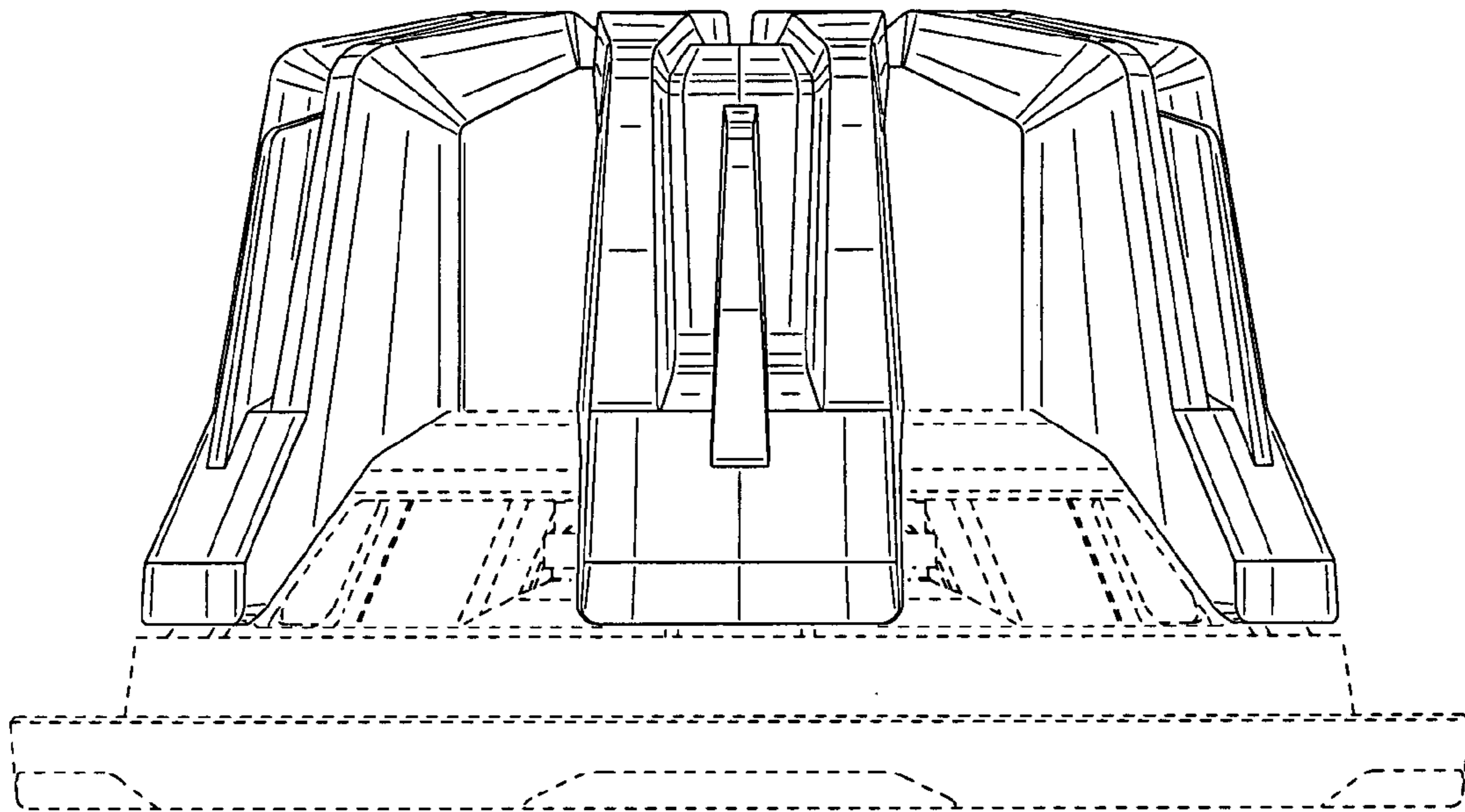


FIG. 6

