



US00D637579S

(12) **United States Design Patent**  
**Hamaura et al.**

(10) **Patent No.:** **US D637,579 S**  
(45) **Date of Patent:** **\*\* May 10, 2011**

(54) **HEADPHONE**

(75) Inventors: **Jun Hamaura**, Tokyo (JP); **Hiroyuki Ochiai**, Kanagawa (JP)

(73) Assignee: **Kabushiki Kaisha Audio-Technica**, Tokyo (JP)

(\*\*) Term: **14 Years**

(21) Appl. No.: **29/363,477**

(22) Filed: **Jun. 10, 2010**

(30) **Foreign Application Priority Data**

Dec. 24, 2009 (JP) ..... 2009-030072

(51) **LOC (9) Cl.** ..... **14-01**

(52) **U.S. Cl.** ..... **D14/205**

(58) **Field of Classification Search** ..... D14/205,  
D14/206, 223; 379/430, 431; 381/380, 381,  
381/378, 379, 370, 371, 374; 181/129, 130;  
D29/112; 2/209; 128/866, 867; 455/575.2,  
455/575.1

See application file for complete search history.

(56) **References Cited**

**U.S. PATENT DOCUMENTS**

3,073,410 A \* 1/1963 Gongoll et al. .... 2/209  
4,471,496 A \* 9/1984 Gardner et al. .... 2/209  
D328,461 S \* 8/1992 Daido et al. .... D14/205  
D353,818 S \* 12/1994 Nakamura ..... D14/205  
D431,550 S \* 10/2000 Yoneda ..... D14/205

D491,163 S \* 6/2004 Green ..... D14/205  
D538,261 S \* 3/2007 Taylor et al. .... D14/205  
D541,255 S \* 4/2007 Taylor et al. .... D14/205  
D549,688 S \* 8/2007 Suzuki ..... D14/205  
D552,077 S \* 10/2007 Brunner et al. .... D14/205  
D581,394 S \* 11/2008 Lee ..... D14/205  
D585,871 S \* 2/2009 Lee ..... D14/205  
D585,872 S \* 2/2009 Lee ..... D14/205  
D588,098 S \* 3/2009 Kurihara ..... D14/205  
D594,847 S \* 6/2009 Suzuki ..... D14/205  
D597,070 S \* 7/2009 Zheng ..... D14/205  
D603,370 S \* 11/2009 Suzuki ..... D14/205  
D616,865 S \* 6/2010 Marchand et al. .... D14/205

\* cited by examiner

*Primary Examiner* — Paula Greene

(74) *Attorney, Agent, or Firm* — Whitham Curtis  
Christofferson & Cook, PC

(57) **CLAIM**

We claim the ornamental design for the headphone, as shown and described.

**DESCRIPTION**

FIG. 1 is a front elevational view of the headphone;  
FIG. 2 is a rear elevational view of the headphone;  
FIG. 3 is a top plan view of the headphone;  
FIG. 4 is a bottom plan view of the headphone;  
FIG. 5 is a right side elevational view of the headphone;  
FIG. 6 is a left side elevational view of the headphone; and,  
FIG. 7 is a perspective view of the headphone.

**1 Claim, 7 Drawing Sheets**

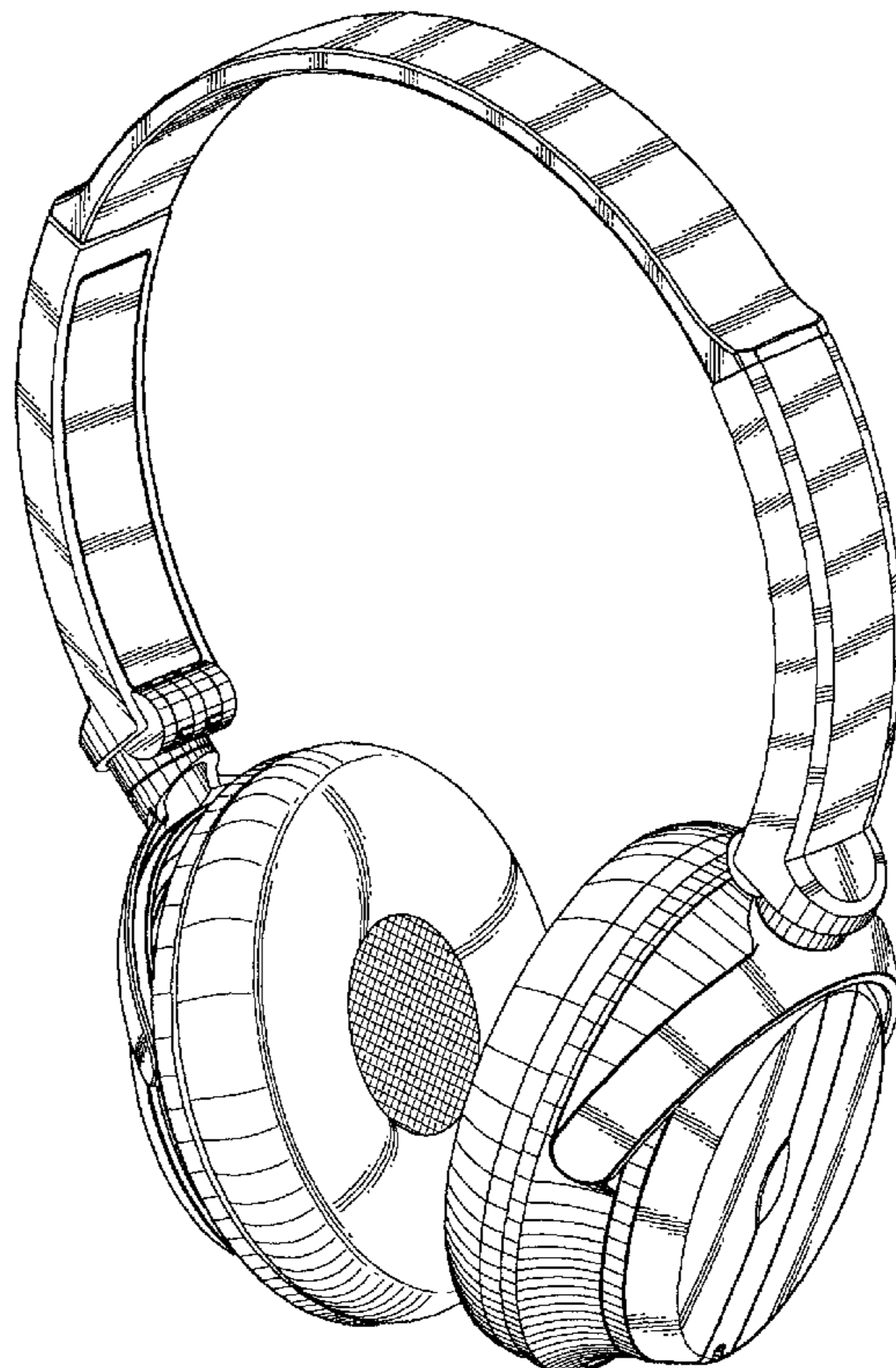


FIGURE 1

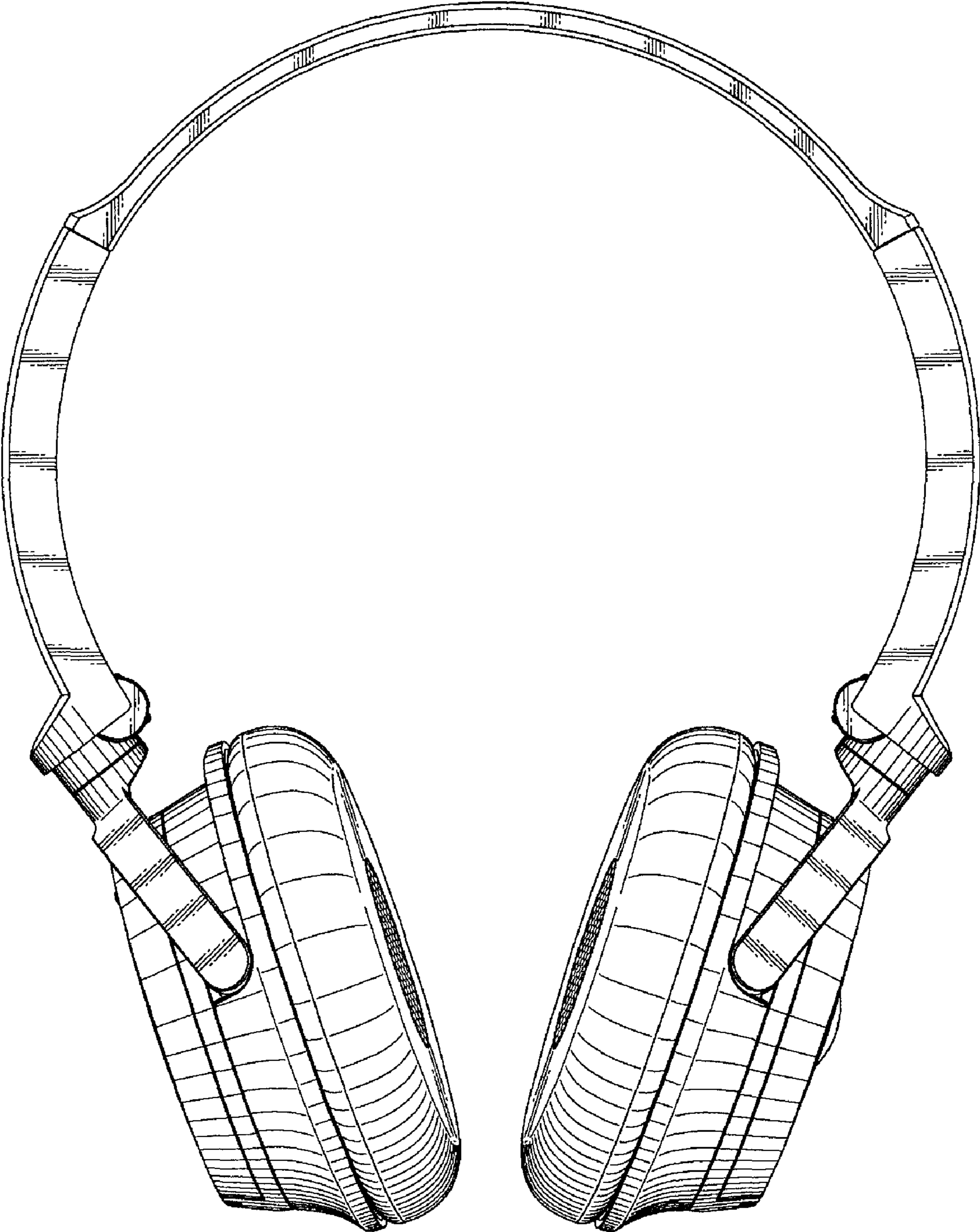


FIGURE 2

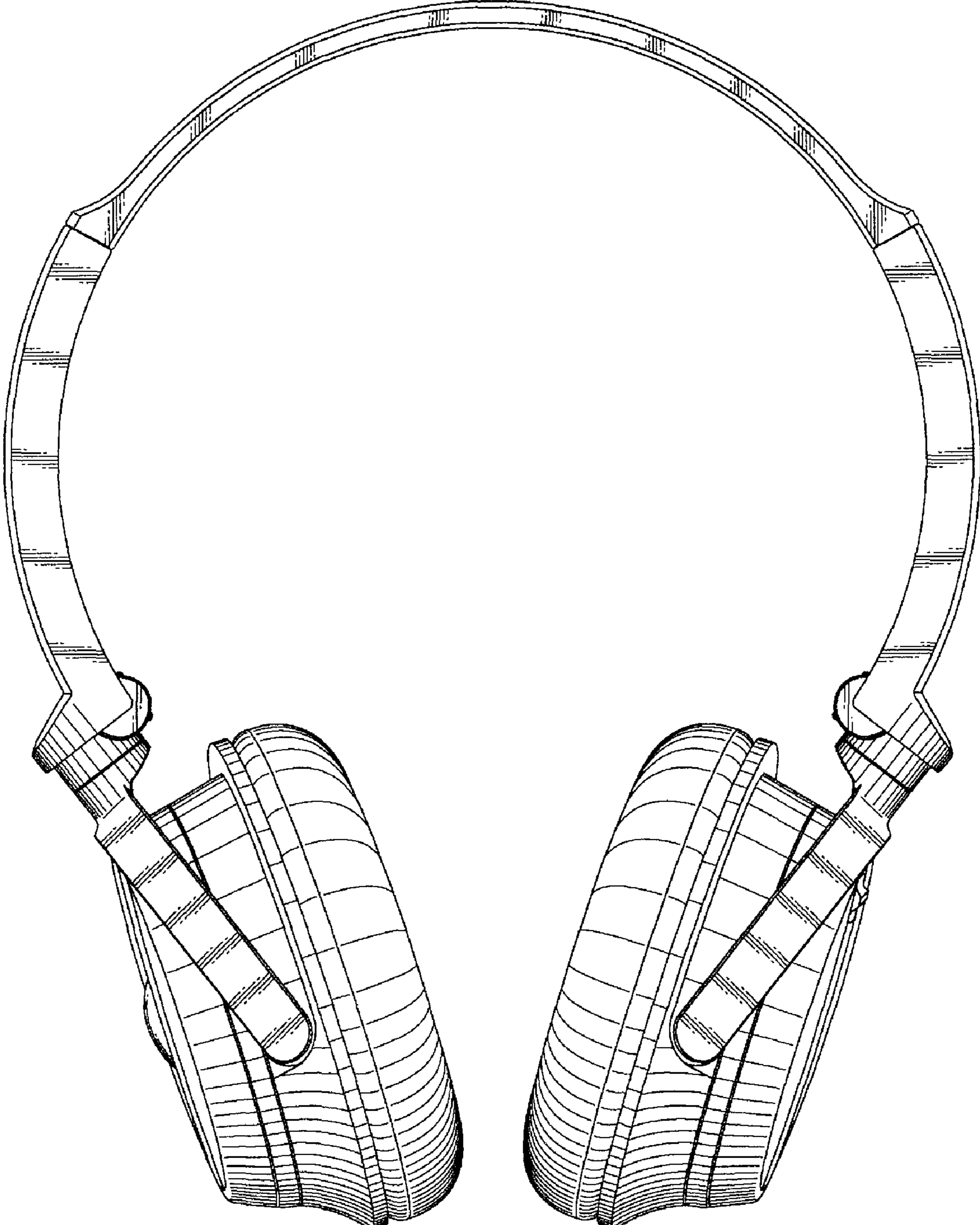


FIGURE 3

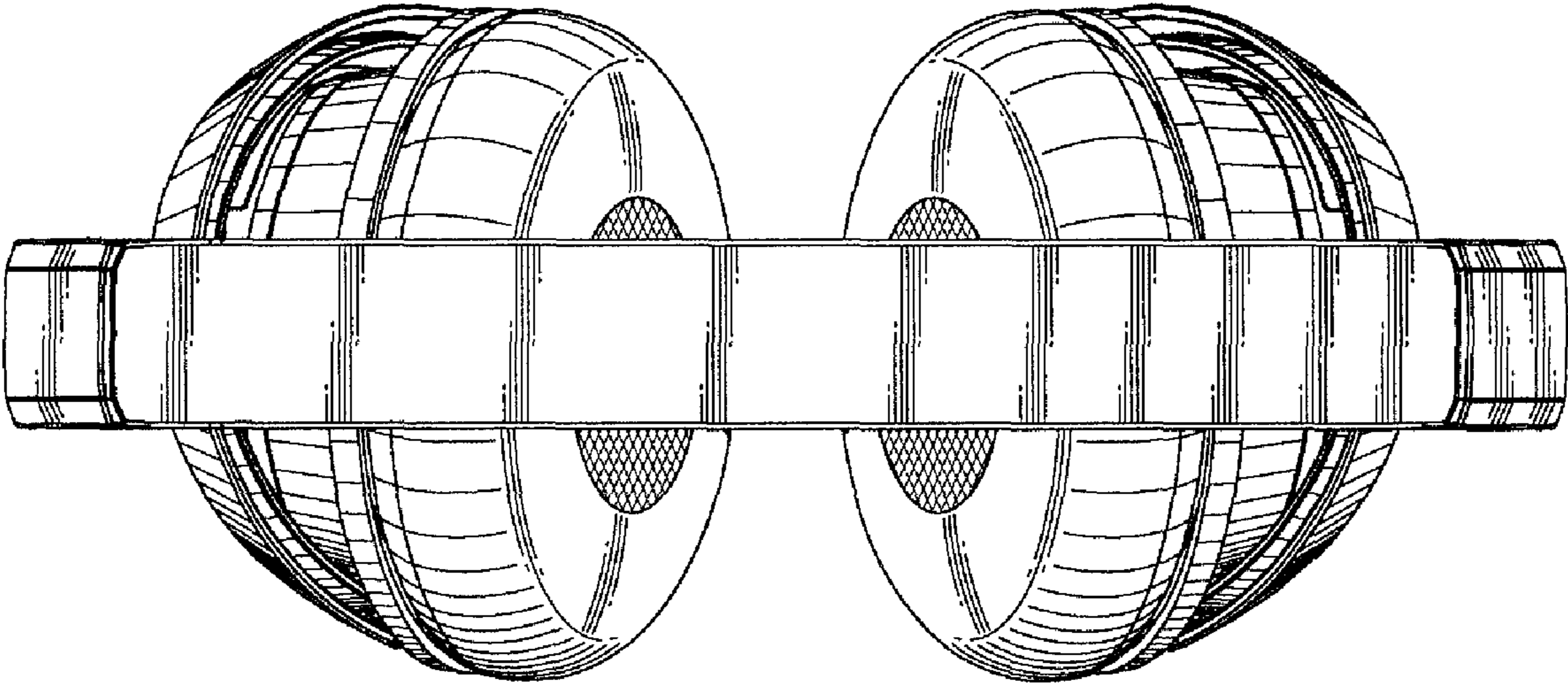


FIGURE 4

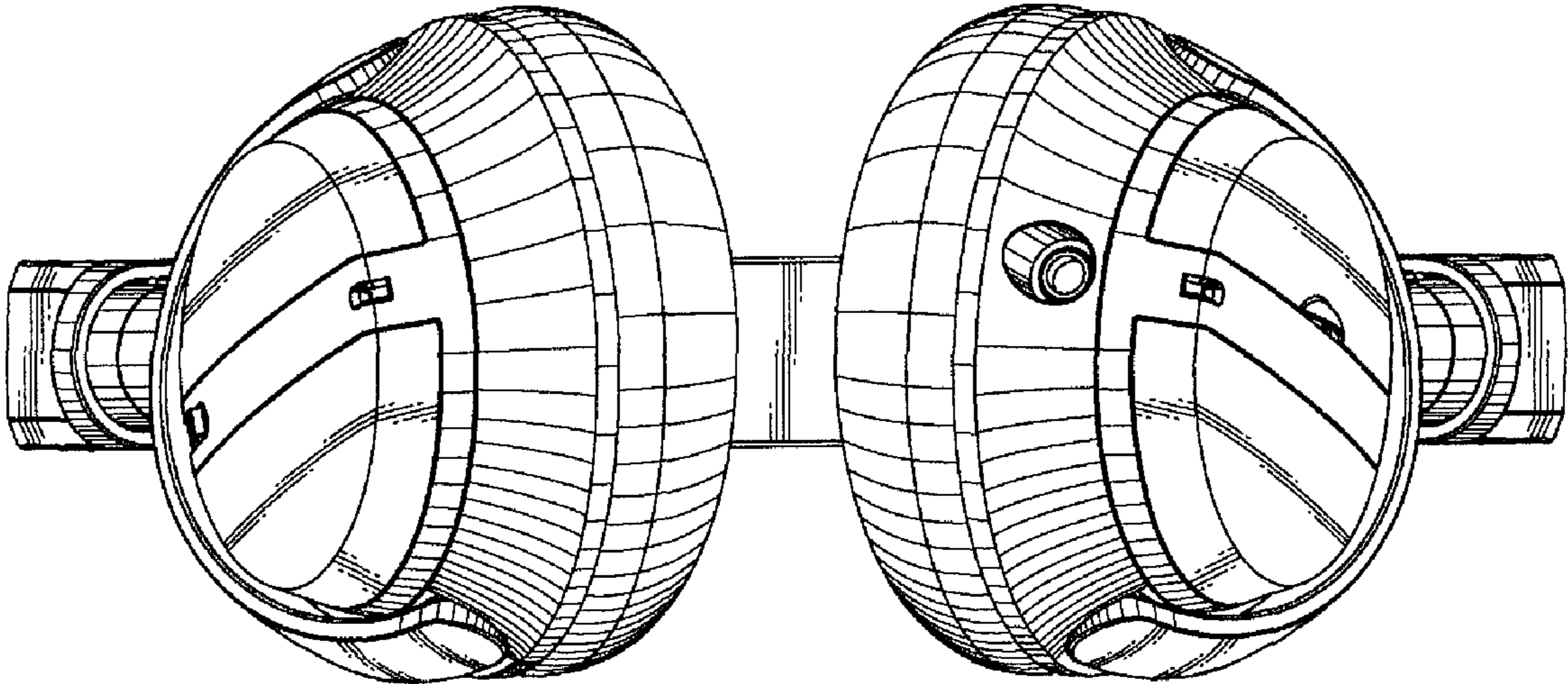


FIGURE 5

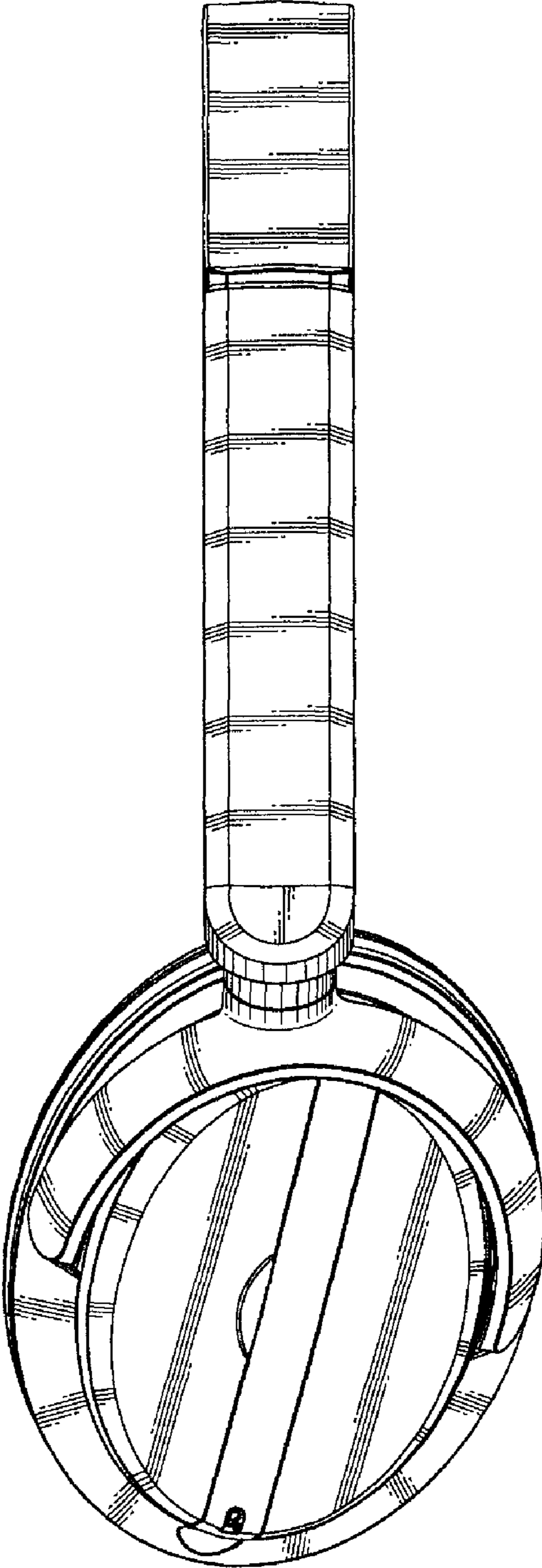


FIGURE 6

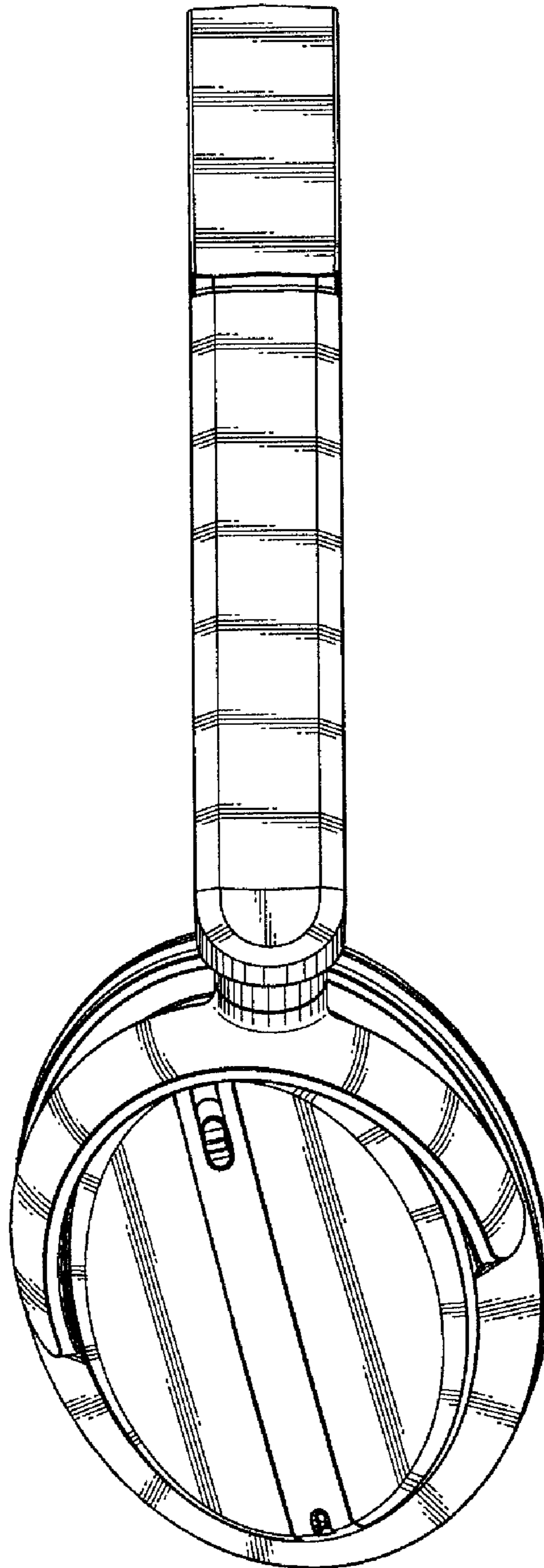


FIGURE 7

