



US00D637577S

(12) **United States Design Patent**  
**Han et al.**

(10) **Patent No.:** **US D637,577 S**

(45) **Date of Patent:** **\*\* May 10, 2011**

(54) **MOBILE PHONE**

(75) Inventors: **Woo-Seung Han**, Seoul (KR);  
**Young-Keun Lee**, Seoul (KR)

(73) Assignee: **Samsung Electronics Co., Ltd.** (KR)

(\*\*) Term: **14 Years**

(21) Appl. No.: **29/371,052**

(22) Filed: **Sep. 30, 2010**

(30) **Foreign Application Priority Data**

Aug. 11, 2010 (KR) ..... 30-2010-0034896

(51) **LOC (9) Cl.** ..... **14-03**

(52) **U.S. Cl.** ..... **D14/138 AA**

(58) **Field of Classification Search** ..... D14/138 AA,  
D14/138 AB, 138 R, 138 AD, 138 AC, 138 G,  
D14/341, 345, 346, 203.4, 203.7, 203.1, 203.3,  
D14/496; 455/575.3, 575.1, 575.4, 556.2;  
379/433.01, 433.04, 433.1, 433.13; D21/517  
See application file for complete search history.

(56) **References Cited**

**U.S. PATENT DOCUMENTS**

D539,775 S *	4/2007	Park et al.	.....	D14/138 AA
D556,726 S *	12/2007	Dai	.....	D14/138 AA
D556,749 S *	12/2007	Rak et al.	.....	D14/346
D576,988 S *	9/2008	Kim et al.	.....	D14/138 AA
D582,372 S *	12/2008	Lee et al.	.....	D14/138 AA
D591,742 S *	5/2009	Hofer et al.	.....	D14/346
D601,540 S *	10/2009	Kim et al.	.....	D14/138 AA
D603,831 S *	11/2009	Ho et al.	.....	D14/138 AA
D603,832 S *	11/2009	Ho	.....	D14/138 AA
D603,833 S *	11/2009	Ho et al.	.....	D14/138 AA
D607,866 S *	1/2010	Kim et al.	.....	D14/138 AA
D608,329 S *	1/2010	Kim et al.	.....	D14/138 AA
D612,376 S *	3/2010	Cebe	.....	D14/346
D612,849 S *	3/2010	Ferrari et al.	.....	D14/346

D614,159 S *	4/2010	Lee et al.	.....	D14/138 AA
D615,061 S *	5/2010	Choi et al.	.....	D14/138 AA
D615,062 S *	5/2010	Tsai et al.	.....	D14/138 AA
D615,953 S *	5/2010	Lee et al.	.....	D14/138 AA
D622,247 S *	8/2010	Kwon et al.	.....	D14/138 AA
D622,251 S *	8/2010	Kim et al.	.....	D14/138 AA
D623,163 S *	9/2010	Choi et al.	.....	D14/138 AA
D626,105 S *	10/2010	Kim et al.	.....	D14/138 AA
D628,550 S *	12/2010	Chen	.....	D14/138 AA
D628,973 S *	12/2010	Ku	.....	D14/138 AA
2009/0209301 A1 *	8/2009	Lin et al.	.....	455/575.1

**OTHER PUBLICATIONS**

iNQ Chat 3G telephone, announced Oct. 2009, [online], [site visited Dec. 12, 2010]. Available from Internet ,<URL: <http://www.gsmarena.com>>.\*

Huawei U9130 Compass telephone, announced Dec. 2009, [online], [site visited Dec. 12, 2010]. Available from Internet ,<URL: <http://www.gsmarena.com>>.\*

Nokia E73 Mode telephone, announced Jun. 2010, [online], [site visited Dec. 12, 2010]. Available from Internet ,<URL: <http://www.gsmarena.com>>.\*

(Continued)

*Primary Examiner* — Jeffrey D Asch

(74) *Attorney, Agent, or Firm* — NSIP Law

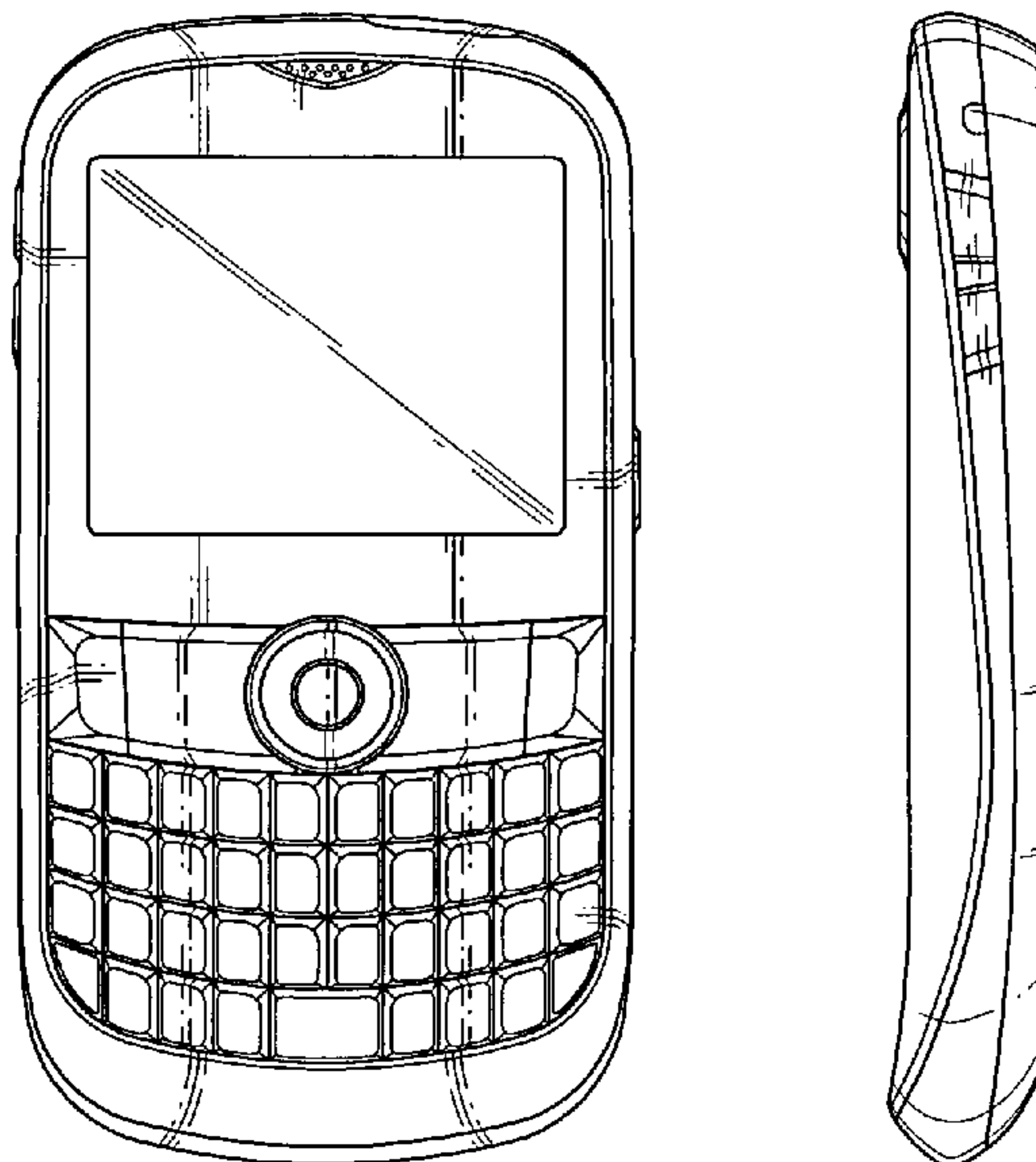
(57) **CLAIM**

The ornamental design for a mobile phone, as shown and described.

**DESCRIPTION**

FIG. 1 is a perspective view of a mobile phone;  
FIG. 2 is a front view of the mobile phone of FIG. 1;  
FIG. 3 is a rear view of the mobile phone of FIG. 1;  
FIG. 4 is a left-side view of the mobile phone of FIG. 1;  
FIG. 5 is a right-side view of the mobile phone of FIG. 1;  
FIG. 6 is a top plan view of the mobile phone of FIG. 1; and,  
FIG. 7 is a bottom plan view of the mobile phone of FIG. 1.

**1 Claim, 5 Drawing Sheets**



OTHER PUBLICATIONS

Samsung B3210 CorbyTXT telephone, announced Sep. 2009, [online], [site visited Dec. 12, 2010]. Available from Internet ,<URL: <http://www.gsmarena.com>>.\*

LG C105 telephone, announced Sep. 2009, [online], [site visited Dec. 12, 2010]. Available from Internet ,<URL: <http://www.gsmarena.com>>.\*

LG Town C300 telephone, announced Sep. 2010, [online], [site visited Dec. 12, 2010]. Available from Internet ,<URL: <http://www.gsmarena.com>>.\*

Spice QT-52 telephone, announced Jul. 2010, [online], [site visited Dec. 12, 2010]. Available from Internet ,<URL: <http://www.gsmarena.com>>.\*

Samsung i225 Exec telephone, announced Apr. 2010, [online], [site visited Dec. 12, 2010]. Available from Internet ,<URL: <http://www.gsmarena.com>>.\*

Alcatel OT-800 One Touch Tribe telephone, announced Jun. 2009, [online], [site visited Dec. 12, 2010]. Available from Internet ,<URL: <http://www.gsmarena.com>>.\*

ZTE X990 telephone, announced Mar. 2010, [online], [site visited Dec. 12, 2010]. Available from Internet ,<URL: <http://www.gsmarena.com>>.\*

Nokia E5 telephone, announced Apr. 2010, [online], [site visited Dec. 12, 2010]. Available from Internet ,<URL: <http://www.gsmarena.com>>.\*

Samsung i220 Code telephone, announced Jul. 2010, [online], [site visited Dec. 12, 2010]. Available from Internet ,<URL: <http://www.gsmarena.com>>.\*

\* cited by examiner

FIG. 1

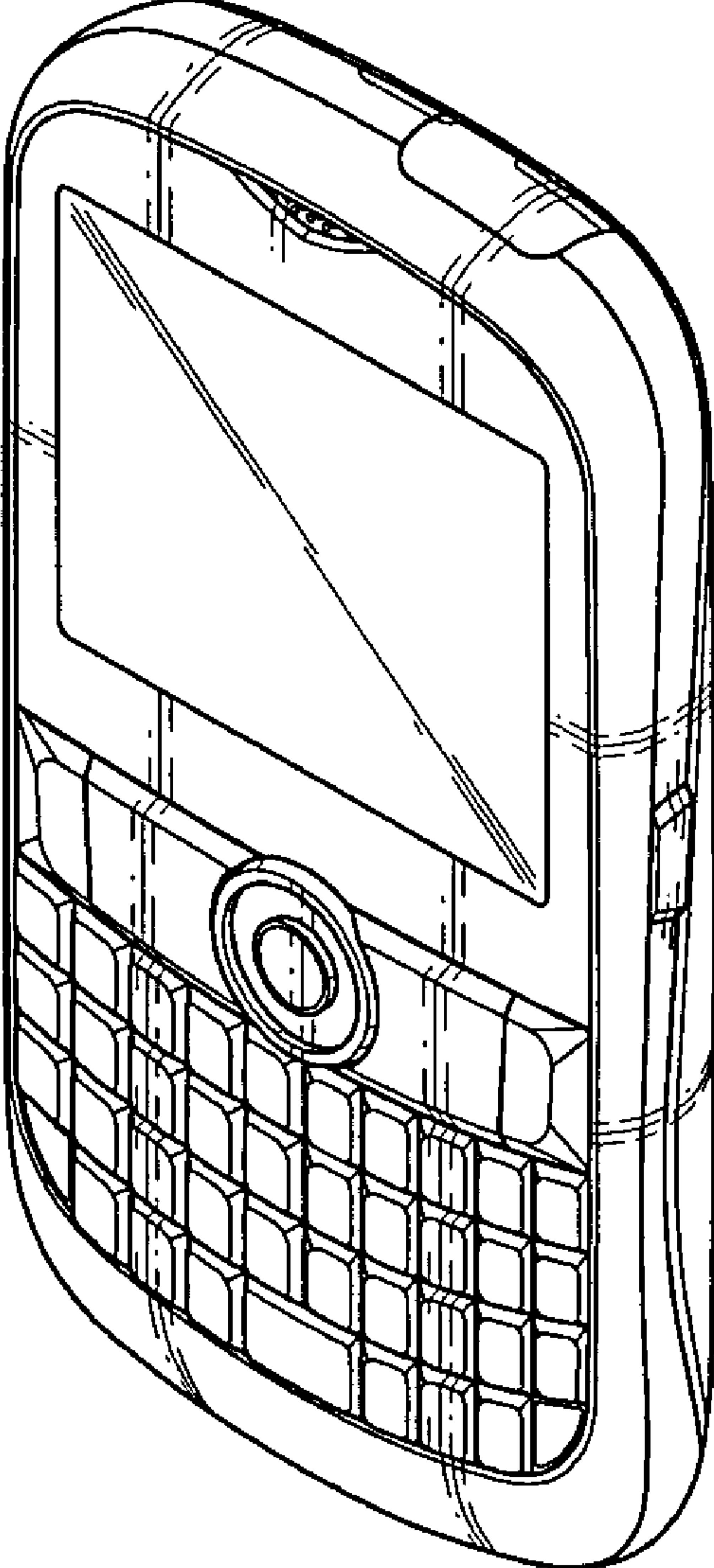


FIG. 2

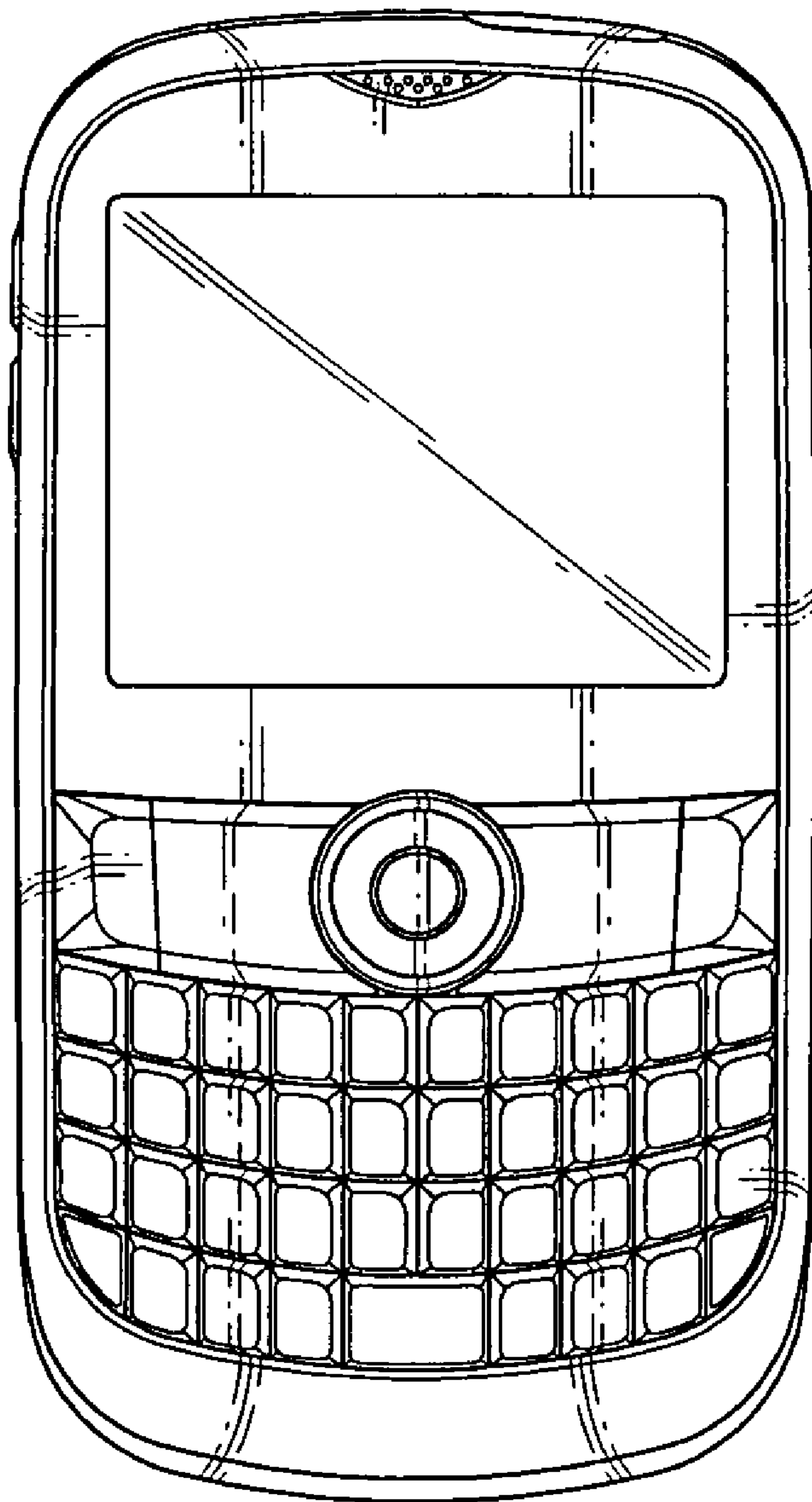


FIG. 3

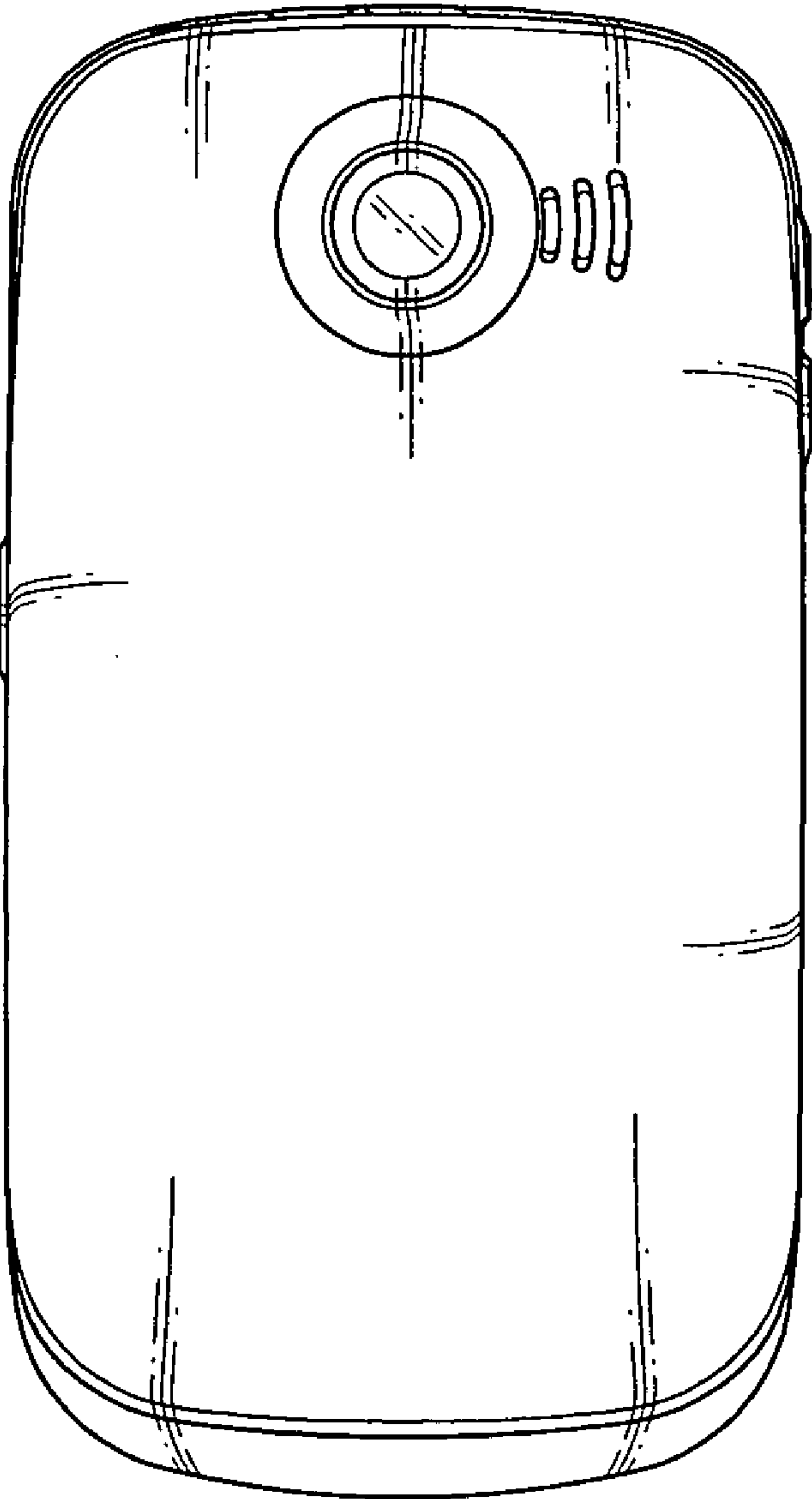


FIG. 4



FIG. 5

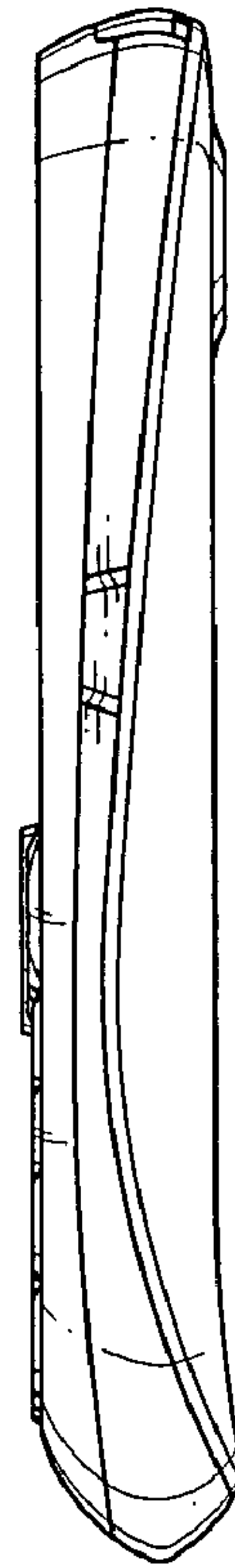




FIG. 6

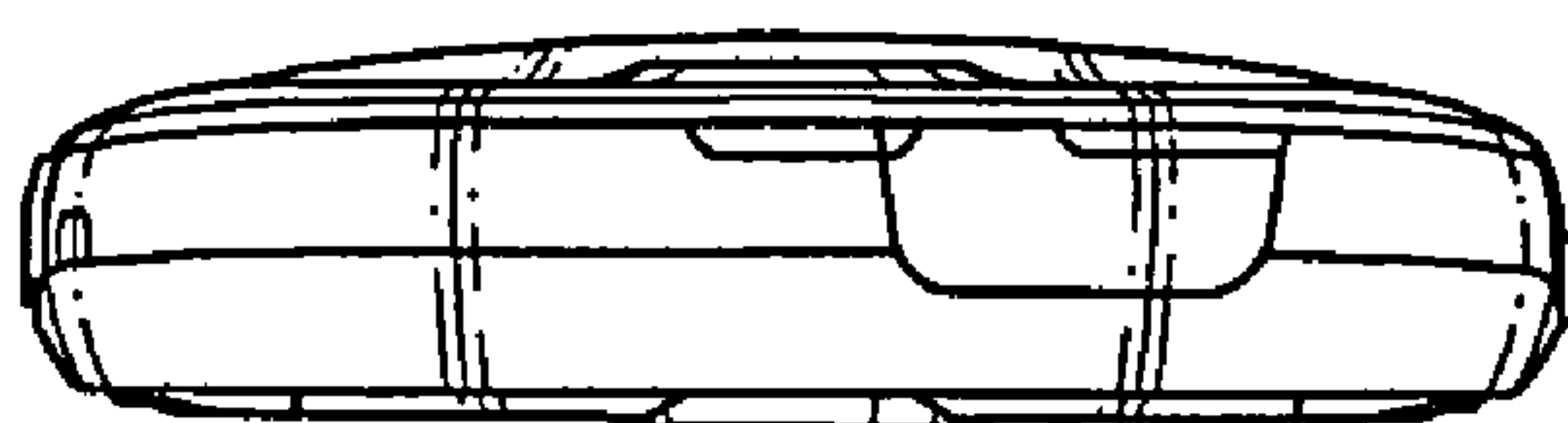


FIG. 7

