



US00D637574S

(12) **United States Design Patent**
Araki

(10) **Patent No.:** **US D637,574 S**

(45) **Date of Patent:** **** May 10, 2011**

(54) **TELEVISION RECEIVER**

(75) Inventor: **Satoshi Araki**, Tokyo (JP)

(73) Assignee: **Kabushiki Kaisha Toshiba**, Tokyo (JP)

(**) Term: **14 Years**

(21) Appl. No.: **29/381,311**

(22) Filed: **Dec. 17, 2010**

(51) **LOC (9) Cl.** **14-03**

(52) **U.S. Cl.** **D14/126**

(58) **Field of Classification Search** D14/125-134,
D14/239, 371, 136, 374-377, 440, 450, 448,
D14/336, 342; 312/7.2; 348/836, 838, 180,
348/184, 325, 739; 341/12; 248/917-924,
248/465; 345/104, 133, 156, 168, 87, 173;
720/605, 669, 600, 655; 369/99, 197; 455/344,
455/347; D21/329, 515, 577, 622, 333, 433,
D21/448, 452, 450, 331; D6/477, 479, 300;
273/148 B; 446/484, 175, 356; D10/15,
D10/26

See application file for complete search history.

(56) **References Cited**

U.S. PATENT DOCUMENTS

D546,304 S *	7/2007	Kim et al.	D14/126
D562,788 S *	2/2008	Asanuma et al.	D14/126
D563,336 S *	3/2008	Shih et al.	D14/126
D578,496 S *	10/2008	Leonard	D14/126
D611,918 S *	3/2010	Shih et al.	D14/126
D616,841 S *	6/2010	Kim et al.	D14/126

D618,641 S *	6/2010	Kim et al.	D14/126
D621,374 S *	8/2010	Kim et al.	D14/126
D622,236 S *	8/2010	Lim et al.	D14/126
D624,512 S *	9/2010	Kim et al.	D14/126
D626,925 S *	11/2010	Li	D14/126
D627,750 S *	11/2010	Suzuki	D14/126
D629,374 S *	12/2010	Fujii et al.	D14/129

FOREIGN PATENT DOCUMENTS

CN	300942827D	6/2009
CN	301104911D	1/2010
JP	1124927	10/2001
JP	1350993	2/2009
JP	1388271	5/2010

* cited by examiner

Primary Examiner — Raphael Barkai

(74) *Attorney, Agent, or Firm* — Banner & Witcoff, Ltd.

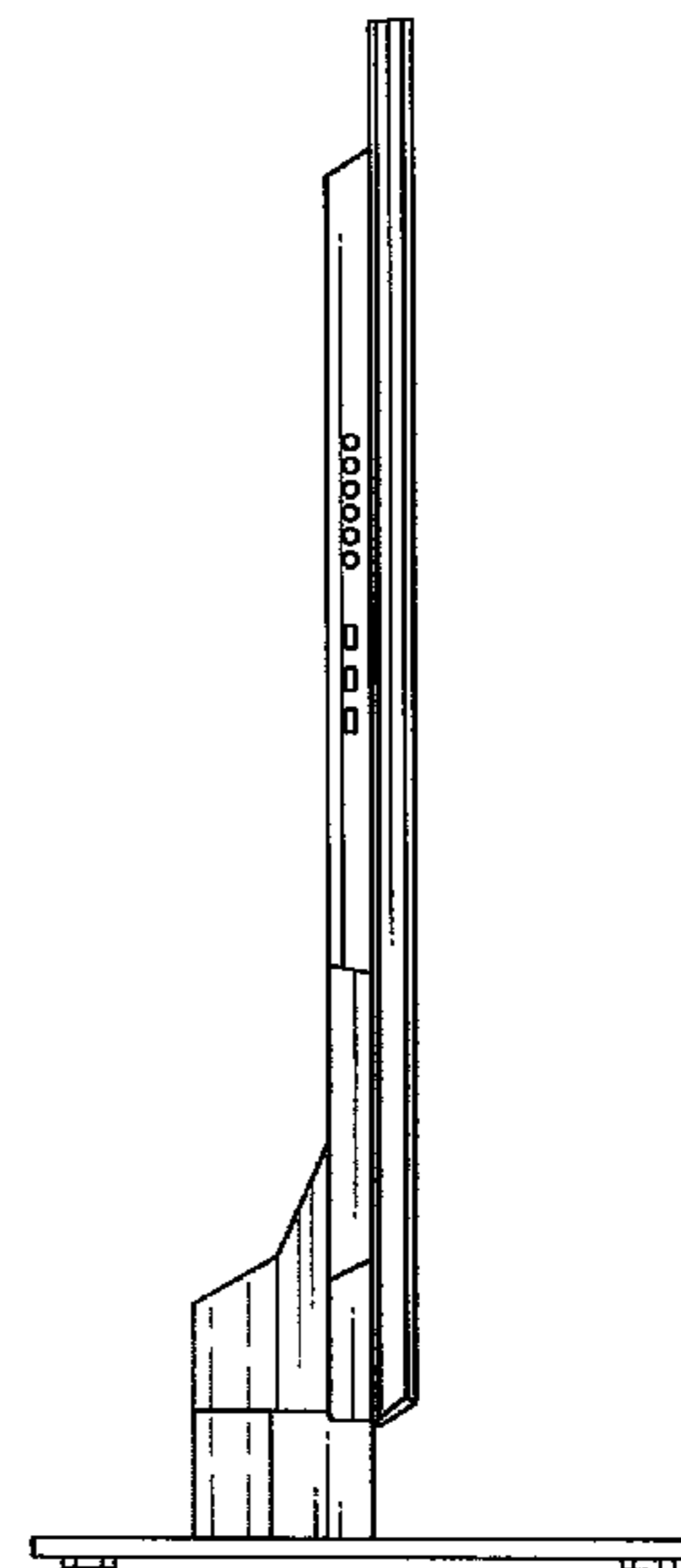
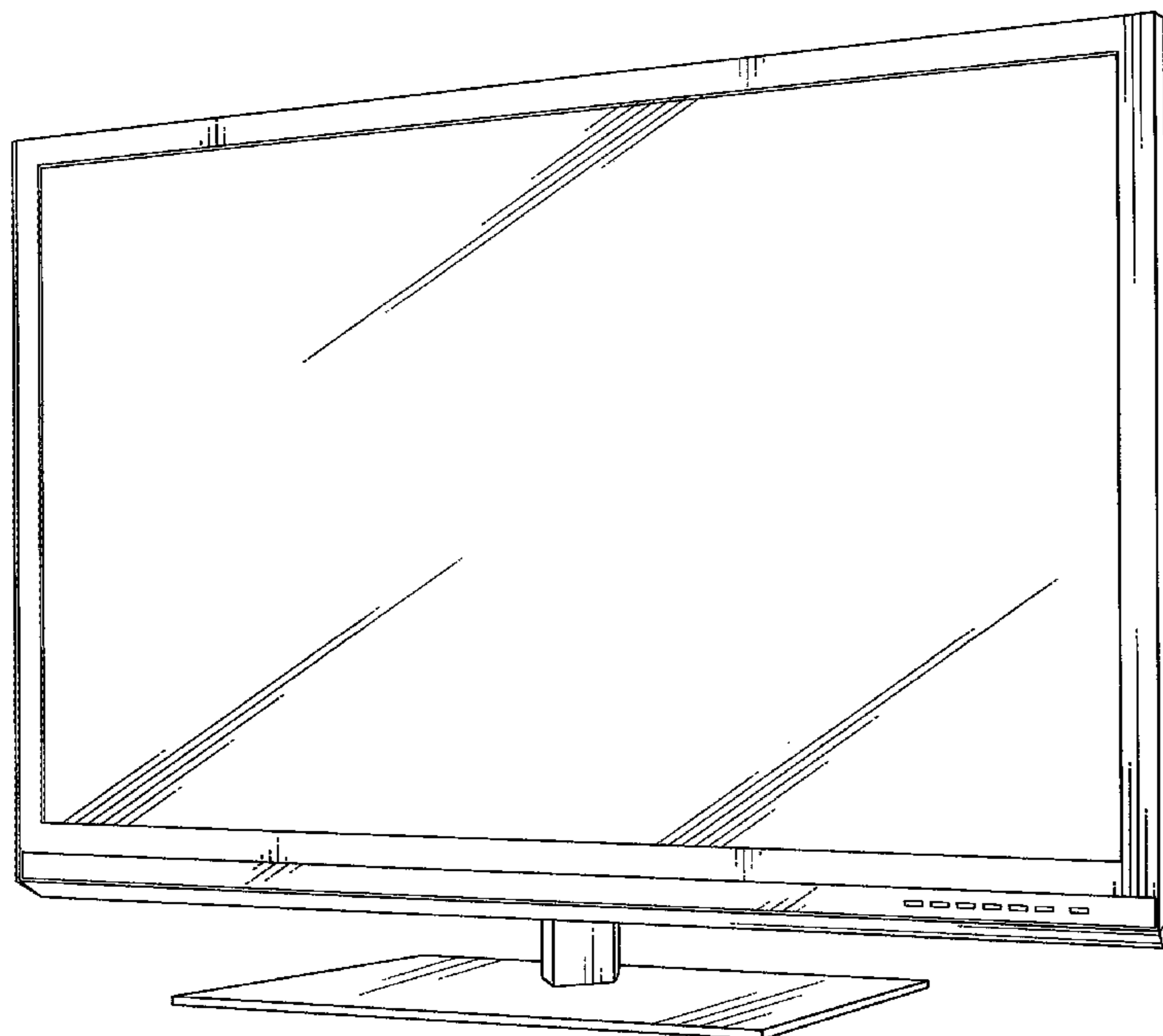
(57) **CLAIM**

The ornamental design for a television receiver, as shown and described.

DESCRIPTION

FIG. 1 is a front perspective view of a television receiver showing my new design, FIG. 2 is a rear perspective view thereof, FIG. 3 is a front elevational view thereof, FIG. 4 is a rear elevational view thereof, FIG. 5 is a top plan view thereof, FIG. 6 is a bottom plan view thereof, FIG. 7 is a right side elevational view thereof; and, FIG. 8 is a left side elevational view thereof.

1 Claim, 6 Drawing Sheets



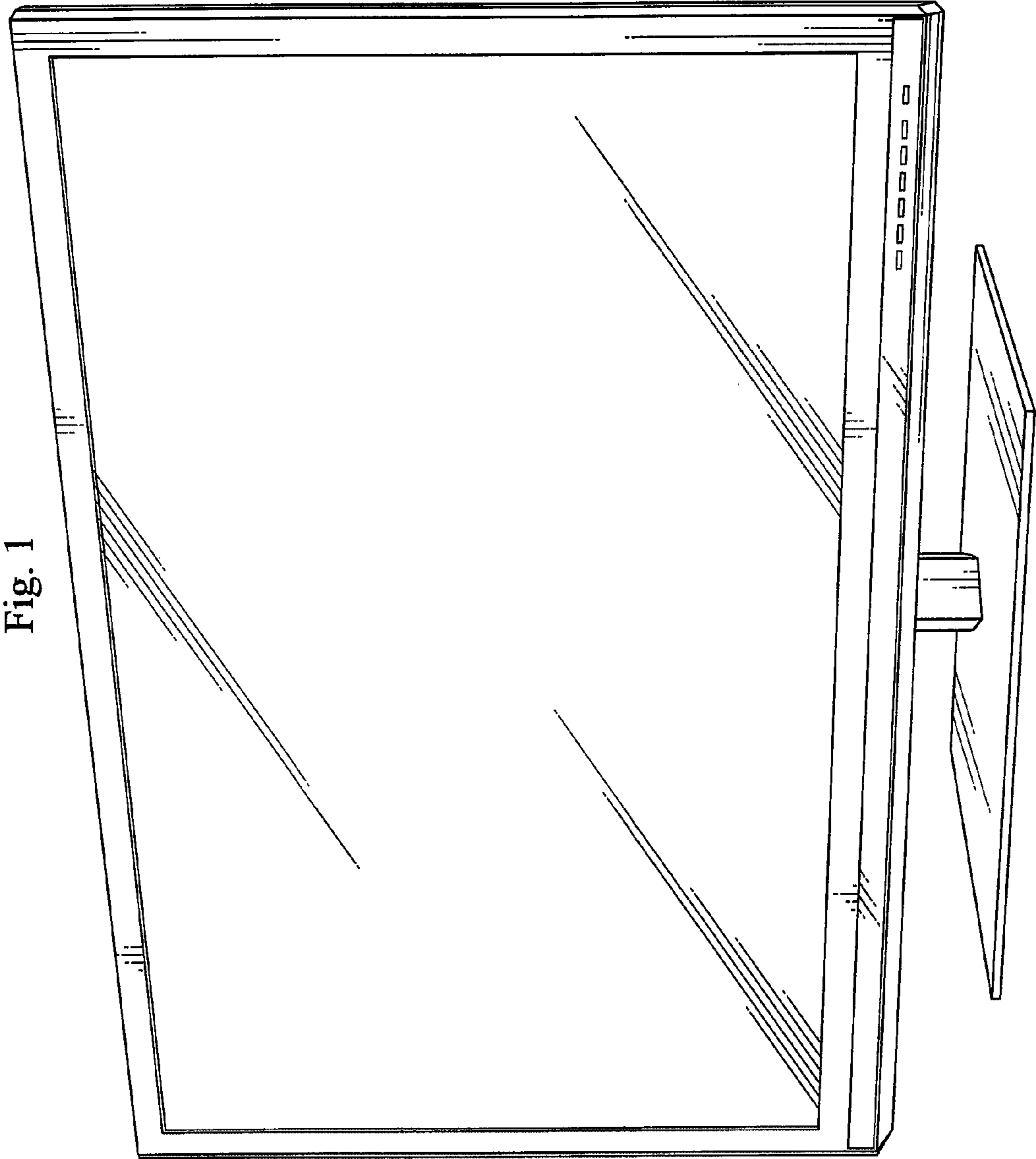


Fig. 1

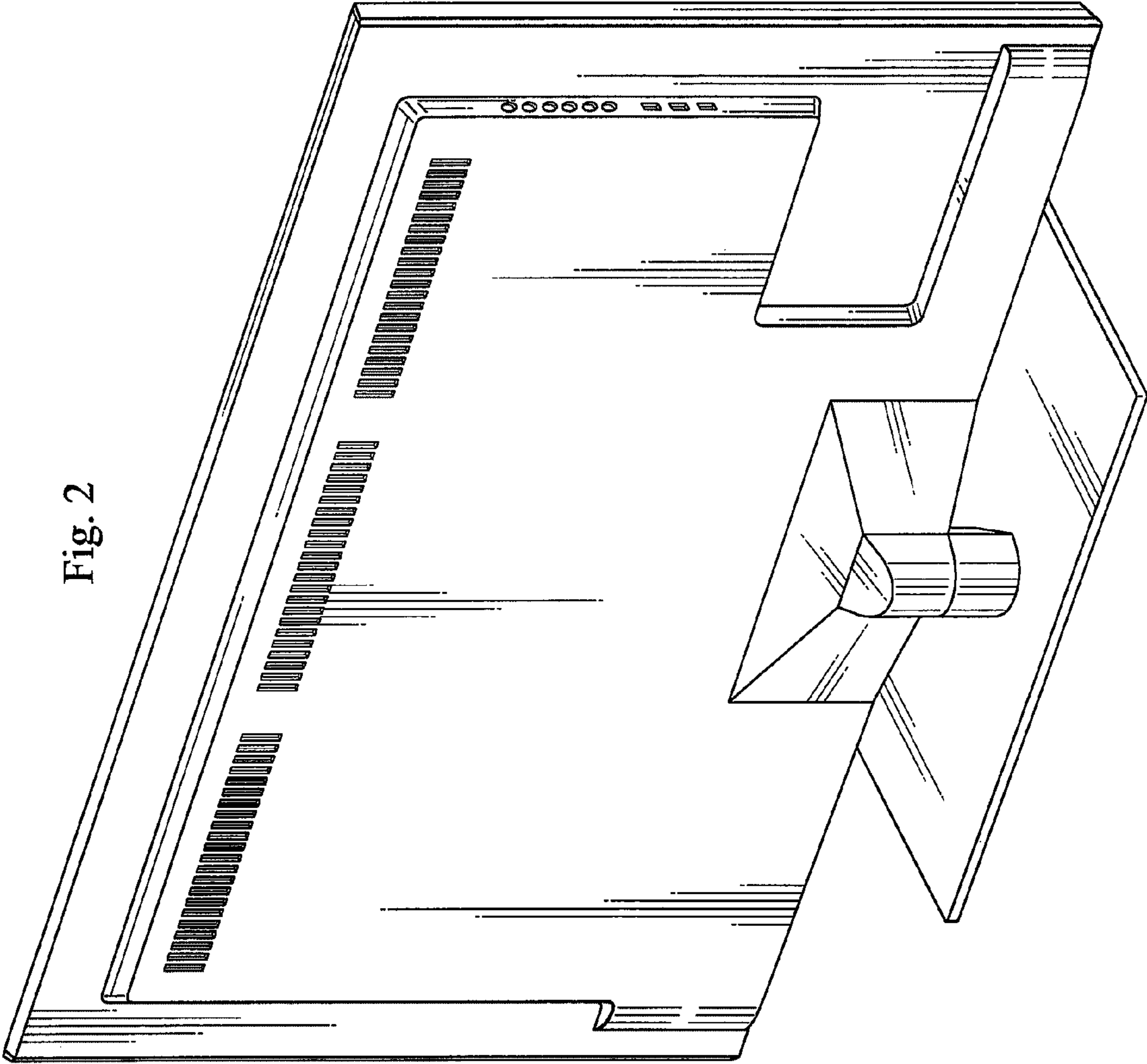


Fig. 2

Fig. 3

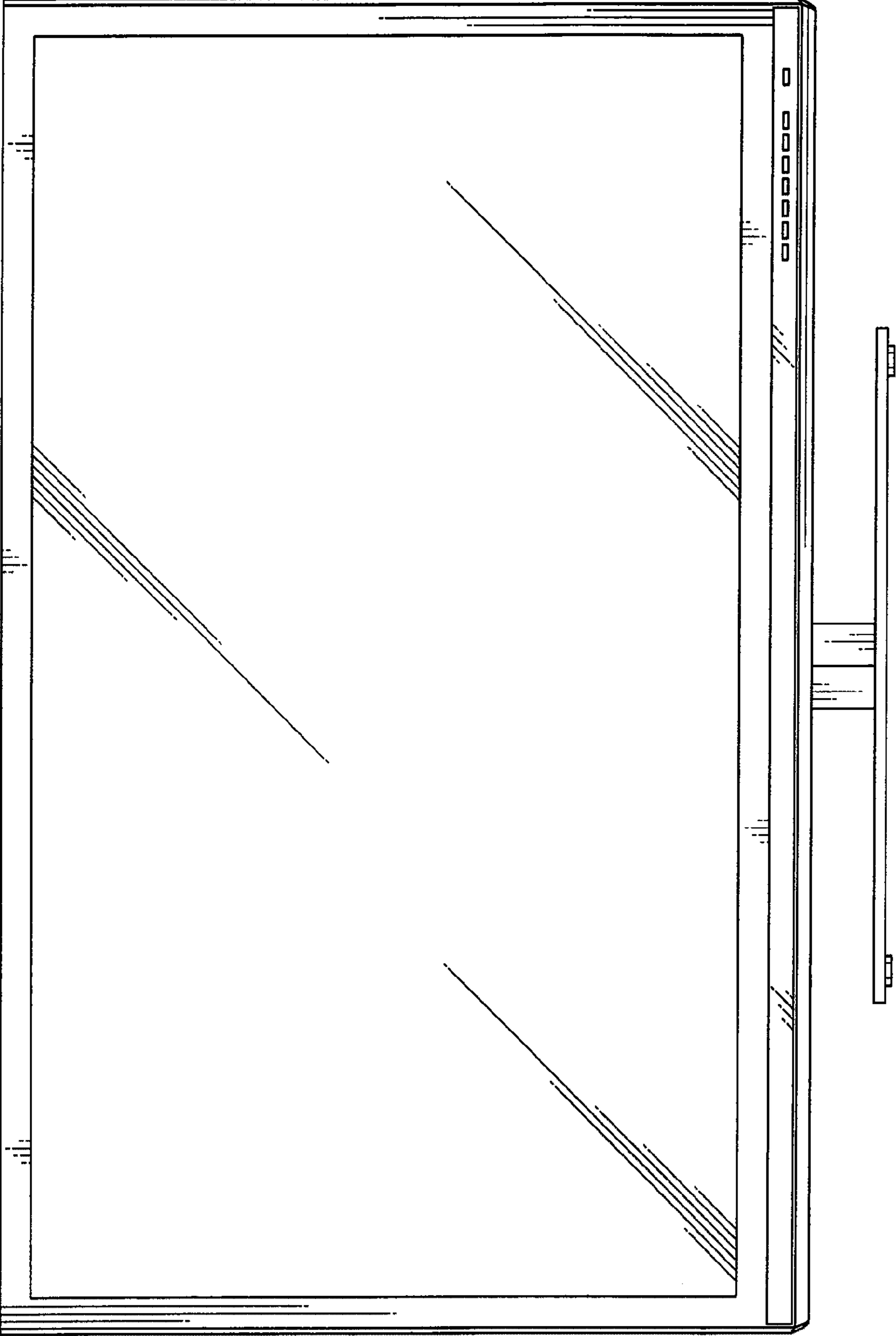


Fig. 4

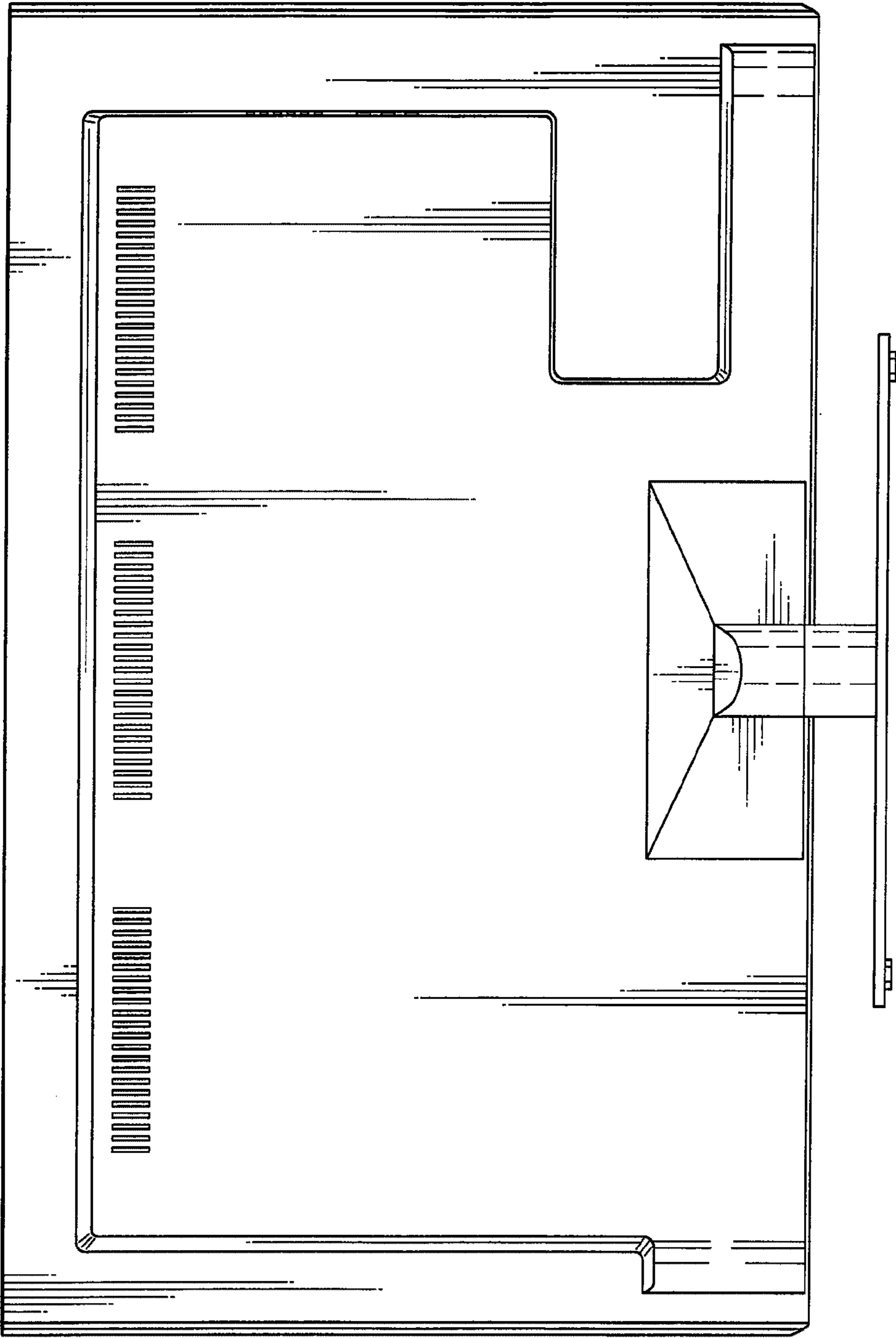


Fig. 5

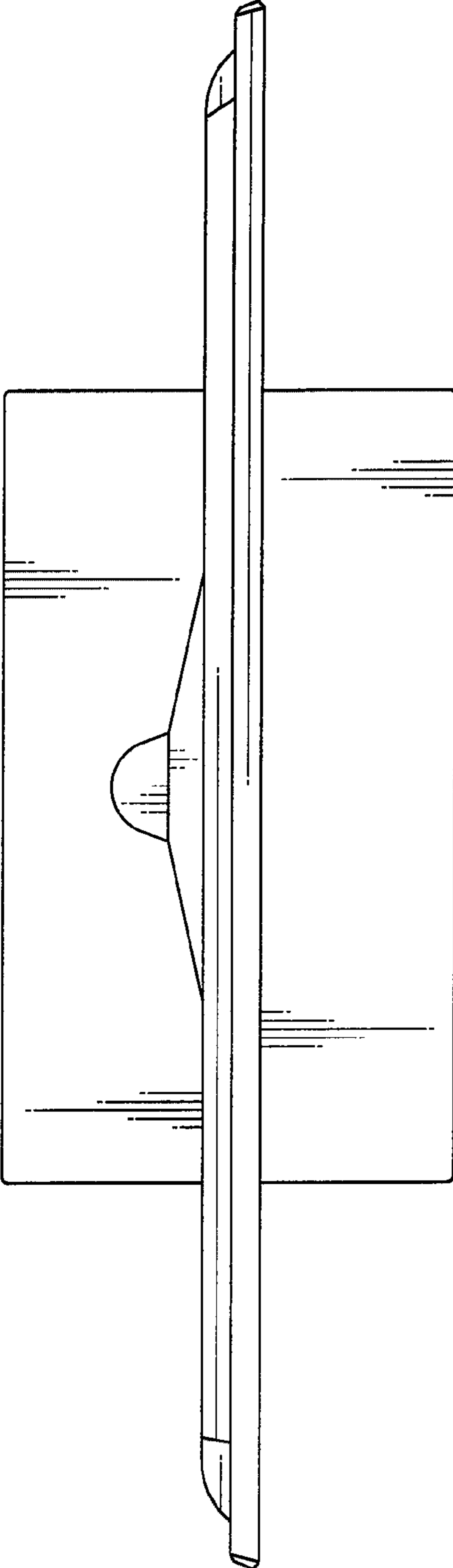


Fig. 6

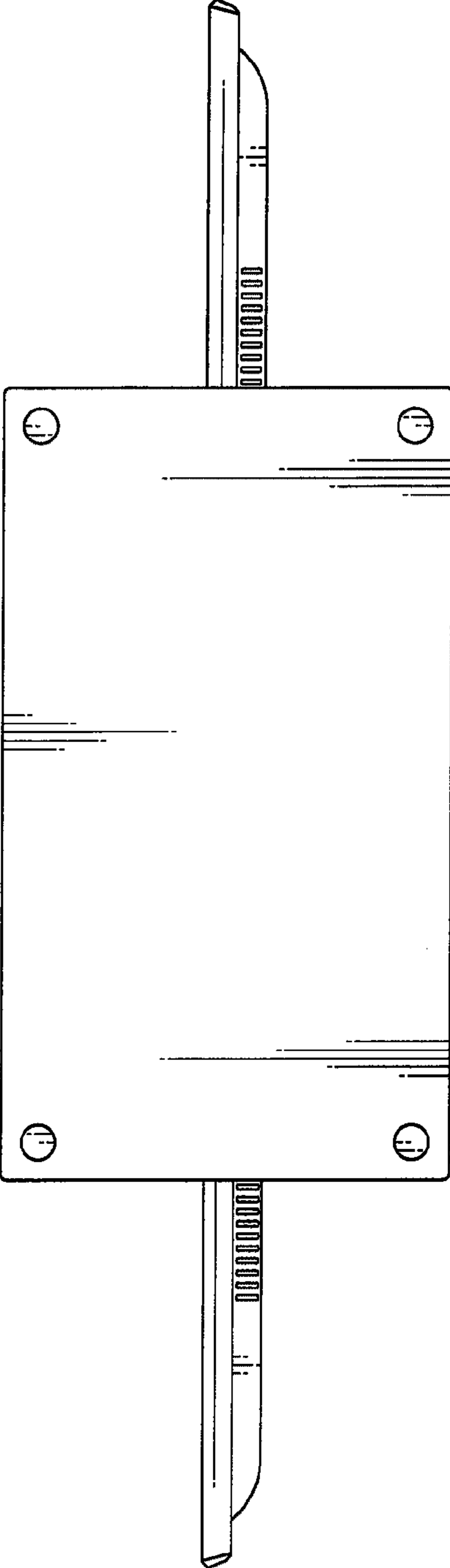


Fig. 7

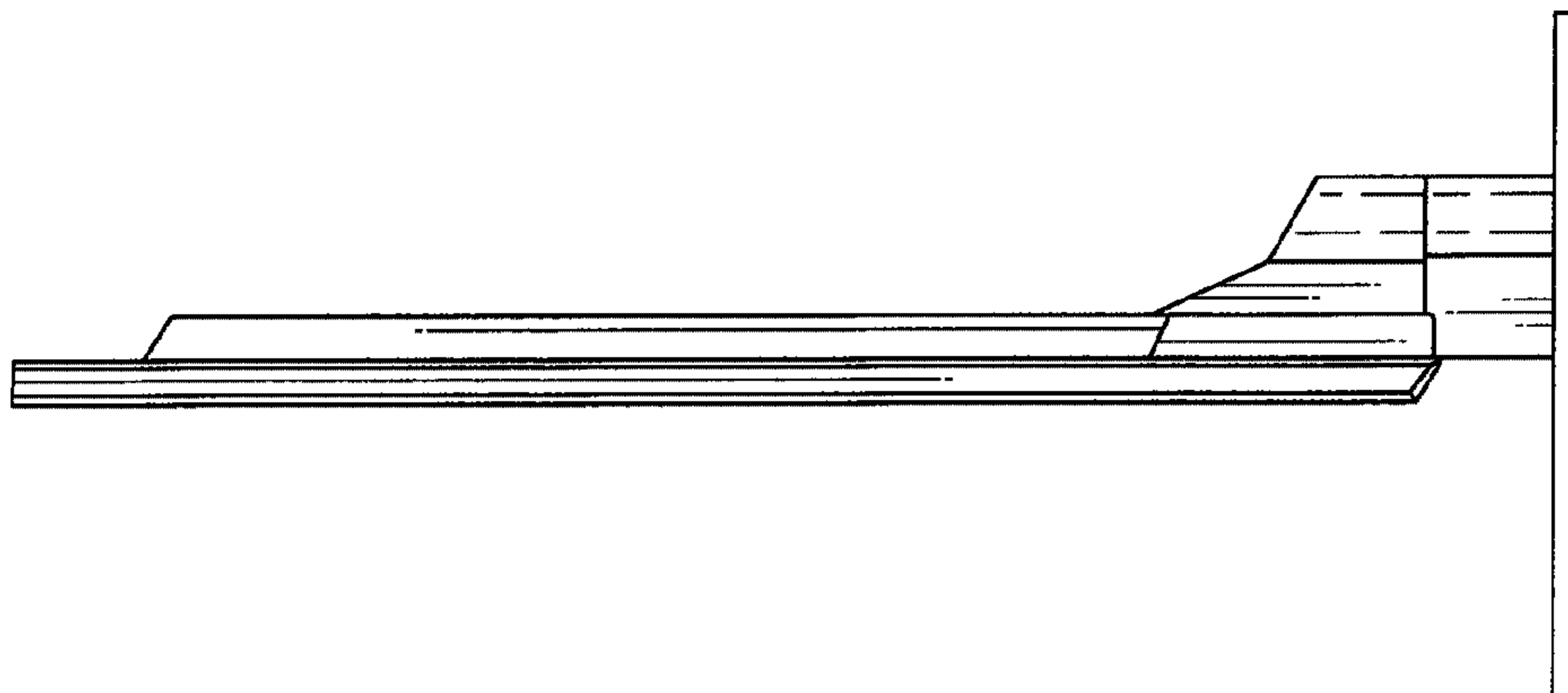


Fig. 8

