



US00D637563S

(12) **United States Design Patent**
Reed

(10) **Patent No.:** **US D637,563 S**

(45) **Date of Patent:** **** May 10, 2011**

(54) **LINEAR LED MODULE**

(75) Inventor: **Christopher R. Reed**, San Jose, CA (US)

(73) Assignee: **Xicato, Inc.**, San Jose, CA (US)

(**) Term: **14 Years**

(21) Appl. No.: **29/356,594**

(22) Filed: **Feb. 28, 2010**

(51) **LOC (9) Cl.** **13-03**

(52) **U.S. Cl.** **D13/180**

(58) **Field of Classification Search** D13/180;
D26/2; 257/79, 80, 81, 88, 89, 95, 98, 99,
257/100, E33.058; 313/483, 498, 500; 362/555,
362/800

See application file for complete search history.

(56) **References Cited**

U.S. PATENT DOCUMENTS

D542,239 S *	5/2007	Egawa	D13/180
D598,873 S *	8/2009	Tseng	D13/180
D602,451 S *	10/2009	Gielen	D13/180
7,600,896 B2 *	10/2009	Wang	362/249.02
2005/0286265 A1 *	12/2005	Zampini et al.	362/612

* cited by examiner

Primary Examiner — Selina Sikder

(74) *Attorney, Agent, or Firm* — Silicon Valley Patent Group LLP

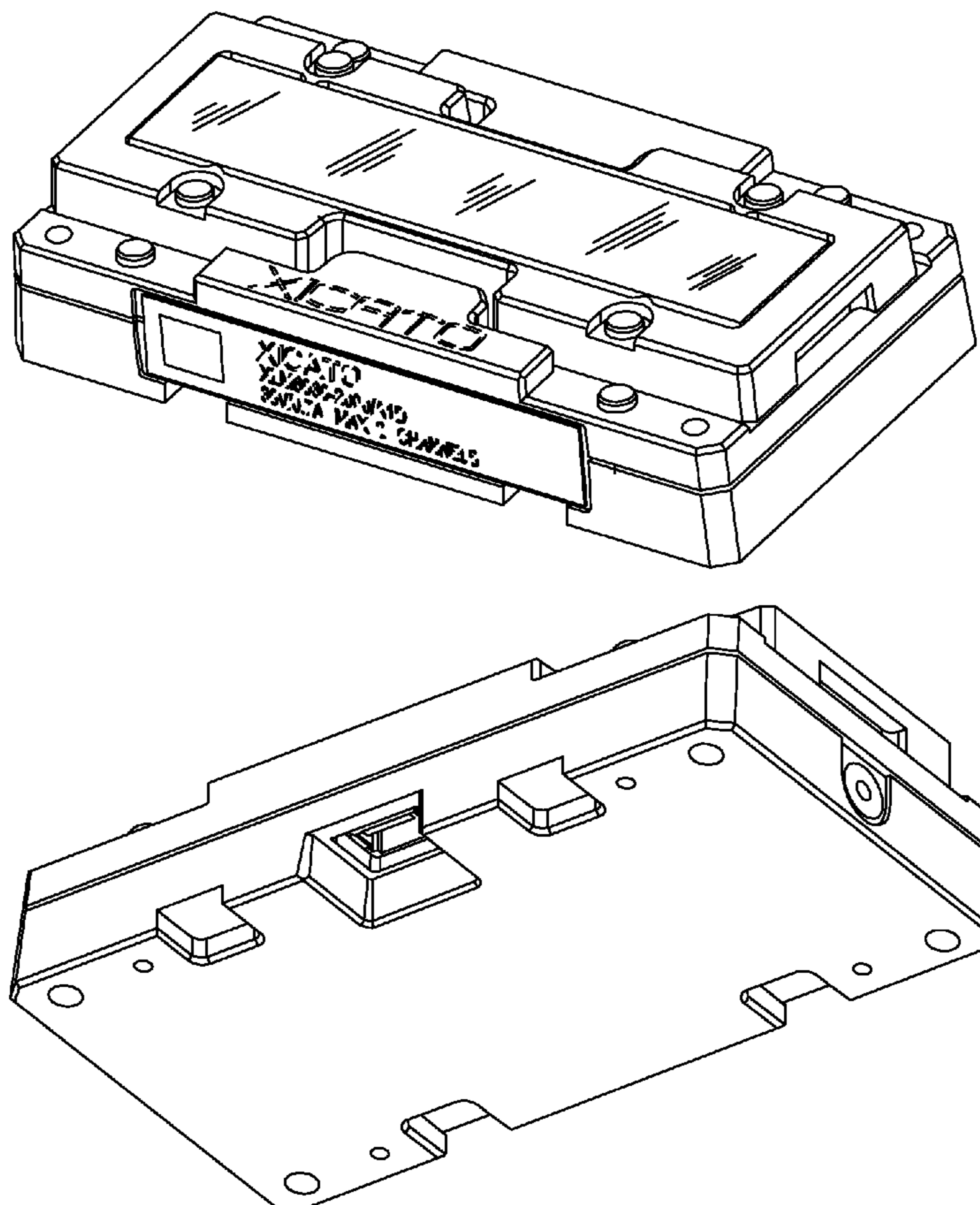
(57) **CLAIM**

The ornamental design for a linear LED module, as shown and described.

DESCRIPTION

FIG. 1 is a top front perspective view of an LED module showing my new design;
FIG. 2 is a bottom back perspective view thereof;
FIG. 3 is a top right front perspective view thereof;
FIG. 4 is a bottom left back perspective view thereof;
FIG. 5 is a left elevational view thereof;
FIG. 6 is a right elevational view thereof;
FIG. 7 is a front elevational view thereof;
FIG. 8 is a back elevational view thereof;
FIG. 9 is a top plan view thereof; and,
FIG. 10 is a bottom plan view thereof.
The broken lines are shown for illustrative purposes only form no part of the claimed design.

1 Claim, 5 Drawing Sheets



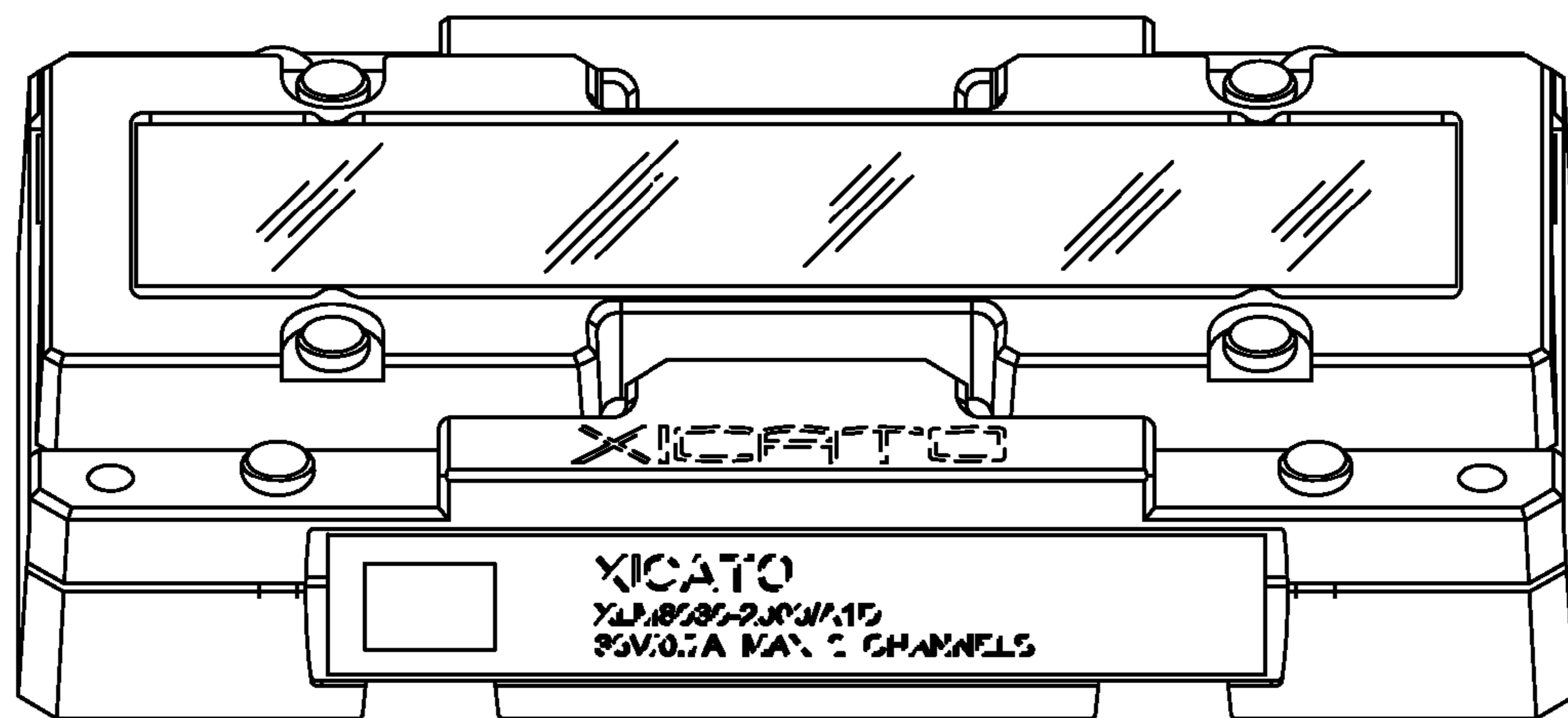


FIG. 1

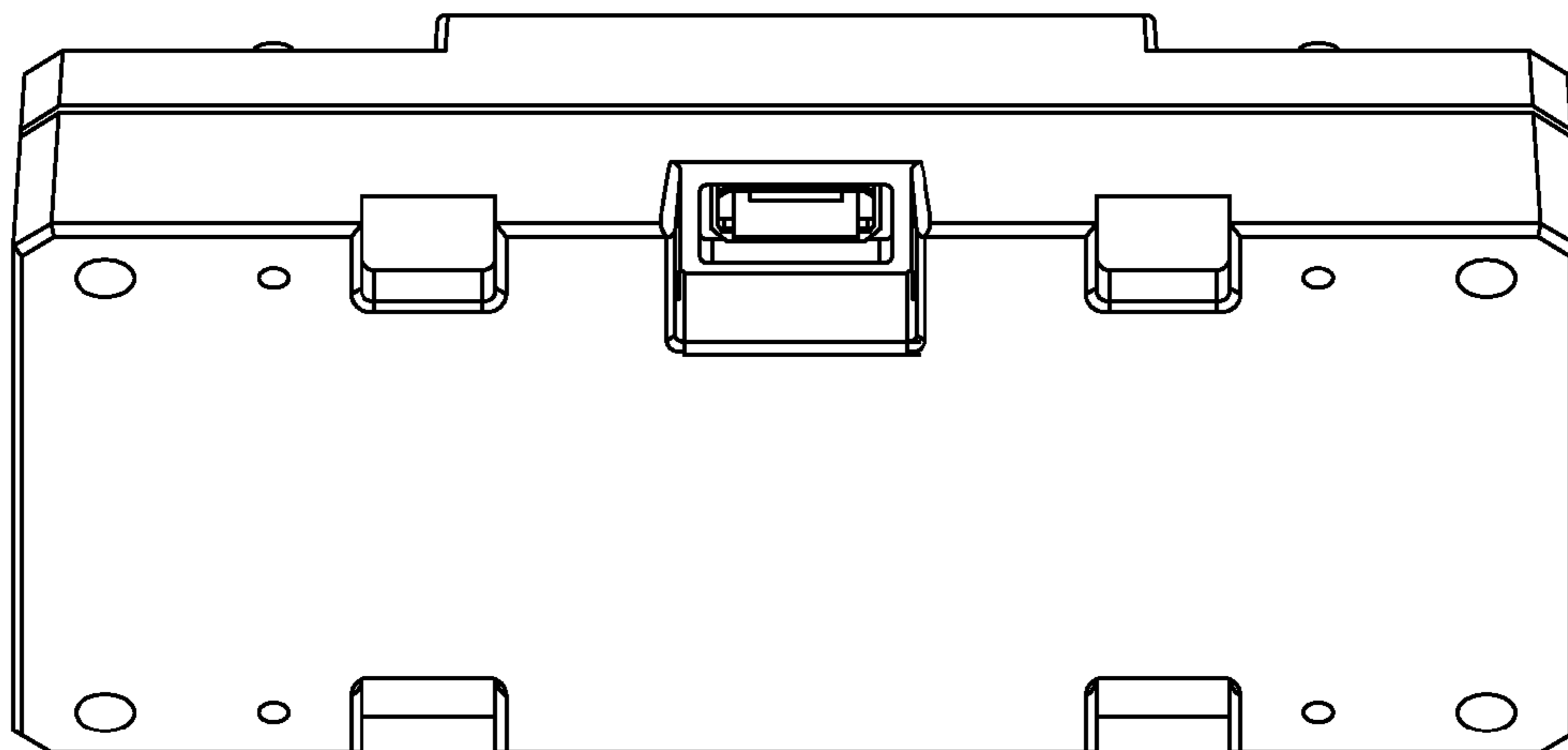


FIG. 2

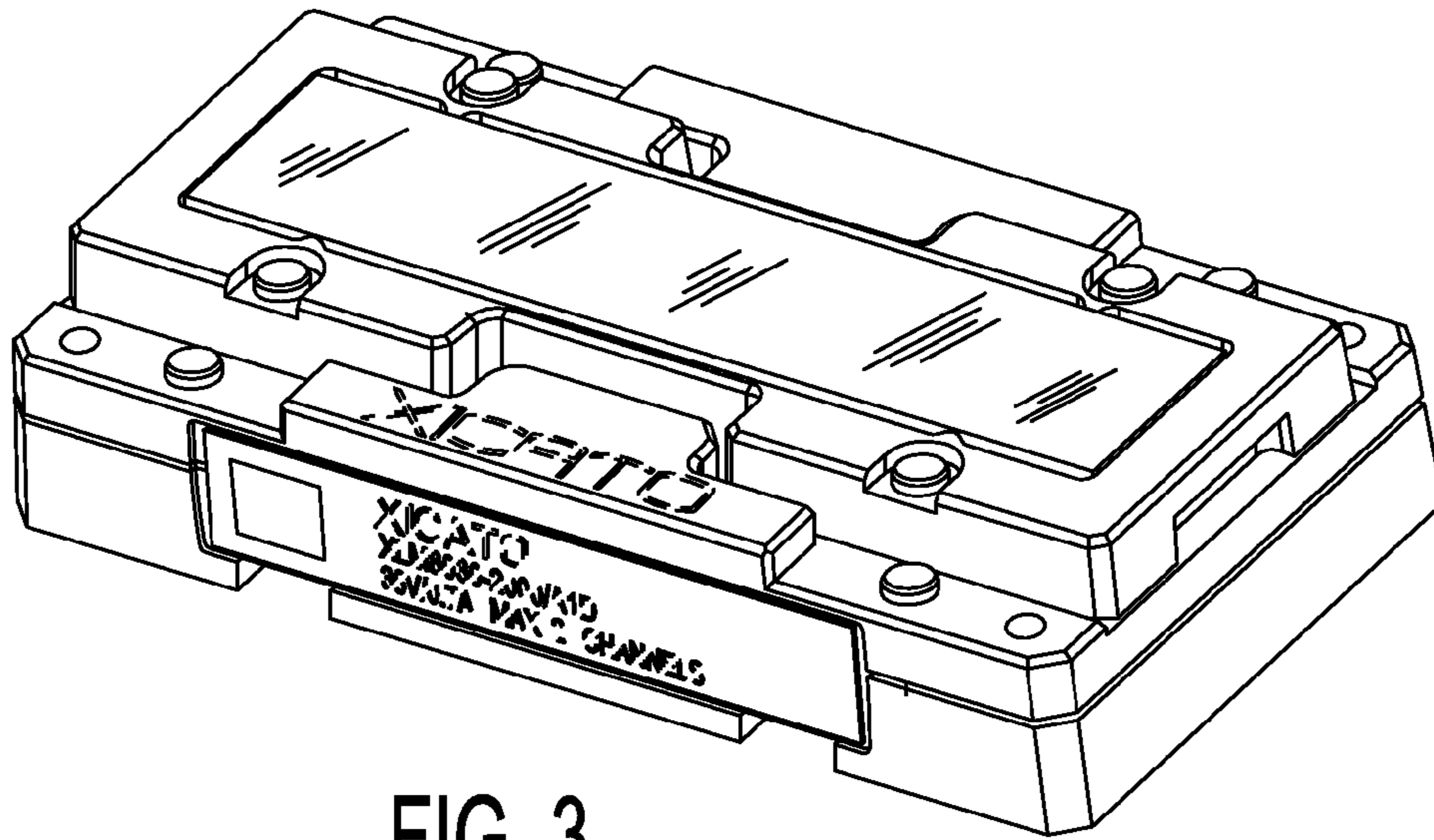


FIG. 3

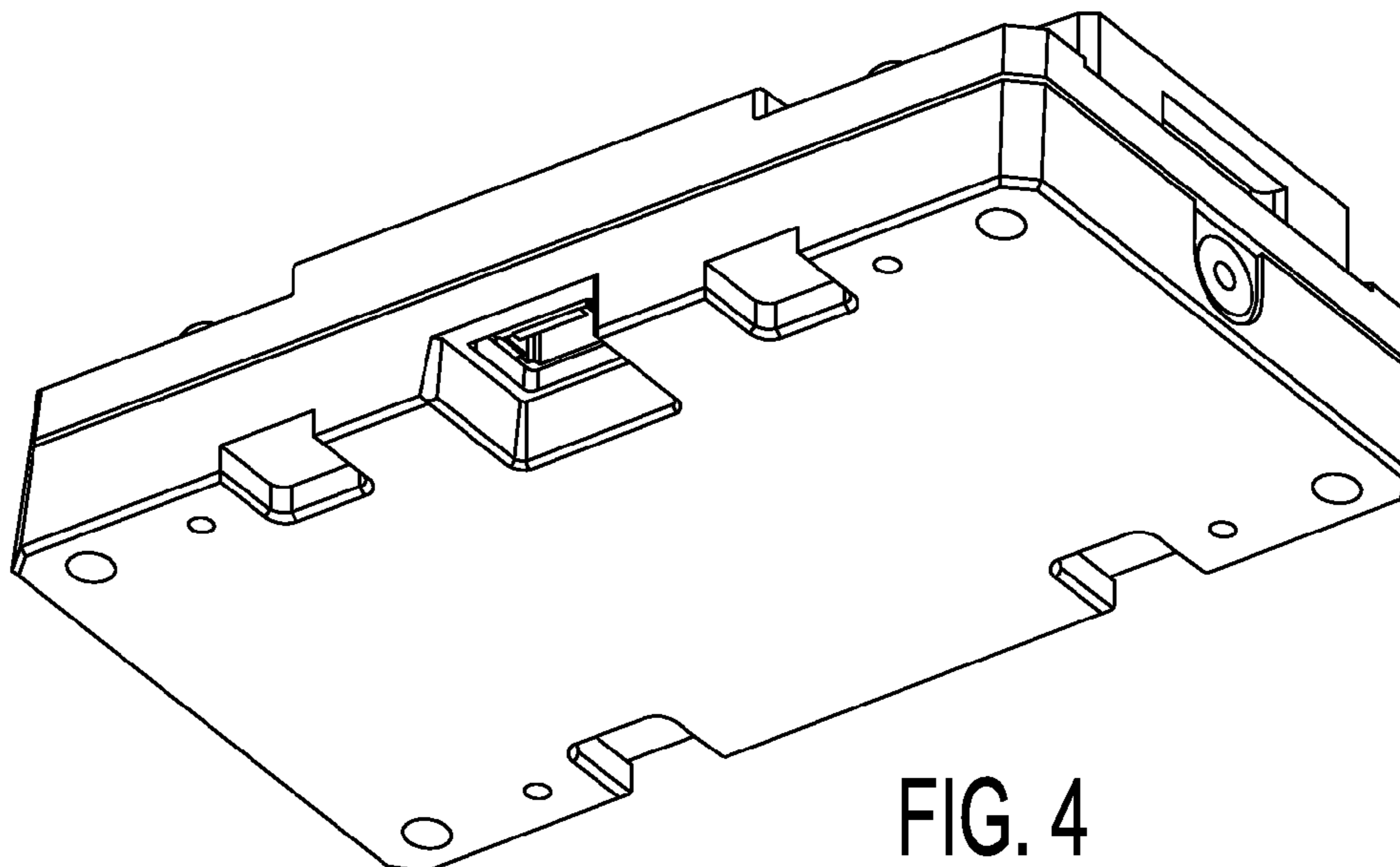


FIG. 4

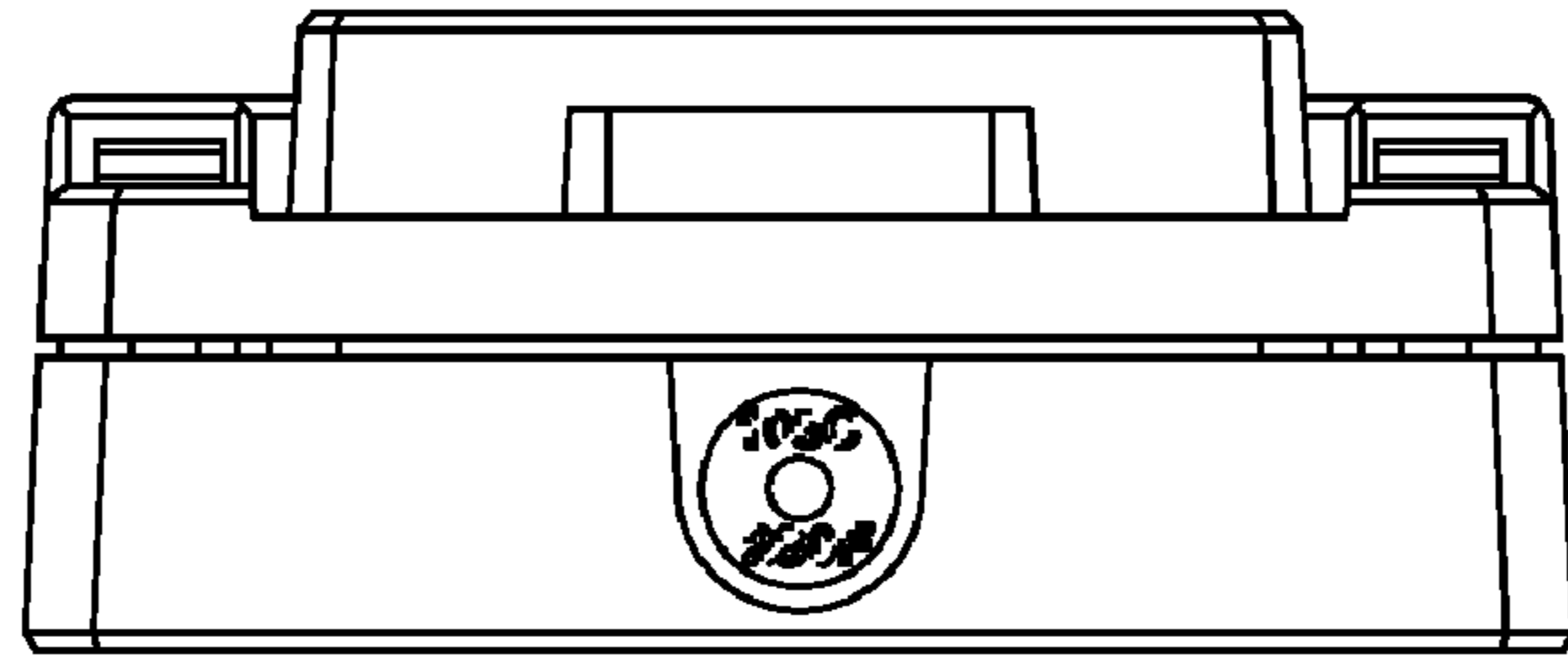


FIG. 5

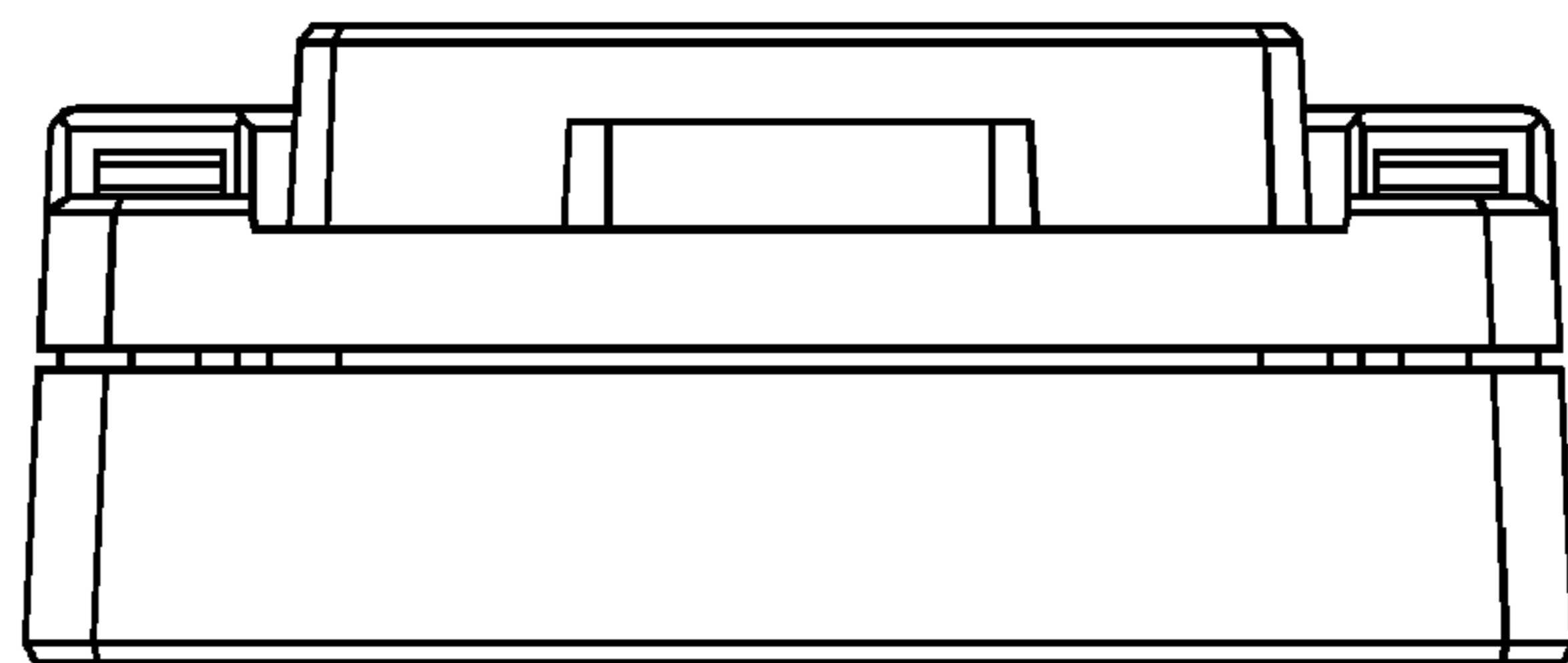


FIG. 6

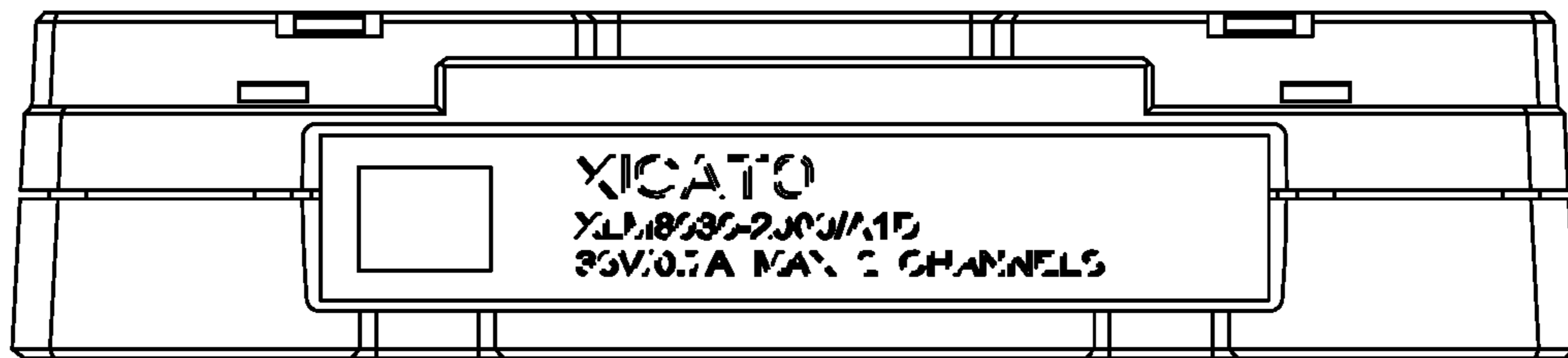


FIG. 7

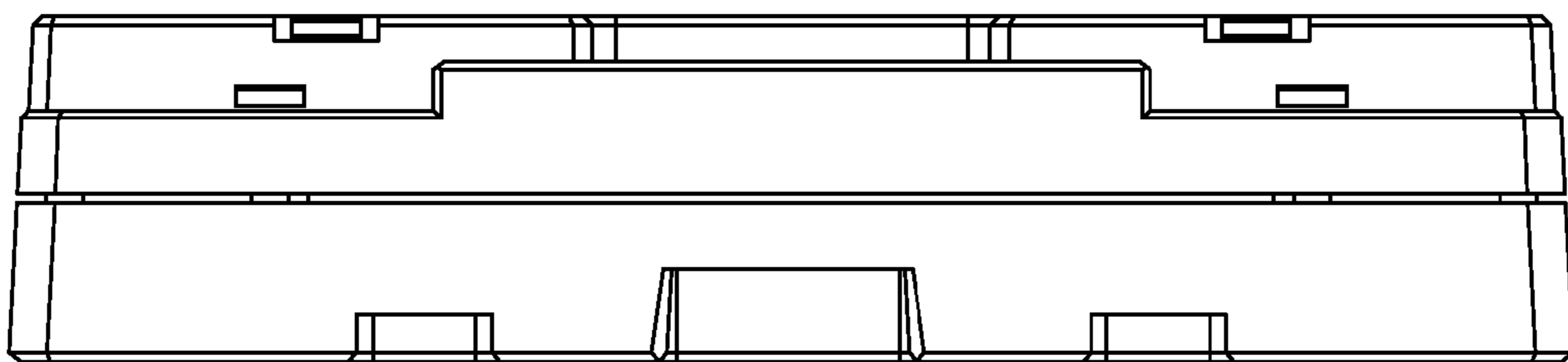


FIG. 8

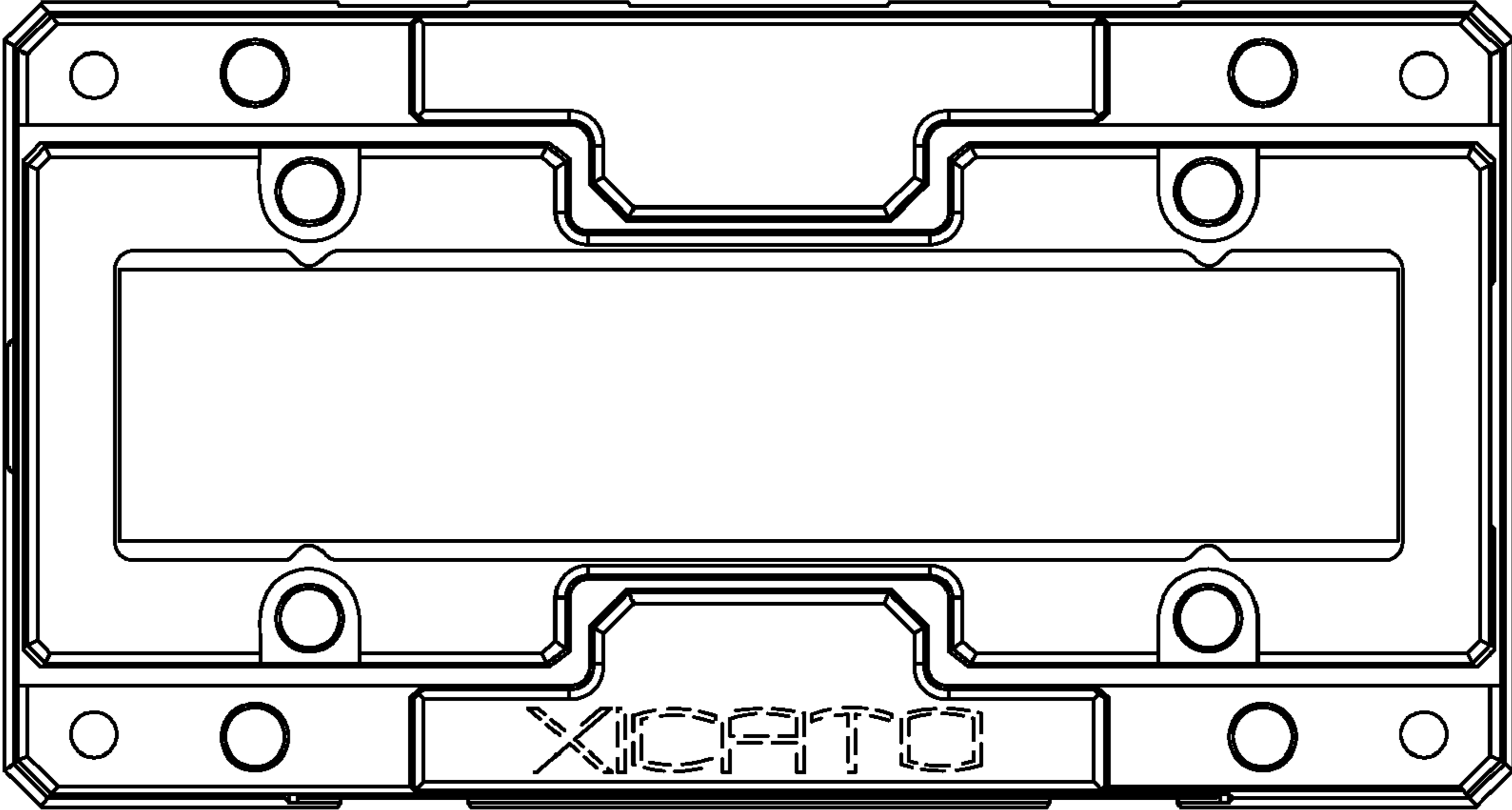


FIG. 9

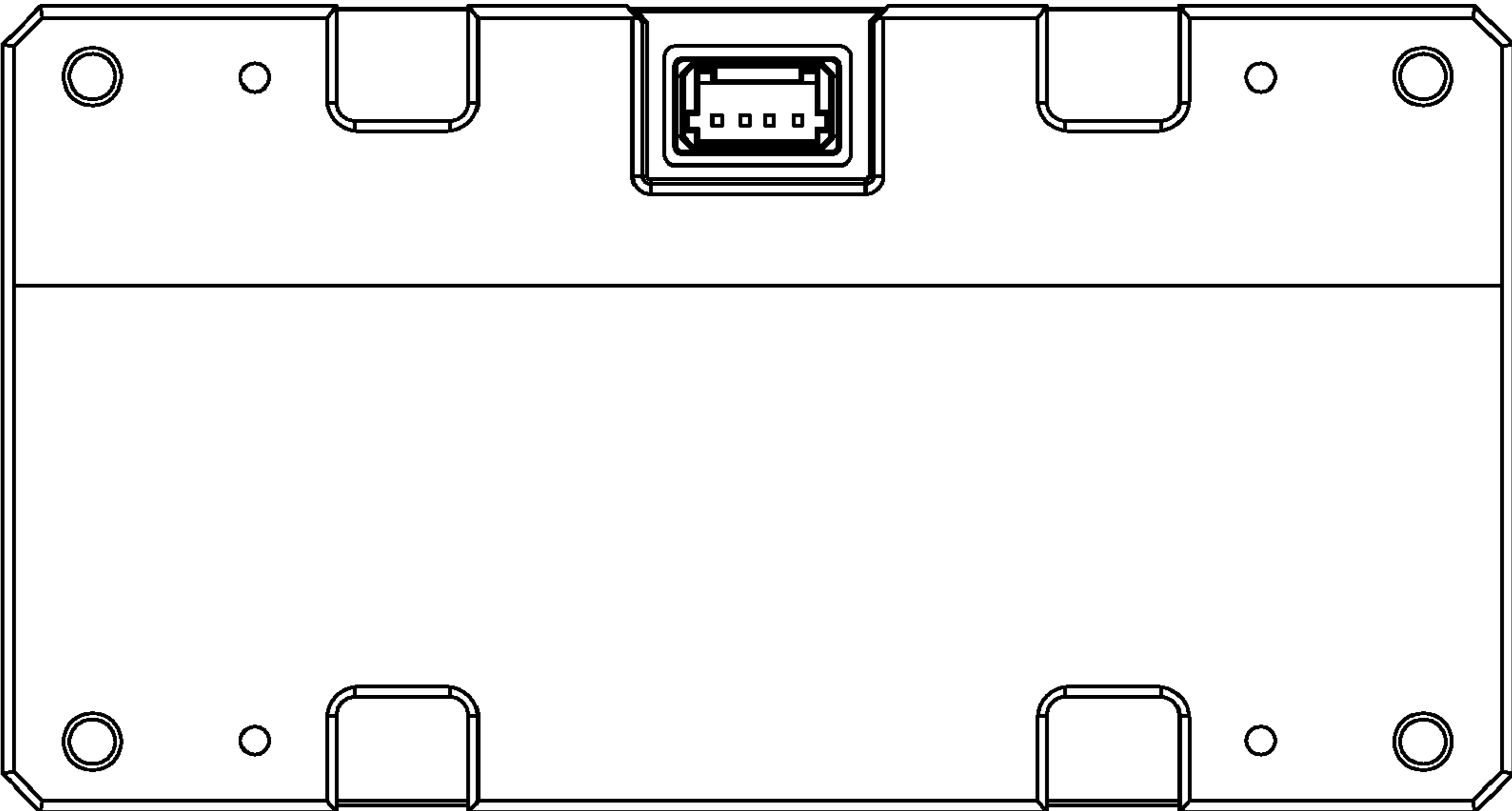


FIG. 10