



US00D637562S

(12) **United States Design Patent**  
**Worm et al.**

(10) **Patent No.:** **US D637,562 S**

(45) **Date of Patent:** **\*\* May 10, 2011**

(54) **MOTOR CONTROLLER FOR A  
COMPRESSOR**

(75) Inventors: **Olaf Worm**, Tarp (DE); **Dirk Homuth**,  
Ina-Carstensen-Strasse (DE)

(73) Assignee: **Danfoss A/S**, Nordborg (DK)

(\*\*) Term: **14 Years**

(21) Appl. No.: **29/338,235**

(22) Filed: **Jun. 8, 2009**

(30) **Foreign Application Priority Data**

Dec. 23, 2008 (CN) ..... 2008 3 0346213

(51) **LOC (9) Cl.** ..... **13-03**

(52) **U.S. Cl.** ..... **D13/162**

(58) **Field of Classification Search** ..... D13/123,  
D13/124, 158, 159, 162.1, 162, 164, 173,  
D13/177, 184, 199; 361/686, 687, 703, 725;  
D14/100, 107, 114, 188; D15/9

See application file for complete search history.

(56) **References Cited**

U.S. PATENT DOCUMENTS

D366,867 S \* 2/1996 Kurokawa et al. .... D13/162  
D379,174 S \* 5/1997 Kornblum et al. .... D13/123  
D479,219 S \* 9/2003 Abe et al. .... D14/188  
D556,218 S \* 11/2007 Hansen ..... D15/9

\* cited by examiner

*Primary Examiner* — Thomas J Johannes

(74) *Attorney, Agent, or Firm* — McCormick, Paulding &  
Huber LLP

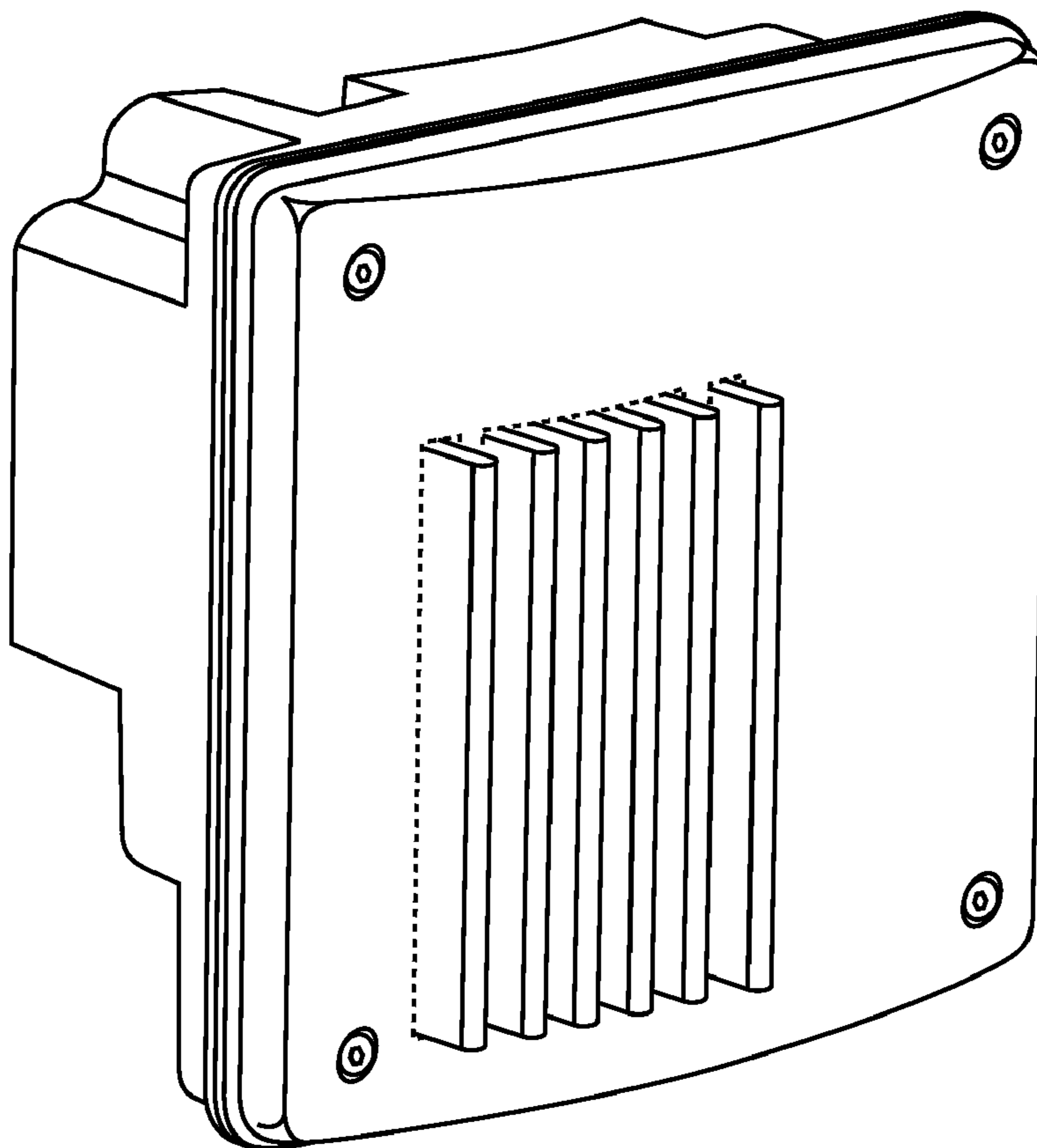
(57) **CLAIM**

The ornamental design for a motor controller for a compressor, substantially as shown and described.

**DESCRIPTION**

FIG. 1 is a front view of a motor controller for a compressor showing our new design;  
FIG. 2 is a rear view thereof;  
FIG. 3 is a left-hand side view thereof;  
FIG. 4 is a right-hand side view thereof;  
FIG. 5 is a top view thereof;  
FIG. 6 is a bottom view thereof; and,  
FIG. 7 is a front, left-hand side perspective view thereof.  
The broken line portion of the figure drawings is included to show unclaimed subject matter only and forms no part of the claimed design.

**1 Claim, 4 Drawing Sheets**



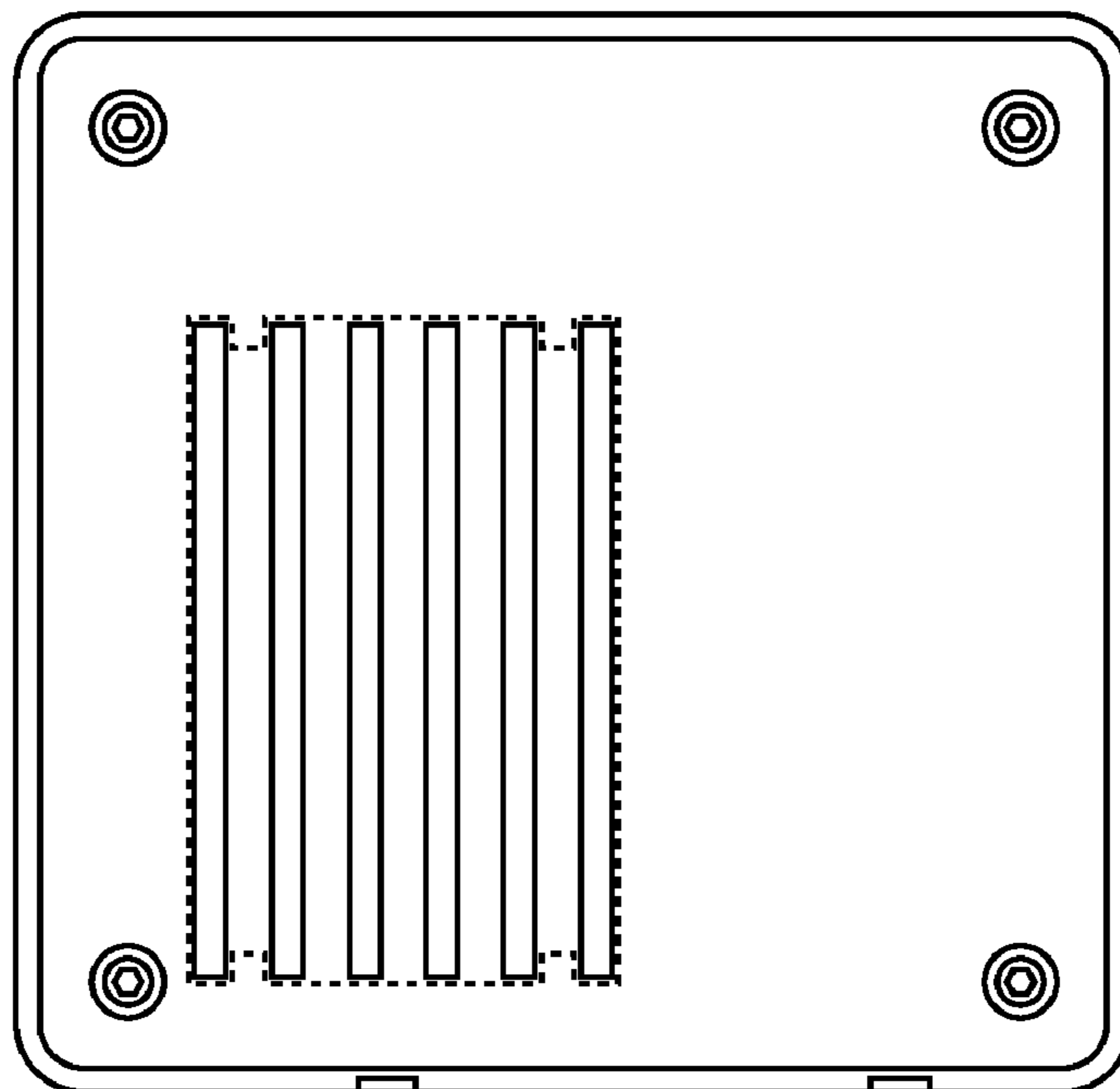


FIG. 1

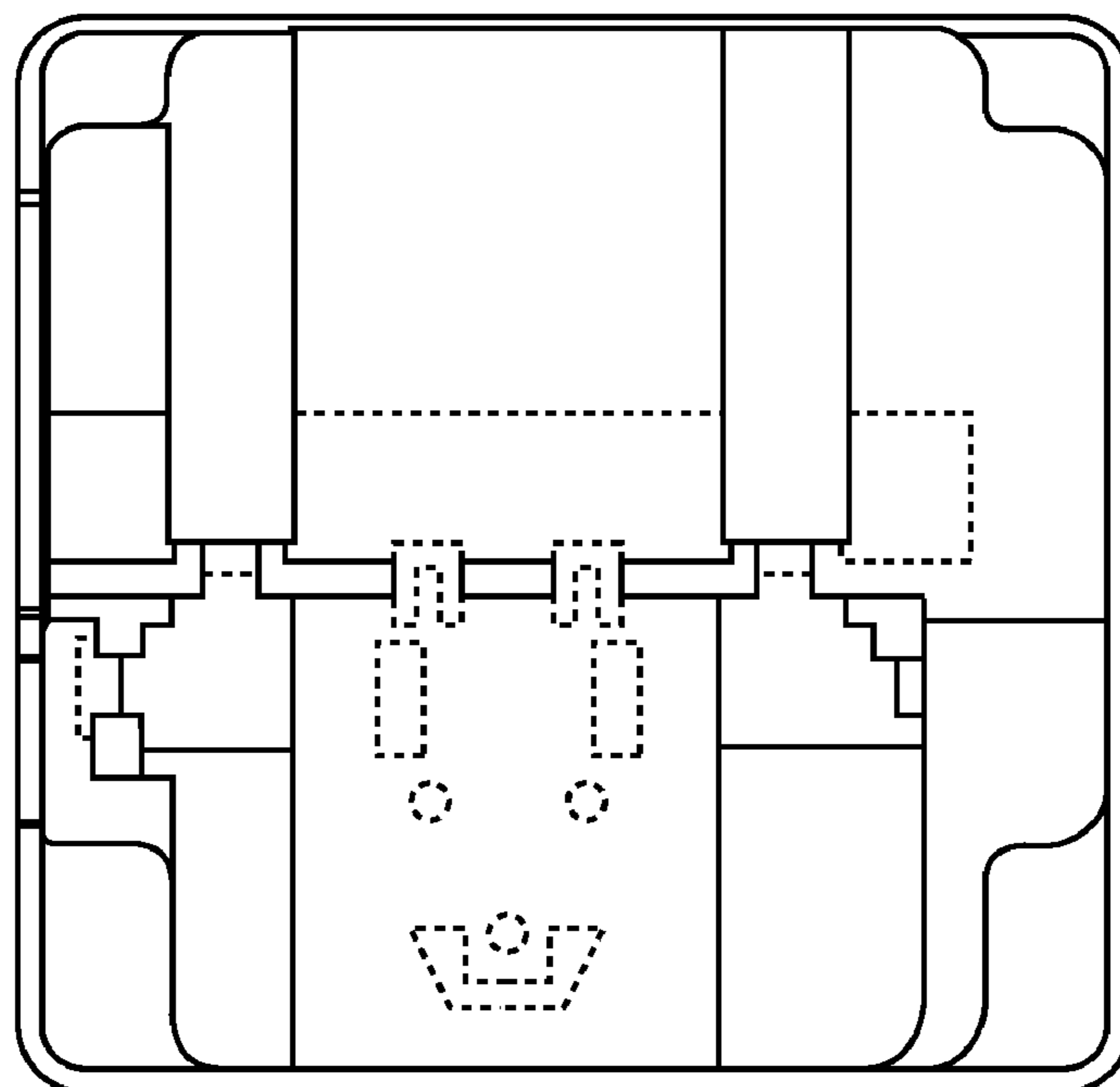


FIG. 2

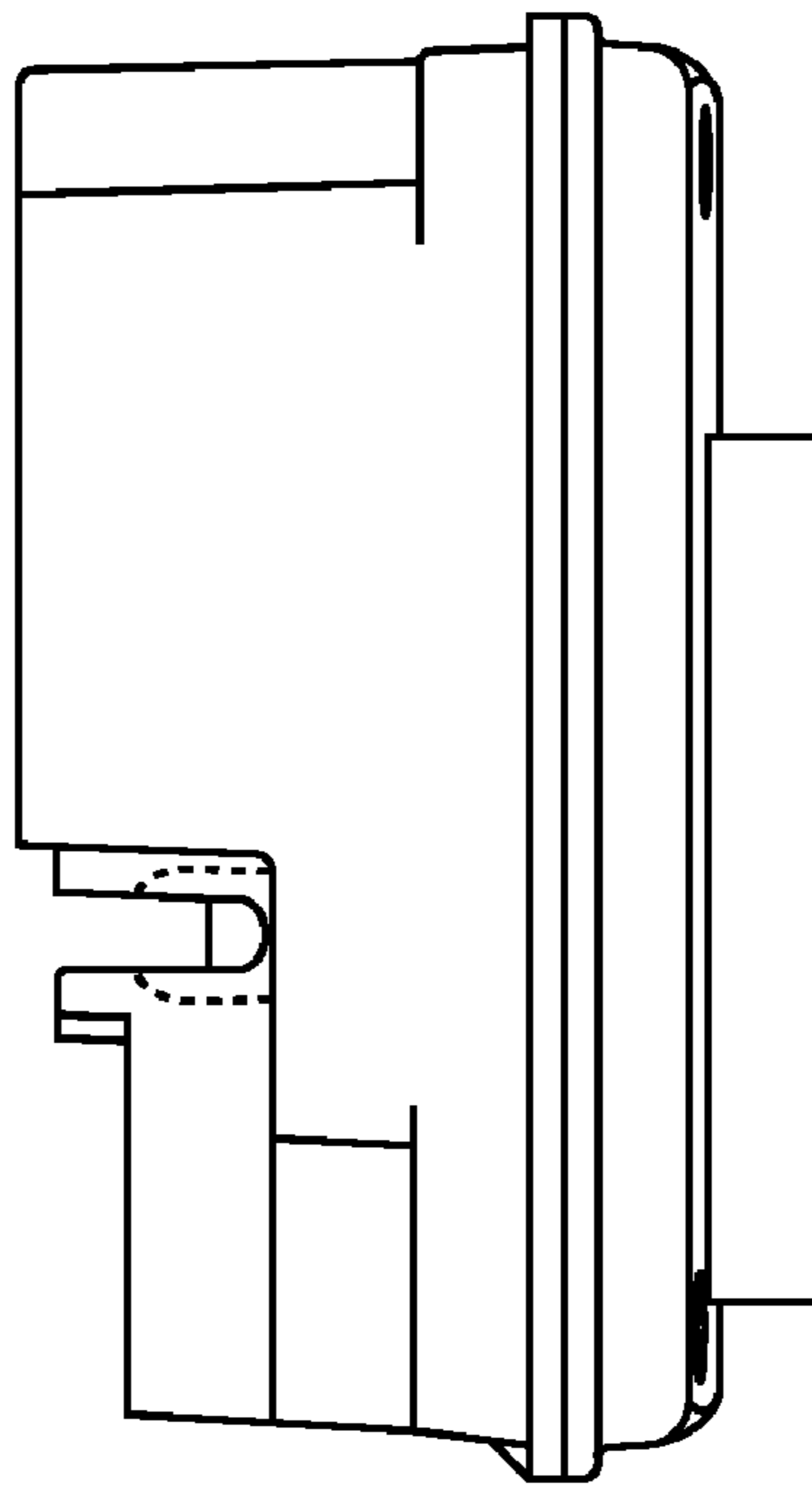


FIG. 3

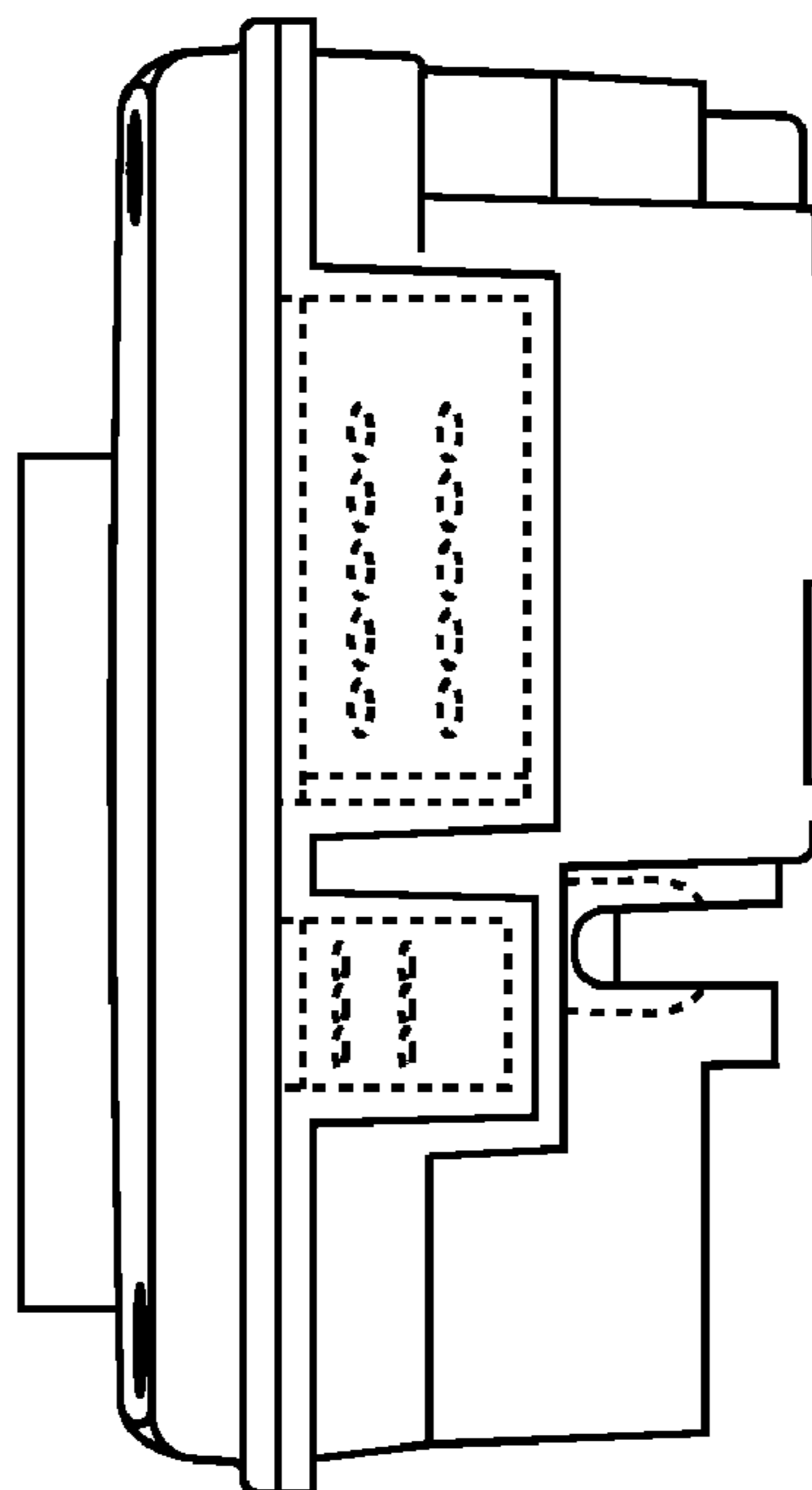


FIG. 4

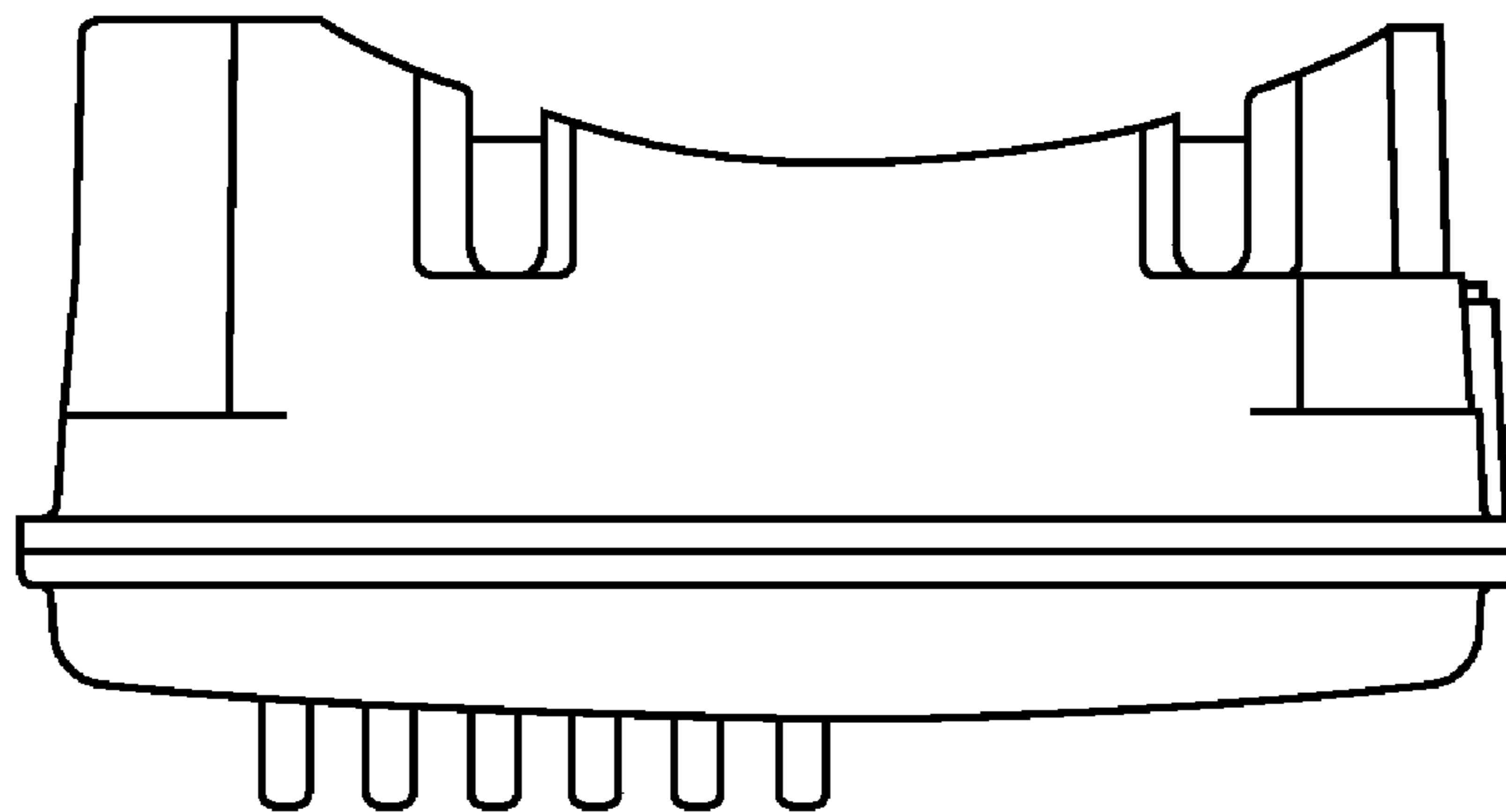


FIG. 5

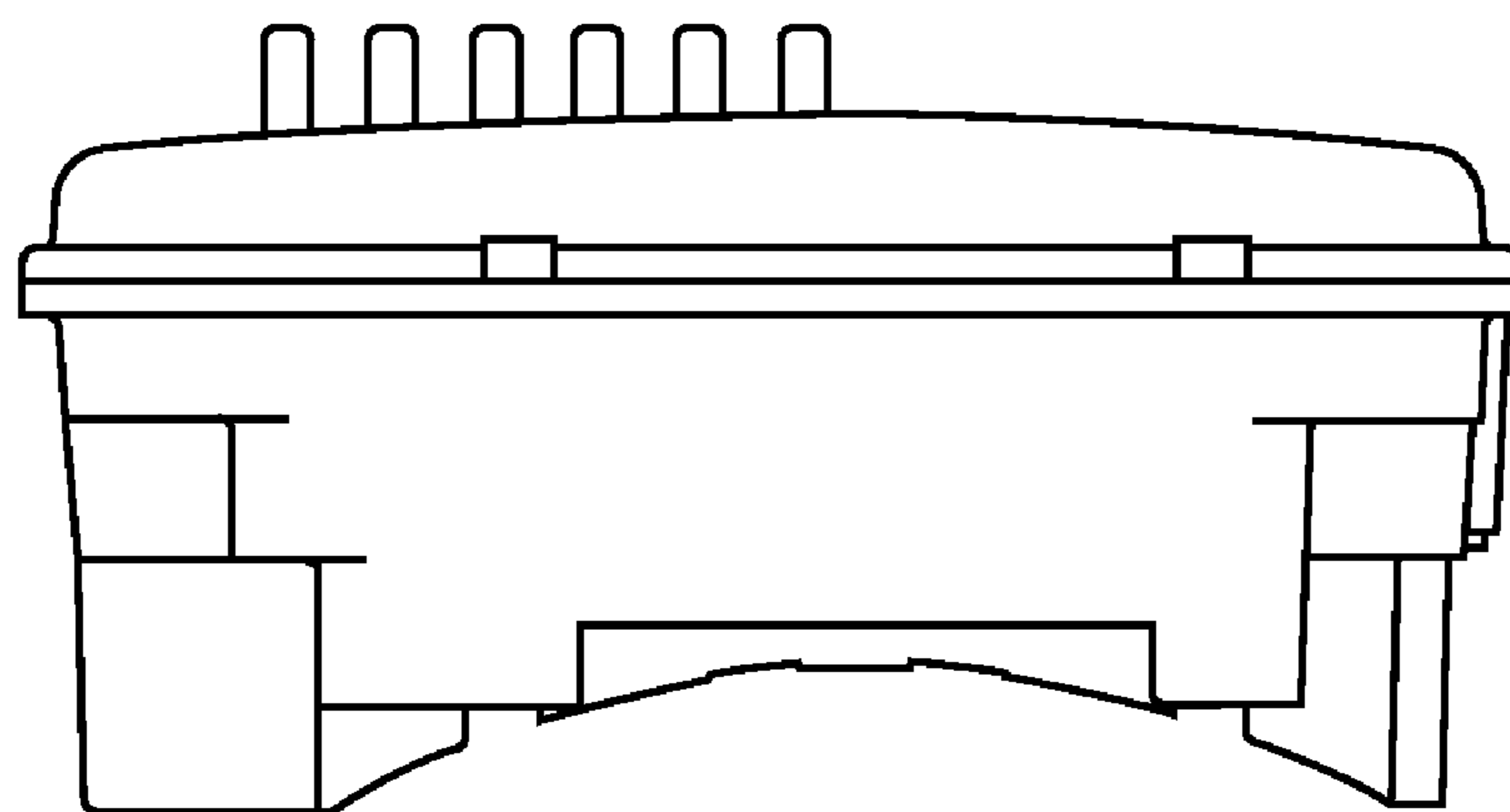


FIG. 6

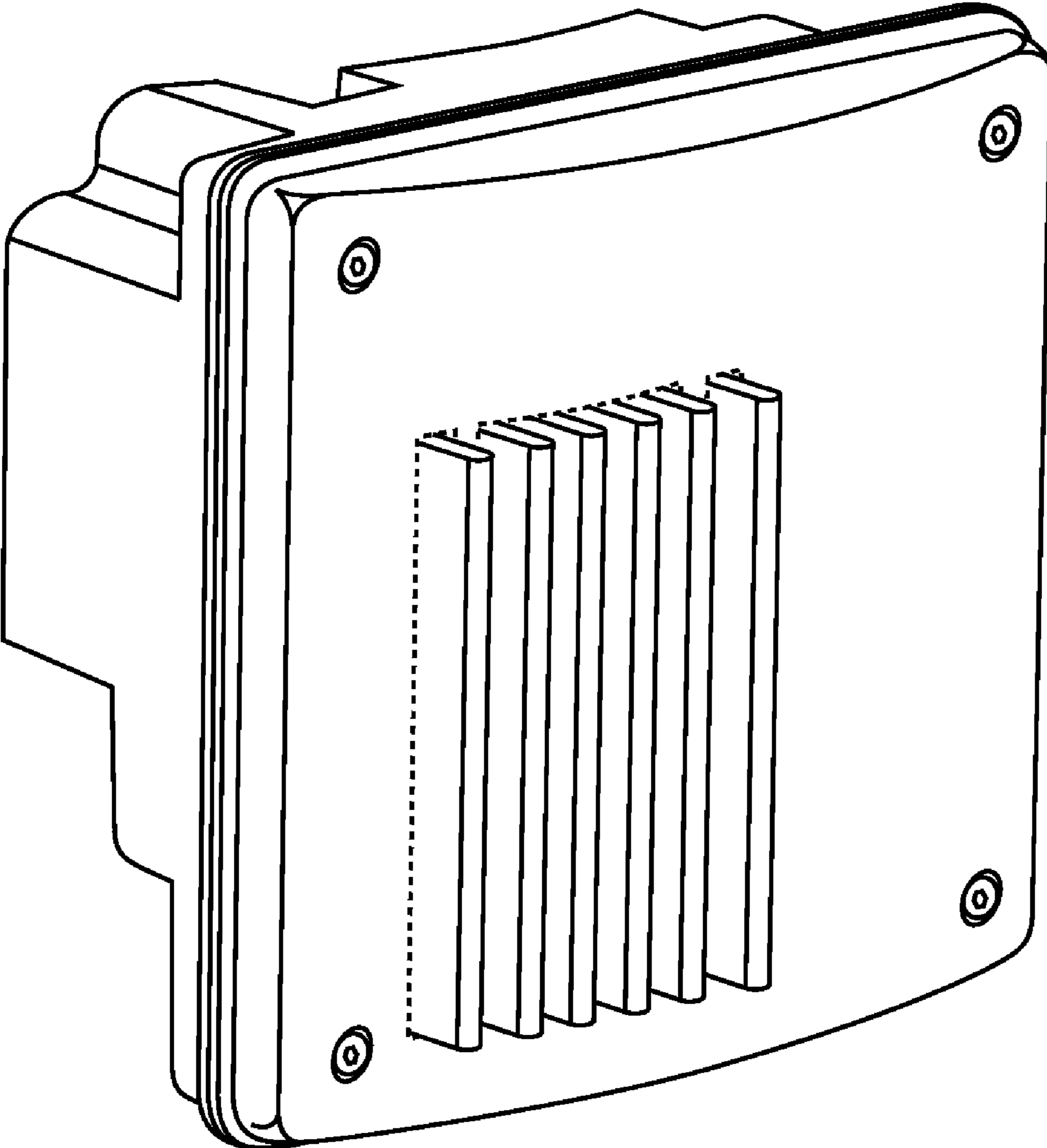


FIG. 7

UNITED STATES PATENT AND TRADEMARK OFFICE  
**CERTIFICATE OF CORRECTION**

PATENT NO. : D637,562 S  
APPLICATION NO. : 29/338235  
DATED : May 10, 2011  
INVENTOR(S) : Olaf Worm and Dirk Homuth

Page 1 of 1

It is certified that error appears in the above-identified patent and that said Letters Patent is hereby corrected as shown below:

On the Title Page

Item (75) in the inventor information, the residence of Dirk Homuth should read "Flensburg".

Signed and Sealed this  
Sixth Day of March, 2012

A handwritten signature in black ink that reads "David J. Kappos". The signature is written in a cursive style with a large initial 'D' and 'K'.

David J. Kappos  
*Director of the United States Patent and Trademark Office*