



US00D637559S

(12) **United States Design Patent**
Wada et al.

(10) **Patent No.:** **US D637,559 S**

(45) **Date of Patent:** **** May 10, 2011**

(54) **ELECTRICAL CONNECTOR**

(75) Inventors: **Takamitsu Wada**, Tokyo (JP); **Kenichi Kotaka**, Tokyo (JP); **Tadahiro Ota**, Tokyo (JP)

(73) Assignee: **Japan Aviation Electronics Industry Limited**, Tokyo (JP)

(**) Term: **14 Years**

(21) Appl. No.: **29/362,924**

(22) Filed: **Jun. 2, 2010**

(30) **Foreign Application Priority Data**

Dec. 7, 2009 (JP) 2009-028456

(51) **LOC (9) Cl.** **13-03**

(52) **U.S. Cl.** **D13/147**

(58) **Field of Classification Search** D13/147,
D13/154, 184; 439/108, 476.1, 483, 527,
439/533, 607.01, 607.04, 607.05, 607.17,
439/607.25, 607.34, 607.41, 607.53, 892,
439/894

See application file for complete search history.

(56) **References Cited**

U.S. PATENT DOCUMENTS

D461,454 S *	8/2002	Hagiwara	D13/147
D462,663 S *	9/2002	Hagiwara	D13/147
D478,050 S *	8/2003	Nishio et al.	D13/147
D481,681 S *	11/2003	Takahashi	D13/147
D509,192 S *	9/2005	Chen	D13/147
D523,400 S *	6/2006	Shang-Yen et al.	D13/147

D523,813 S *	6/2006	He et al.	D13/147
D550,160 S *	9/2007	Fujimoto	D13/147
D599,294 S *	9/2009	Yang et al.	D13/147
D608,288 S *	1/2010	Zhu et al.	D13/147
D618,625 S *	6/2010	Nagata et al.	D13/147

OTHER PUBLICATIONS

U.S. Appl. No. 29/362,925; First Named Inventor: Takamitsu Wada; Title: "Electrical Connecotr"; filed Jun. 2, 2010.

U.S. Appl. No. 29/362,922; First Named Inventor: Takamitsu Wada; Title: "Electrical Connector"; filed Jun. 2, 2010.

* cited by examiner

Primary Examiner — Daniel Bui

(74) *Attorney, Agent, or Firm* — Holtz, Holtz, Goodman & Chick, PC

(57) **CLAIM**

The ornamental design for an electrical connector, as shown.

DESCRIPTION

FIG. 1 is a front, top and right side perspective view of an electrical connector showing our new design; FIG. 2 is a rear, top and left side perspective view thereof; FIG. 3 is a front view thereof; FIG. 4 is a rear view thereof; FIG. 5 is a top view thereof; FIG. 6 is a bottom view thereof; FIG. 7 is a right side view thereof; and, FIG. 8 is a left side view thereof.

The broken line portions of the drawing figures are included to show unclaimed subject matter only and form no part of the claimed design.

1 Claim, 3 Drawing Sheets

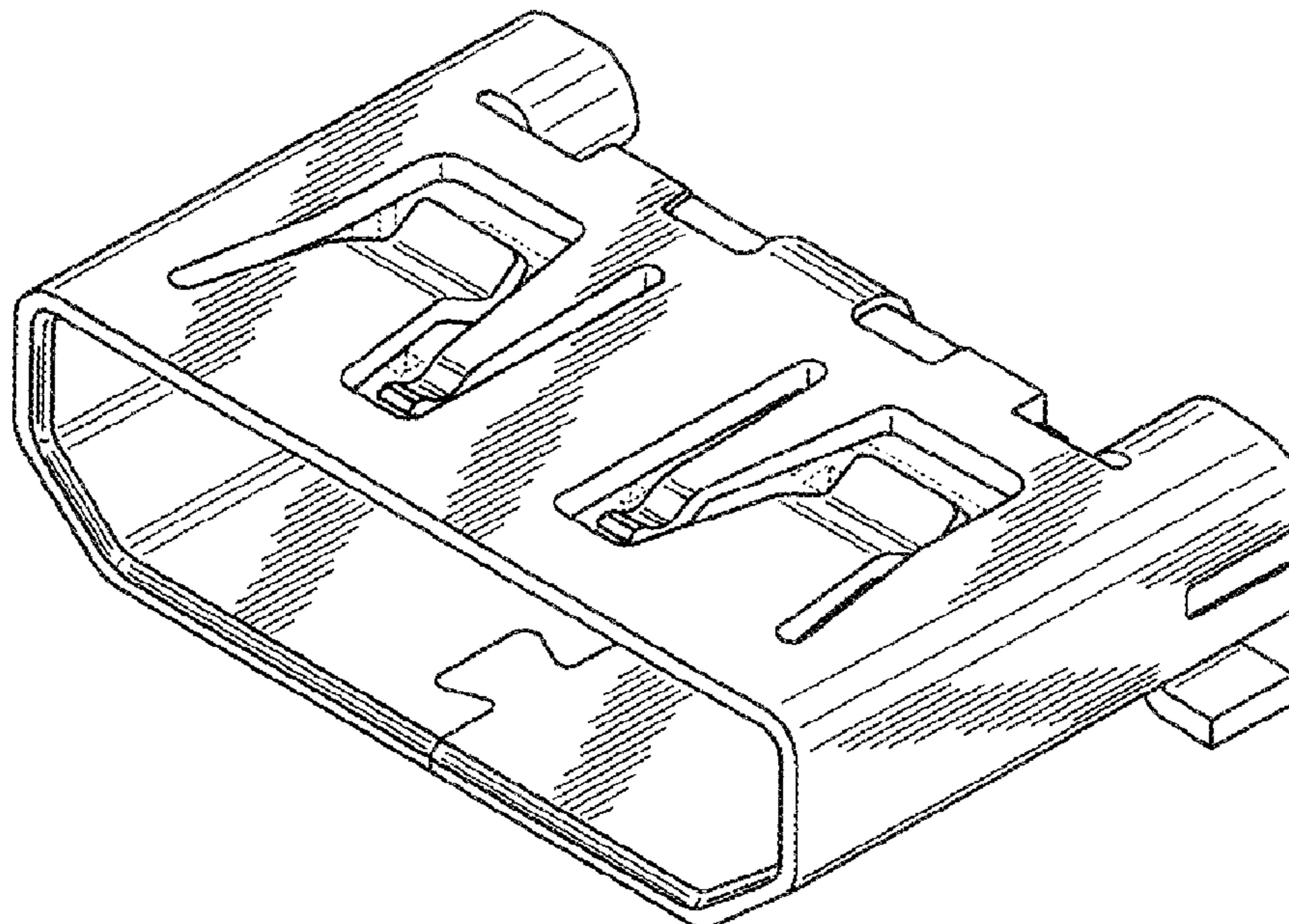


FIG. 1

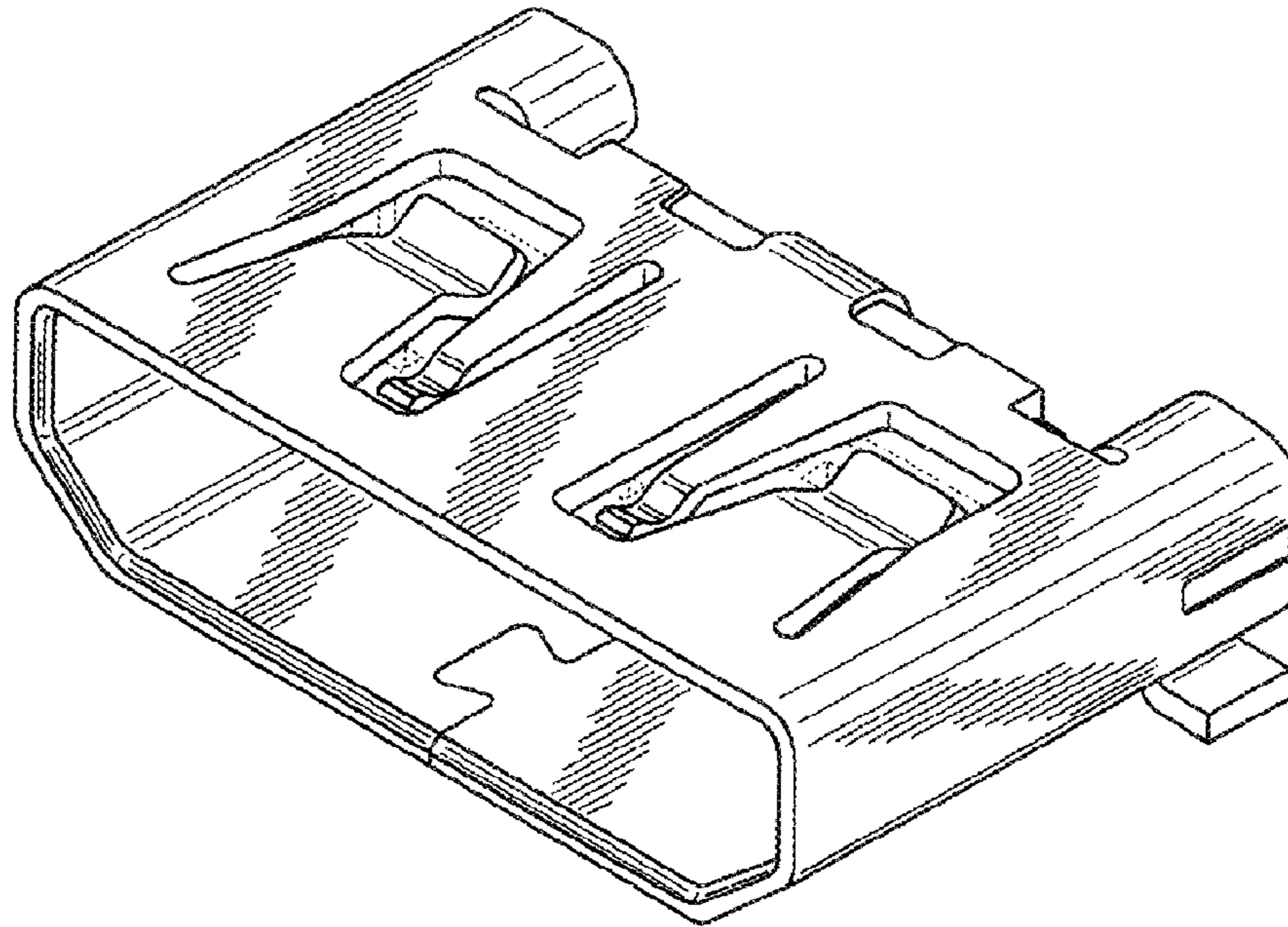


FIG. 2

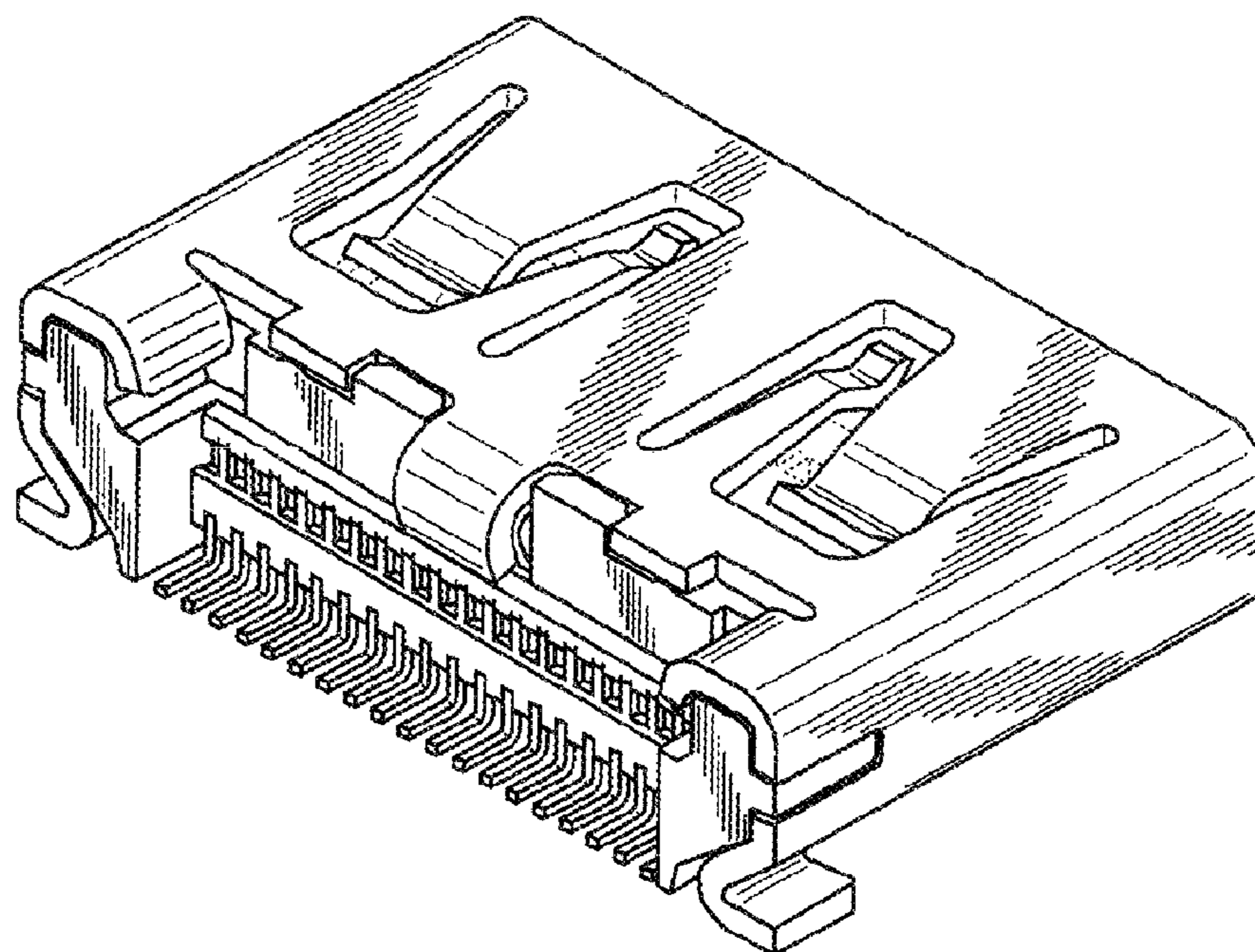


FIG. 3

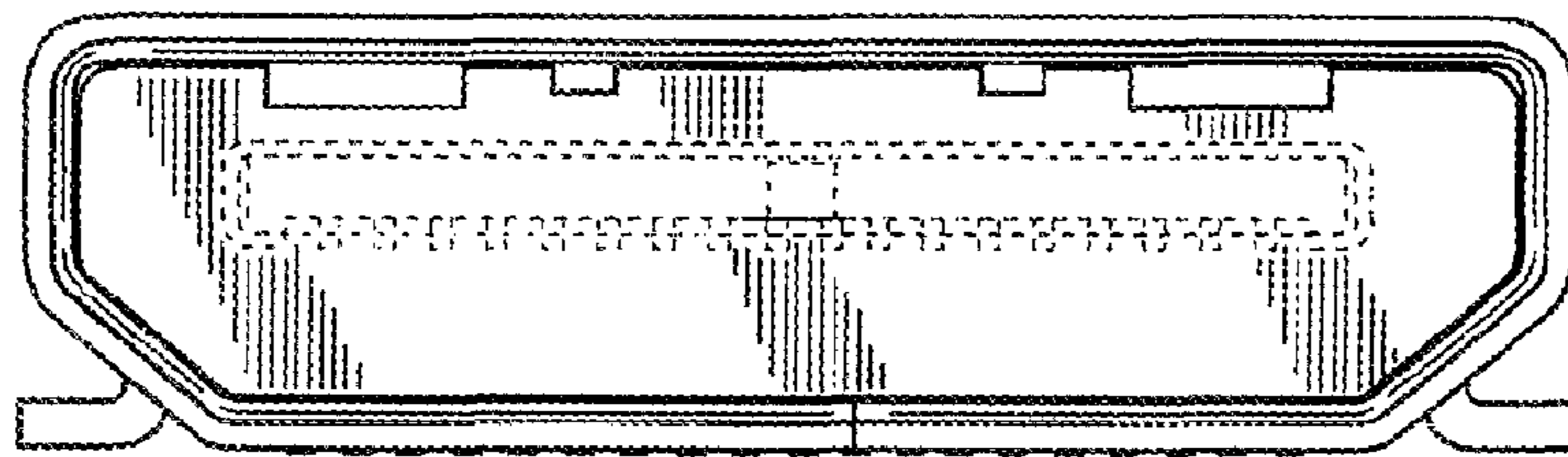


FIG. 4

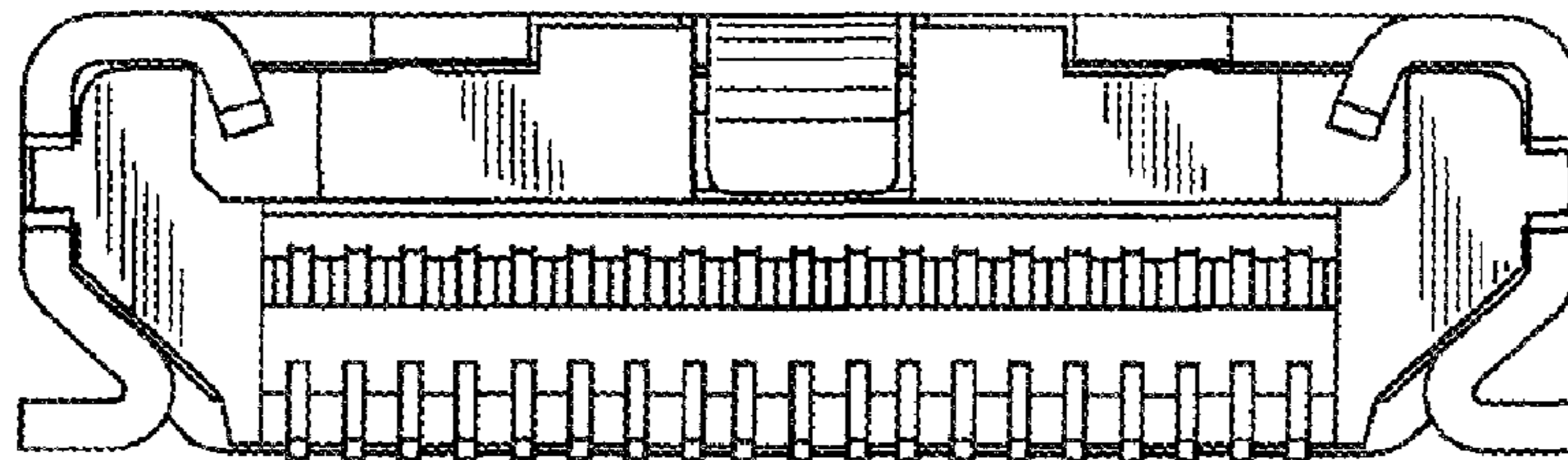


FIG. 5

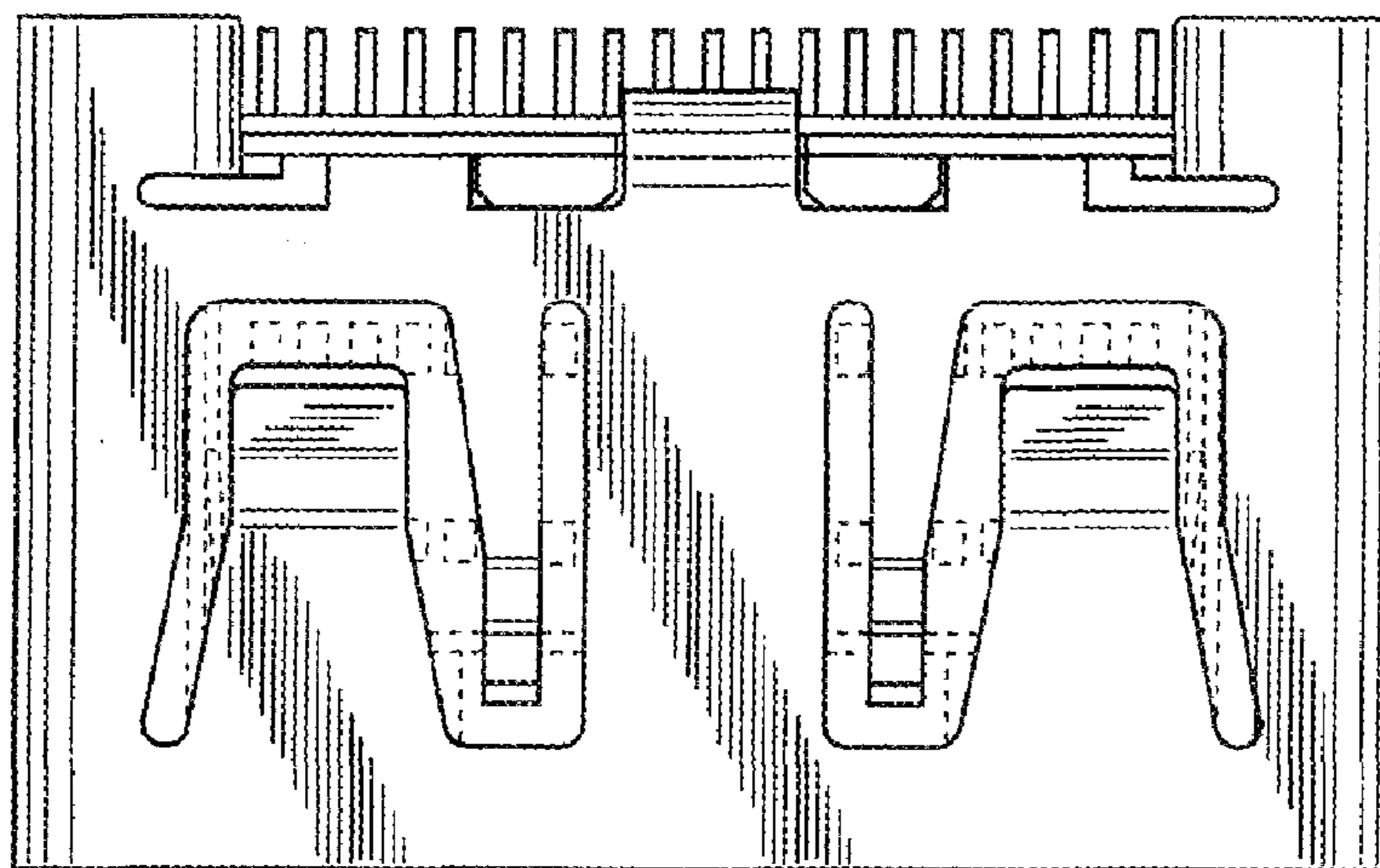


FIG. 6

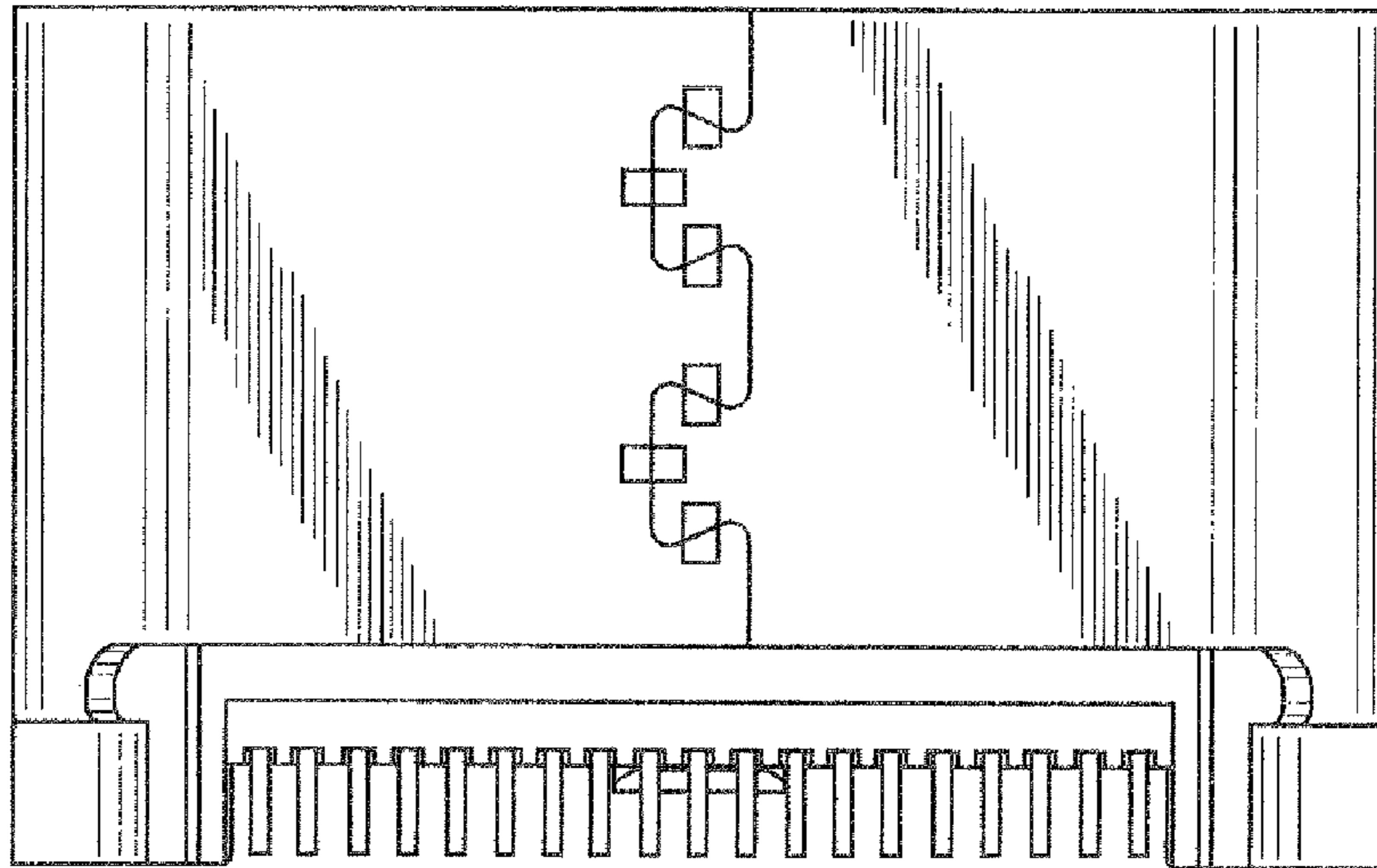


FIG. 7

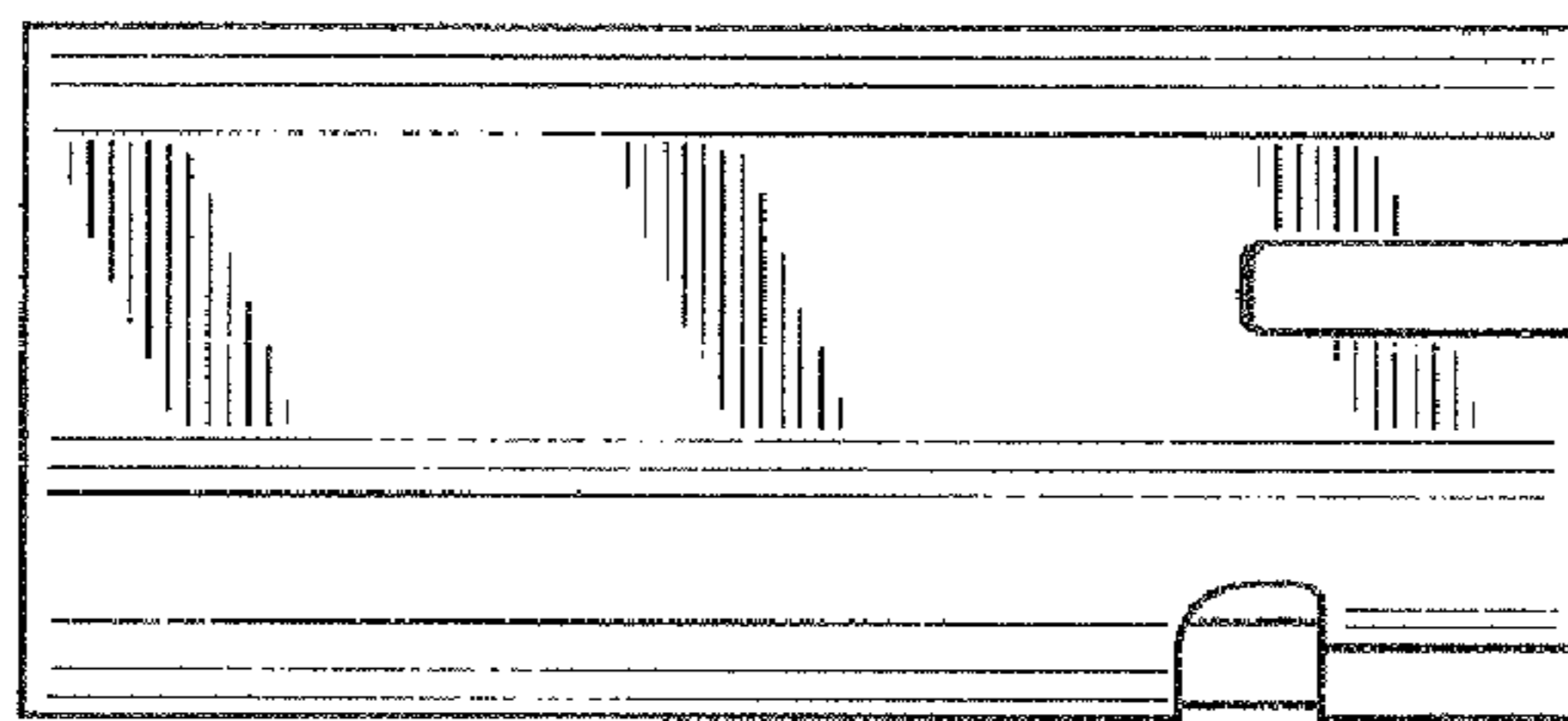


FIG. 8

