



US00D637556S

(12) **United States Design Patent**  
**Akahori**

(10) **Patent No.:** **US D637,556 S**

(45) **Date of Patent:** **\*\* \*May 10, 2011**

(54) **OUTLET**

(75) Inventor: **Yasuhiro Akahori**, Nishinomiya (JP)

(73) Assignee: **Panasonic Electric Works Co., Ltd.**,  
Kadoma-shi (JP)

(\*) Notice: This patent is subject to a terminal disclaimer.

(\*\*) Term: **14 Years**

(21) Appl. No.: **29/368,294**

(22) Filed: **Aug. 20, 2010**

(30) **Foreign Application Priority Data**

Feb. 23, 2010 (JP) ..... 2010-004194

(51) **LOC (9) Cl.** ..... **13-03**

(52) **U.S. Cl.** ..... **D13/139.4**

(58) **Field of Classification Search** ..... D13/138.1,  
D13/138.2, 139.1, 139.2, 139.3, 139.4, 139.5,  
D13/139.6, 139.7, 139.8, 137.1, 137.2, 137.3,  
D13/137.4, 133, 146, 147, 151, 152, 153,  
D13/154, 107, 108, 110, 162, 170, 156; 363/15,  
363/34, 146; 439/93, 105, 119, 149, 225,  
439/521, 535, 583, 866, 919; D8/353; 174/493,  
174/494, 53, 59, 60, 66, 67; 320/111, 114,  
320/115

See application file for complete search history.

(56) **References Cited**

**U.S. PATENT DOCUMENTS**

3,252,611 A \* 5/1966 Weitzman et al. .... 220/242  
D380,195 S \* 6/1997 Stekelenburg ..... D13/139.6  
D411,826 S \* 7/1999 Lamar et al. .... D13/139.6  
D435,517 S \* 12/2000 Stekelenburg ..... D13/139.8

D437,582 S \* 2/2001 Stekelenburg ..... D13/139.1  
6,410,851 B1 \* 6/2002 Lamar et al. .... 174/67  
D460,415 S \* 7/2002 Stekelenburg ..... D13/139.4  
D464,319 S \* 10/2002 Fowler ..... D13/137.2  
D536,304 S \* 2/2007 Czyz et al. .... D13/139.5  
D564,973 S \* 3/2008 Meng-Suen ..... D13/162  
D588,540 S \* 3/2009 Barnes et al. .... D13/139.1  
D591,682 S \* 5/2009 Lin ..... D13/139.2  
D618,176 S \* 6/2010 Kato et al. .... D13/146

**FOREIGN PATENT DOCUMENTS**

JP D1390406 \* 6/2010

\* cited by examiner

*Primary Examiner* — Angela Lee

(74) *Attorney, Agent, or Firm* — Marvin A. Motsenbocker;  
Mots Law, PLLC

(57) **CLAIM**

The ornamental design for an outlet, as shown and described.

**DESCRIPTION**

FIG. 1 is a perspective view of the outlet;  
FIG. 2 is a front view thereof;  
FIG. 3 is a right side view thereof;  
FIG. 4 is a top plan view thereof;  
FIG. 5 is a rear view thereof;  
FIG. 6 is a bottom view thereof;  
FIG. 7 is a sectional view thereof at cross-section 7—7 of  
FIG. 2 with interior components shown in broken lines; and,  
FIG. 8 is a perspective view thereof, that shows a lid being  
opened.

The portions of the article in broken lines are shown for  
illustrative purposes only and form no part of the claimed  
design.

A left side view of the outlet is a mirror image of the right side  
view, and therefore omitted.

**1 Claim, 8 Drawing Sheets**

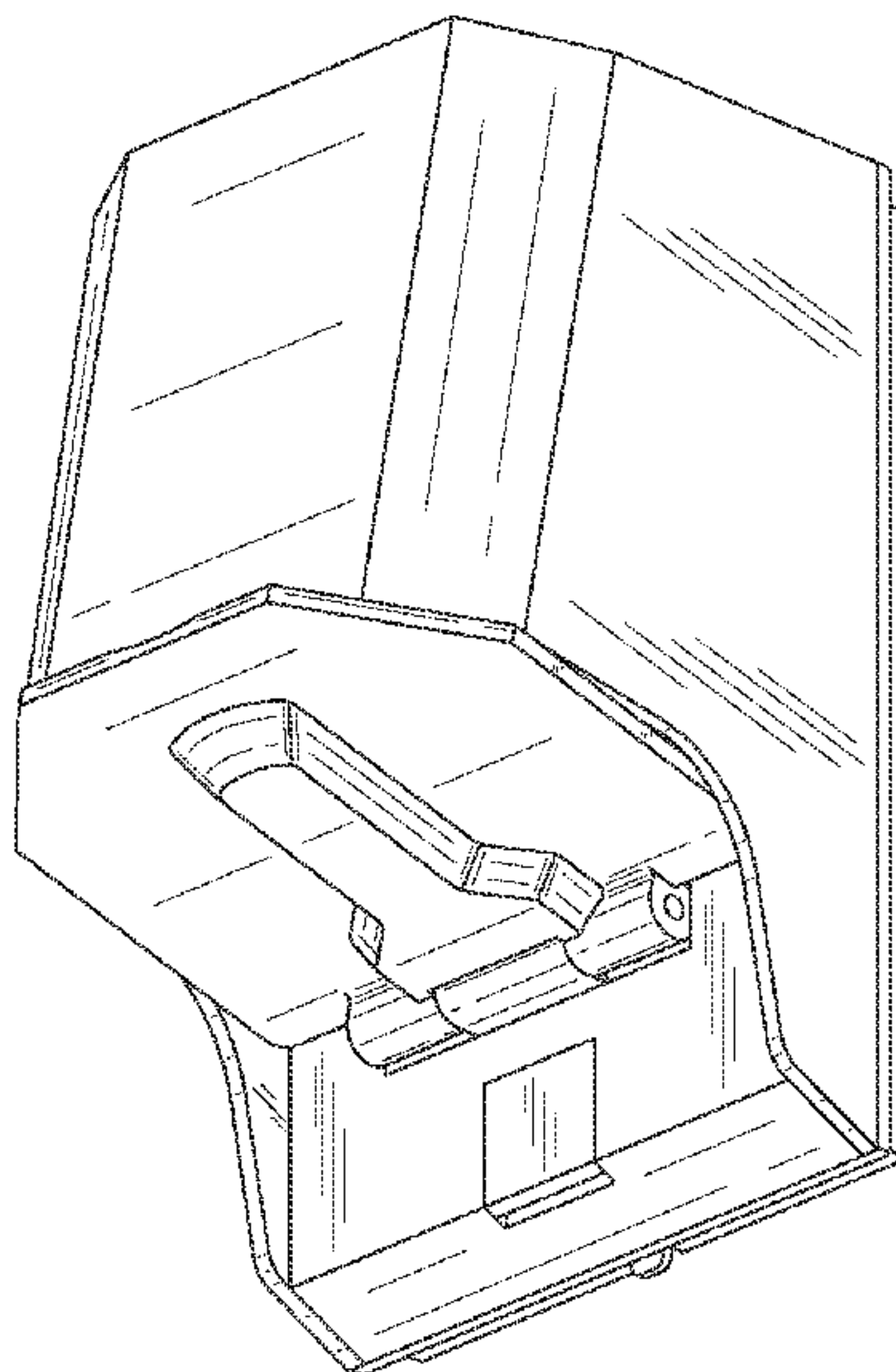


Fig. 1

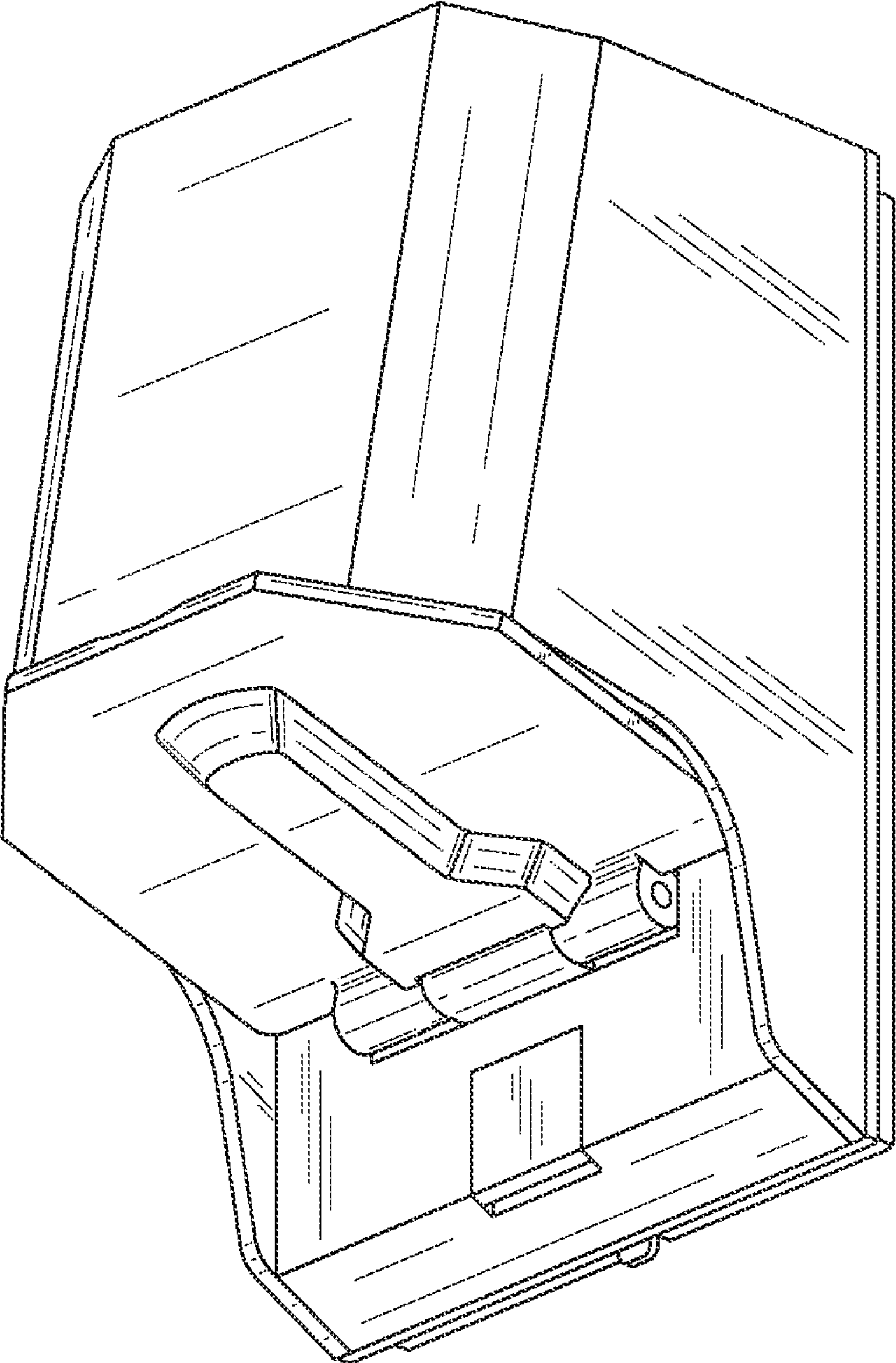
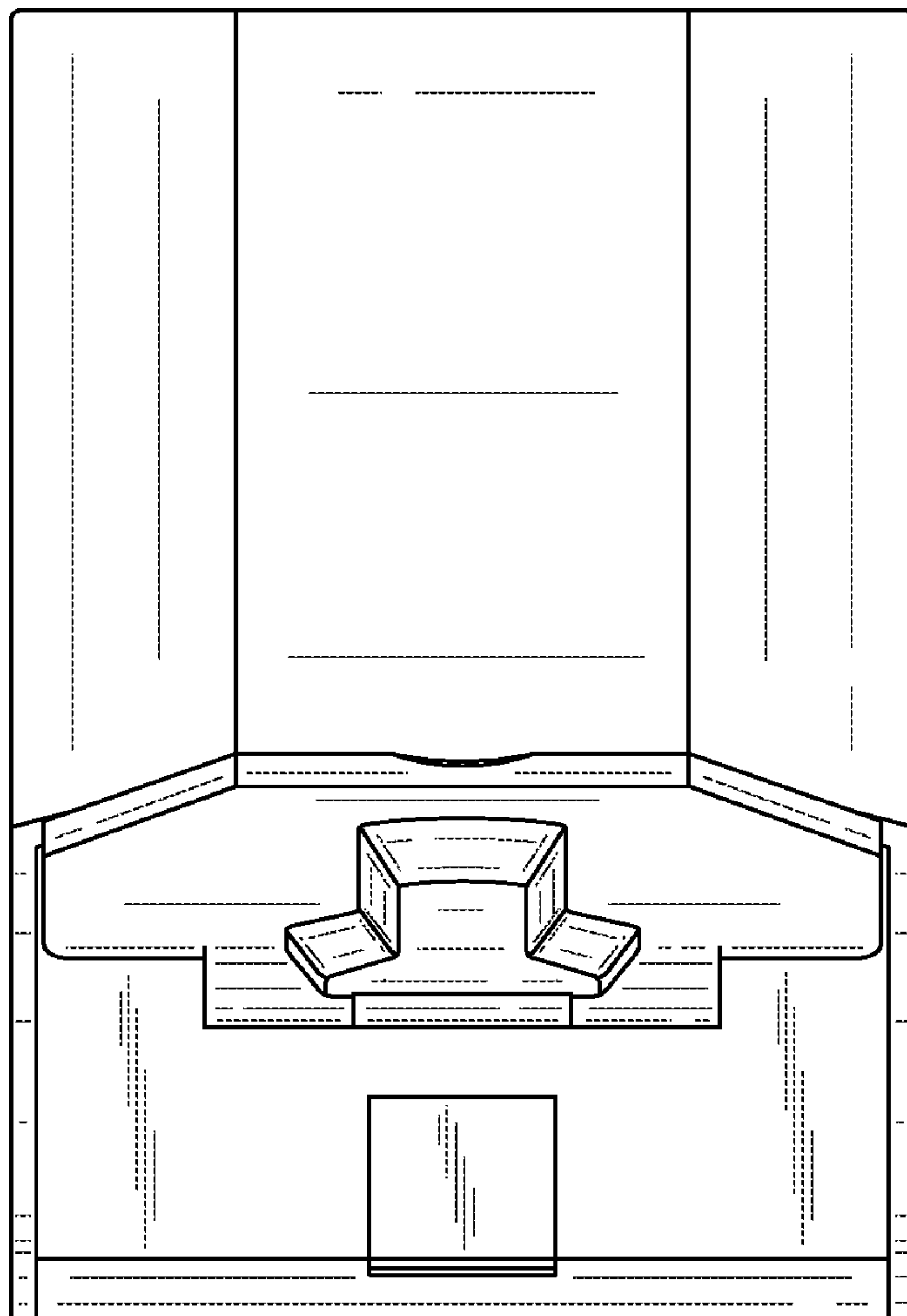


Fig.2

7 ←



7 ←

Fig. 3

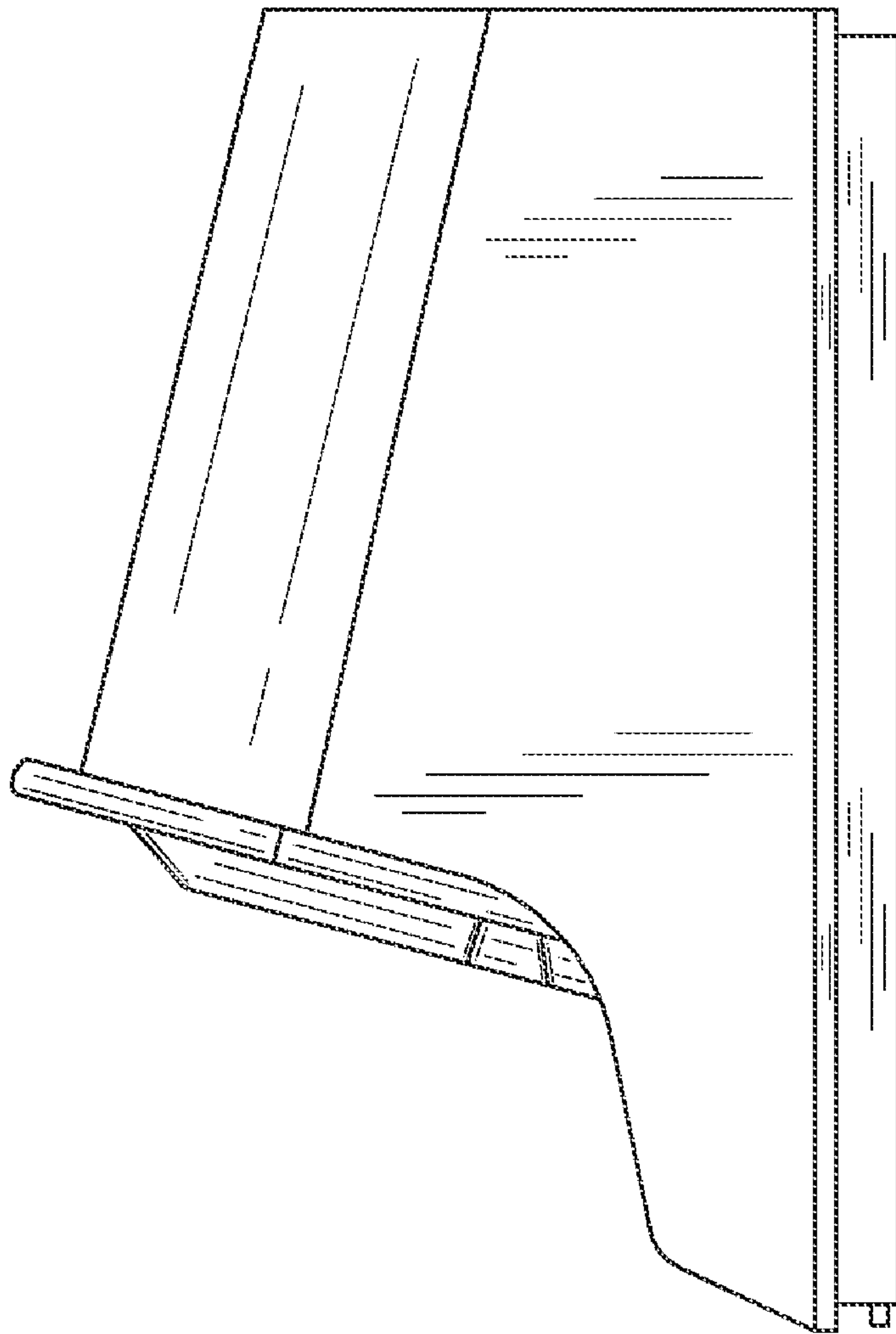


Fig.4

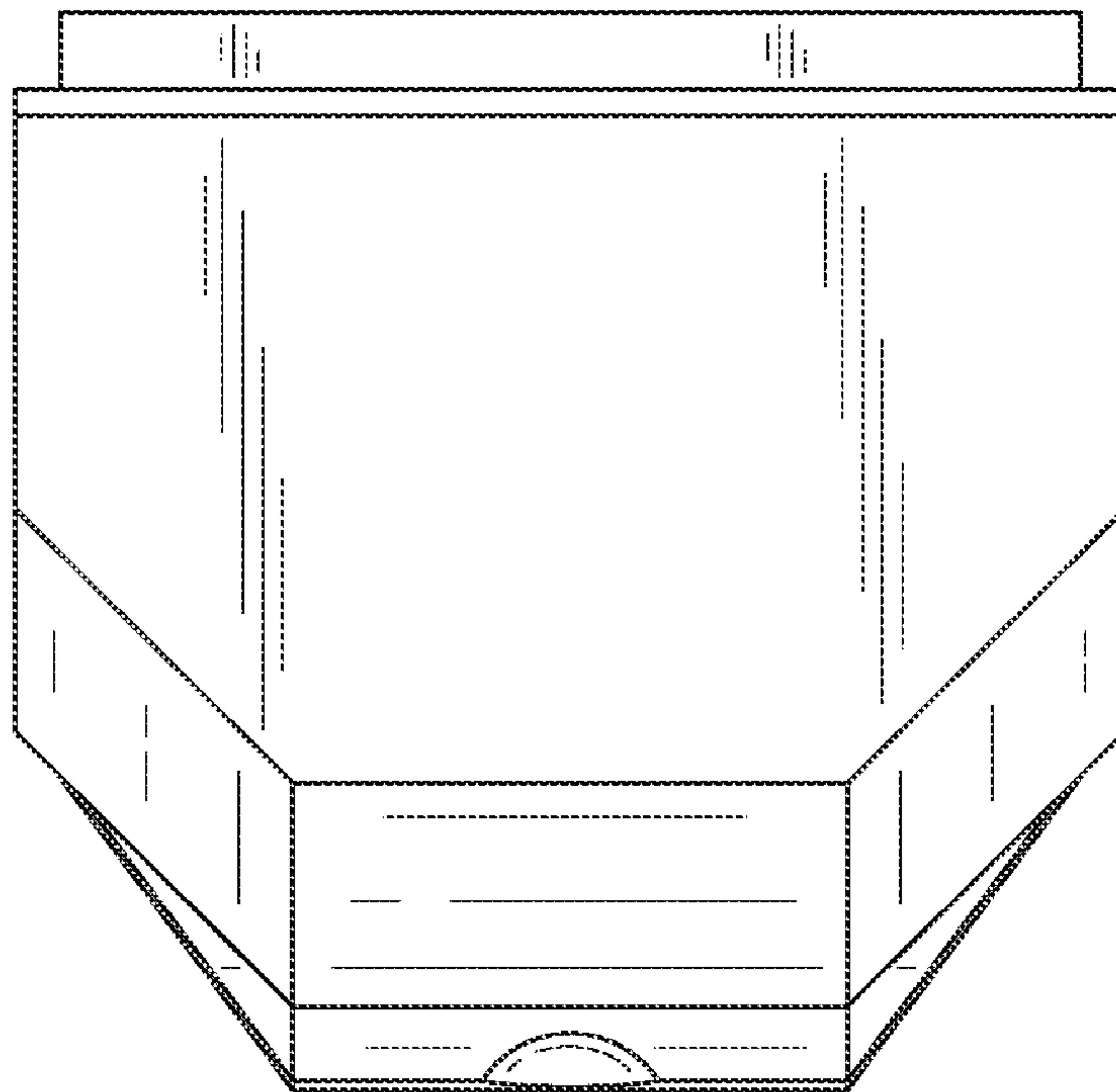




Fig. 5

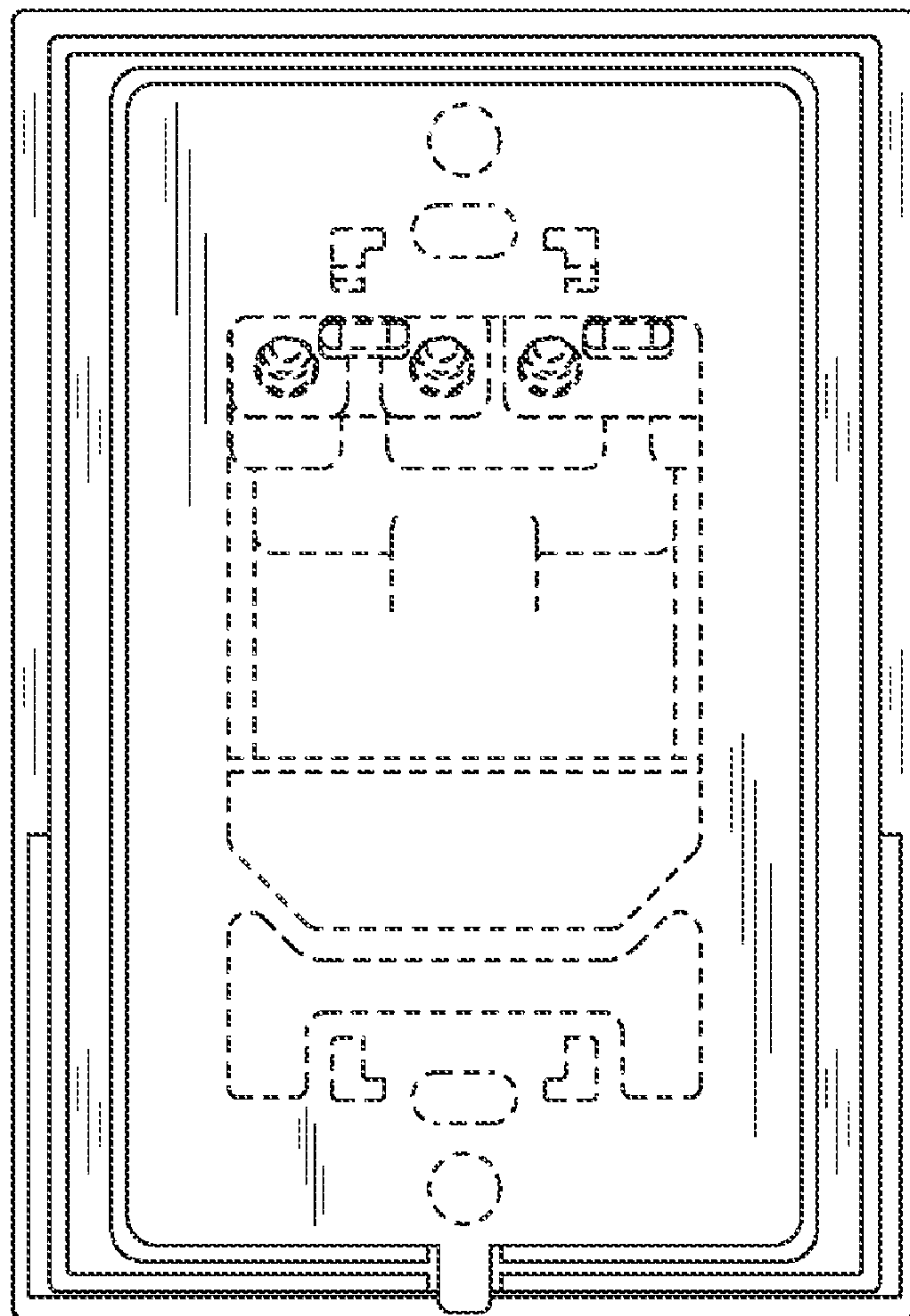


Fig.6

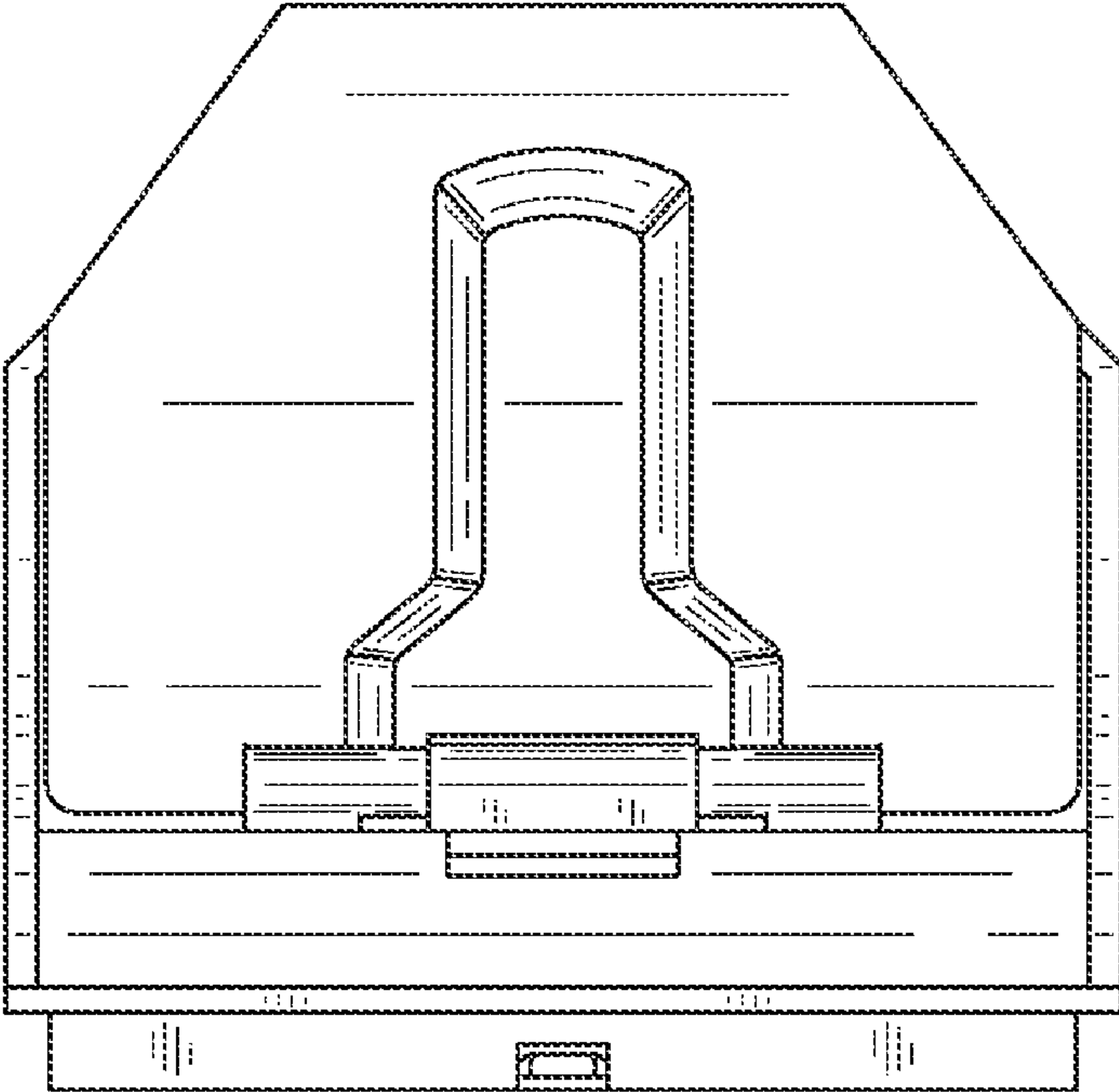


Fig. 7

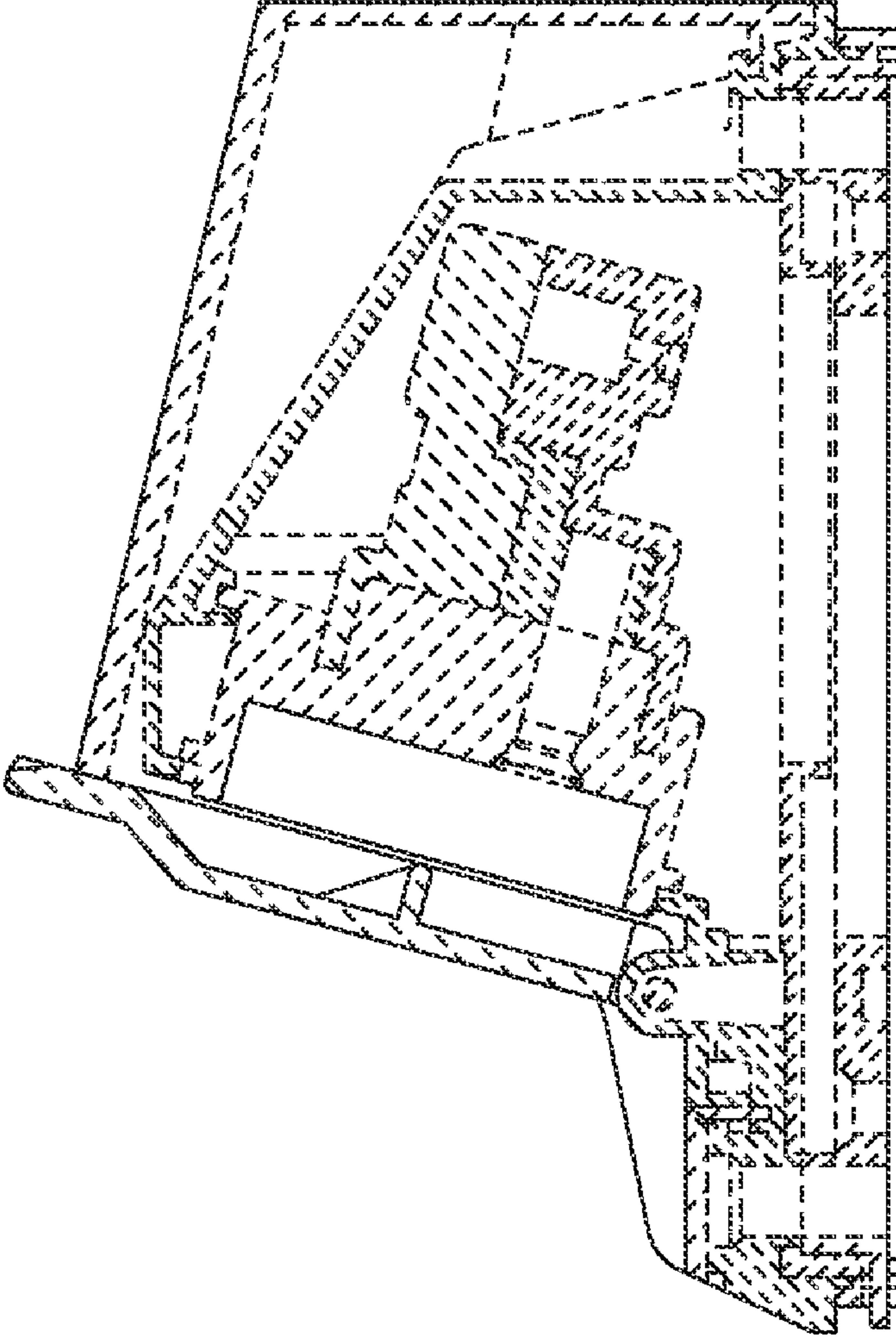




Fig.8

