



US00D637552S

(12) **United States Design Patent**
Inman et al.

(10) **Patent No.:** **US D637,552 S**

(45) **Date of Patent:** **** May 10, 2011**

(54) **BATTERY PACK**

(75) Inventors: **Richard Tobias Inman**, San Francisco, CA (US); **Elizabeth A. Cleary**, San Francisco, CA (US); **Montfort De Lattre**, San Francisco, CA (US); **Mark Manuel Martinez**, San Francisco, CA (US); **Keeline Wilcox**, San Francisco, CA (US)

(73) Assignee: **Cisco Technology, Inc**, San Jose, CA (US)

(**) Term: **14 Years**

(21) Appl. No.: **29/368,753**

(22) Filed: **Aug. 27, 2010**

(51) **LOC (9) Cl.** **13-02**

(52) **U.S. Cl.** **D13/103**

(58) **Field of Classification Search** D13/102–106,
D13/110, 118–121, 184, 199; 429/96–100,
429/163, 176, 187

See application file for complete search history.

(56) **References Cited**

U.S. PATENT DOCUMENTS

D303,524	S	*	9/1989	Siegner et al.	D14/438
D414,158	S	*	9/1999	Frye et al.	D13/103
D502,684	S	*	3/2005	Koshiishi	D13/110
D526,612	S	*	8/2006	Sugeno et al.	D13/103
D538,225	S	*	3/2007	Lyman et al.	D13/119
D538,226	S	*	3/2007	Lyman et al.	D13/119
D551,615	S	*	9/2007	Wahl et al.	D13/103
D568,240	S	*	5/2008	Haydvoegel	D13/103
D580,349	S	*	11/2008	Haydvoegel	D13/103
D584,683	S	*	1/2009	Preliasco et al.	D13/103
D597,483	S	*	8/2009	Wahl et al.	D13/103
D603,790	S	*	11/2009	Andren et al.	D13/103

* cited by examiner

Primary Examiner — Rosemary K Tarcza

(74) *Attorney, Agent, or Firm* — Patterson & Sheridan, LLP

(57) **CLAIM**

The ornamental design for an battery pack, as shown.

DESCRIPTION

FIG. 1 is a perspective view of an battery pack.

FIG. 2 is a front elevational view thereof.

FIG. 3 is a rear elevational view thereof.

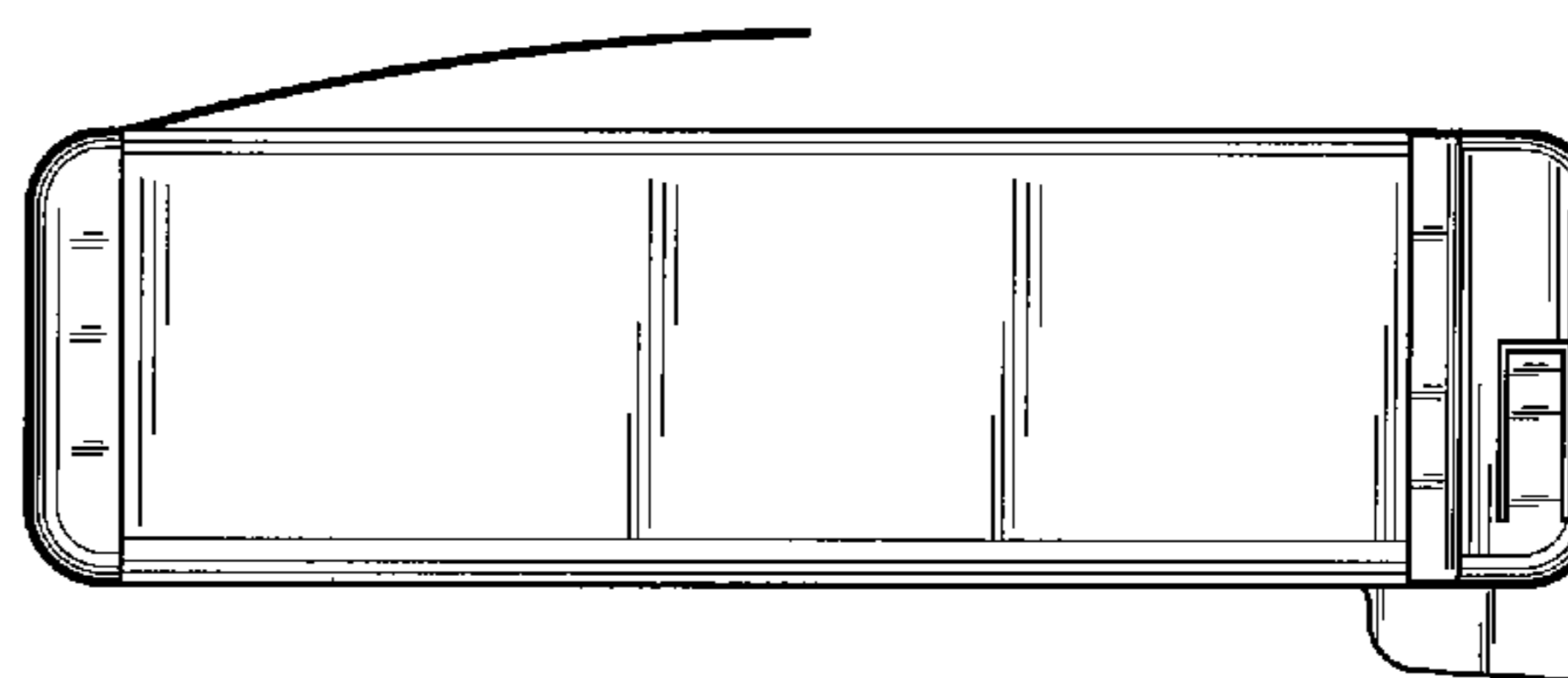
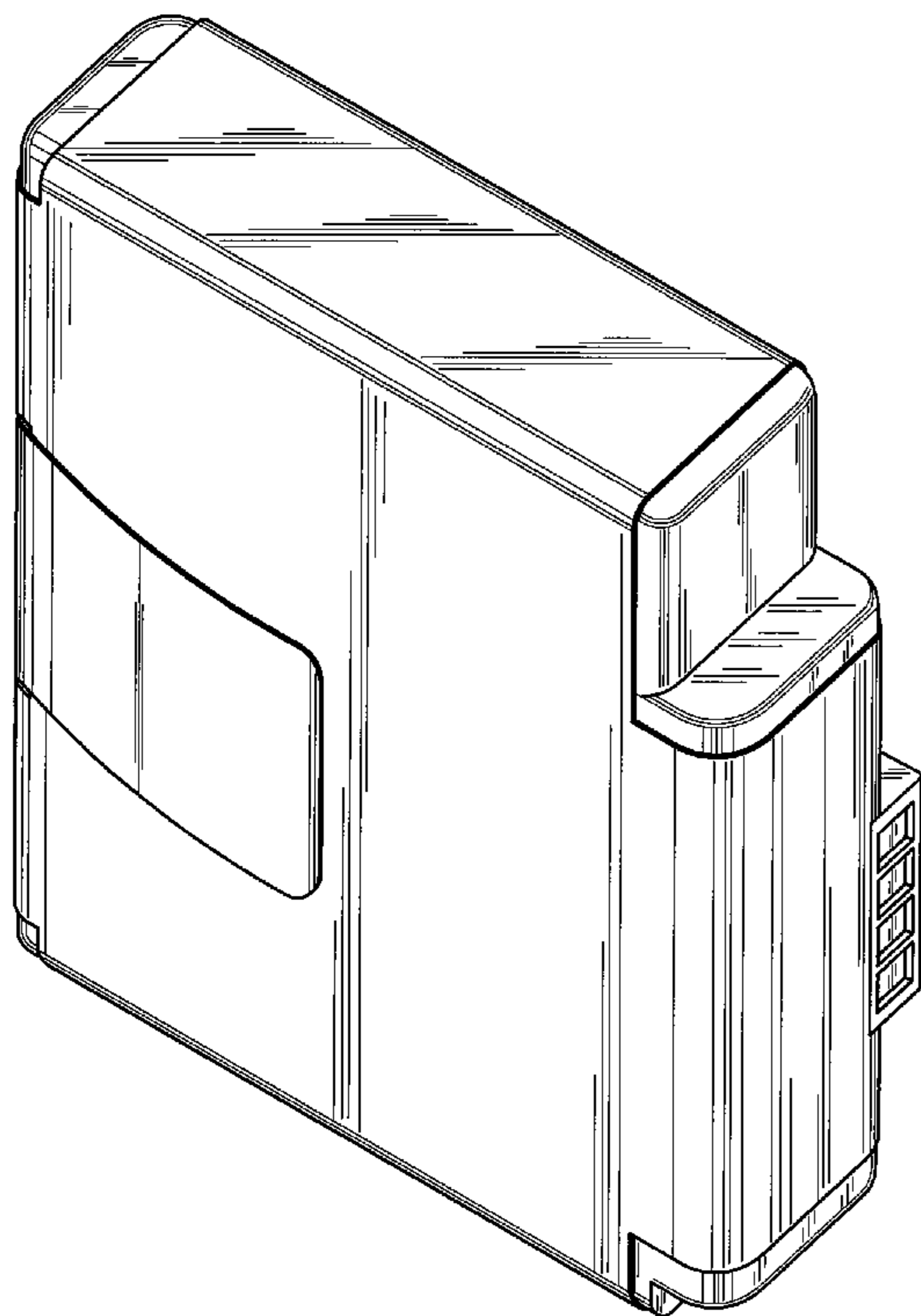
FIG. 4 is a left side elevational view thereof.

FIG. 5 is a right side elevational view thereof.

FIG. 6 is a top view thereof; and,

FIG. 7 is a bottom view thereof.

1 Claim, 6 Drawing Sheets



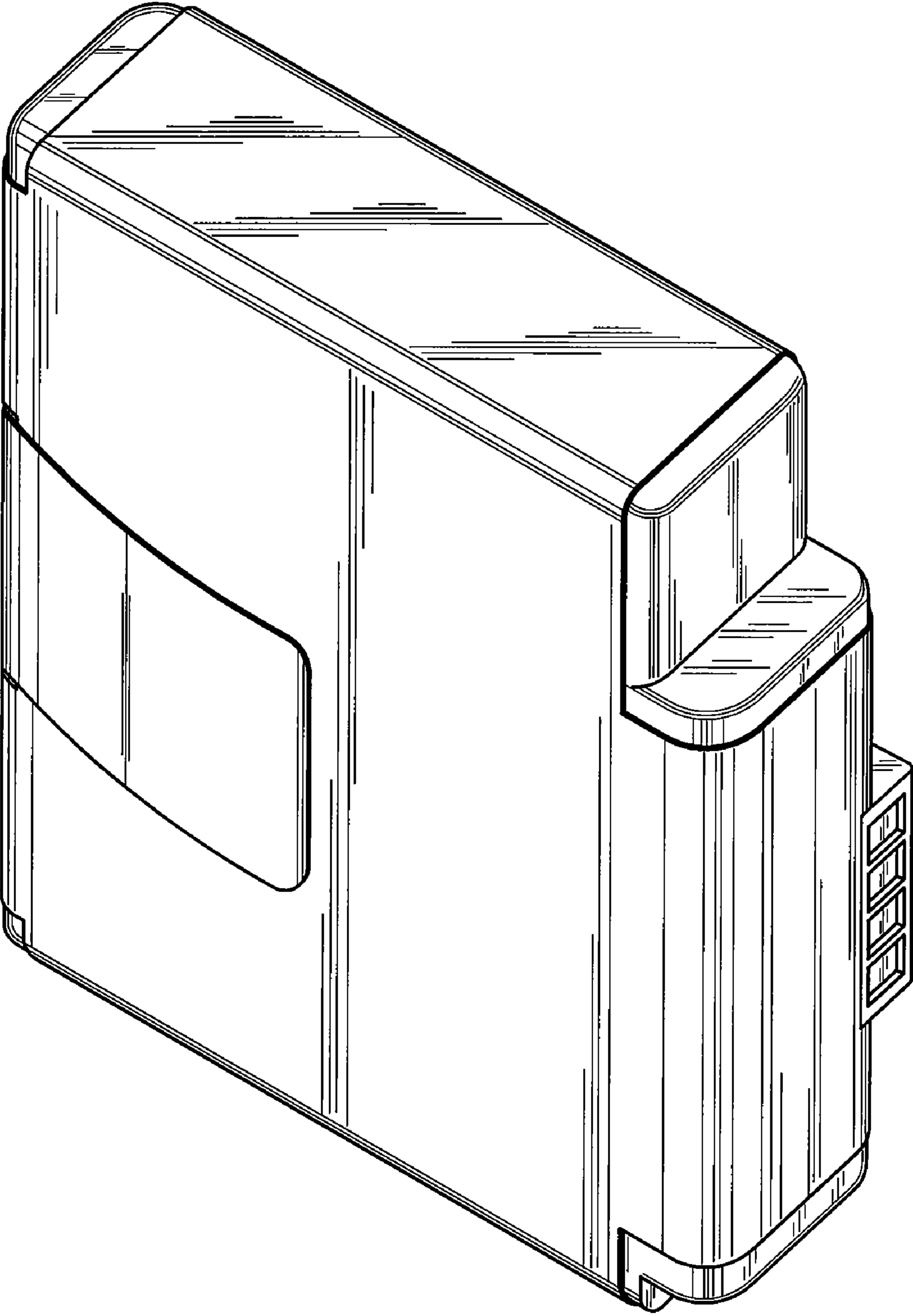


FIG. 1

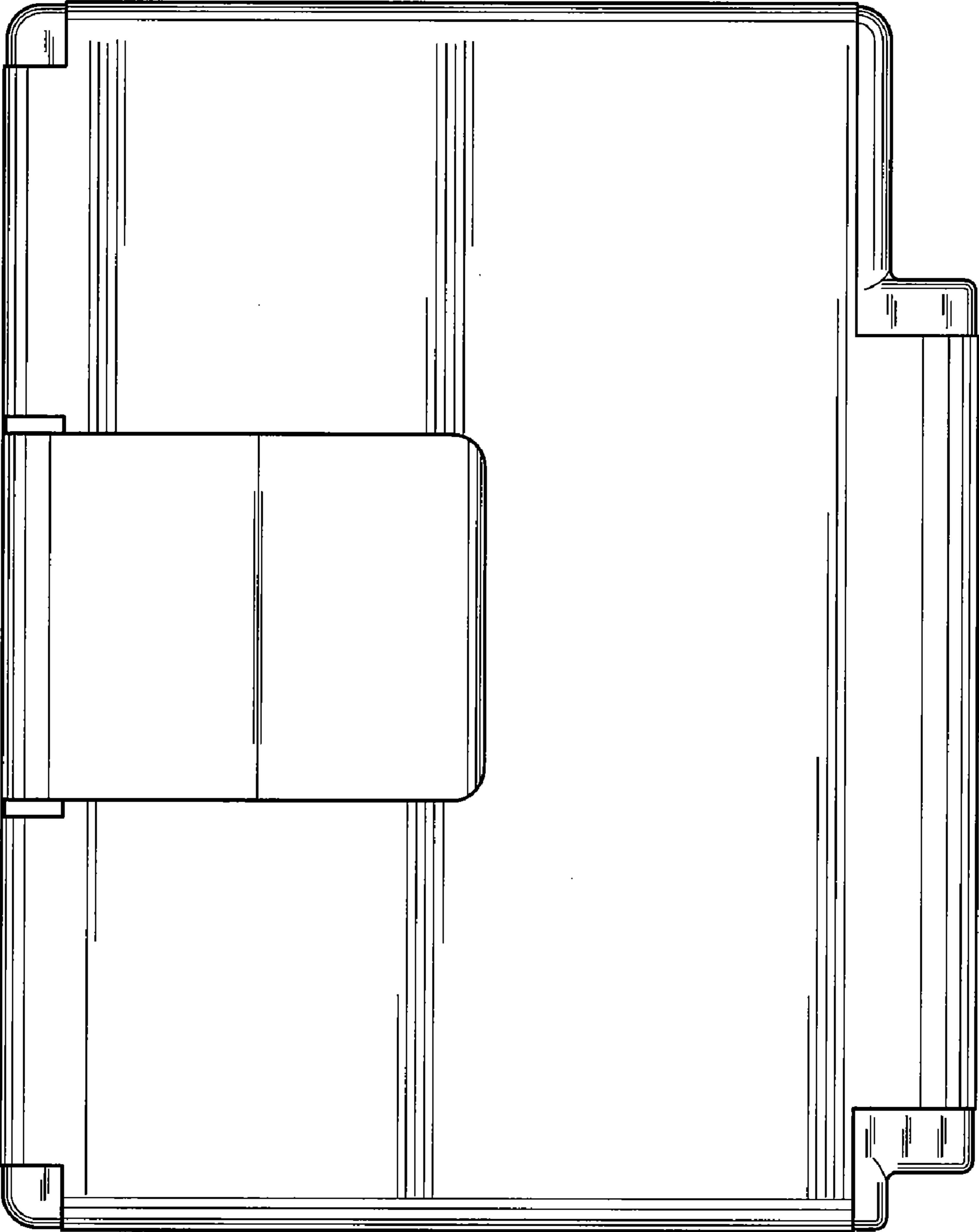


FIG.2

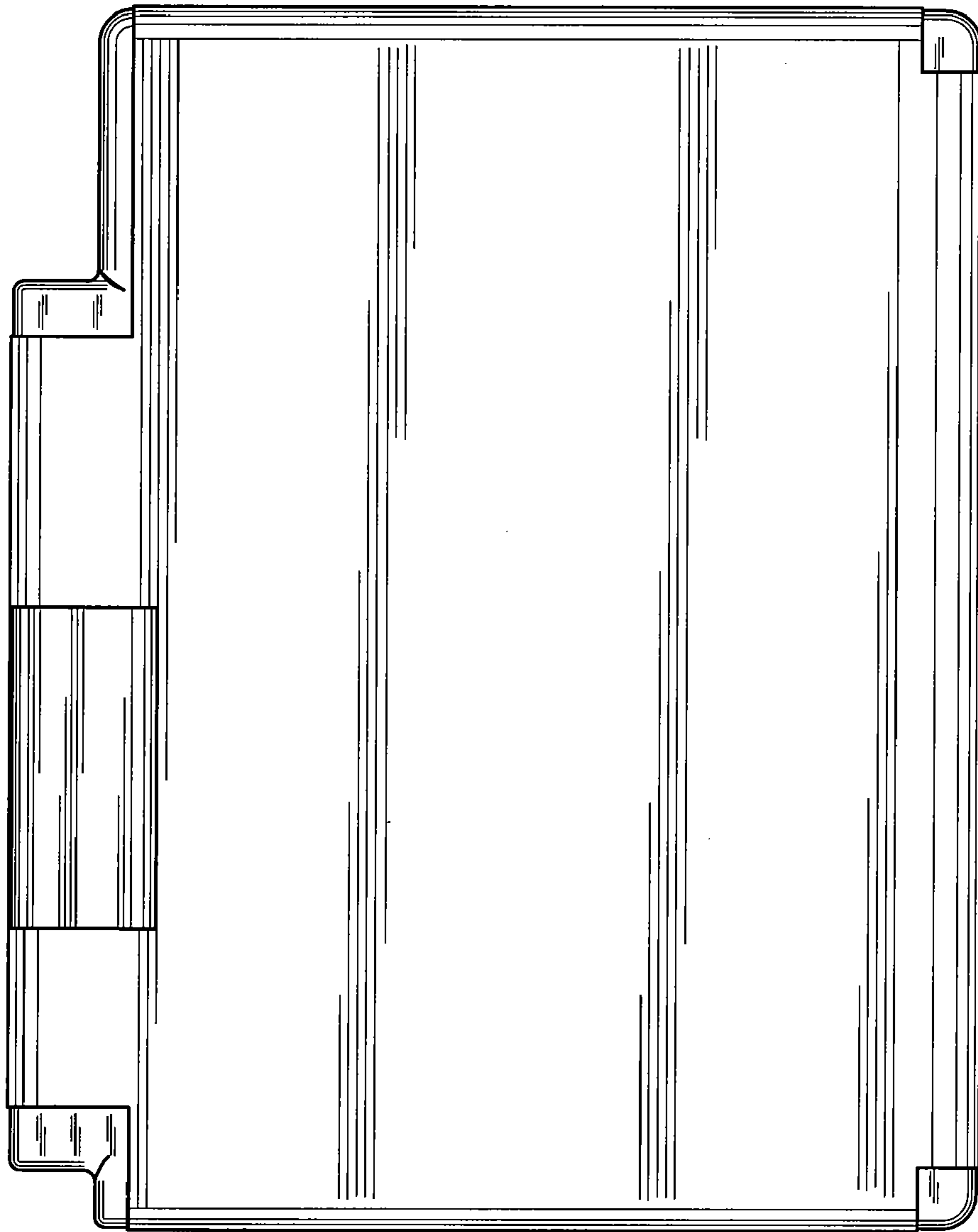


FIG.3

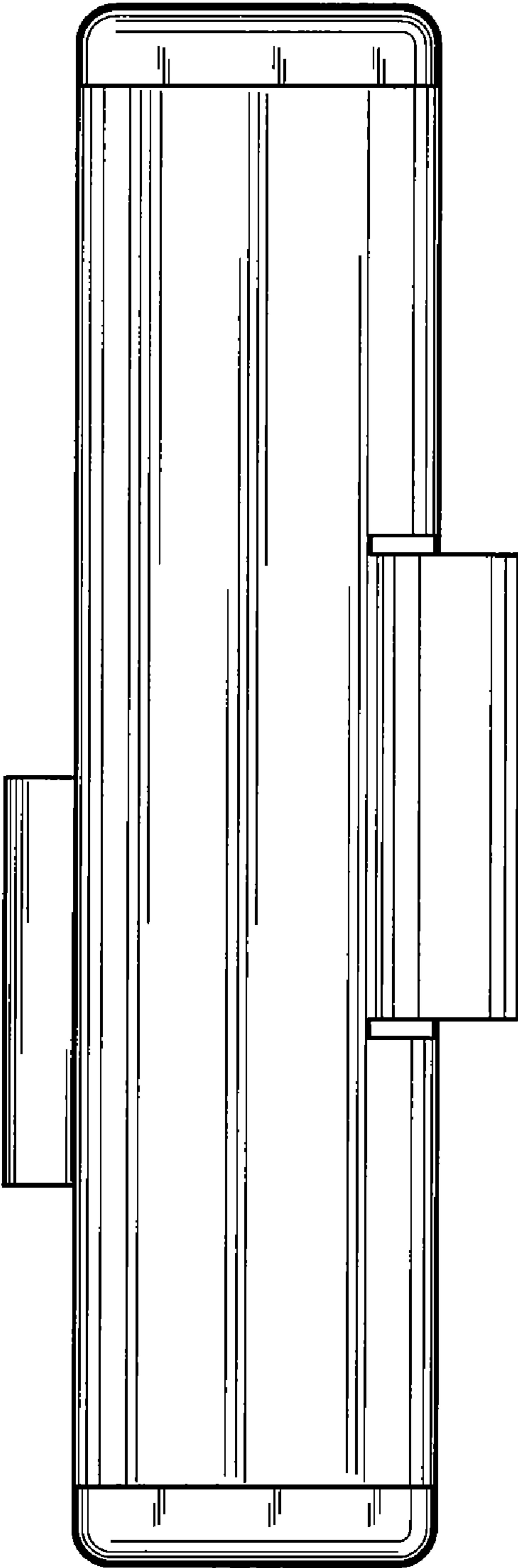


FIG. 4

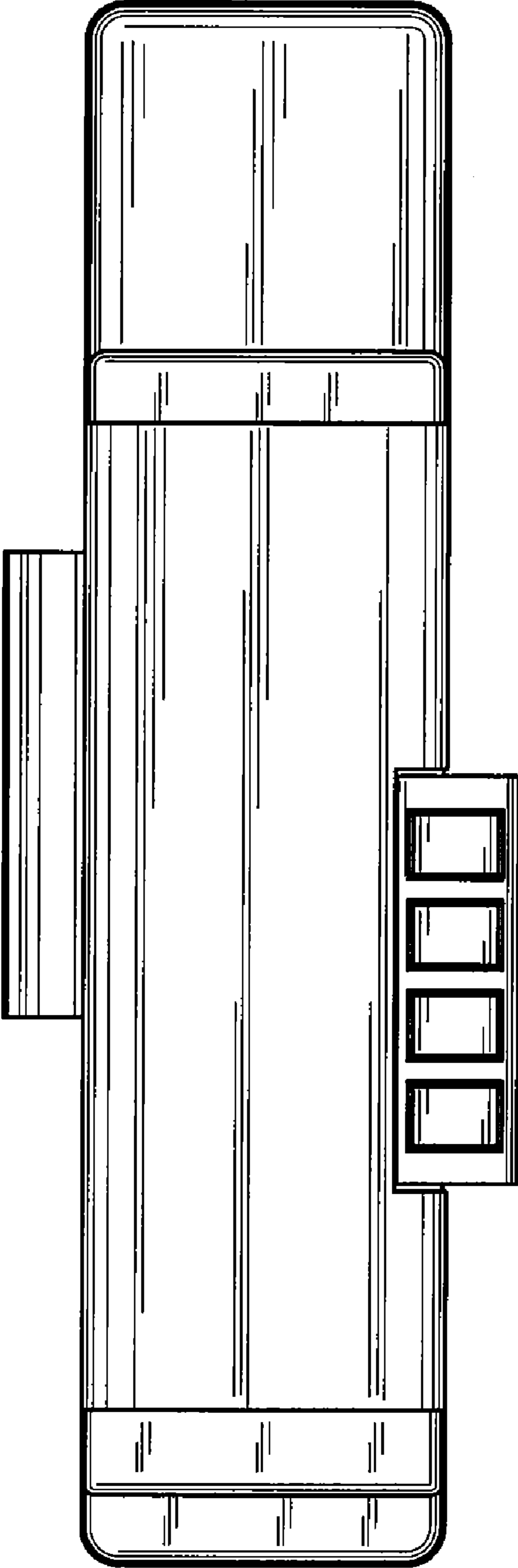


FIG.5

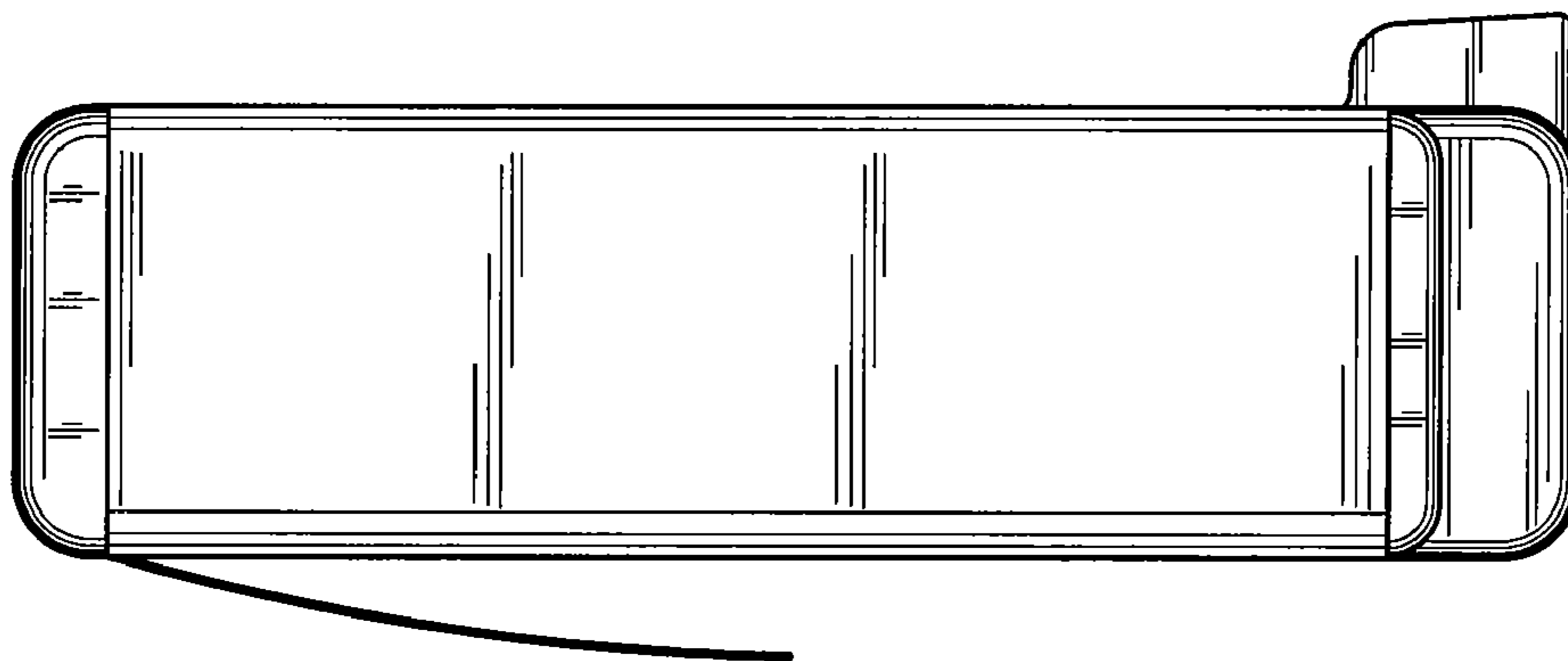


FIG. 6

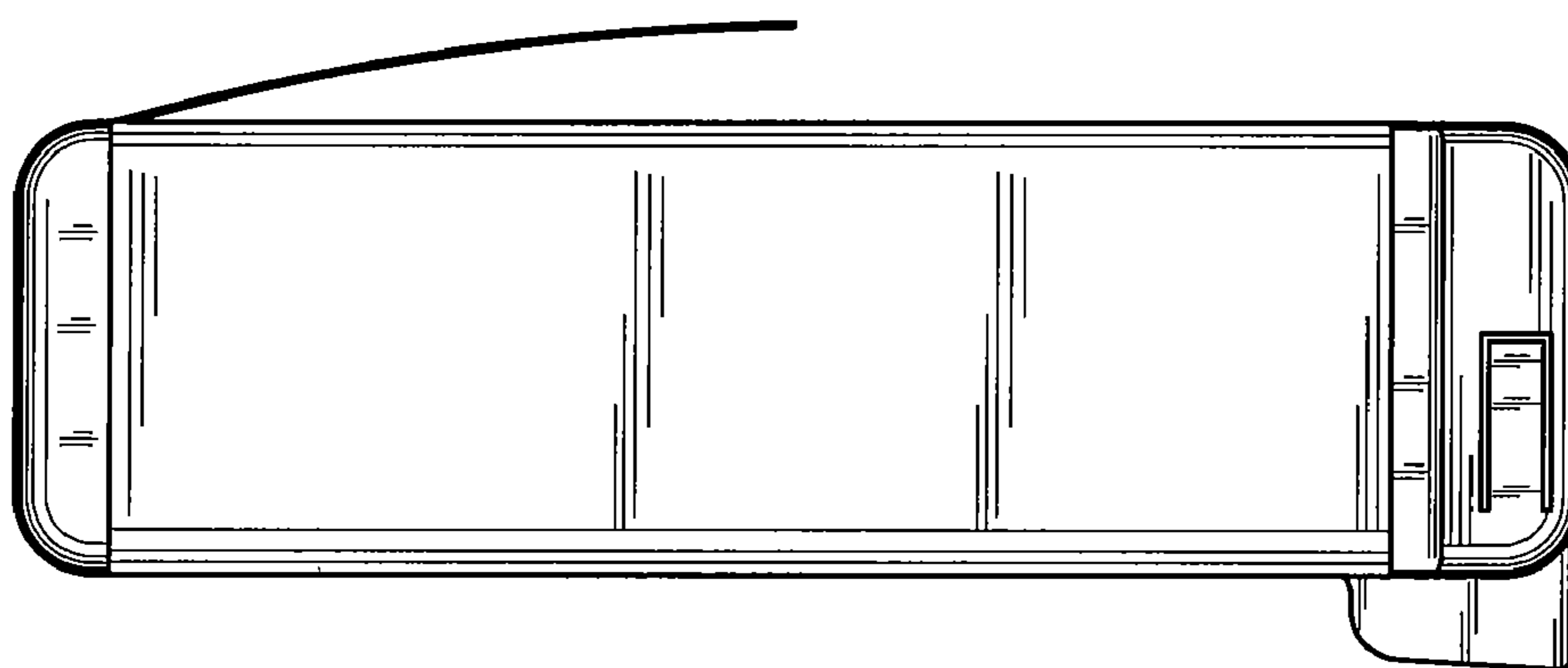


FIG. 7