



US00D637543S

(12) **United States Design Patent**  
**van Helden**

(10) **Patent No.:** **US D637,543 S**

(45) **Date of Patent:** **\*\* May 10, 2011**

(54) **DREDGING VESSEL**

(75) Inventor: **Jan Maarten van Helden,**  
Bergschenhoek (NL)

(73) Assignee: **IHC Holland IE B.V.,** Sliedrecht (NL)

(\*\*) Term: **14 Years**

(21) Appl. No.: **29/308,381**

(22) Filed: **Jun. 13, 2008**

(30) **Foreign Application Priority Data**

Dec. 13, 2007 (EM) ..... 000842133-0001  
Dec. 13, 2007 (EM) ..... 000842133-0002  
Dec. 13, 2007 (EM) ..... 000842133-0003

(51) **LOC (9) Cl.** ..... **12-06**

(52) **U.S. Cl.** ..... **D12/300**

(58) **Field of Classification Search** ..... D12/300,  
D12/301, 310-314, 315, 317, 318; D21/542,  
D21/546; 414/137.1, 137.7, 137.8, 137.9,  
414/138.5, 138.7, 138.8, 140.1, 140.3, 140.4,  
414/142.6, 142.7, 803; 37/307, 309, 313,  
37/314-317, 345, 346; 114/260, 264, 61.1,  
114/72-76

See application file for complete search history.

(56) **References Cited**

**U.S. PATENT DOCUMENTS**

D197,868 S \* 3/1964 Thornton et al. .... D12/310  
3,279,407 A \* 10/1966 Stenger ..... D12/310  
3,698,573 A \* 10/1972 Wolters et al. .... 414/803

D238,418 S \* 1/1976 Chang et al. .... D12/310  
D243,445 S \* 2/1977 Khoury ..... D12/300  
RE29,167 E \* 4/1977 Lloyd, III ..... 114/264  
4,206,057 A \* 6/1980 Nieuwendijk ..... 414/137.7  
D290,351 S \* 6/1987 Caddick ..... D12/300  
5,111,763 A \* 5/1992 Moerbe ..... 114/61.1  
5,638,620 A \* 6/1997 Van Der Kooy ..... 37/316  
D404,003 S \* 1/1999 Barbier et al. .... D12/310  
D414,457 S \* 9/1999 Barbier et al. .... D12/315  
7,025,553 B1 \* 4/2006 Thomas et al. .... 414/137.7  
D522,440 S \* 6/2006 Brooks et al. .... D12/300  
D536,657 S \* 2/2007 Rohden et al. .... D12/300

\* cited by examiner

*Primary Examiner* — Cynthia M Chin

(74) *Attorney, Agent, or Firm* — Abelman, Frayne & Schwab

(57) **CLAIM**

The ornamental design for a dredging vessel, as shown and described.

**DESCRIPTION**

FIG. 1 is a top, front, right side perspective view of a dredging vessel showing my new design;  
FIG. 2 is a right side elevational view of the ship of FIG. 1;  
FIG. 3 is a left side elevational view thereof;  
FIG. 4 is a bottom plan view thereof;  
FIG. 5 is a top plan view thereof;  
FIG. 6 is a rear elevational view thereof; and,  
FIG. 7 is a front elevational view thereof.

The broken lines showing structural features in the drawings are included for the purpose of illustrating non-claimed subject matter and form no part of the claimed design.

**1 Claim, 7 Drawing Sheets**

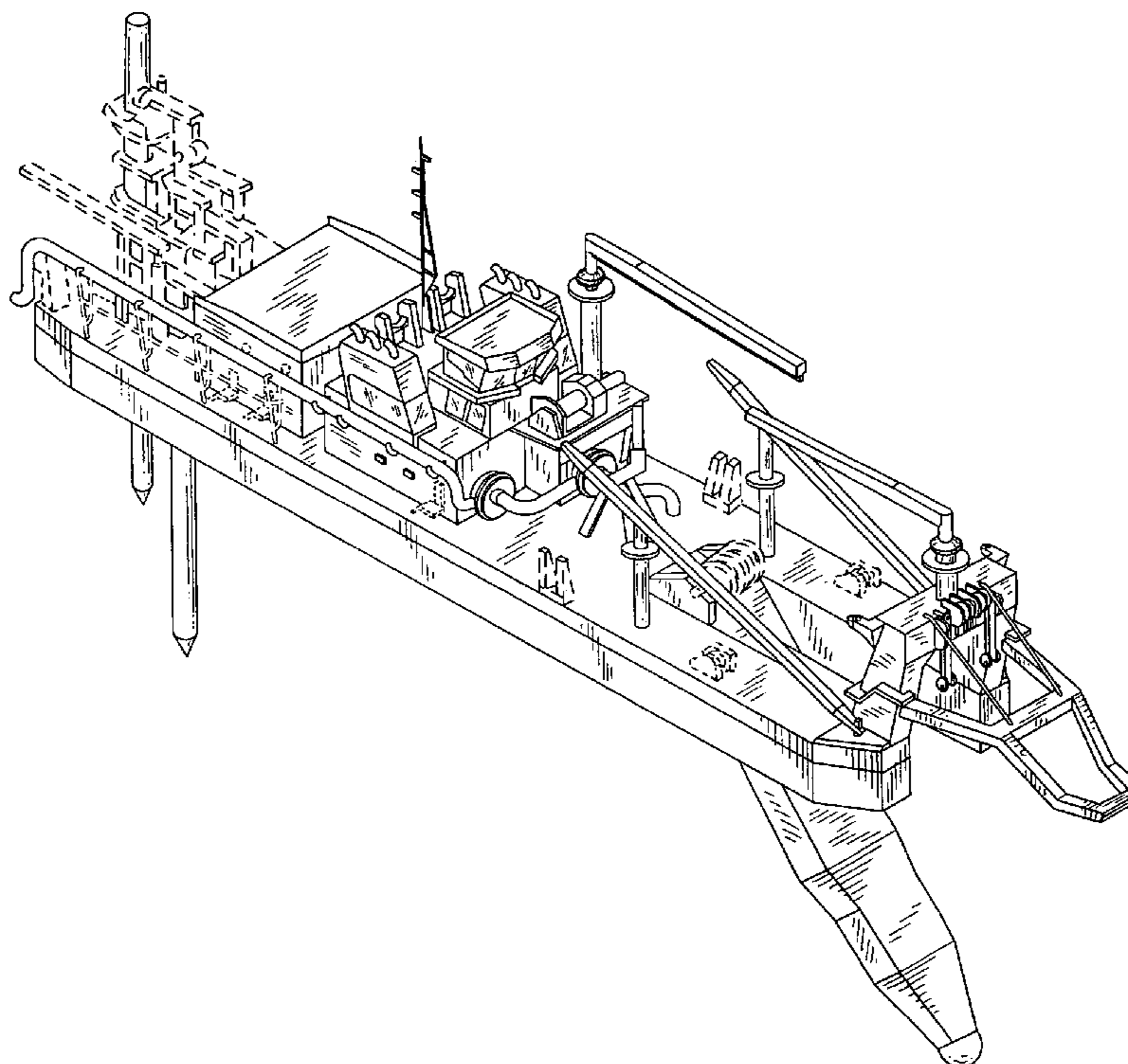


FIG. 1

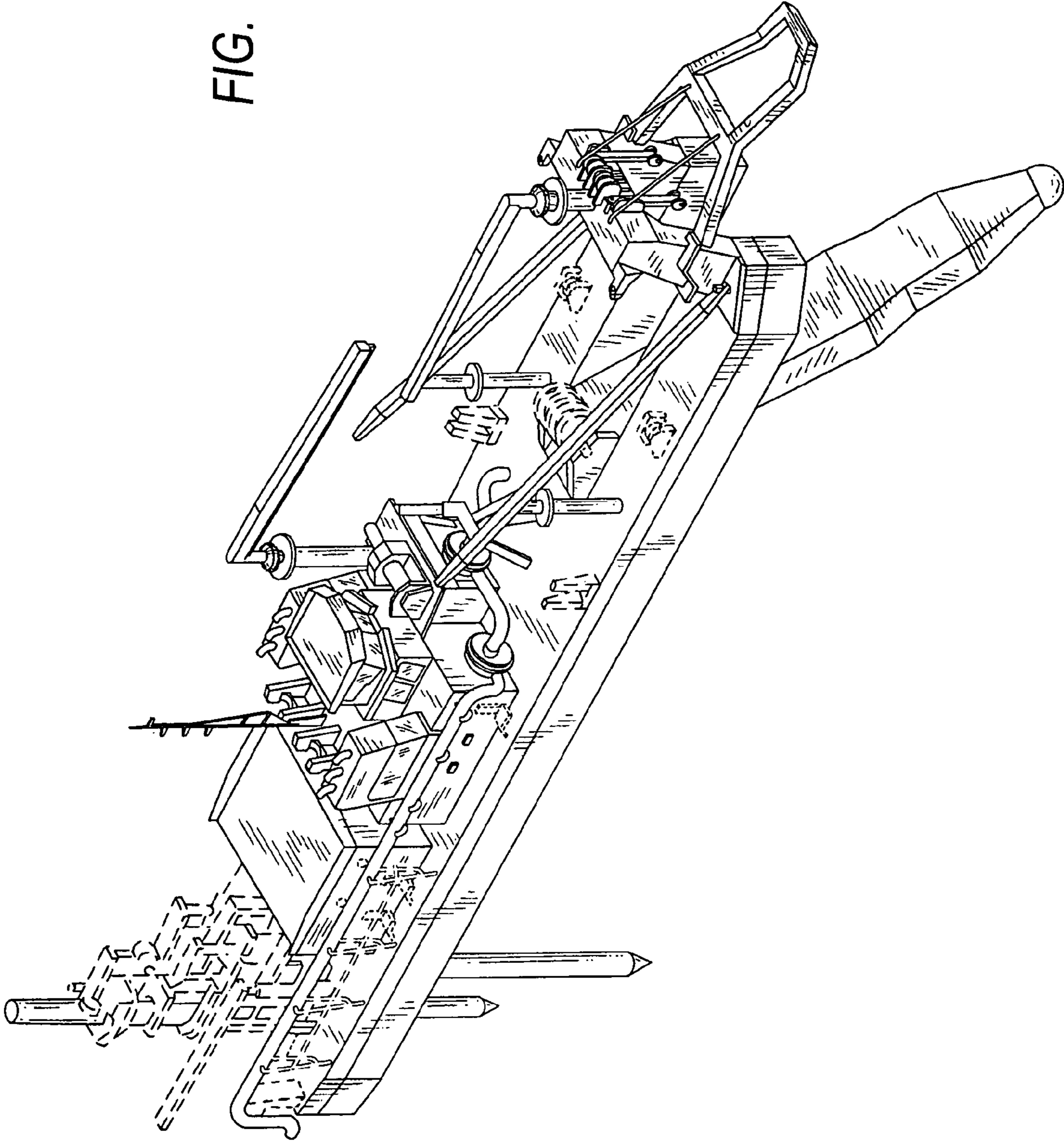
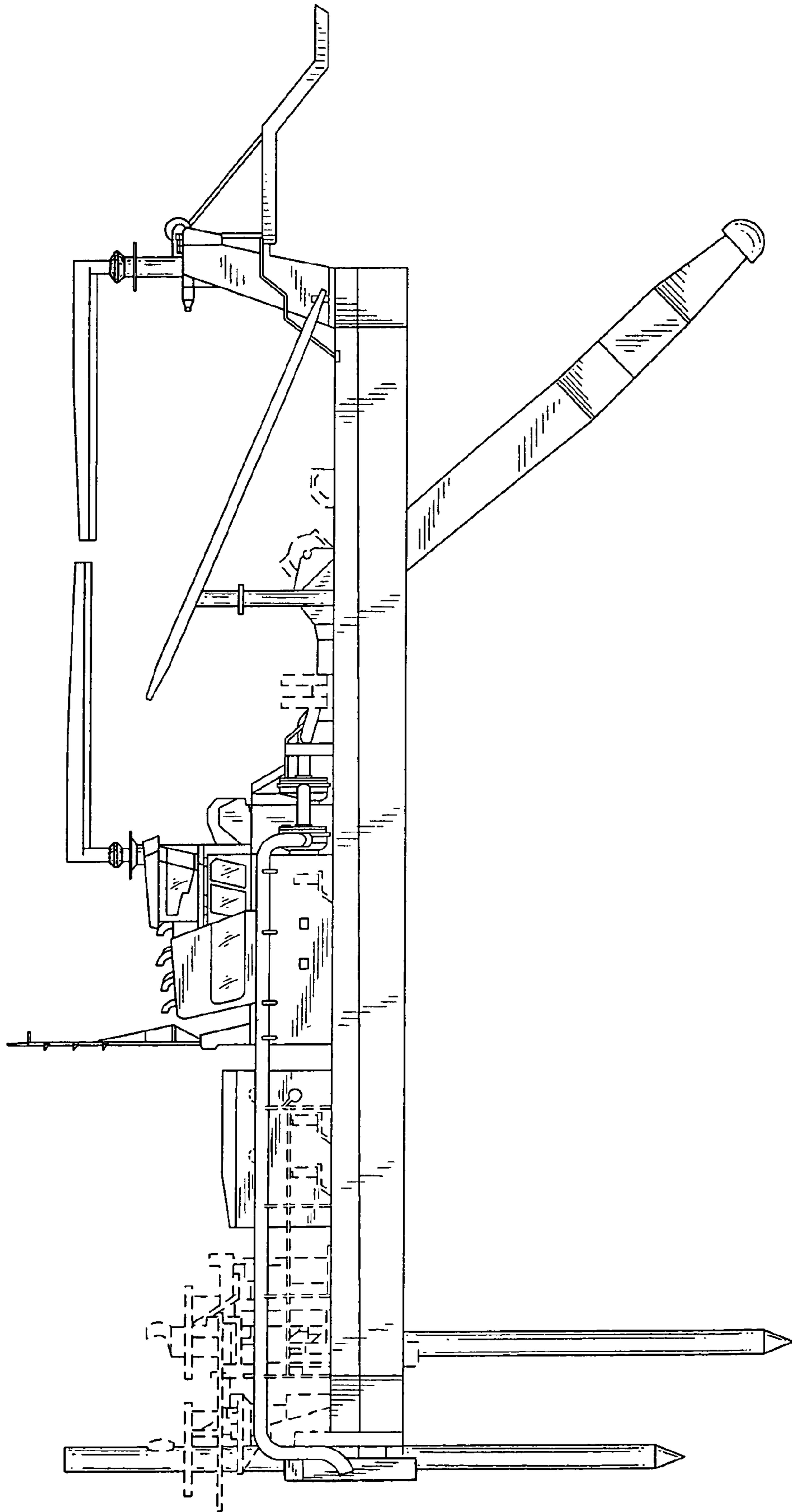


FIG. 2



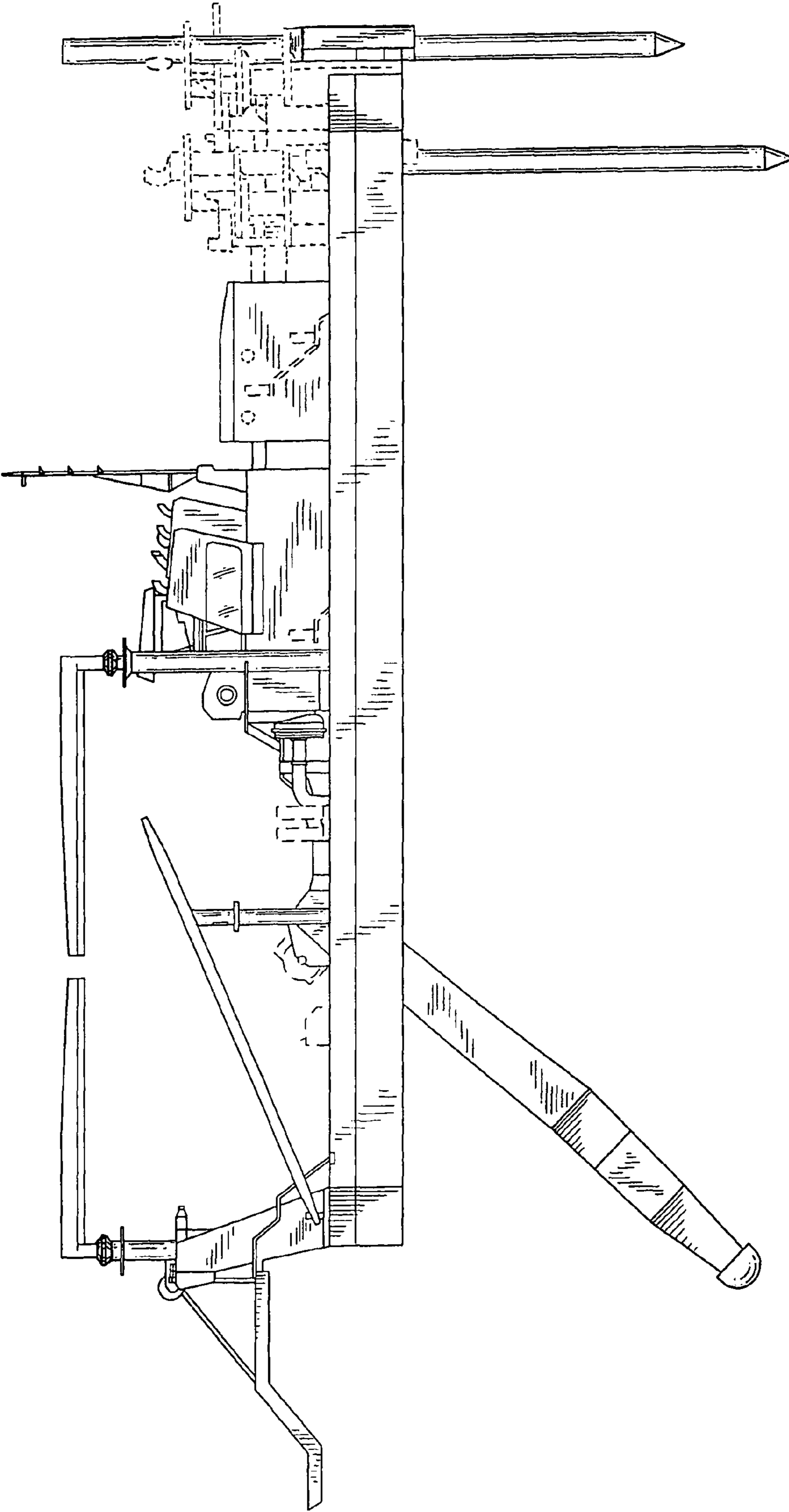


FIG. 3

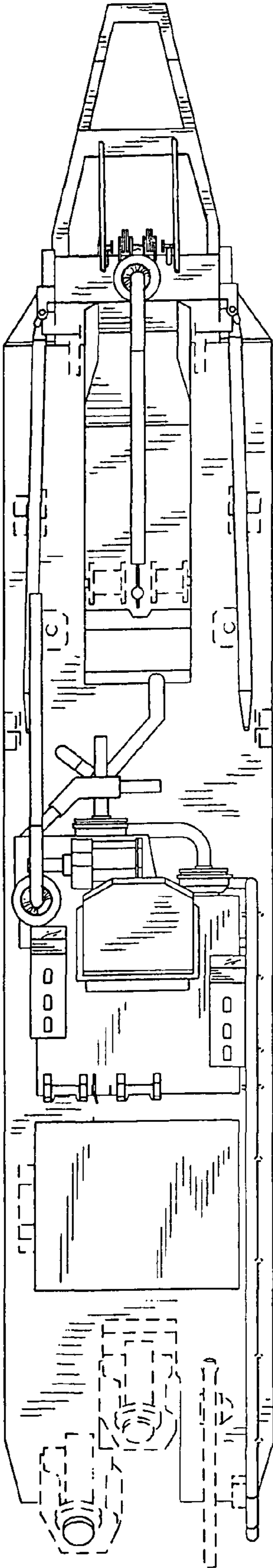
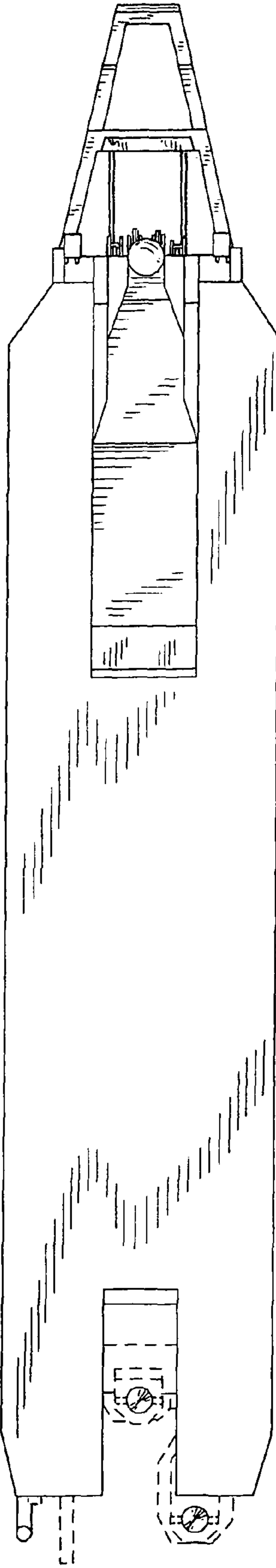


FIG. 4

FIG. 5



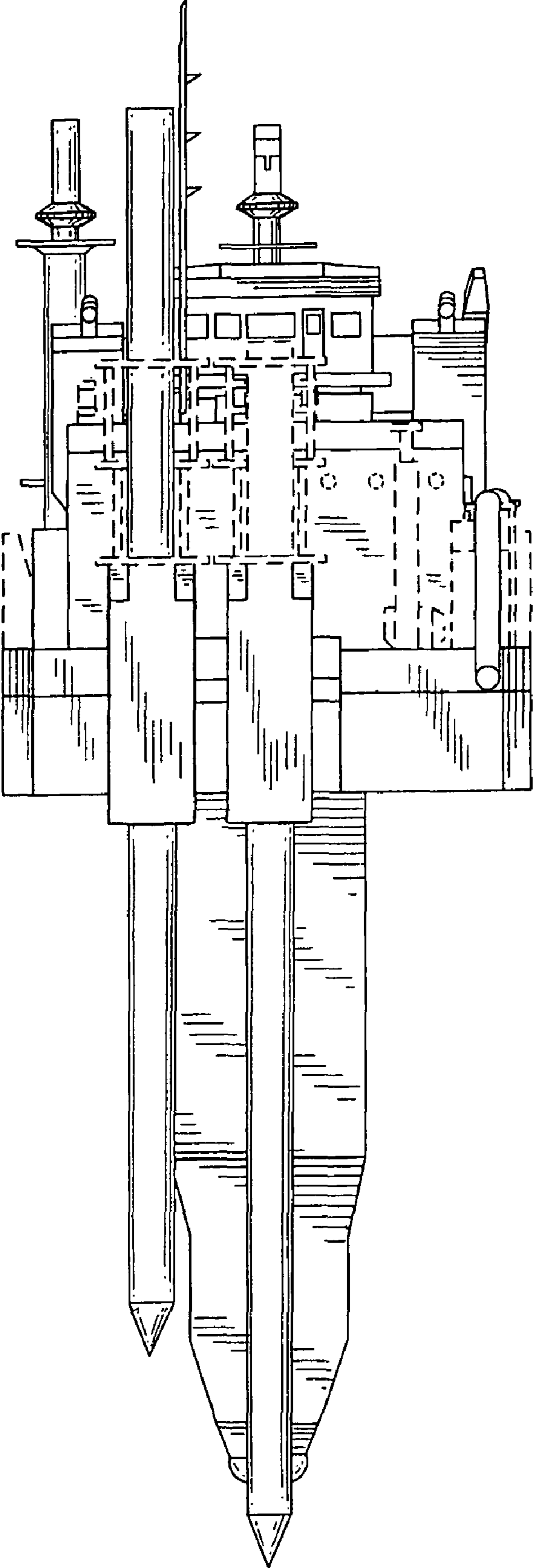


FIG. 6

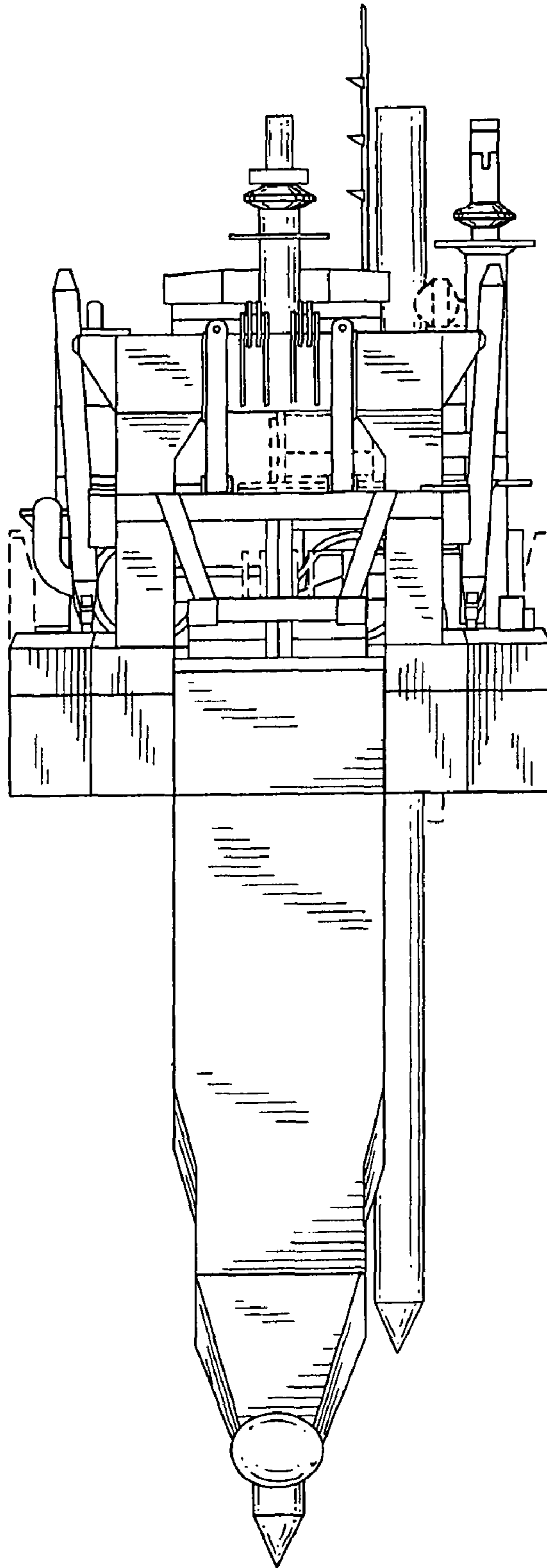


FIG. 7