



US00D637536S

(12) **United States Design Patent**
Peltola et al.

(10) **Patent No.:** **US D637,536 S**
(45) **Date of Patent:** **** May 10, 2011**

(54) **EXTENDER FOR SIDEWALL OF TRUCK ROOF**

(75) Inventors: **Wallace A. Peltola**, Sammamish, WA (US); **Jonathan Duncan**, Seattle, WA (US); **Gerald J. Angelo**, Bellevue, WA (US); **Alec C. Wong**, Bellevue, WA (US); **Mark Dyal**, Renton, WA (US)

(73) Assignee: **PACCAR Inc.**, Bellevue, WA (US)

(**) Term: **14 Years**

(21) Appl. No.: **29/360,599**

(22) Filed: **Apr. 28, 2010**

(51) **LOC (9) Cl.** **12-08**

(52) **U.S. Cl.** **D12/190**

(58) **Field of Classification Search** D12/190,
D12/181, 196, 400, 114, 86; 293/144, 102;
280/163, 164.1, 166, 169, 828, 848, 762,
280/153.5

See application file for complete search history.

(56) **References Cited**

U.S. PATENT DOCUMENTS

4,401,338 A	8/1983	Caldwell
4,408,792 A	10/1983	Sullivan
D291,872 S	9/1987	Simons
D291,982 S	9/1987	Simons
D307,731 S	5/1990	Kerney
D308,032 S	5/1990	Kerney
D311,506 S	10/1990	Marlowe
D311,712 S	10/1990	Marlowe
D314,163 S	1/1991	Harris
D329,214 S	9/1992	Marlowe
D335,855 S	5/1993	Callaway
D384,914 S	10/1997	Bingaman
D385,223 S	10/1997	Marlowe
D400,158 S	10/1998	Meryman
D411,140 S	6/1999	Meryman
D422,957 S	4/2000	Damon

(Continued)

OTHER PUBLICATIONS

“AeroCab,” Kenworth Truck Company, Kirkland, Washington, 1993, 6-page brochure.

(Continued)

Primary Examiner — Caron Veynar

Assistant Examiner — Katrina A Kile

(74) *Attorney, Agent, or Firm* — Christensen O’Connor Johnson Kindness PLLC

(57) **CLAIM**

The ornamental design for an extender for sidewall of truck roof, as shown and described.

DESCRIPTION

FIG. 1 is a rear perspective view of an extender for sidewall of truck roof for use on the right sidewall of a truck roof showing our new design, the second embodiment of an extender for sidewall of truck roof for use on the opposite side of a truck is a mirror symmetrical image that is not presently illustrated; FIG. 2 is a rear elevational view of the extender for sidewall of truck roof of FIG. 1;

FIG. 3 is a front elevational view of the extender for sidewall of truck roof of FIG. 1;

FIG. 4 is a top plan view of the extender for sidewall of truck roof of FIG. 1;

FIG. 5 is a bottom plan view of the extender for sidewall of truck roof of FIG. 1;

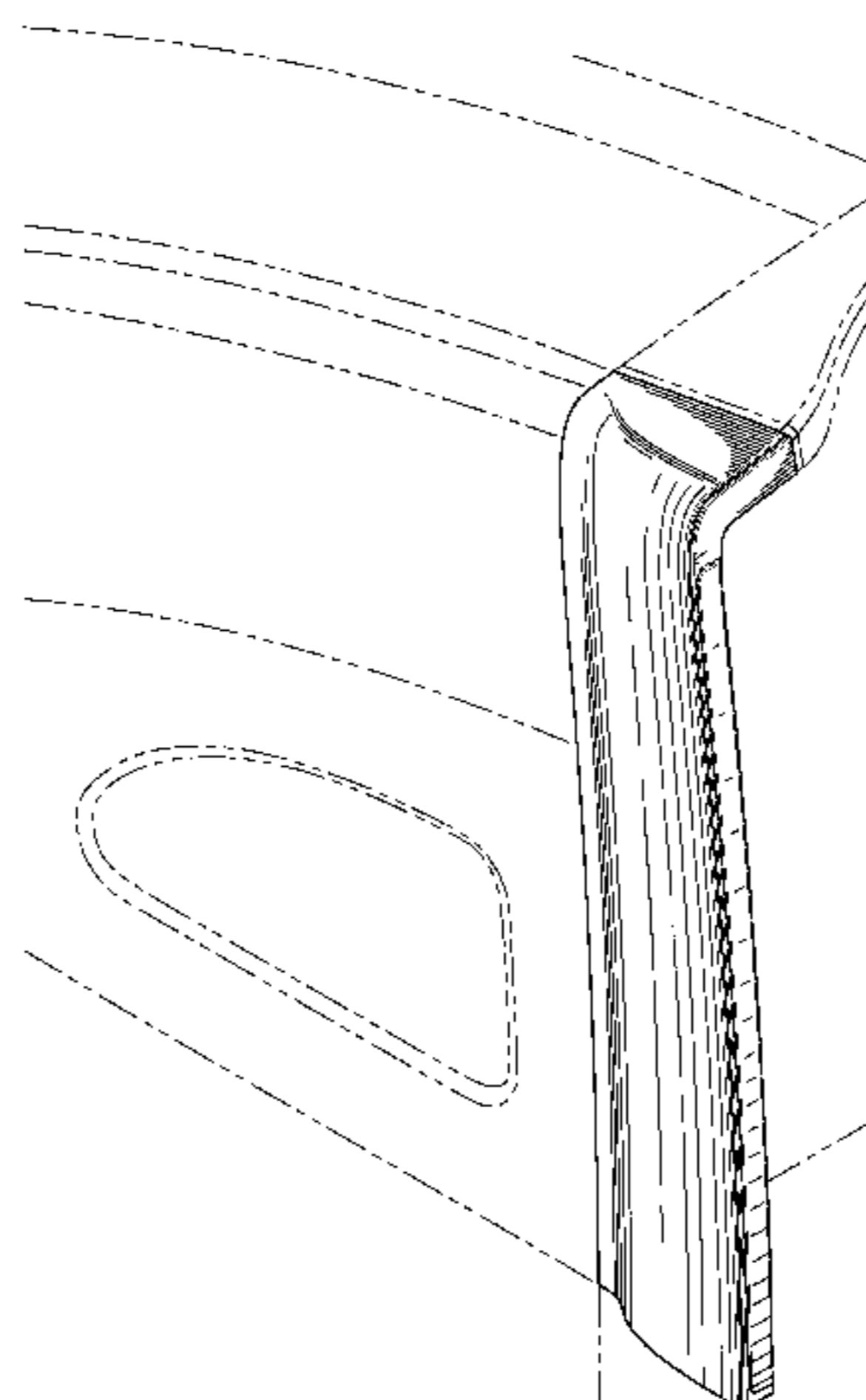
FIG. 6 is a left side elevational view of the extender for sidewall of truck roof of FIG. 1; and,

FIG. 7 is a right side elevational view of the extender for sidewall of truck roof of FIG. 1.

The broken line showing of a portion of a truck roof is for the purpose of illustrating environmental structure and forms no part of the claimed design.

The extender for sidewall of truck roof shown in FIGS. 1-7 illustrates a first embodiment of our novel design suitable for use on the right sidewall of a truck roof. Our novel design also includes a second embodiment suitable for use on the left sidewall of the truck roof, which is mirror symmetrical to FIGS. 1-7 and, therefore, is not separately illustrated.

1 Claim, 5 Drawing Sheets



U.S. PATENT DOCUMENTS

D423,990	S	5/2000	Meryman	
D424,495	S	5/2000	Damon	
D424,496	S	5/2000	Damon	
D431,511	S *	10/2000	Damon et al.	D12/196
D436,335	S	1/2001	Beigel	
D436,894	S	1/2001	Barraclough	
D437,258	S	2/2001	Meryman	
D460,023	S	7/2002	Beigel	
D584,668	S *	1/2009	Raghavendran et al.	D12/184
D585,005	S *	1/2009	Medina et al.	D12/196
D585,006	S *	1/2009	Medina et al.	D12/196
D597,908	S *	8/2009	Raghavendran et al.	D12/181
D614,102	S *	4/2010	Raghavendran et al.	D12/190
D623,103	S *	9/2010	Braga	D12/181

OTHER PUBLICATIONS

“AeroCab,” Kenworth Truck Company, Kirkland, Washington, as early as 1995, 3-page brochure.

“C500B,” Kenworth Truck Company, Kirkland, Washington, as early as 1990, 4-page brochure.

“Cabovers,” Peterbilt Motors Company, Newark, California, as early as 2000, 7 page brochure.

“Class Pays, Construction Trucks,” Peterbilt Motors Company, Denton, Texas, Nov. 2003, 16-page brochure.

“Class Pays, Ergonomic Dash,” Peterbilt Motors Company, Denton, Texas, Mar. 2000, 2 page brochure.

“Class Pays, Medium Duty,” Peterbilt Motors Company, Denton, Texas, Sep. 2000, 12-page brochure.

“Class Pays, Platinum Interior,” Peterbilt Motors Company, Denton, Texas, May 2005, 4 page brochure.

“Class Pays, Refuse Trucks,” Peterbilt Motors Company, Denton, Texas, Sep. 2003, 2 page brochure.

“Class Pays, Truck Models,” Peterbilt Motors Company, Denton, Texas, Mar. 2005, 24-page brochure.

“Class Pays,” Peterbilt Motors Company, Denton, Texas, Nov. 1998, 10 page brochure.

“Class Pays,” Peterbilt Motors Company, Denton, Texas, Sep. 1997, 10-page brochure.

“Construction Trucks,” Canadian Kenworth Truck, Mississauga, Ontario, Canada, Jul. 1990, 16-page brochure.

“Interiors,” Kenworth Truck Company, Kirkland, Washington, 2005, 16-page brochure.

“K100E,” Kenworth Truck Company, Kirkland, Washington, 1984, 8-page brochure.

“Model 320,” Peterbilt Motors Company, Denton, Texas, May 1996, 2 page brochure.

“Model 330,” Peterbilt Motors Company, Denton, Texas, Oct. 1997, 3 page brochure.

“Model 357 Heavy Haul,” Peterbilt Motors Company, Denton, Texas, Mar. 2005, 2 page brochure.

“Model 357 Standard Specifications,” Peterbilt Motors Company, Newark, California, Sep. 1986, 6 page brochure.

“Model 357, New Sloped Hood,” Peterbilt Motors Company, Denton, Texas, May 2002, 2 page brochure.

“Model 357,” Peterbilt Motors Company, Denton, Texas, May 1994, 3-page brochure.

“Model 357-115,” Peterbilt Motors Company, Denton, Texas, Mar. 2005, 2 page brochure.

“Model 362,” Peterbilt Motors Company, Newark, California, 1985, 8-page brochure.

“Model 375 Standard Specifications,” Peterbilt Motors Company, Newark, California, Sep. 1986, 6 page brochure.

“Model 377A/E,” Peterbilt Motors Company, Denton, Texas, Aug. 1997, 2-page brochure.

“Model 377A/E,” Peterbilt Motors Company, Denton, Texas, Jan. 1995, 6-page brochure.

“Model 378,” Peterbilt Motors Company, Denton, Texas, Mar. 1998, 3-page brochure.

“Model 379,” Peterbilt Motors Company, Denton, Texas, Apr. 2005, 2-page brochure.

“Model 379,” Peterbilt Motors Company, Denton, Texas, Mar. 1996, 5-page brochure.

“Model 385,” Peterbilt Motors Company, Denton, Texas, Oct. 1996, 5 page brochure.

“Model 387,” Peterbilt Motors Company, Denton, Texas, Oct. 2002, 2-page brochure.

“Peterbilt Parts & Accessories,” Peterbilt Motors Company, Denton, Texas, catalog, as early as 2000, 52-page brochure.

“Rest with Class,” Peterbilt Motors Company, Newark, California, Apr. 1978, 4-page brochure.

“Studio Sleeper,” Kenworth Truck Company, Kirkland, Washington, 1993, 5-page brochure.

“T2000,” Kenworth Truck Company, Kirkland, Washington, 1999, 20-page brochure.

“T2000,” Kenworth Truck Company, Kirkland, Washington, 2002, 20-page brochure.

“T2000,” Kenworth Truck Company, Kirkland, Washington, 2005, 20-page brochure.

“T270 Class 6 and T370 Class 7,” Kenworth Truck Company, Kirkland, Washington, 2008, 6-page brochure.

“T300,” Kenworth Truck Company, Kirkland, Washington, 1994, 4-page brochure.

“T300,” Kenworth Truck Company, Kirkland, Washington, 1997, 5-page brochure.

“T300,” Kenworth Truck Company, Kirkland, Washington, 2001, 16-page brochure.

“T300,” Kenworth Truck Company, Kirkland, Washington, 2005, 16-page brochure.

“T400B and T450B,” Kenworth Truck Company, Kirkland, Washington, 1992, 10-page brochure.

“T440,” Kenworth Truck Company, Kirkland, Washington, 2010, 2-page brochure.

“T470H,” Kenworth Truck Company, Kirkland, Washington, 2009, 2-page brochure.

“T600, Ten Years of Innovation,” Kenworth Truck Company, Kirkland, Washington, 1995, 6-page brochure.

“T600,” Kenworth Truck Company, Kirkland, Washington, 1996, 7-page brochure.

“T600,” Kenworth Truck Company, Kirkland, Washington, 2002, 28-page brochure.

“T600,” Kenworth Truck Company, Kirkland, Washington, 2005, 24-page brochure.

“T600A,” Kenworth Truck Company, Kirkland, Washington, 1985, 10-page brochure.

“T660,” Kenworth Truck Company, Kirkland, Washington, 2007, 36-page brochure.

“T800,” Kenworth Truck Company, Kirkland, Washington, 1996, 7-page brochure.

“T800,” Kenworth Truck Company, Kirkland, Washington, 2002, 32-page brochure.

“T800,” Kenworth Truck Company, Kirkland, Washington, 2003, 32-page brochure.

“T800,” Kenworth Truck Company, Kirkland, Washington, 2005, 28-page brochure.

“T800B,” Kenworth Truck Company, Kirkland, Washington, 1993, 8-page brochure.

“The Working Class,” Peterbilt Motors Company, Newark, California, Sep. 1976, 6 page brochure.

“The World’s Best,” Kenworth Truck Company, Kirkland, Washington, 1992, 12-page brochure.

“Unibilt™ Cab Sleeper System,” Peterbilt Motors Company, Denton Texas, Aug. 1994, 6 page brochure.

“W900,” Kenworth Truck Company, Kirkland, Washington, 1996, 7-page brochure.

“W900,” Kenworth Truck Company, Kirkland, Washington, 2002, 32-page brochure.

“W900,” Kenworth Truck Company, Kirkland, Washington, 2005, 28-page brochure.

“W900L Aero Cab,” Kenworth Truck Company, Kirkland, Washington, 1994, 2-page brochure.

* cited by examiner

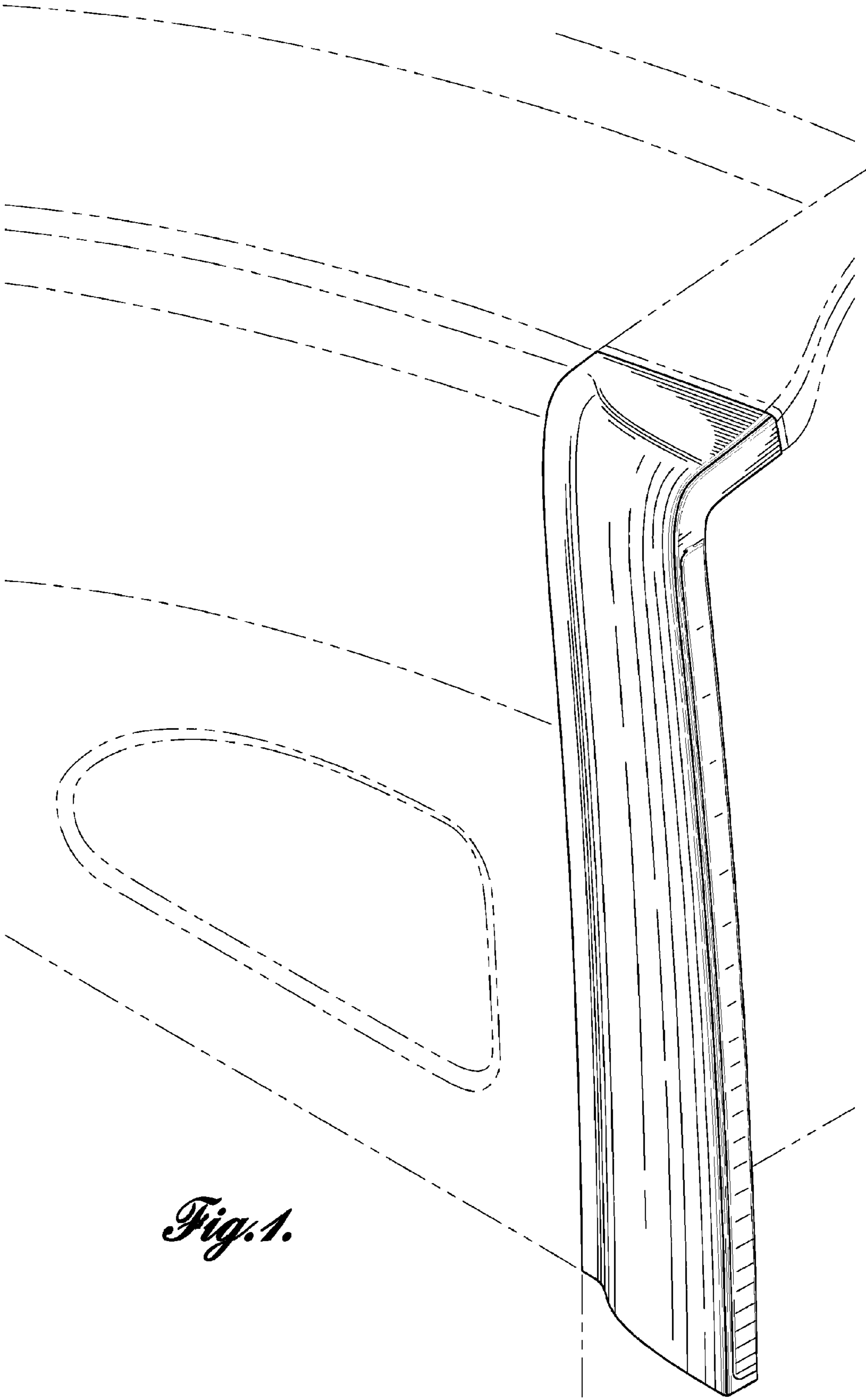


Fig. 1.



Fig. 2.

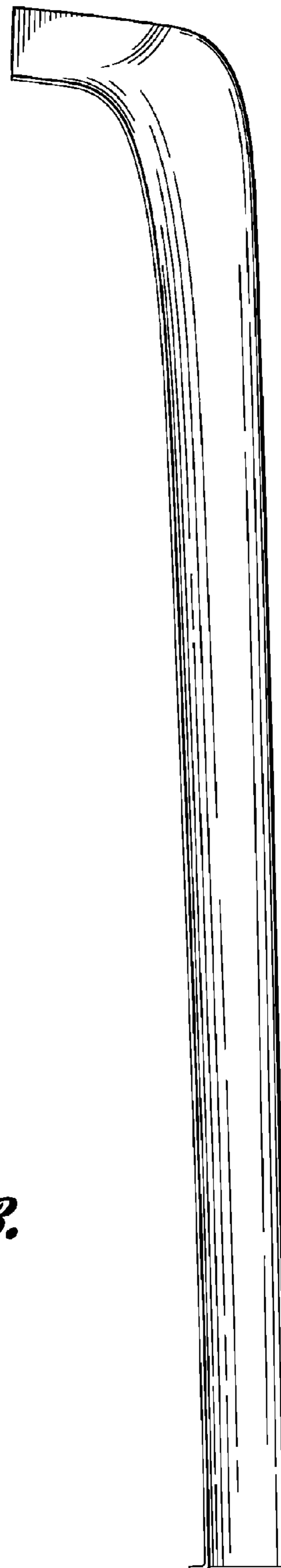


Fig. 3.

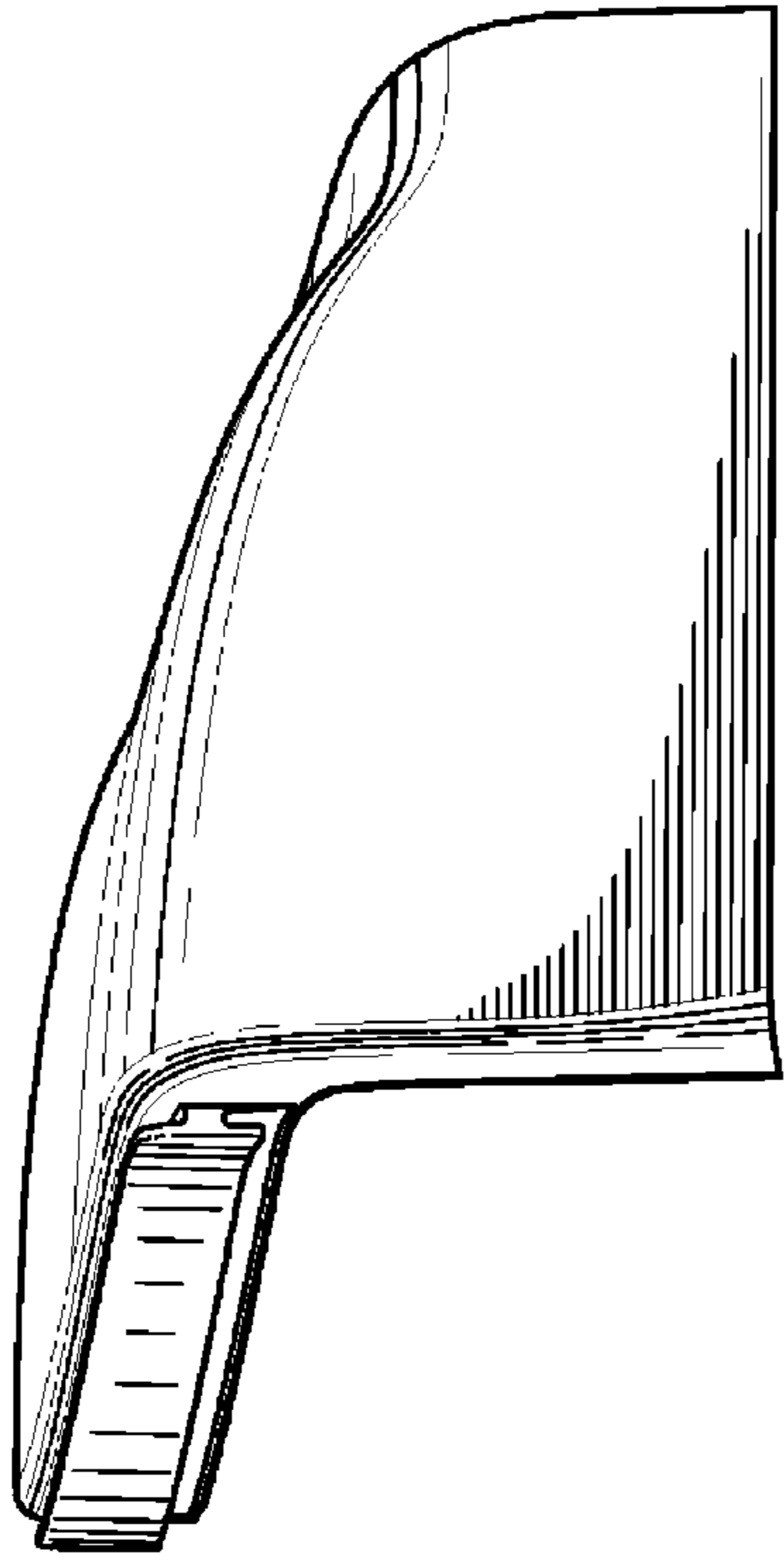


Fig. 4.

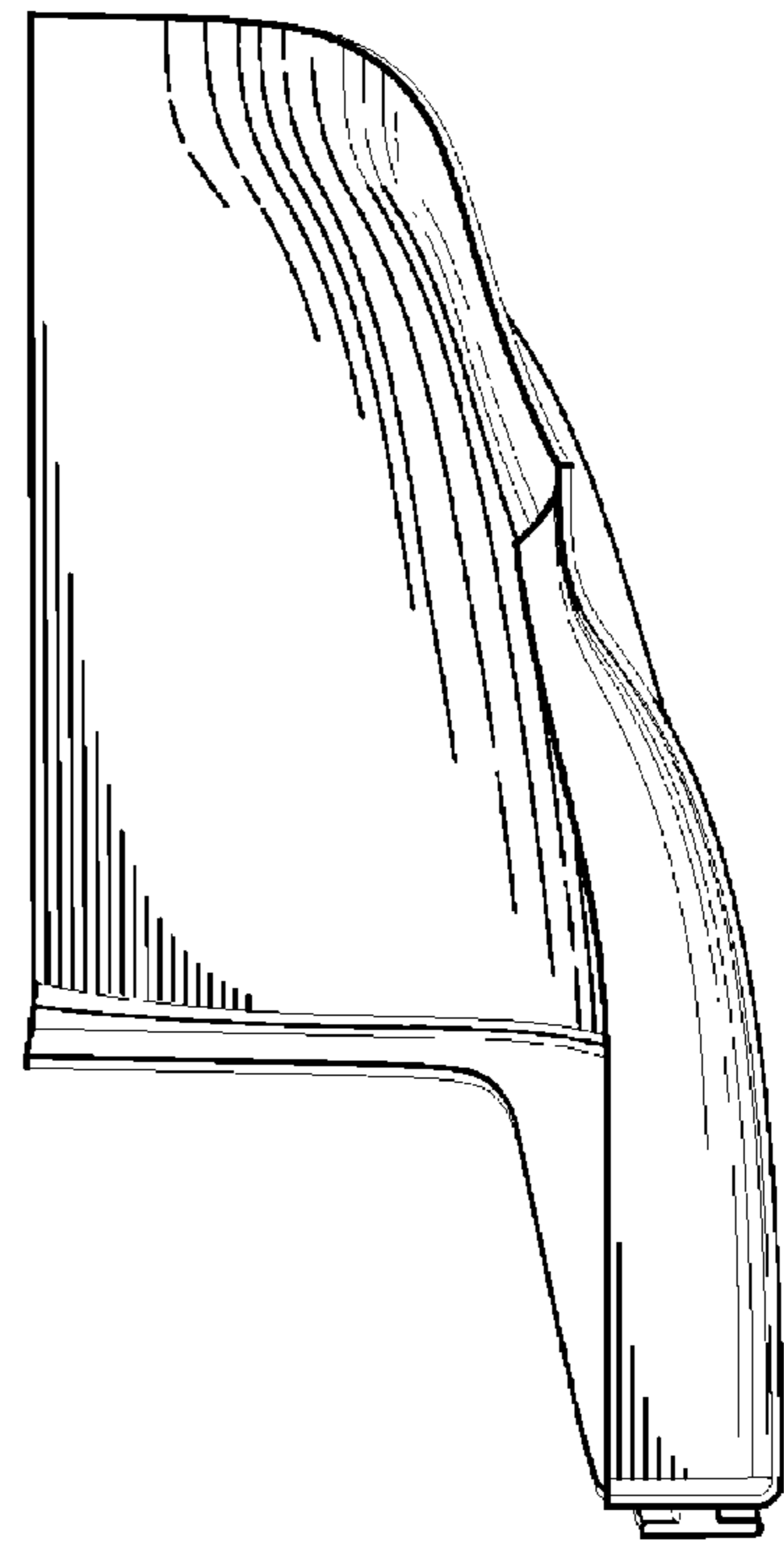


Fig. 5.

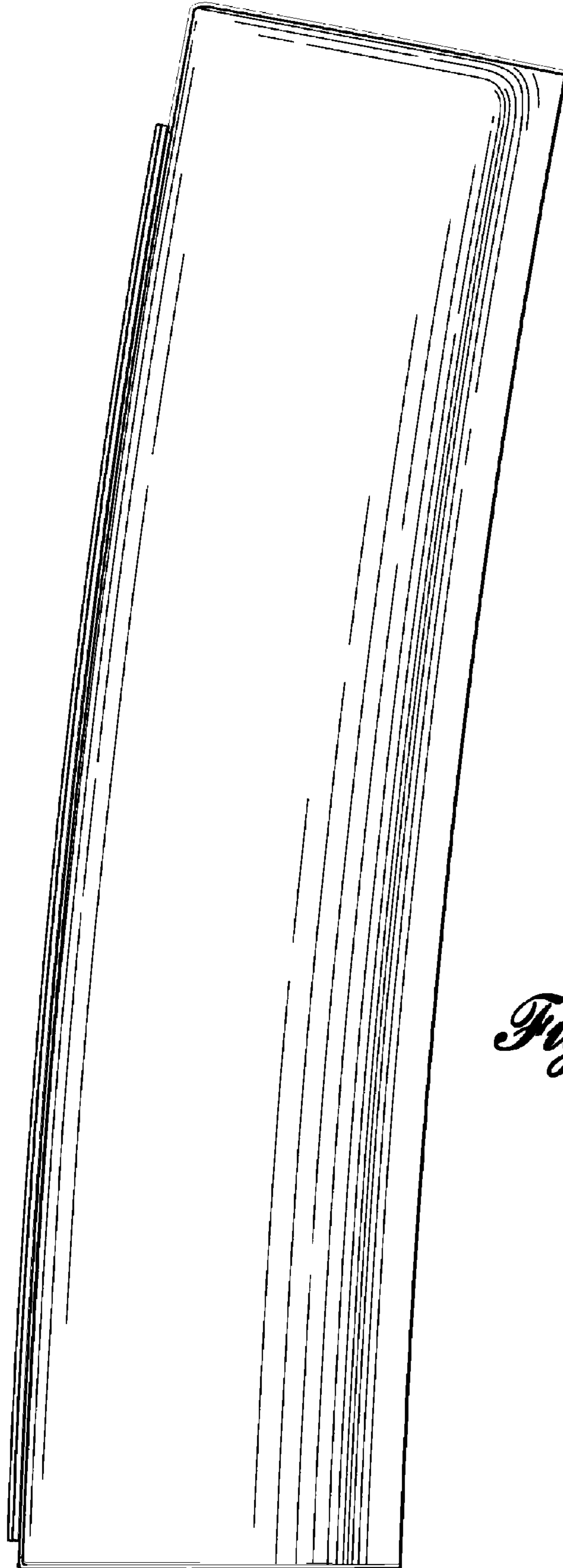


Fig. 6.



Fig. 7.

UNITED STATES PATENT AND TRADEMARK OFFICE
CERTIFICATE OF CORRECTION

PATENT NO. : D637,536 S
APPLICATION NO. : 29/360599
DATED : May 10, 2011
INVENTOR(S) : W. A. Peltola et al.

Page 1 of 1

It is certified that error appears in the above-identified patent and that said Letters Patent is hereby corrected as shown below:

<u>COLUMN</u>	<u>LINE</u>	<u>ERROR</u>
(73) Title Pg. 1, col. 1	Assignee	“PACCAR Inc.,” should read --PACCAR Inc--

Signed and Sealed this
Eleventh Day of June, 2013



Teresa Stanek Rea
Acting Director of the United States Patent and Trademark Office