



US00D637531S

(12) **United States Design Patent**
Miyazawa

(10) **Patent No.:** **US D637,531 S**

(45) **Date of Patent:** **** May 10, 2011**

(54) **GRILL FOR AUTOMOBILE**

(75) Inventor: **Takuya Miyazawa**, Wako (JP)

(73) Assignee: **Honda Motor Co., Ltd.**, Tokyo (JP)

(**) Term: **14 Years**

(21) Appl. No.: **29/375,135**

(22) Filed: **Sep. 17, 2010**

(30) **Foreign Application Priority Data**

Mar. 19, 2010 (JP) 2010-006817

(51) **LOC (9) Cl.** **12-16**

(52) **U.S. Cl.** **D12/163**

(58) **Field of Classification Search** D12/163,
D12/196, 171, 169, 216, 90-92, 86; 180/68.1,
180/68.6; 296/193.11

See application file for complete search history.

(56) **References Cited**

U.S. PATENT DOCUMENTS

D558,104 S * 12/2007 Hieke D12/163
D562,192 S * 2/2008 Kushima et al. D12/163
D571,692 S * 6/2008 Hayashi D12/163
D575,687 S * 8/2008 Hatake D12/163

D575,689 S * 8/2008 Chang et al. D12/163
D579,829 S * 11/2008 Hokao et al. D12/163
D583,722 S * 12/2008 Sonoda et al. D12/163
D597,452 S * 8/2009 Nakajima et al. D12/163
D603,763 S * 11/2009 Lamm D12/163
D605,094 S * 12/2009 Bennett et al. D12/163
D614,543 S * 4/2010 Kitazumi et al. D12/163
D616,341 S * 5/2010 Fukui et al. D12/163
D625,670 S * 10/2010 Roller et al. D12/163

* cited by examiner

Primary Examiner — Melody N Brown

(74) *Attorney, Agent, or Firm* — Birch, Stewart, Kolasch & Birch, LLP

(57) **CLAIM**

The ornamental design for a grill for automobile, as shown and described.

DESCRIPTION

FIG. 1 is a perspective view from the front and left side of a grill for automobile.

FIG. 2 is a front elevation view thereof.

FIG. 3 is a top plan view thereof; and,

FIG. 4 is a right side elevation view thereof.

The portion of the grill shown in broken lines is for the purpose of showing background structure only and forms no part of the claimed design.

1 Claim, 4 Drawing Sheets

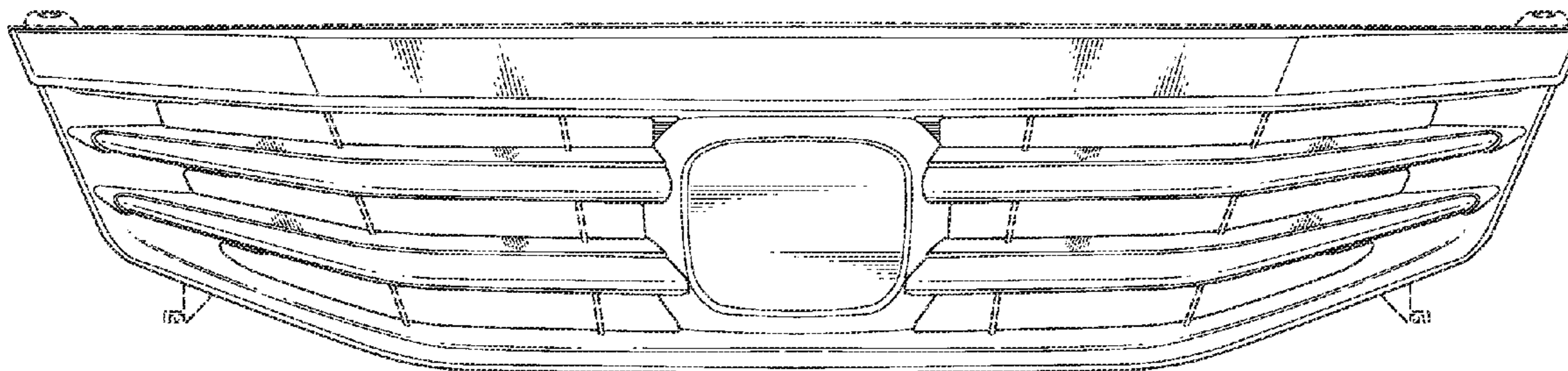


FIG. 1

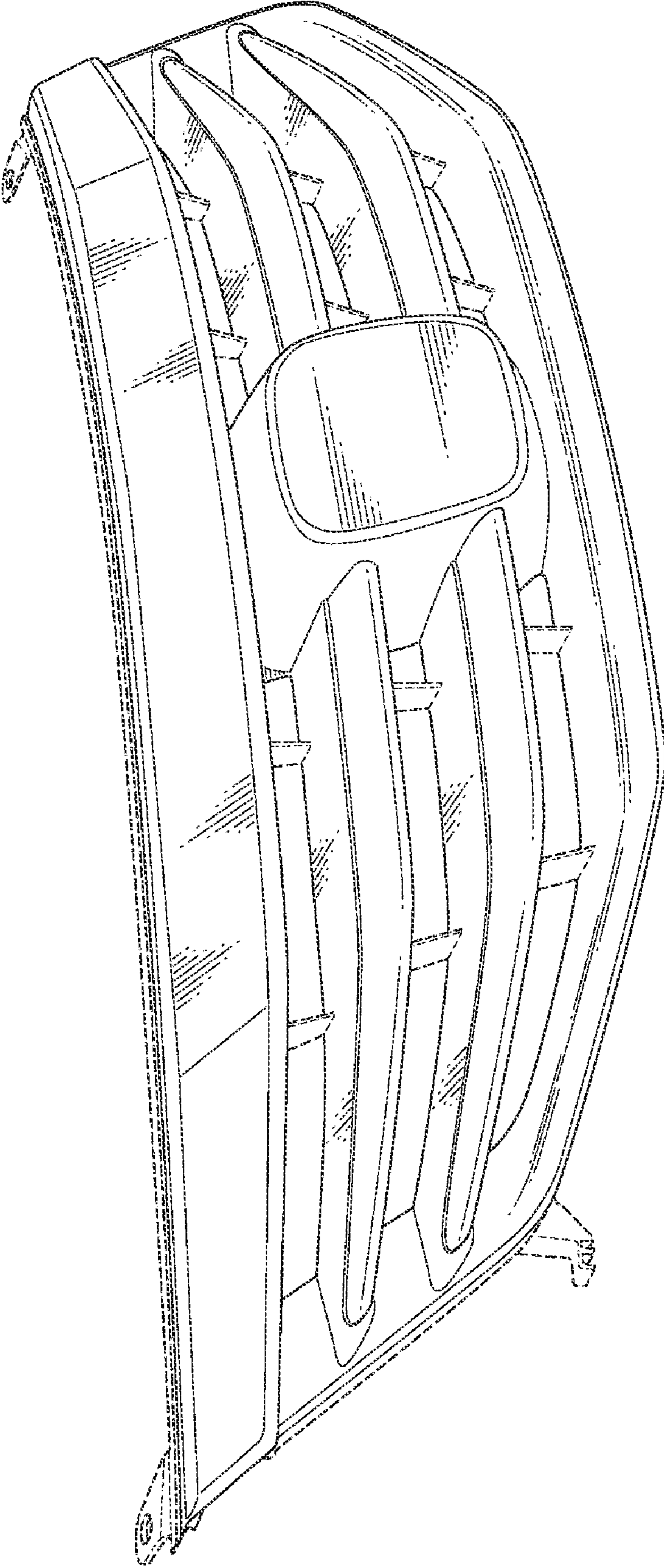


FIG. 2

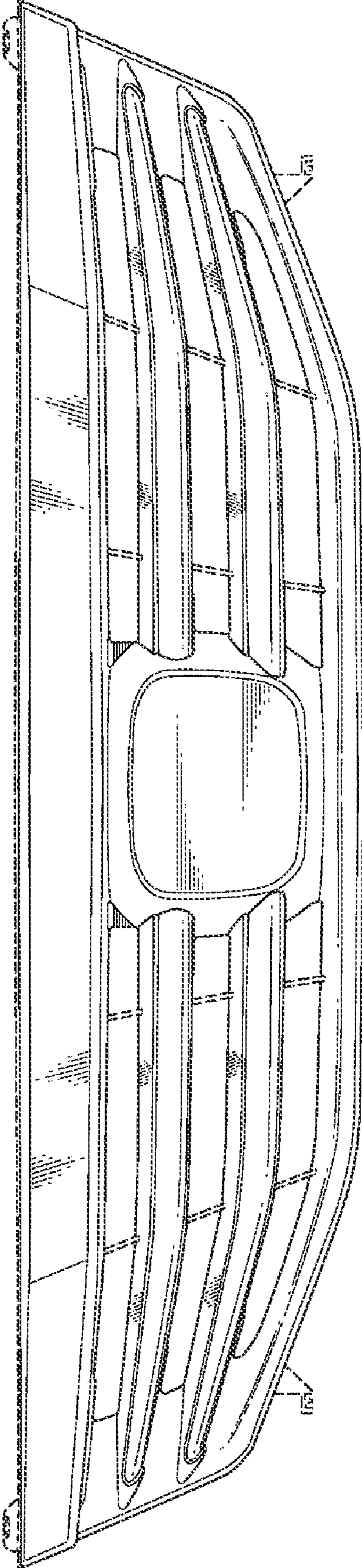


FIG. 3

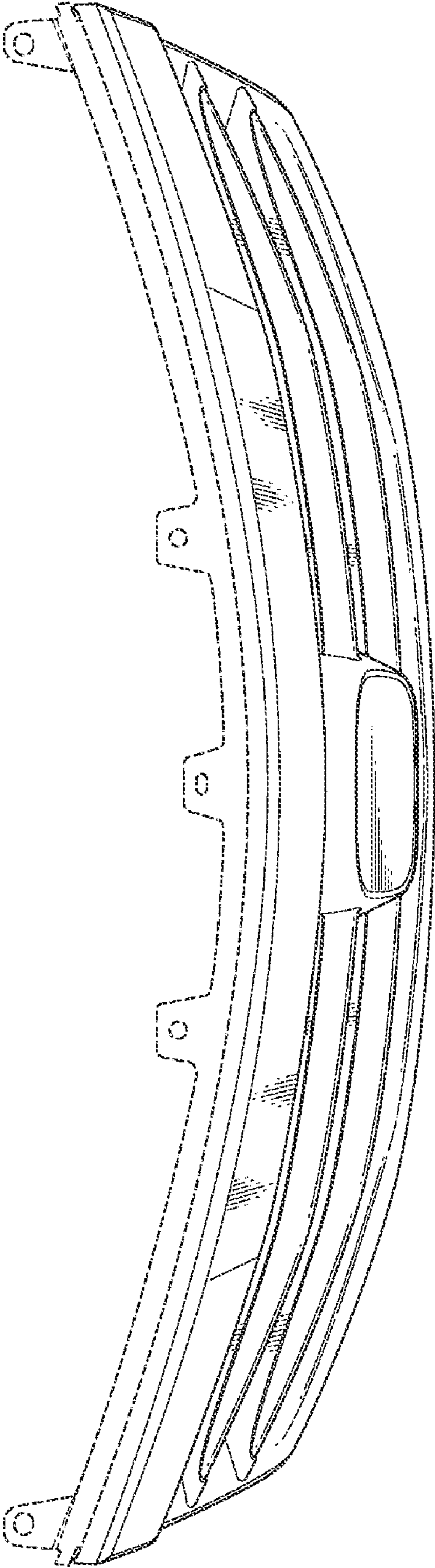


FIG. 4

