



US00D637529S

(12) **United States Design Patent**  
**Burns et al.**

(10) **Patent No.:** **US D637,529 S**

(45) **Date of Patent:** **\*\* May 10, 2011**

(54) **FRAME GRILL PLATE FOR A MOTORCYCLE**

7,464,954 B2 \* 12/2008 Grow ..... 280/304.3  
D624,854 S \* 10/2010 Burns et al. .... D12/126  
2009/0051140 A1 \* 2/2009 Saguchi ..... 280/304.3

(76) Inventors: **James Cleveland Burns**, Lavergne, TN (US); **David Burns**, Lavergne, TN (US)

**OTHER PUBLICATIONS**

2007 J & P Cycles® Keeping the World on 2 Wheels® Metric Cruiser Catalog, Radiator Grills and Covers on p. 178.\*

(\*\*) **Term:** **14 Years**

\* cited by examiner

(21) **Appl. No.:** **29/370,141**

(22) **Filed:** **Jun. 10, 2010**

*Primary Examiner* — Susan M Lee

*Assistant Examiner* — Linda G Brooks

(51) **LOC (9) Cl.** ..... **12-11**

(52) **U.S. Cl.** ..... **D12/126**

(74) *Attorney, Agent, or Firm* — Gary K. Price

(58) **Field of Classification Search** ..... D12/163–172, D12/181, 184–186, 196, 127, 117, 118, 110, D12/111, 114, 126, 223; 280/304.3, 847, 280/848, 850–852, 276, 279, 160.1, 288.4; 296/95.1, 199, 204; 180/219, 220

(57) **CLAIM**

The ornamental design for a frame grill plate for a motorcycle, as shown and described.

See application file for complete search history.

**DESCRIPTION**

(56) **References Cited**

**U.S. PATENT DOCUMENTS**

1,422,632	A *	7/1922	Stendel	.....	180/219
D252,923	S *	9/1979	Montenare	.....	D12/186
D274,803	S *	7/1984	Hughes	.....	D12/126
D290,832	S *	7/1987	Mayhugh	.....	D12/181
D313,774	S *	1/1991	Hauer	.....	D12/126
5,183,281	A *	2/1993	Stephens	.....	280/279
D359,820	S *	6/1995	Thumb et al.	.....	D29/100
D545,255	S *	6/2007	Angelo et al.	.....	D12/184

FIG. 1 is a perspective view of a frame grill plate for a motorcycle showing our new design, with the broken lines showing environmental structure that forms no part of the claimed design.

FIG. 2 is a perspective view thereof.

FIG. 3 is a front view of the article in an upright position; and, FIG. 4 is a back perspective view thereof.

**1 Claim, 4 Drawing Sheets**

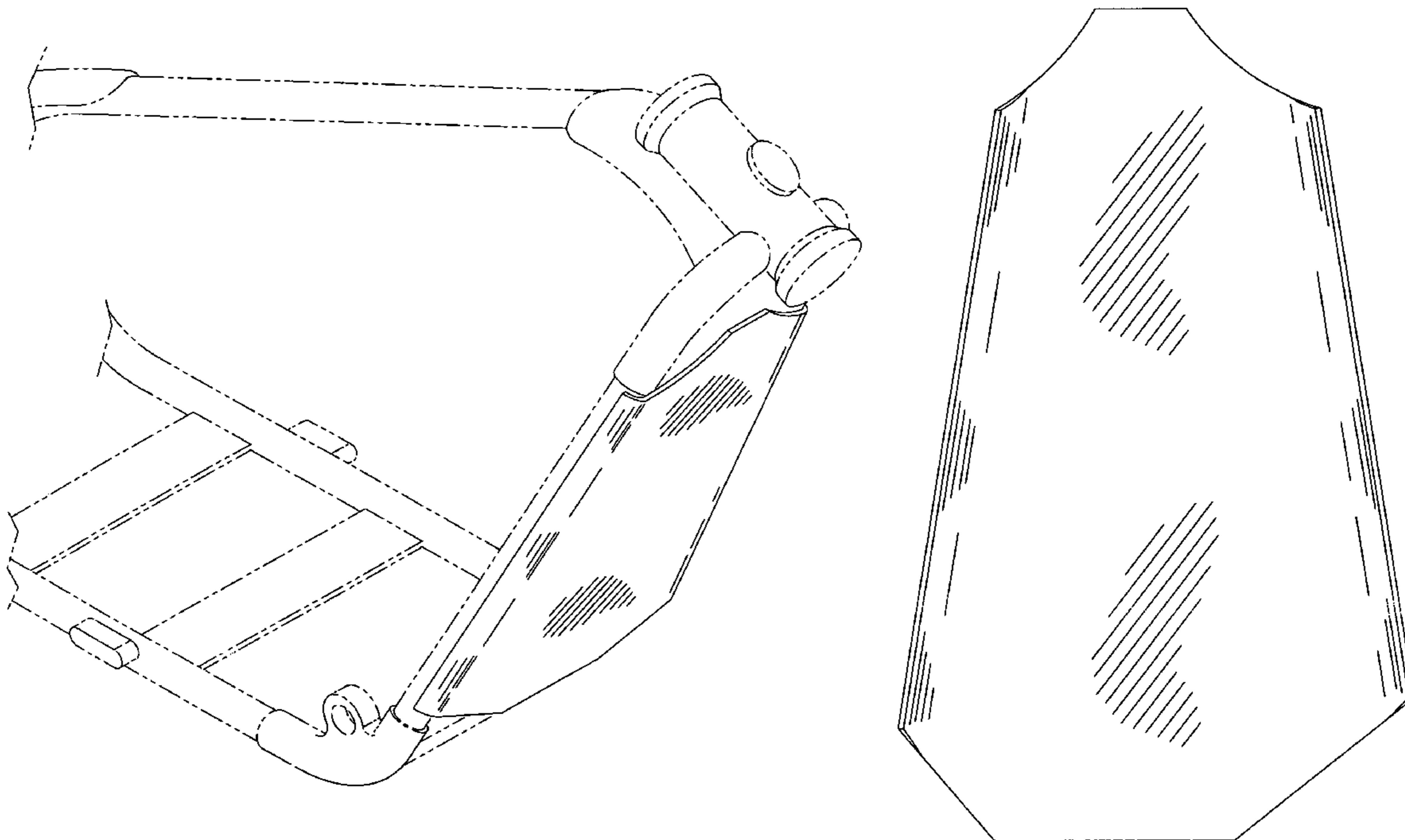


FIG 1

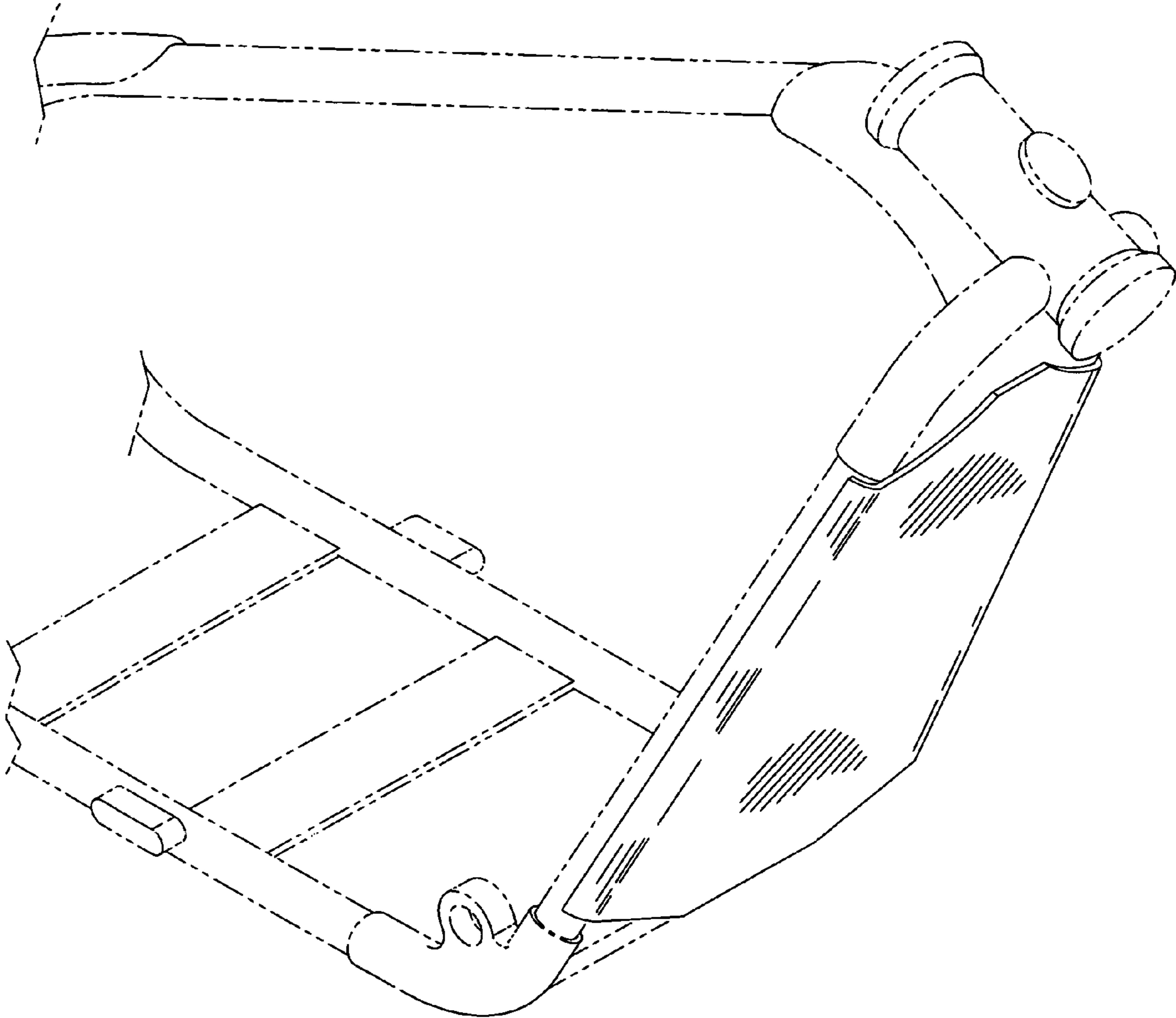


FIG 2

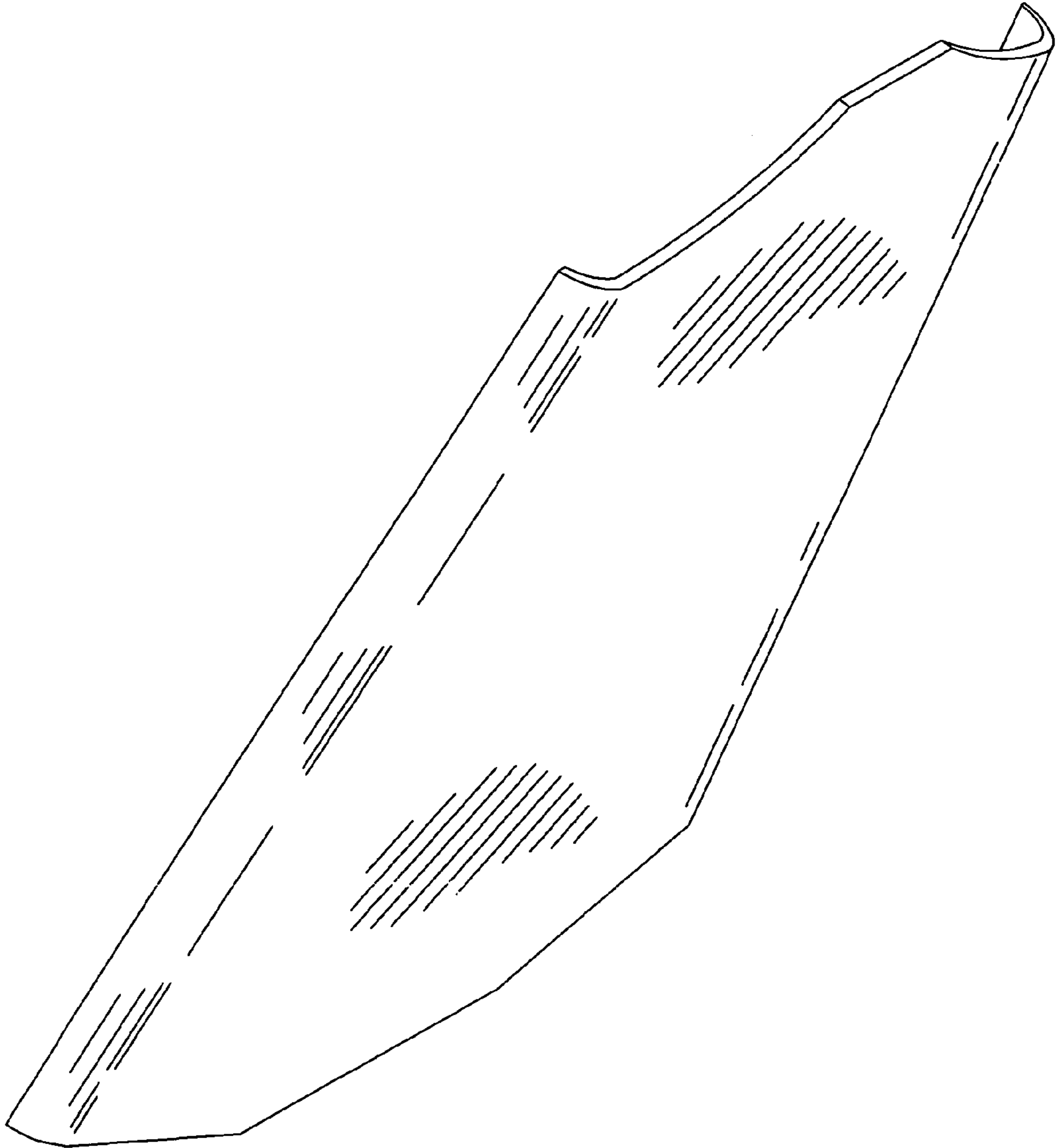


FIG 3

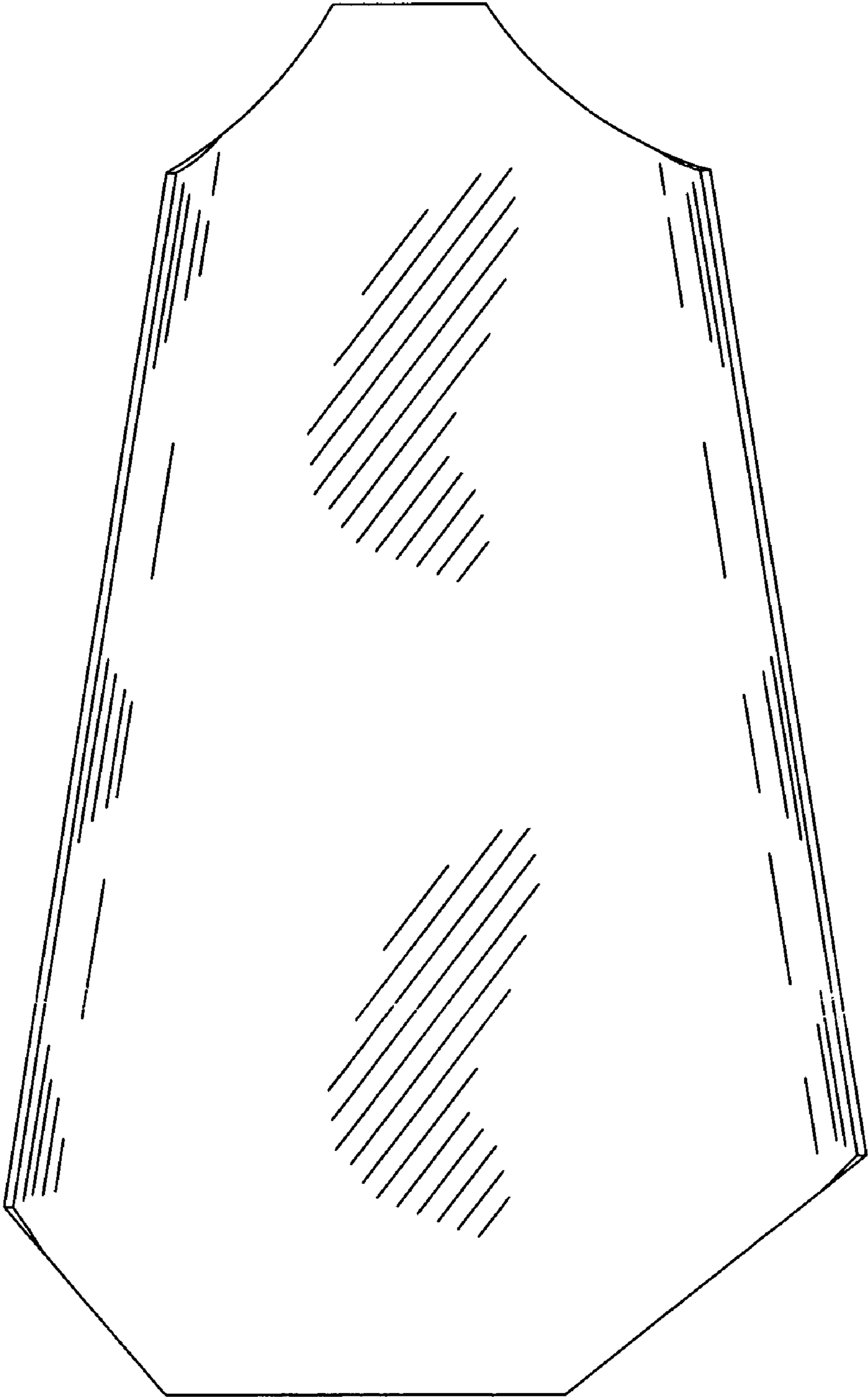


FIG 4

