



US00D637523S

(12) **United States Design Patent**
Sugimoto et al.

(10) **Patent No.:** **US D637,523 S**

(45) **Date of Patent:** **** May 10, 2011**

(54) **MOTORCYCLE**

(75) Inventors: **Hideo Sugimoto**, Hamamatsu (JP);
Yasuhiro Nikaido, Hamamatsu (JP)

(73) Assignee: **Suzuki Motor Corporation**,
Shizuoka-Pref (JP)

(**) Term: **14 Years**

(21) Appl. No.: **29/338,515**

(22) Filed: **Jun. 12, 2009**

(51) **LOC (9) Cl.** **12-11**

(52) **U.S. Cl.** **D12/110**

(58) **Field of Classification Search** D12/110;
180/219, 220

See application file for complete search history.

(56) **References Cited**

U.S. PATENT DOCUMENTS

D384,601 S	10/1997	Hiruma et al.	
D385,226 S	10/1997	Mogi et al.	
D387,017 S	12/1997	Wakita et al.	
D392,601 S *	3/1998	Ban et al.	D12/110
D394,027 S *	5/1998	Ban et al.	D12/110
D395,621 S *	6/1998	Nishino	D12/110
D419,922 S	2/2000	Yamase et al.	
D439,868 S *	4/2001	Sugimoto	D12/110
D440,189 S *	4/2001	Ban et al.	D12/110
D470,799 S *	2/2003	Yamaguchi et al.	D12/110
D513,481 S	1/2006	Lin	
D522,925 S *	6/2006	Nishino	D12/110
D523,783 S	6/2006	Sugimoto	
D525,919 S *	8/2006	Sugimoto	D12/110
D572,629 S *	7/2008	Kawagishi	D12/110
D581,840 S	12/2008	Ichihara et al.	

D583,714 S	12/2008	Ichihara et al.	
D588,504 S *	3/2009	Kawagishi	D12/110
D590,302 S	4/2009	Tanaka et al.	
D604,204 S *	11/2009	Uchiyama	D12/110
D610,044 S *	2/2010	Sugimoto	D12/110

* cited by examiner

Primary Examiner — Susan M Lee

Assistant Examiner — Linda Brooks

(74) *Attorney, Agent, or Firm* — Lando & Anastasi, LLP

(57) **CLAIM**

The ornamental design for a motorcycle, as shown and described.

DESCRIPTION

FIG. 1 is a front elevational view of the motorcycle according to our new design.

FIG. 2 is a rear elevational view.

FIG. 3 is a top plan view.

FIG. 4 is a right side elevational view of the motorcycle of FIG. 1.

FIG. 5 is a left side elevational view.

FIG. 6 is a front perspective view as seen from the right side of FIG. 1.

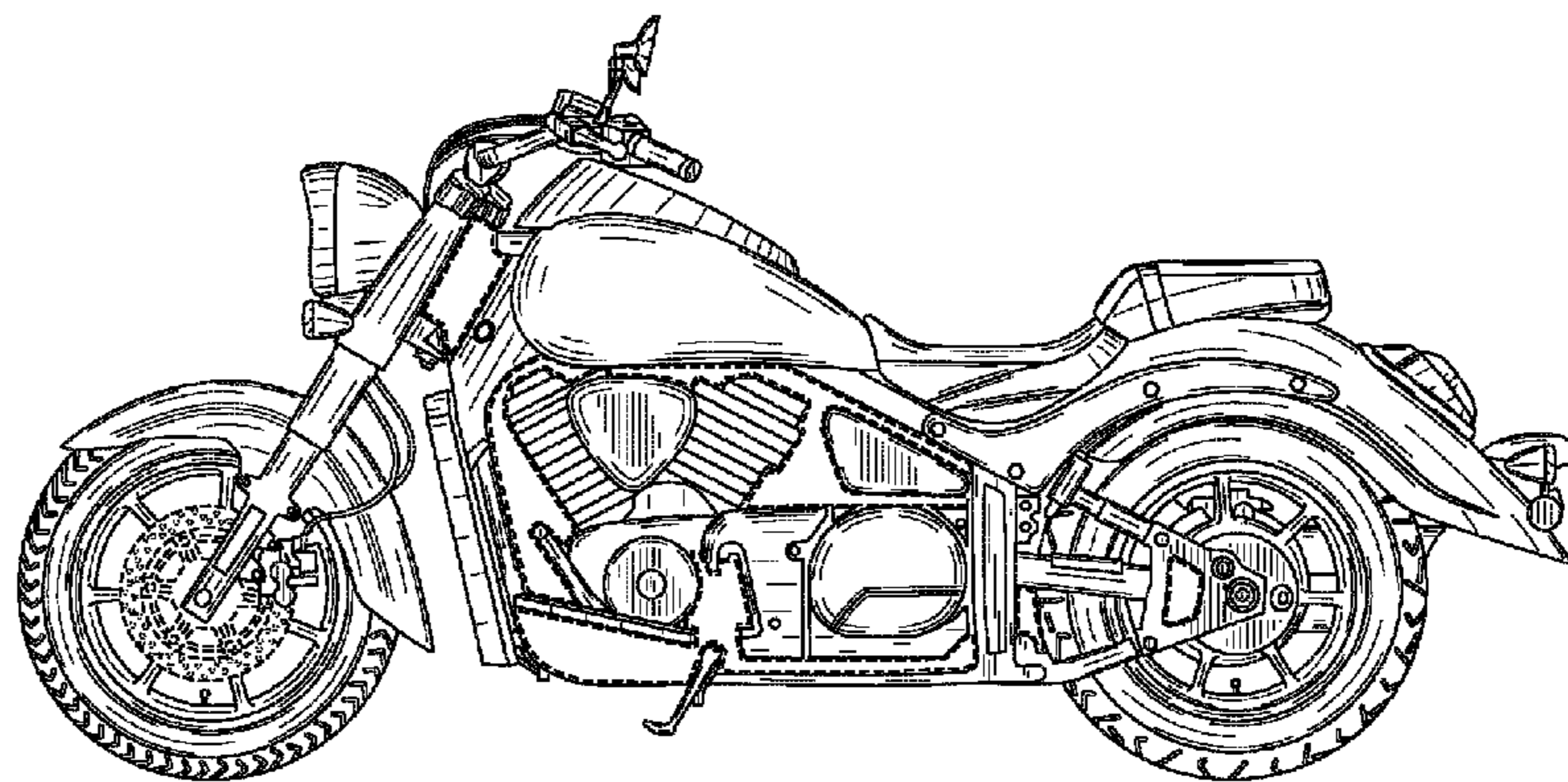
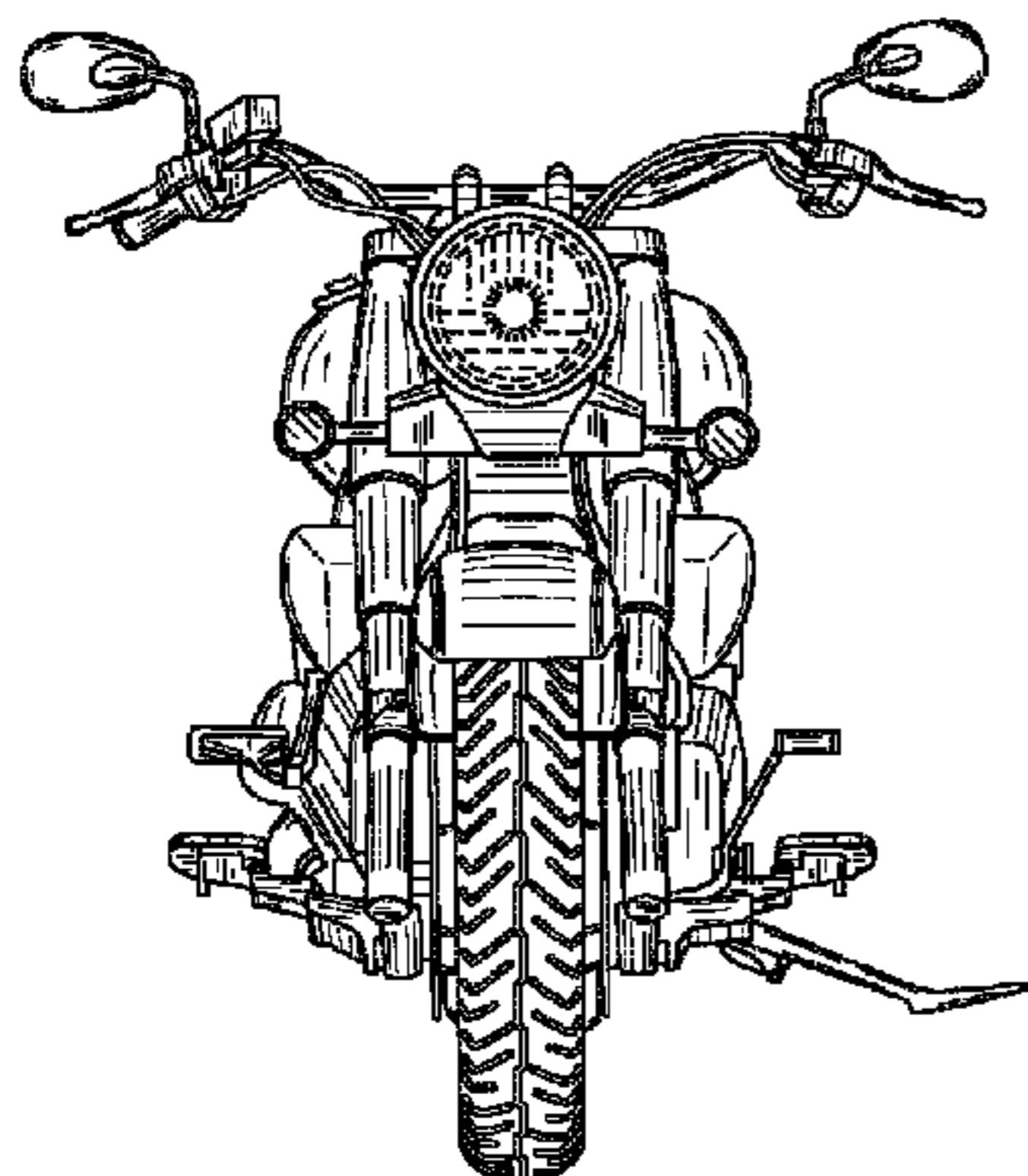
FIG. 7 is a rear perspective view as seen from the right side of FIG. 1.

FIG. 8 is a front perspective view as seen from the left side of FIG. 1; and,

FIG. 9 is a rear perspective view as seen from the right side of FIG. 1.

The broken lines illustrate portions of the motorcycle that form no part of the claimed design.

1 Claim, 8 Drawing Sheets



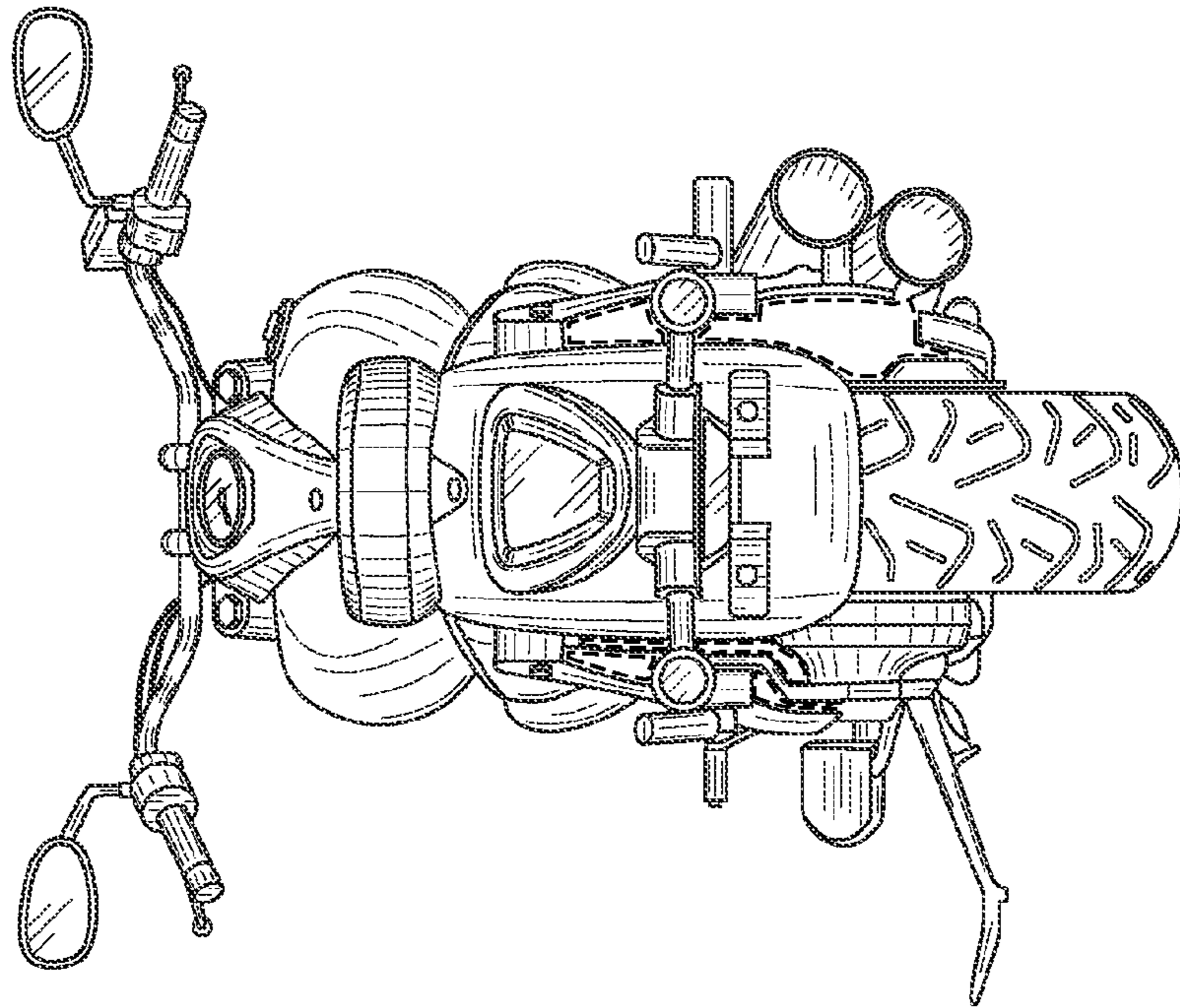


FIG. 1

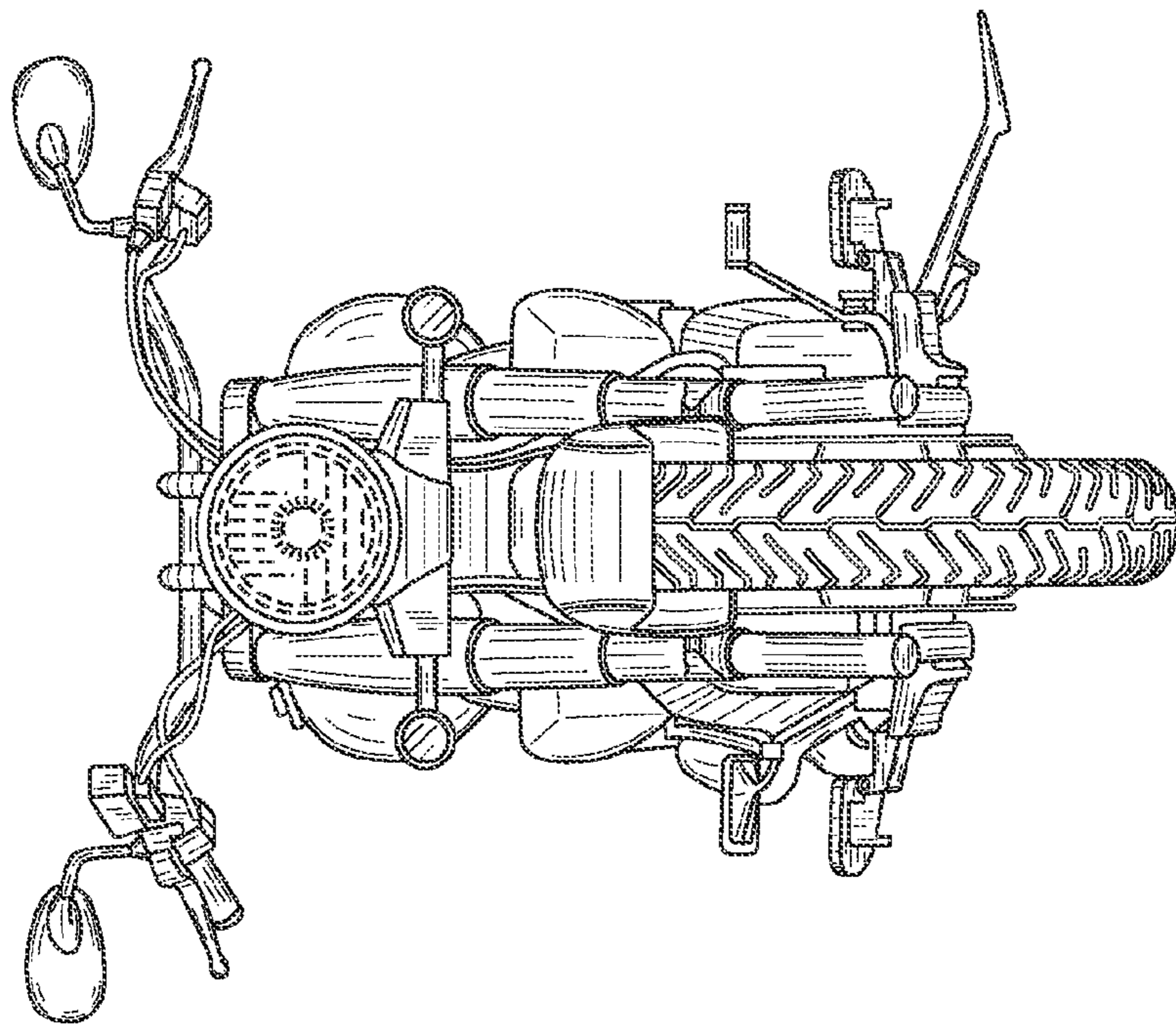


FIG. 2

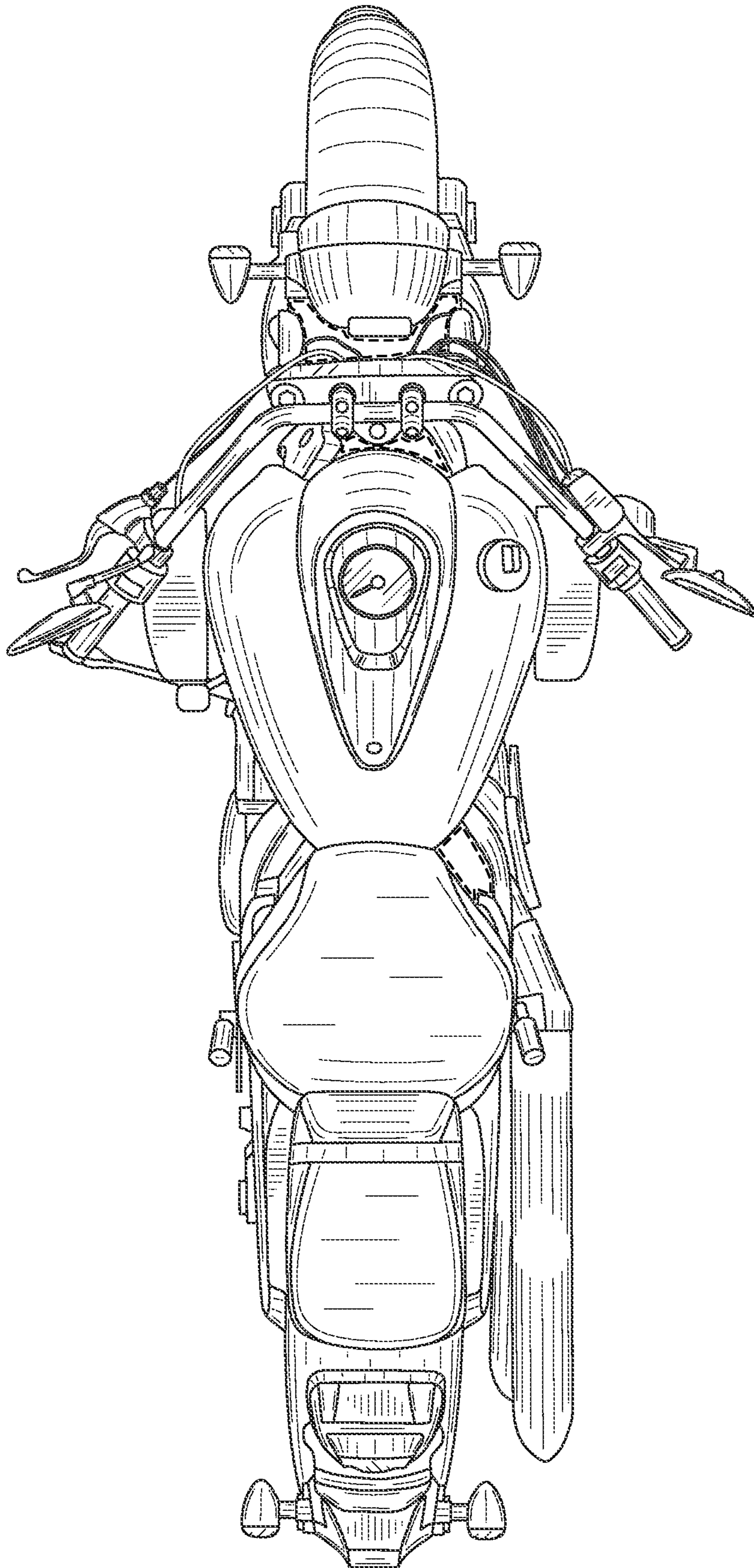


FIG. 3

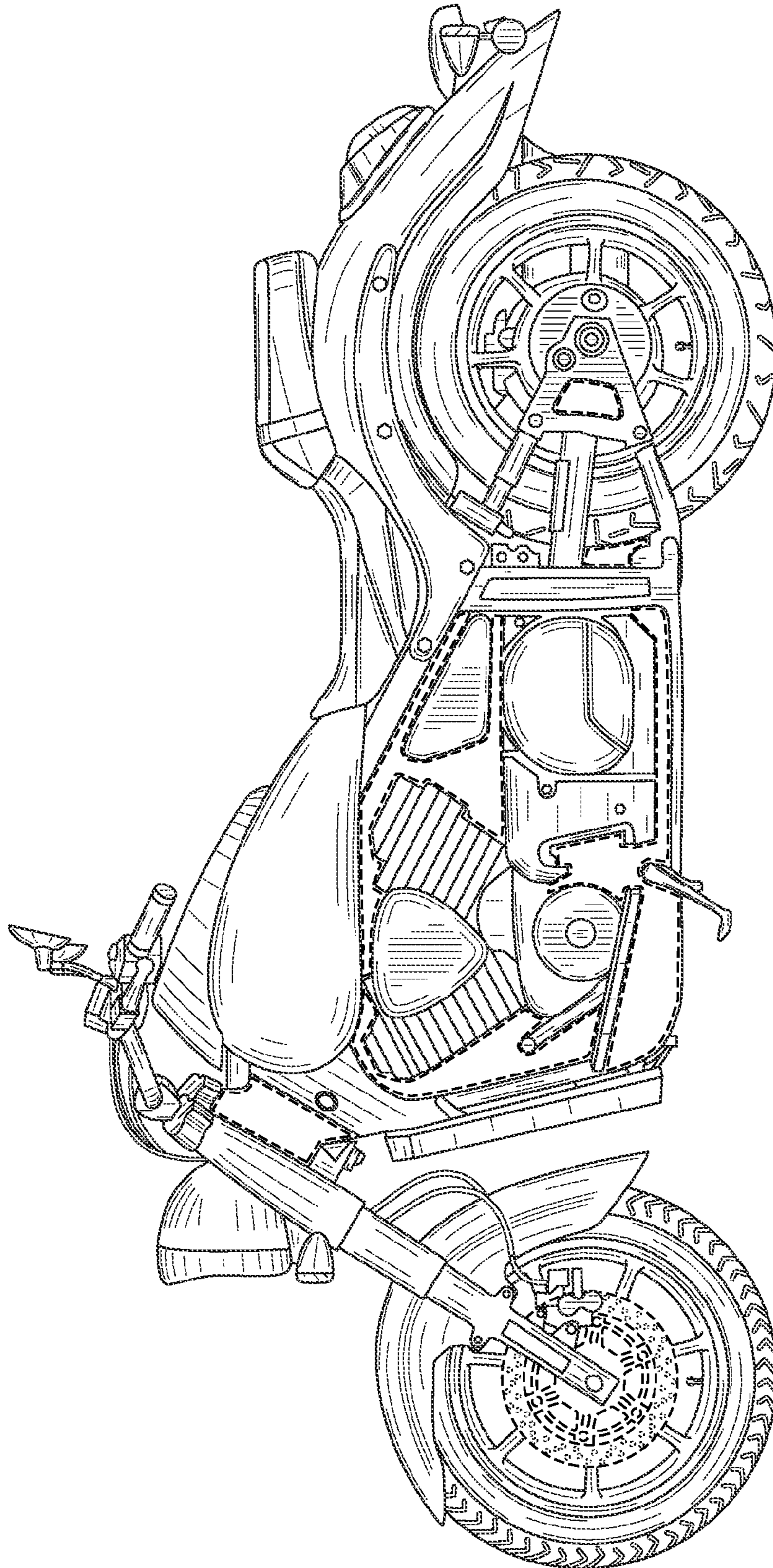


FIG. 4

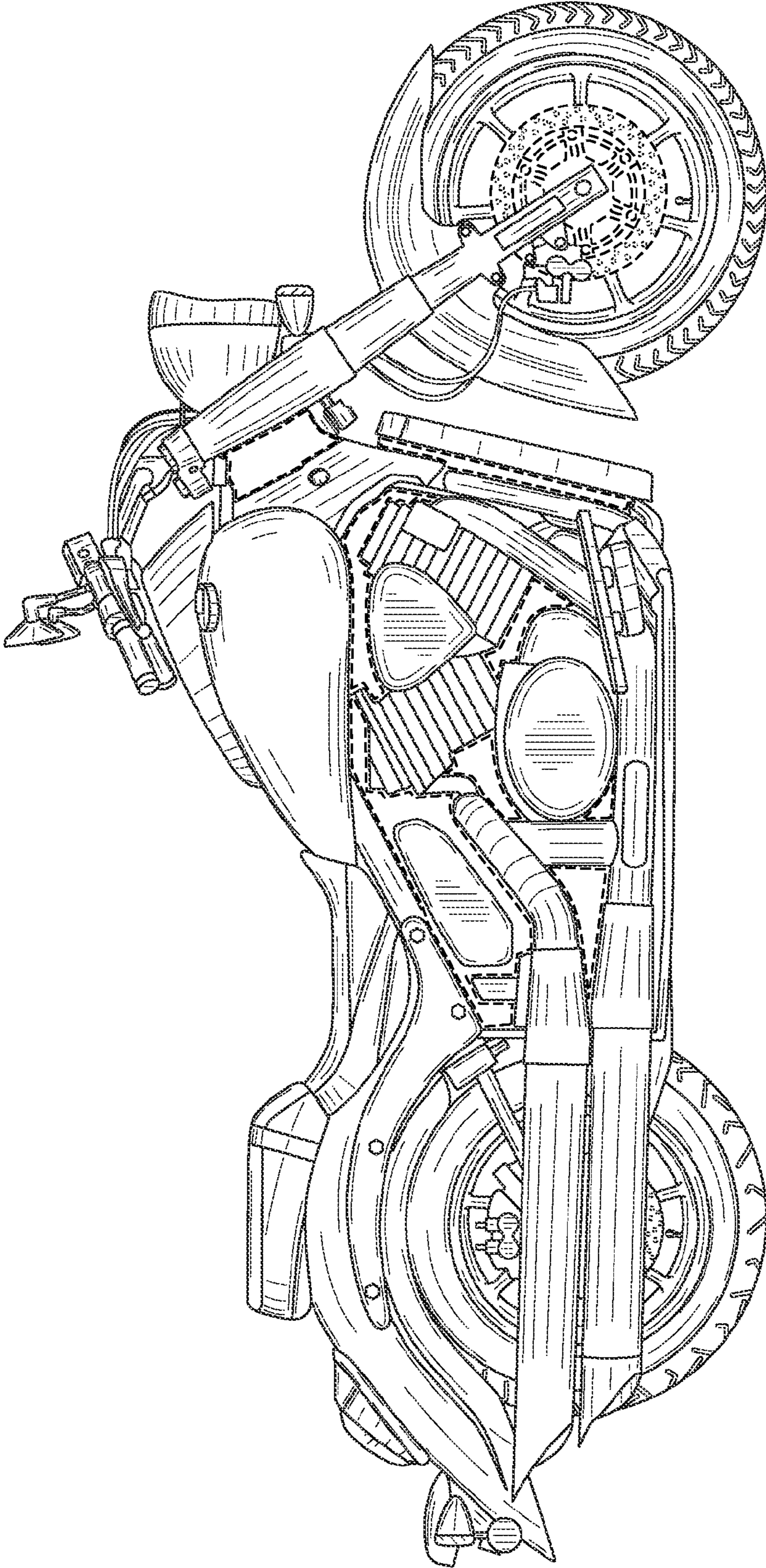


FIG. 5

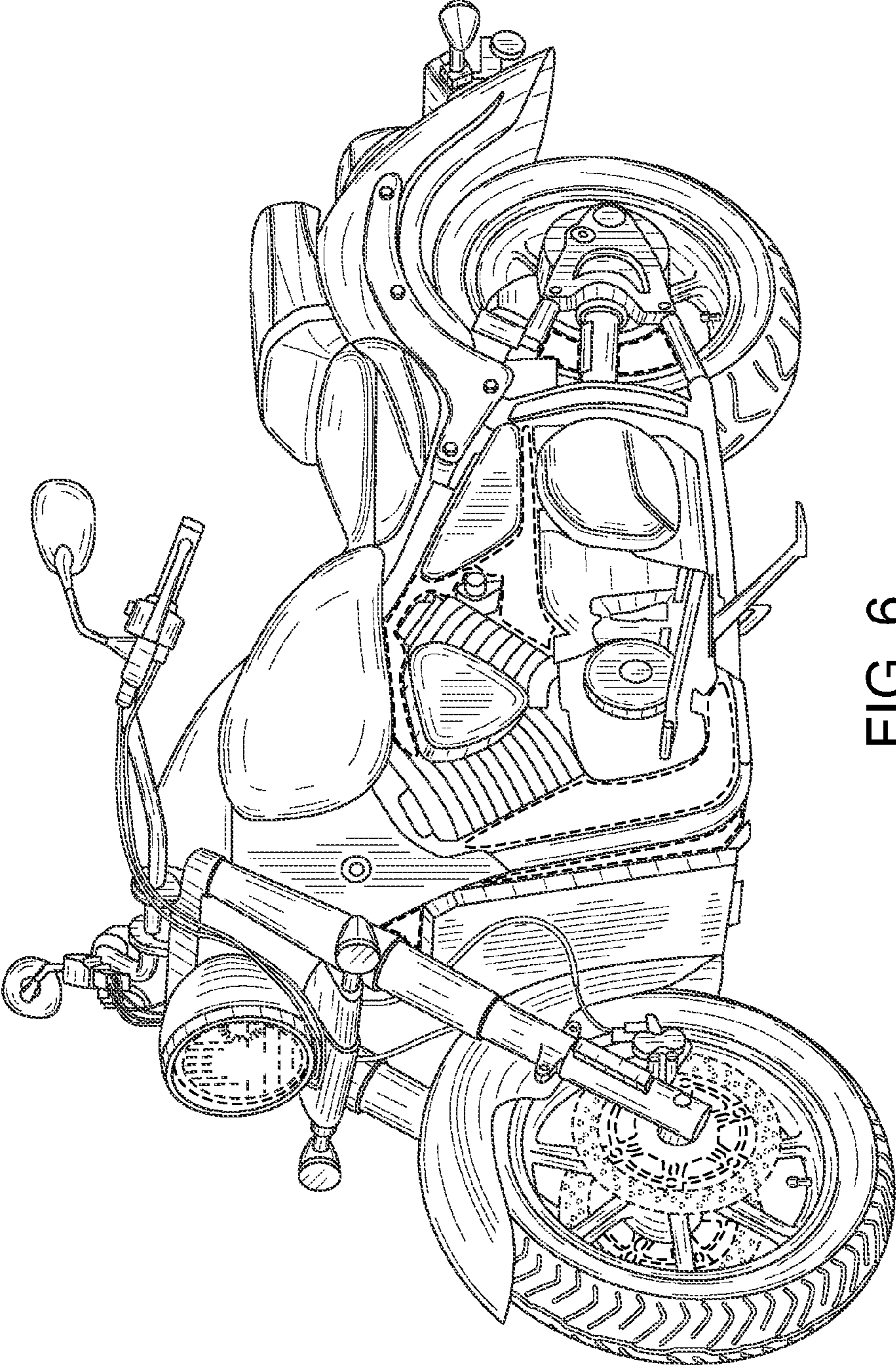


FIG. 6

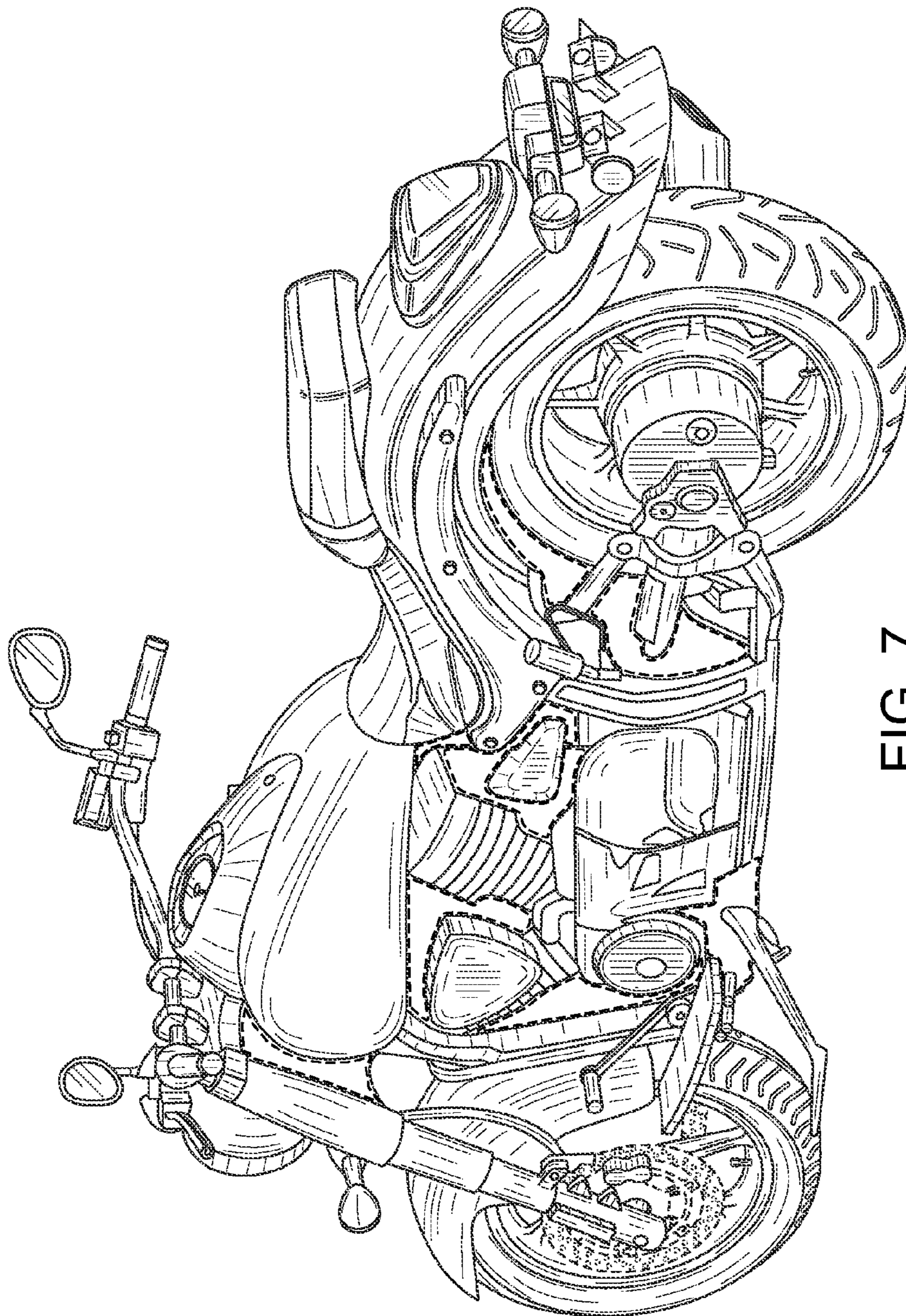


FIG. 7

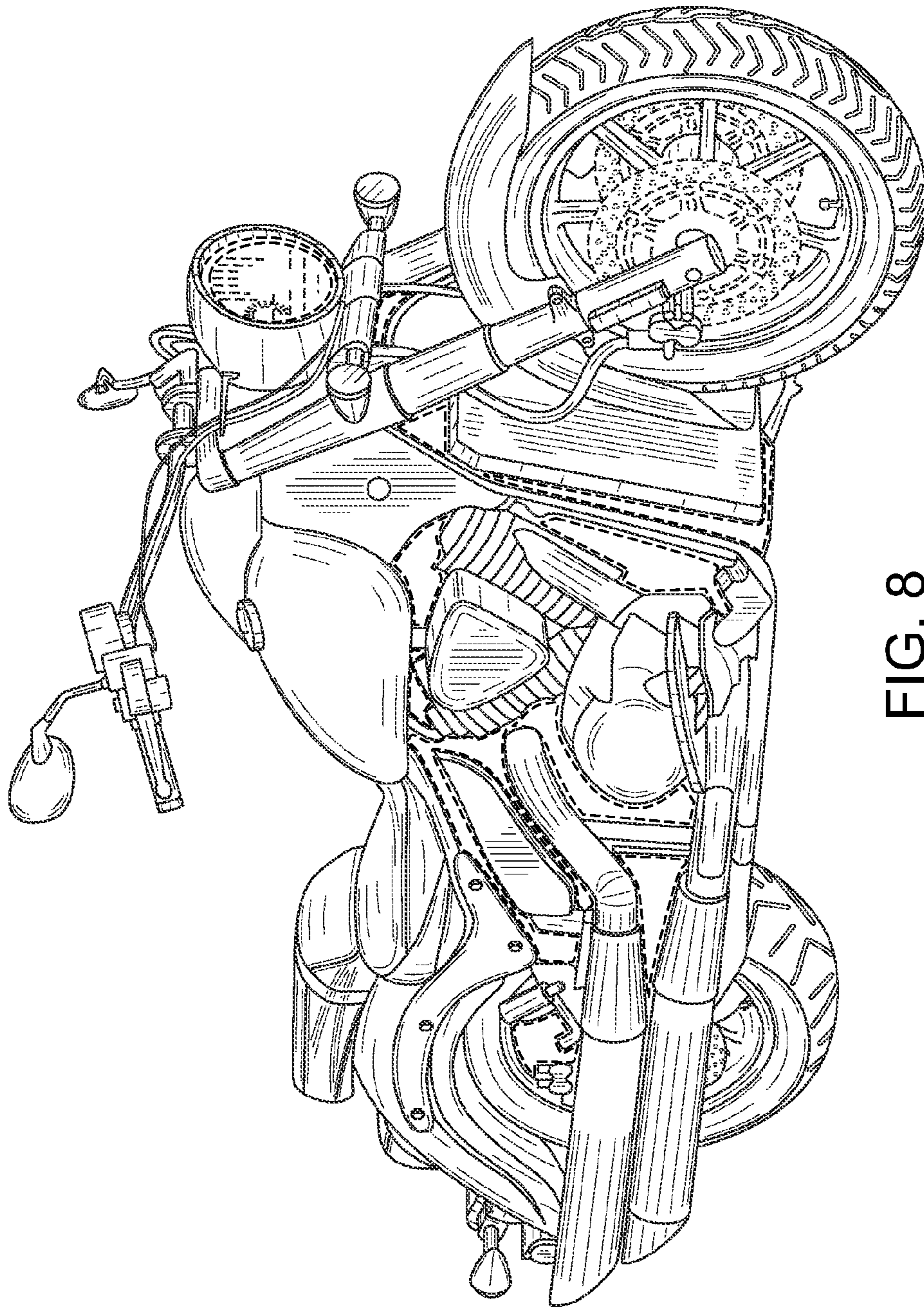


FIG. 8

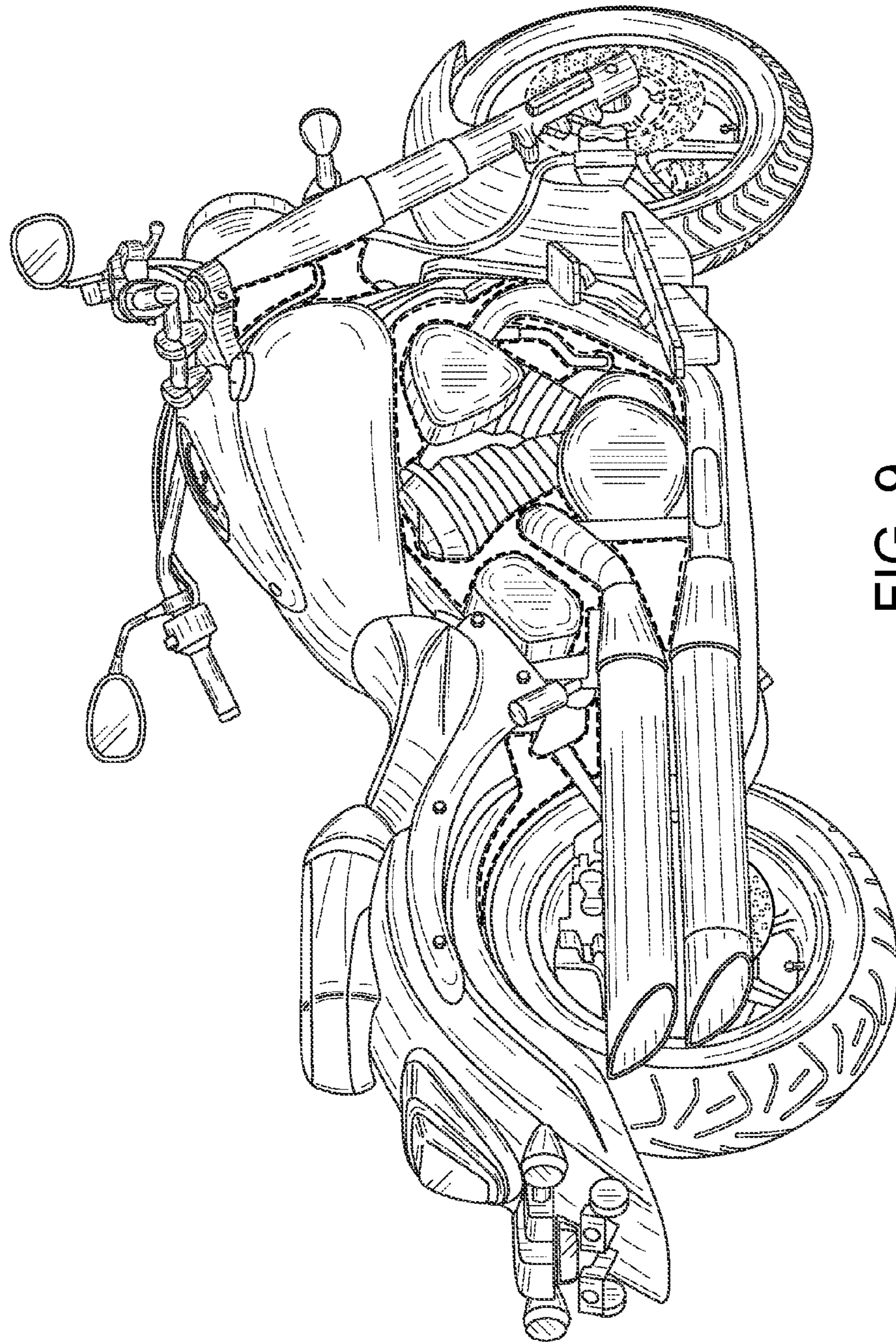


FIG. 9